



**Malaguti**  
IDEE IN MOTO

# F 12 AC RESTYLING KAT EURO 2 (2006 - ZJM 46)



TELAIO - INDICE TAVOLE

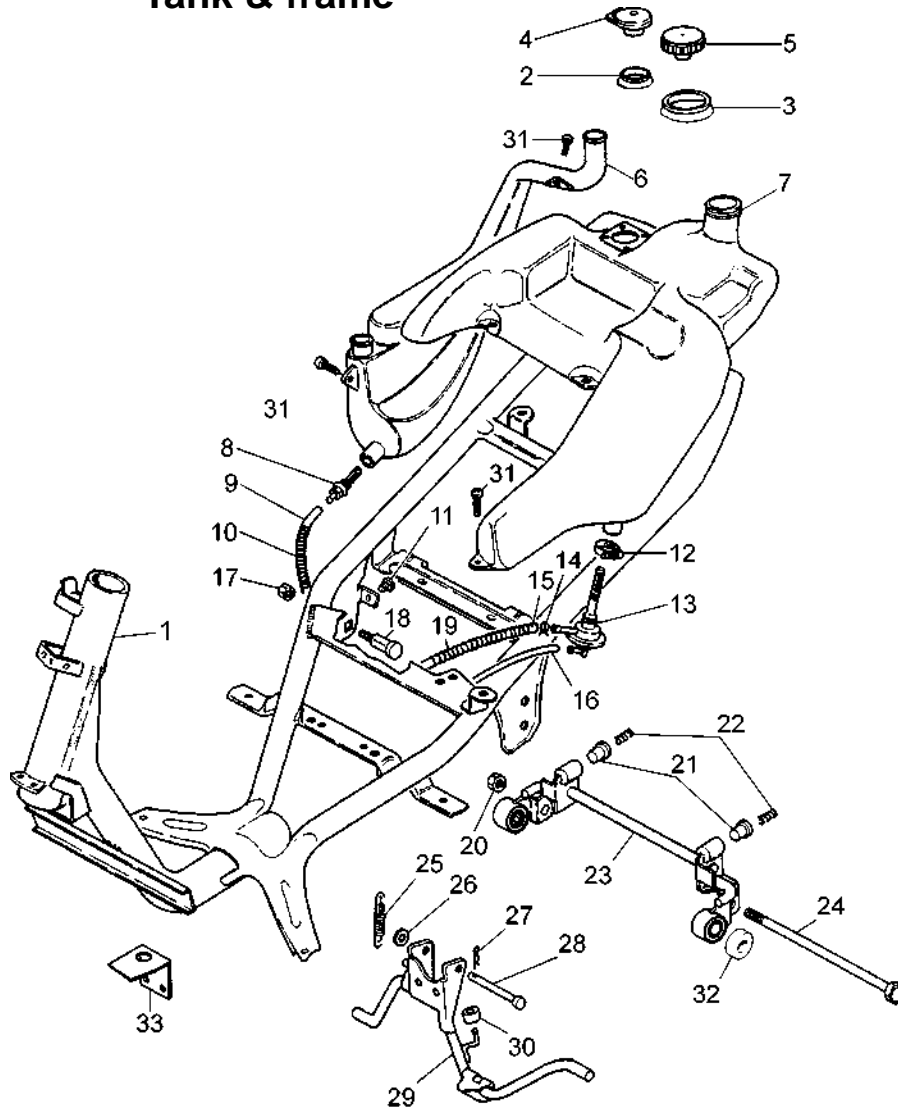
FRAME - INDEX OF THE TABLES

TAV. A 	TAV. C - D 	TAV. E 	TAV. F 	TAV. G 
TAV. H 	TAV. I 	TAV. L 	TAV. M 	TAV. N 
TAV. OO 	TAV. O 			

MOTORE - INDICE TAVOLE

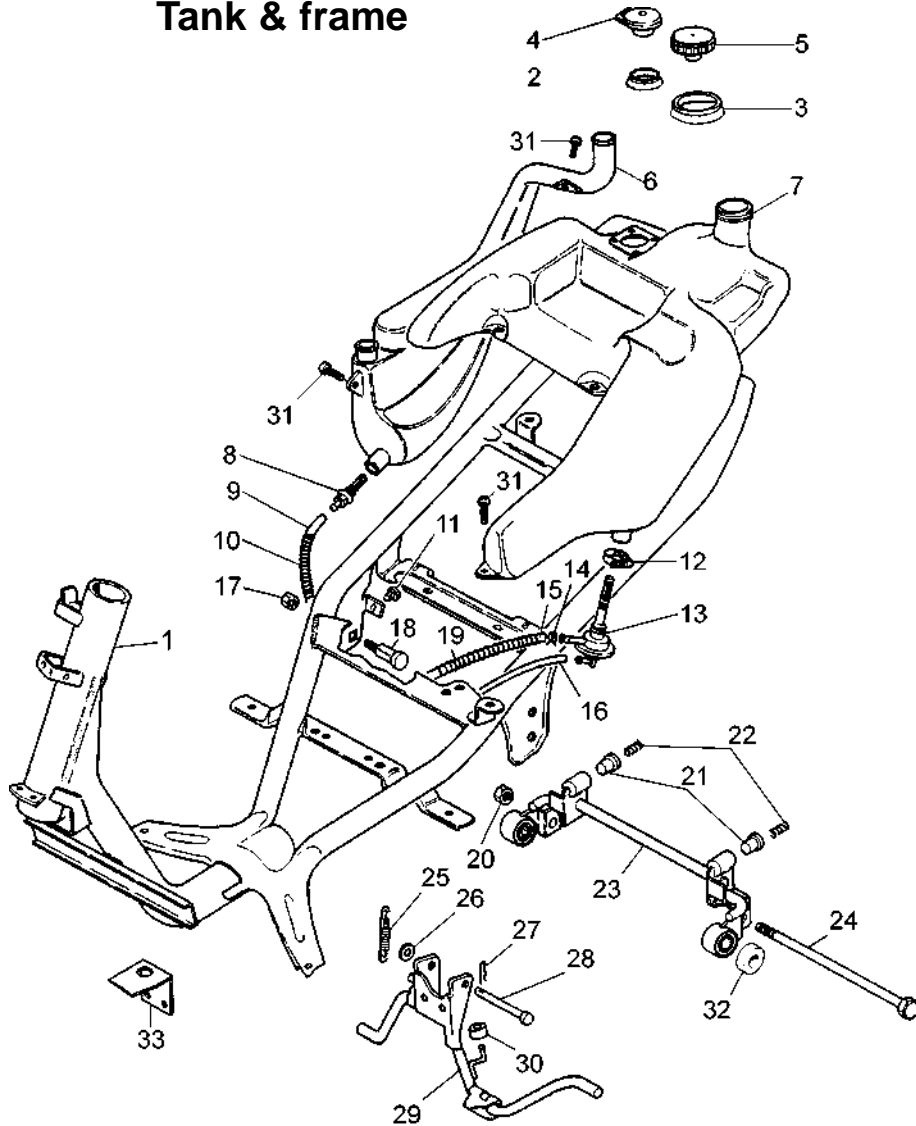
ENGINE - INDEX OF THE TABLES

TAV. R 	TAV. R1 			
------------	-------------	--	--	--

**Telaio e serbatoio**
**Tank & frame**


Nr.	Codice	Q.tà	Descrizione
1	156.096.99	1	Telaio
2	071.441.03	1	Coperchio tappo serbatoio olio
3	071.442.03	1	Coperchio tappo serbatoio benzina
4	071.144.00	1	Tappo serbatoio olio
5	092.016.03	1	Tappo serbatoio benzina
6	069.014.00	1	Serbatoio olio
7	161.060.00	1	Serbatoio benzina
8	094.007.00	1	Raccordo olio
9	180.003.54	1	Tubo olio
10	147.102.13	1	Molla tubo olio
11	072.066.03	2	Gommino antivibrante
12	167.031.00	1	Fascetta stringitubo
13	093.045.00	1	Rubinetto benzina
14	167.018.13	6	Fascetta tubo benzina
15	180.010.50	1	Tubo benzina Ø 5
16	180.003.60	1	Tubo benzina Ø 4
17	185.012.00	2	Dado fulcro bilanciere
18	190.020.13	2	Perno supporto motore
19	147.080.13	1	Molla tubo benzina
20	185.011.00	1	Dado fulcro motore
21	080.010.00	2	Portamolla
22	147.106.14	2	Molla antivibrazione
23	174.020.99	1	Attacco motore completo
24	190.019.13	1	Perno motore
25	147.109.13	1	Molla cavalletto doppia

Nr.	Code	Q.ty	Description
1	156.096.99	1	Frame
2	071.441.03	1	Oil tank cap cover
3	071.442.03	1	Fuel tank cap cover
4	071.144.00	1	Oil tank cap
5	092.016.03	1	Fuel tank cap
6	069.014.00	1	Oil tank
7	161.060.00	1	Fuel tank
8	094.007.00	1	Oil pipe connector
9	180.003.54	1	Oil pipe
10	147.102.13	1	Oil pipe spring
11	072.066.03	2	Rubber grommet
12	167.031.00	1	Clamp
13	093.045.00	1	Fuel cock
14	167.018.13	6	Petrol pipe clamp
15	180.010.50	1	Fuel hose Ø 5
16	180.003.60	1	Fuel hose Ø 4
17	185.012.00	2	Engine mount fixing nut
18	190.020.13	2	Engine mount bolt
19	147.080.13	1	Pipe spring
20	185.011.00	1	Lower engine mount nut
21	080.010.00	2	Full bump spring cup
22	147.106.14	2	Full bump spring
23	174.020.99	1	Engine mount bracket
24	190.019.13	1	Lower engine mount bolt
25	147.109.13	1	Main stand spring

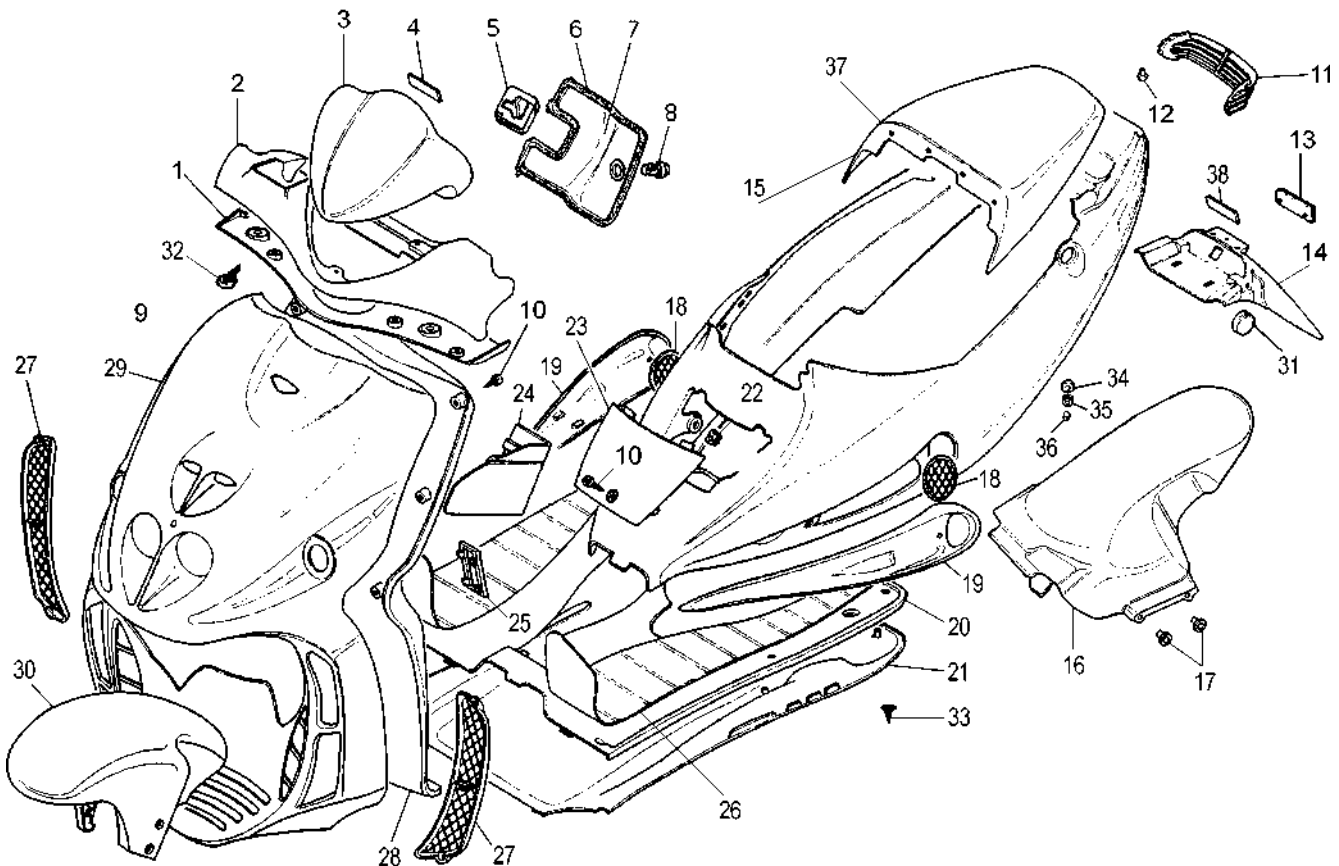
**Telaio e serbatoio**
**Tank & frame**


Nr.	Codice	Q.tà	Descrizione
26	071.140.03	1	Rondella in gomma
27	184.011.00	1	Copiglia
28	150.177.15	1	Perno cavalletto
29	158.040.99	1	Cavalletto completo
30	072.064.00	1	Gommino paracolpi cavalletto
31	184.060.15	3	Viti fissaggio serbatoio
32	191.025.13	1	Scodellino
33	191.062.13	1	Piastra valvola aria
--	090.028.00	1	Kit serrature

Nr.	Code	Q.ty	Description
26	071.140.03	1	Main stand washer
27	184.011.00	1	Split pin
28	150.177.15	1	Main stand pivot pin
29	158.040.99	1	Main stand assy
30	072.064.00	1	Main stand bump stop
31	184.060.15	3	Fuel tank fixing screws
32	191.025.13	1	Cap
33	191.062.13	1	Plate
--	090.028.00	1	Lock set

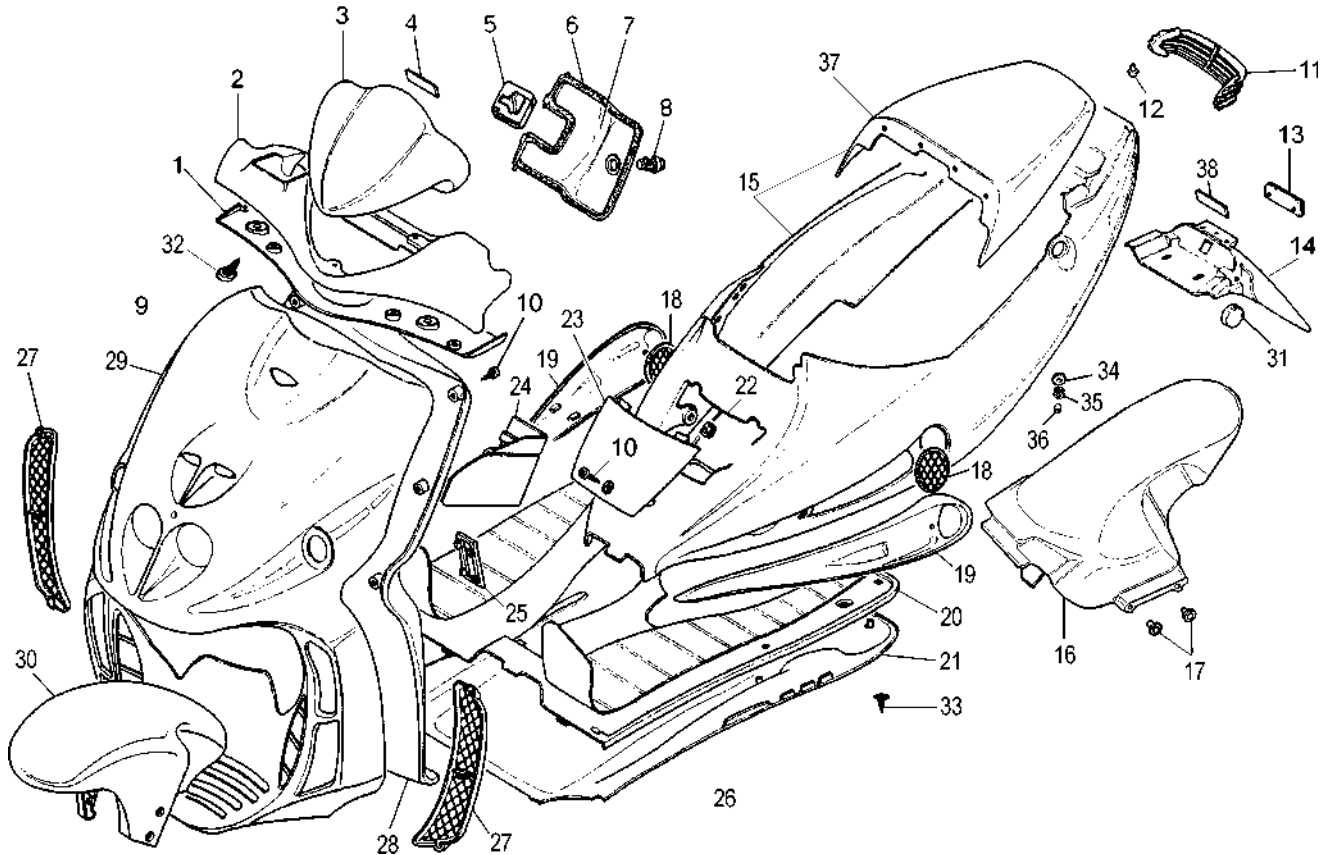
## Carrozzeria anteriore e posteriore

## Front & rear body



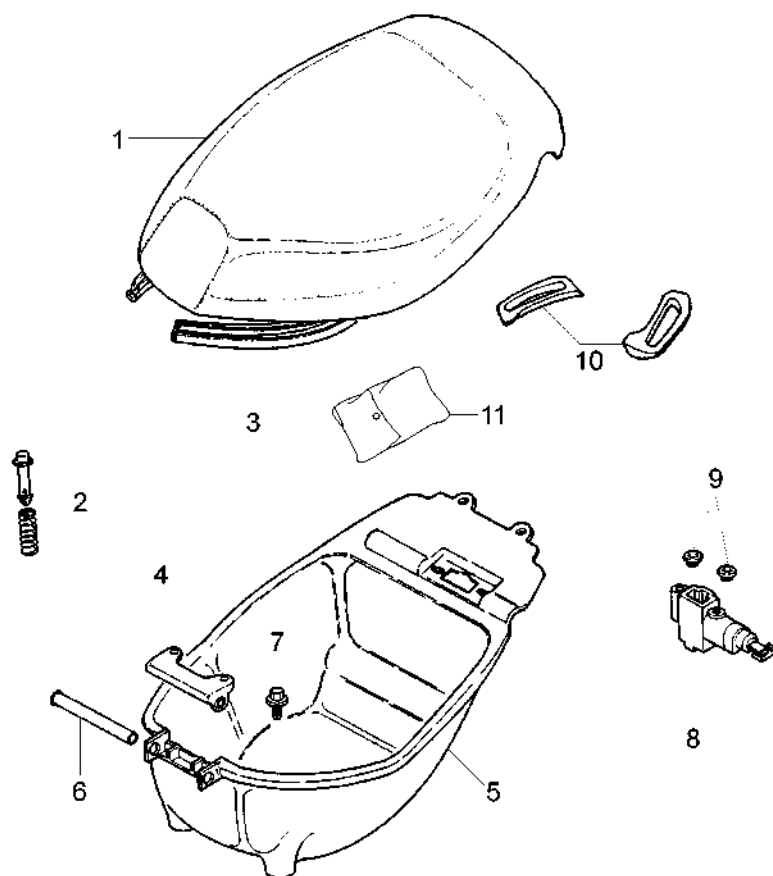
Nr.	Codice	Q.tà	Descrizione
1	071.184.03	1	Coprimanubrio inferiore
2	071.183. --	1	Coprimanubrio superiore *
3	067.024.03	1	Portastrumenti
4	181.090.00	1	Etichetta in resina
5	071.182.03	1	Gancio porta borsa
6	072.067.00	1	Guarnizione coperchio batteria
7	071.185.03	1	Coperchio bauletto
8	090.024.00	1	Serratura coperchio batteria
9	181.338.00	1	Marca scudo
10	184.041.15	16	Viti scudo paragambe
11	071.443.03	1	Griglia fanalino posteriore
12	071.152.03	4	Paracolpi
13	071.322.00	1	Catadiottro
14	057.055.03	1	Codino parafango
15	063.210. --	1	Carena posteriore con codino *
16	056.063.07	1	Copri ruota posteriore
17	150.148.14	2	Boccola
18	071.192.03	1	Kit griglie carena
19	071.444.03	1	Prese d' aria in coppia
20	064.030.03	1	Pedana in plastica
21	063.227. --	1	Puntone *
22	184.007.00	14	Clips viti autofilettanti
23	071.186.03	1	Coperchio carena
24	071.187.03	1	Coperchio batteria
25	071.145.03	1	Coperchio numeri telaio
26	064.027.03	1	Pedana in gomma in coppia
27	071.192.03	1	Kit griglie scudo

Nr.	Code	Q.ty	Description
1	071.184.03	1	Handlebar cover (lower)
2	071.183. --	1	Handlebar cover (upper) *
3	067.024.03	1	Clock top cover
4	181.090.00	1	Dashboard label
5	071.182.03	1	Bag handle
6	072.067.00	1	Battery cover gasket
7	071.185.03	1	Glove box cover
8	090.024.00	1	Glove box lock
9	181.338.00	1	Front shield label *
10	184.041.15	16	Fairing screw
11	071.443.03	1	Rear lens grille
12	071.152.03	4	Grommet
13	071.322.00	1	Red reflector
14	057.055.03	1	Rear mudguard tail
15	063.210. --	1	Rear fairing with seat tail *
16	056.063.07	1	Rear mudguard
17	150.148.14	2	Rear hugger fixing bolts
18	071.192.03	1	Grille set
19	071.444.03	1	Air intake grilles
20	064.030.03	1	Foot board panel
21	063.227. --	1	Belly pan *
22	184.007.00	14	Fairing fixing clips
23	071.186.03	1	Inspection cover
24	071.187.03	1	Battery cover
25	071.145.03	1	VIN numbers inspection cover
26	064.027.03	1	Mat set
27	071.192.03	1	Grille set

**Carrozzeria anteriore e posteriore**
**Front & rear body**


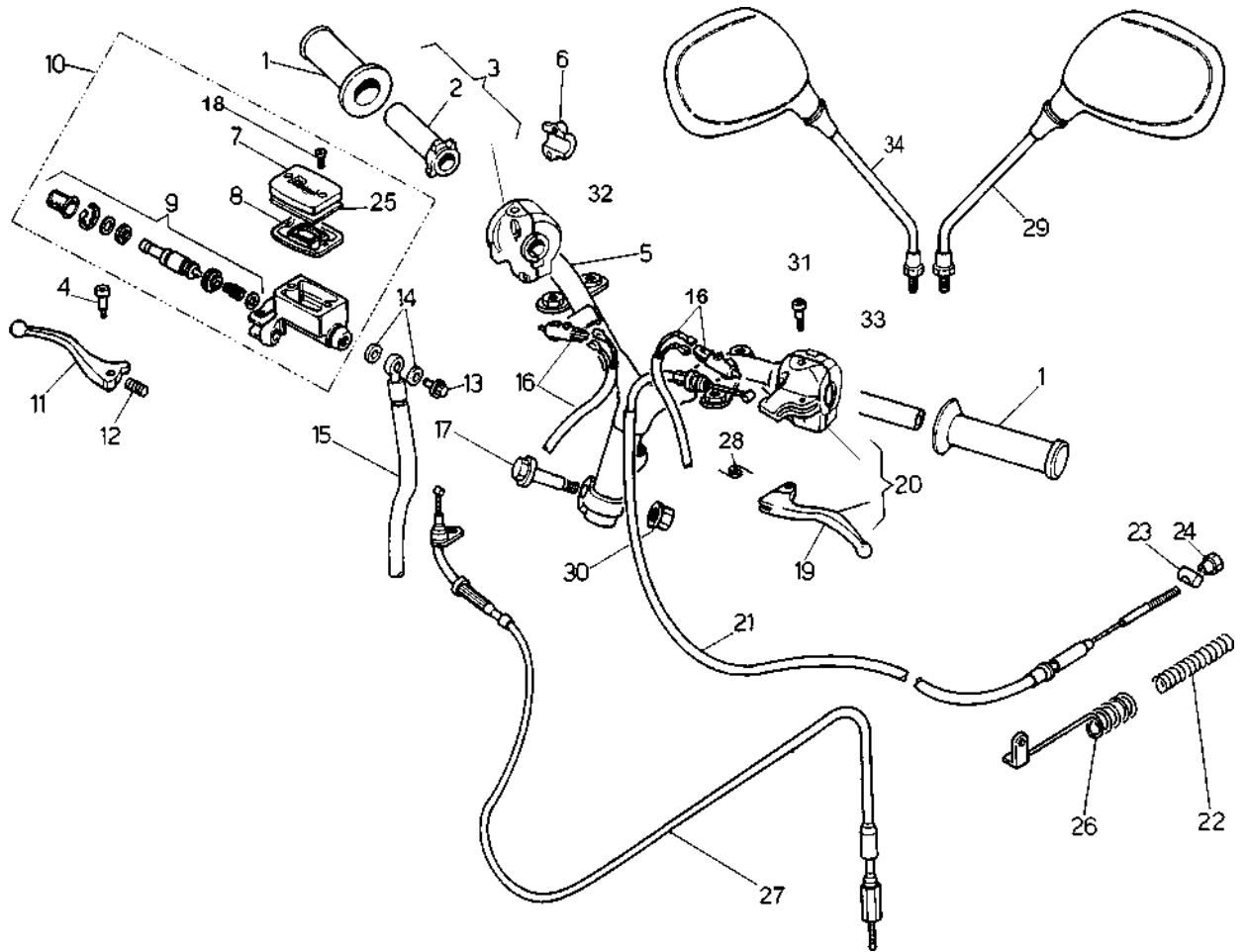
Nr.	Codice	Q.tà	Descrizione
28	065.044.03	1	Paragambe
29	066.120. --	1	Scudo anteriore *
30	055.058. --	1	Parafango anteriore *
31	071.225.00	2	Catadiottro ambra
32	184.071.15	4	Vite autofilettante coprimanubrio
33	184.155.15	6	Vite pedana - carena
34	072.087.00	4	Rondella speciale
35	080.002.07	2	Gommino
36	150.043.00	2	Distanziale
37	063.217. --	1	Codino sella *
38	181.400.00	1	Etichetta resina
--	181.303. --	1	Sr. marche <b>PHANTOM</b> *
--	181.361.95	1	Sr. marche <b>BLACK R. LIFE</b> *
--	181.389.00	1	Sr. marche <b>CAPIREX</b> *
--	181.403.00	1	Sr. marche <b>MOTO GP</b> *
--	181.404.00	1	Sr. marche <b>SILVER R. LIFE</b> *
--	181.448.00	1	Sr. marche <b>TRIBAL</b> *
--	181.361.12	1	Sr. marche scudo <b>BLACK R. LIFE</b> *
--	181.361.22	1	Sr. marche carena <b>BLACK R. LIFE</b> *
--	181.389.12	1	Sr. marche scudo <b>CAPIREX</b> *
--	181.389.22	1	Sr. marche carena <b>CAPIREX</b> *
--	181.404.12	1	Sr. marche scudo <b>SILVER R. LIFE</b> *
--	181.404.22	1	Sr. marche carena <b>SILVER R. LIFE</b> *
--	181.448.12	1	Sr. marche scudo <b>TRIBAL</b> *
--	181.448.22	1	Sr. marche carena <b>TRIBAL</b> *
--	181.448.32	1	Sr. marche coprimanubrio <b>TRIBAL</b> *
--	181.448.42	1	Sr. marche puntone <b>TRIBAL</b> *
--	181.448.52	1	Sr. marche parafango ant. <b>TRIBAL</b> *

Nr.	Code	Q.ty	Description
28	065.044.03	1	Front inner shield
29	066.120. --	1	Front shield *
30	055.058. --	1	Front mudguard *
31	071.225.00	2	Amber reflector
32	184.071.15	4	Handlebar cover screw
33	184.155.15	6	Footboard bolt
34	072.087.00	4	Washer
35	080.002.07	2	Grommet
36	150.043.00	2	Spacer
37	063.217. --	1	Seat back *
38	181.400.00	1	Label
--	181.303. --	1	<b>PHANTOM</b> label set *
--	181.361.95	1	<b>BLACK R. LIFE</b> label set *
--	181.389.00	1	<b>CAPIREX</b> label set *
--	181.403.00	1	<b>MOTO GP</b> label set *
--	181.404.00	1	<b>SILVER R. LIFE</b> label set *
--	181.448.00	1	<b>TRIBAL</b> label set *
--	181.361.12	1	<b>BLACK R. LIFE</b> shield label set *
--	181.361.22	1	<b>BLACK R. LIFE</b> fairing label set *
--	181.389.12	1	<b>CAPIREX</b> shield label set *
--	181.389.22	1	<b>CAPIREX</b> fairing label set *
--	181.404.12	1	<b>SILVER R. LIFE</b> shield label set *
--	181.404.22	1	<b>SILVER R. LIFE</b> fairing label set *
--	181.448.12	1	<b>TRIBAL</b> shield label set *
--	181.448.22	1	<b>TRIBAL</b> fairing label set *
--	181.448.32	1	<b>TRIBAL</b> handlebar cover label set *
--	181.448.42	1	<b>TRIBAL</b> belly pan label set *
--	181.448.52	1	<b>TRIBAL</b> front fender label set *

**Vano casco e gruppo sella**
**Seat & helmet case**


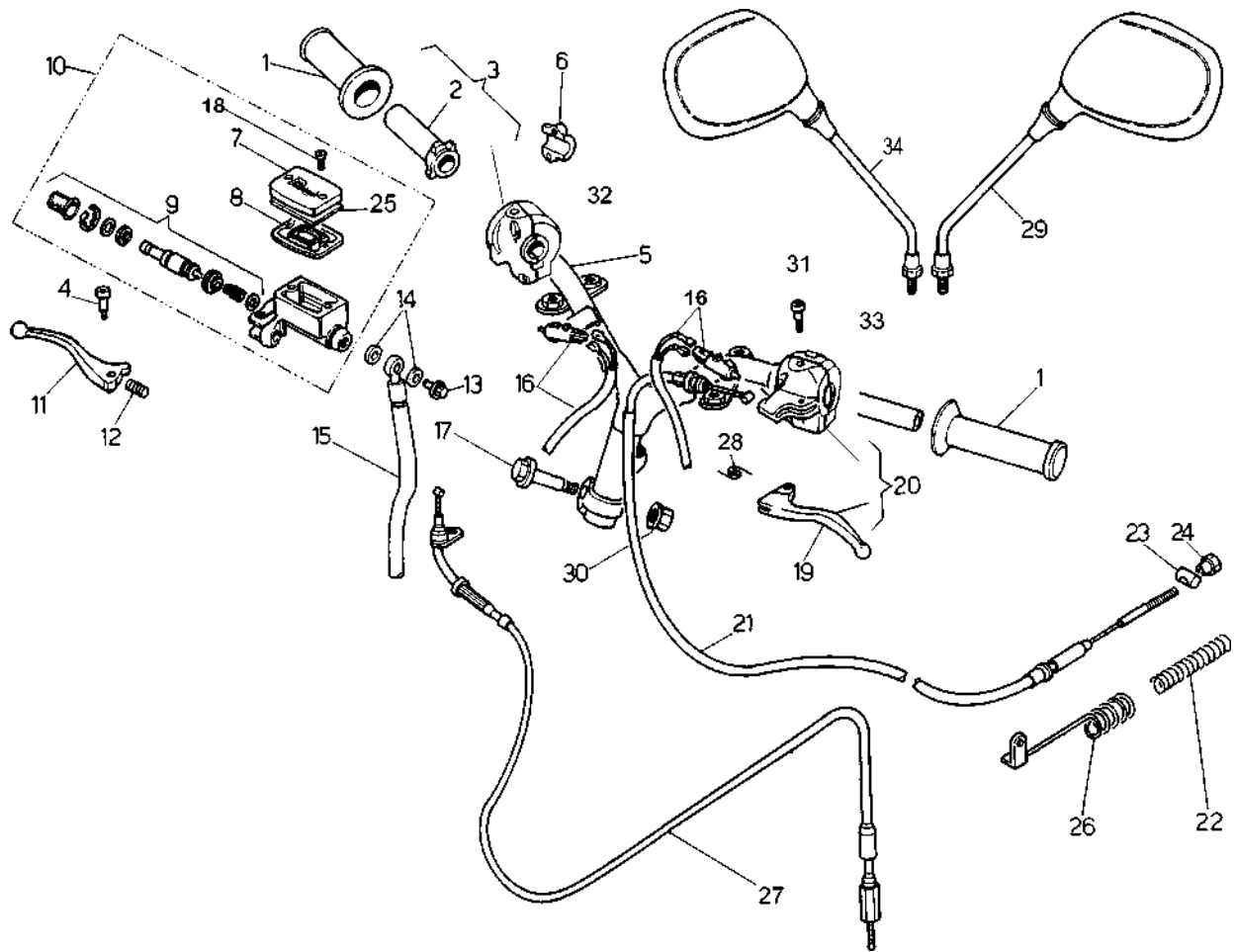
Nr.	Codice	Q.tà	Descrizione
1	106.092.03	1	Sellone
1	106.092.11	1	Sellone <b>MOTO GP</b>
2	071.373.00	1	Push-up apertura sella
3	072.061.03	1	Guarnizione sella
4	188.040.99	1	Supporto sella
5	065.082.03	1	Vano portacasco
6	150.174.13	1	Tubo fulcro sella
7	190.022.00	4	Vite fissaggio vano porta casco
8	090.047.00	1	Serratura sella
9	150.148.14	2	Boccola
10	063.216.03	1	Cp. maniglie sella
11	086.006.14	1	Trousse attrezzi

Nr.	Code	Q.ty	Description
1	106.092.03	1	Seat
1	106.092.11	1	Seat <b>MOTO GP</b>
2	071.373.00	1	Seat push-up
3	072.061.03	1	Seat base seal
4	188.040.99	1	Seat hinge bracket
5	065.082.03	1	Helmet case
6	150.174.13	1	Seat hinge pin
7	190.022.00	4	Fixing bolt
8	090.047.00	1	Seat lock
9	150.148.14	2	Fixing bolt
10	063.216.03	1	Handgrip set
11	086.006.14	1	Tool kit

**Manubrio e comandi**  
**Handlebar & controls**


Nr.	Codice	Q.tà	Descrizione
1	097.014.03	1	Kit manopole (dx + sx)
2	121.134.00	1	Tubo comando gas
3	028.018.00	1	Comando gas completo
4	121.106.00	1	Fulcro leva dx
5	162.032.13	1	Manubrio
6	121.139.00	1	Attacco pompa
7	121.127.00	1	Coperchio pompa
8	121.099.00	1	Guarnizione pompa
9	121.128.00	1	Pistone completo
10	030.016.03	1	Pompa freno completa
11	121.132.03	1	Leva dx
12	121.108.00	1	Molla leva dx
13	150.024.14	1	Vite trasmissione idraulica
14	190.006.00	2	Rasamento
15	033.035.00	1	Trasmissione idraulica
16	017.140.00	2	Cablaggio interruttore stop
17	150.179.13	1	Vite fissaggio manubrio
18	184.179.00	2	Vite coperchio pompa
19	121.133.03	1	Leva sx
20	125.030.00	1	Comando sx completo
21	048.029.03	1	Trasmissione freno posteriore
22	147.086.13	1	Molla freno posteriore
23	119.354.13	1	Barilotto
24	150.175.13	1	Vite regolazione freno

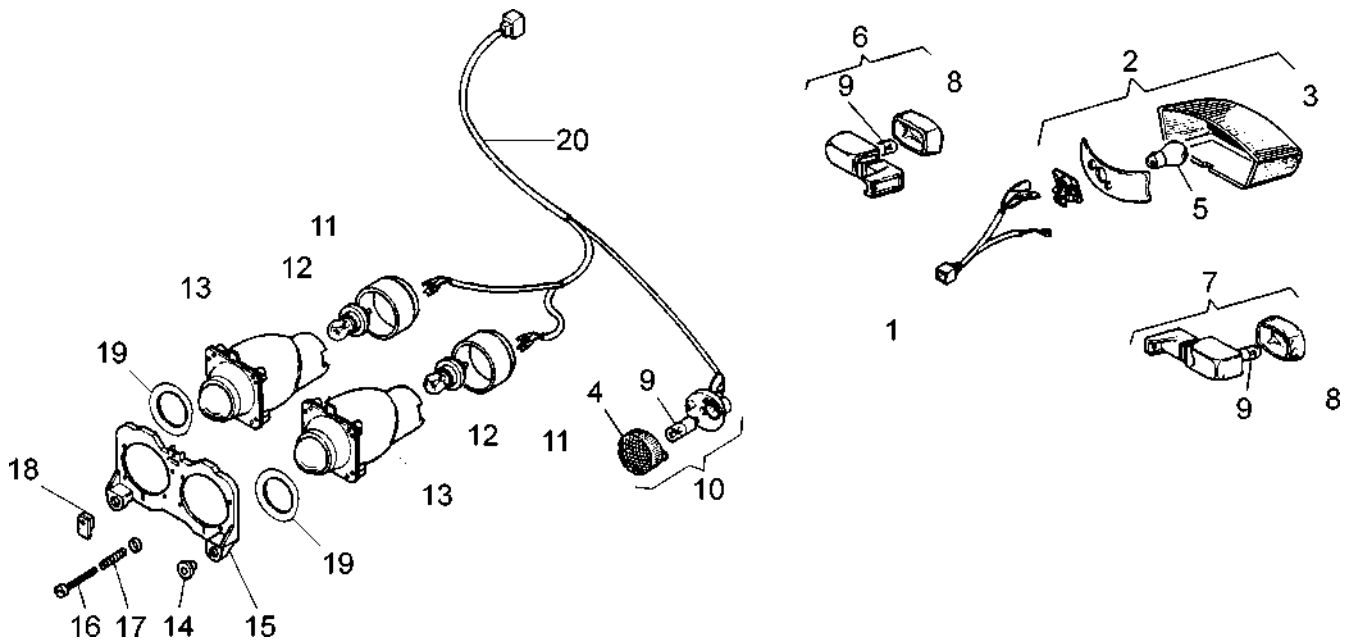
Nr.	Code	Q.ty	Description
1	097.014.03	1	Handgrip set (r/h+l/h)
2	121.134.00	1	Throttle twist grip tube
3	028.018.00	1	Twist grip tube & bracket
4	121.106.00	1	R/h lever bolt
5	162.032.13	1	Handlebar
6	121.139.00	1	Front brake clamp
7	121.127.00	1	Cover
8	121.099.00	1	Master cylinder seal
9	121.128.00	1	Piston kit
10	030.016.03	1	Master cylinder assy
11	121.132.03	1	R/h brake lever
12	121.108.00	1	R/h brake lever spring
13	150.024.14	1	Banjo bolt
14	190.006.00	2	Copper banjo washer
15	033.035.00	1	Front brake hose
16	017.140.00	2	Brake light switch and wire
17	150.179.13	1	Clamp bolt
18	184.179.00	2	Master cylinder screw
19	121.133.03	1	Rear brake lever (l/h)
20	125.030.00	1	Rear brake control assy (l/h)
21	048.029.03	1	Rear brake cable
22	147.086.13	1	Rear brake spring
23	119.354.13	1	Rear brake cable nipple
24	150.175.13	1	Rear brake adjusting screw

**Manubrio e comandi  
 Handlebar & controls**


Nr.	Codice	Q.tà	Descrizione
25	121.141.00	1	Scodellino coperchio pompa
26	147.100.13	1	Molla trasm. freno posteriore
27	034.080.03	1	Trasmissione gas
28	121.017.00	1	Molla leva sx
29	088.013.03	1	Specchio sx
30	184.056.13	1	Dado fissaggio manubrio
31	121.136.00	1	Vite fulcro leva sx
32	020.047.00	1	Commutatore dx
33	020.050.00	1	Commutatore sx
34	088.014.03	1	Specchio dx

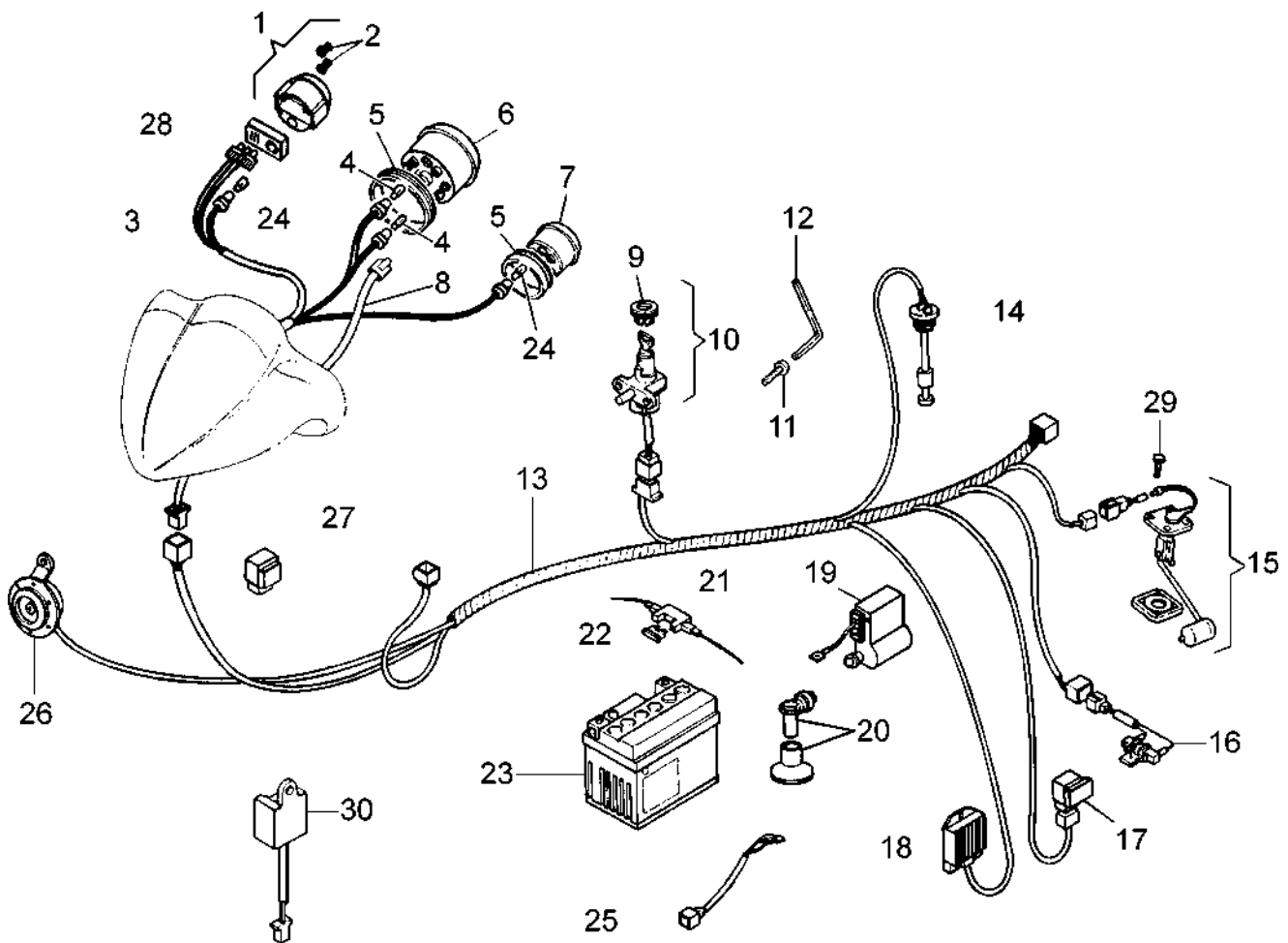
Nr.	Code	Q.ty	Description
25	121.141.00	1	Master cylinder cover seal
26	147.100.13	1	Rear brake cable bracket
27	034.080.03	1	Throttle cable
28	121.017.00	1	L/h lever spring
29	088.013.03	1	L/h mirror
30	184.056.13	1	Handlebar fixing clamp nut
31	121.136.00	1	L/h lever screw
32	020.047.00	1	R/h switch
33	020.050.00	1	L/h switch
34	088.014.03	1	R/h mirror



**Impianto elettrico**  
**Electrical system**


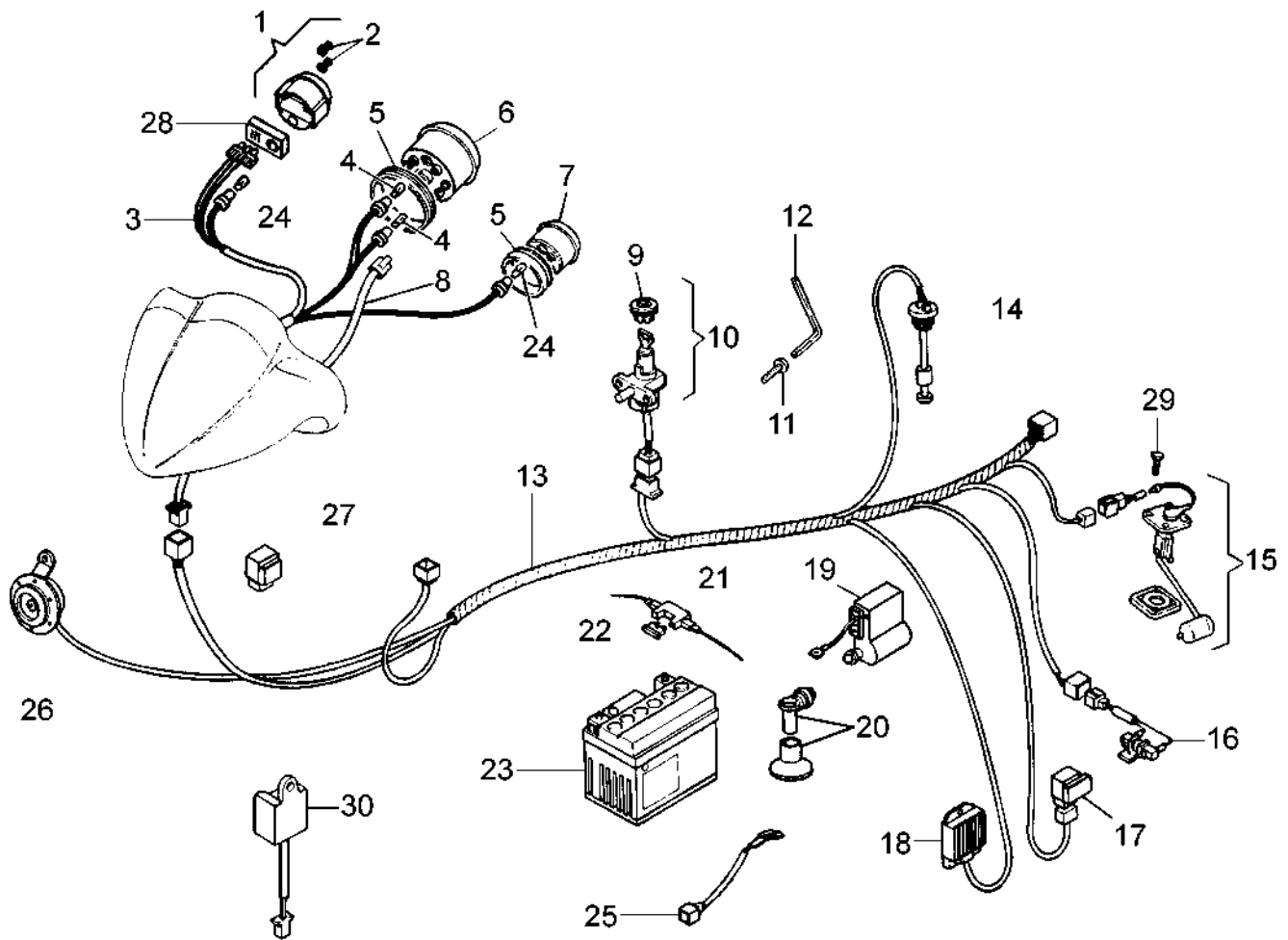
Nr.	Codice	Q.tà	Descrizione
1	017.195.00	1	Cablaggio fanale posteriore
2	016.066.00	1	Fanale posteriore
3	016.069.00	1	Vetro fanale posteriore
4	019.039.00	2	Vetro indicatori anteriore
5	022.048.00	1	Lampadina 12 V - 5-21 W
6	019.075.00	1	Indicatore posteriore dx
7	019.076.00	1	Indicatore posteriore sx
8	019.077.00	2	Vetro indicatori posteriore
9	022.017.00	4	Lampadina 12 V - 10 W
10	019.034.00	2	Indicatori anteriori sx - dx
11	072.069.00	2	Cappuccio faro
12	022.042.00	2	Lampadina 12 V - 15 W
13	015.051.00	2	Faro anteriore
14	075.010.00	2	Gommino supporto faro
15	071.194.03	1	Supporto faro anteriore
16	190.004.00	1	Vite regolazione faro
17	147.038.14	1	Molla regolazione faro
18	191.017.13	1	Piastrina regolazione faro
19	071.445.16	2	Anello adattatore faro anteriore
20	017.248.00	1	Cablaggio faro anteriore

Nr.	Code	Q.ty	Description
1	017.195.00	1	Rear light wiring harness
2	016.066.00	1	Rear light assembly
3	016.069.00	1	Rear light assembly lens
4	019.039.00	2	Front indicators lens
5	022.048.00	1	12 V - 5-21 W bulb
6	019.075.00	1	R/h rear indicator
7	019.076.00	1	L/h rear indicator
8	019.077.00	2	Rear indicators lens
9	022.017.00	4	12 V - 10 W bulb
10	019.034.00	2	L/h+r/h front indicators
11	072.069.00	2	Headlamp rubber cap
12	022.042.00	2	12 V - 15 W bulb
13	015.051.00	2	Head light assy
14	075.010.00	2	Head lamp bracket grommet
15	071.194.03	1	Head lamp bracket
16	190.004.00	1	Head lamp adjusting screw
17	147.038.14	1	Head lamp adjusting spring
18	191.017.13	1	Head lamp adjusting plate
19	071.445.16	2	Head lamp adapter ring
20	017.248.00	1	Head lamp wiring harness

**Impianto elettrico**  
**Electrical system**


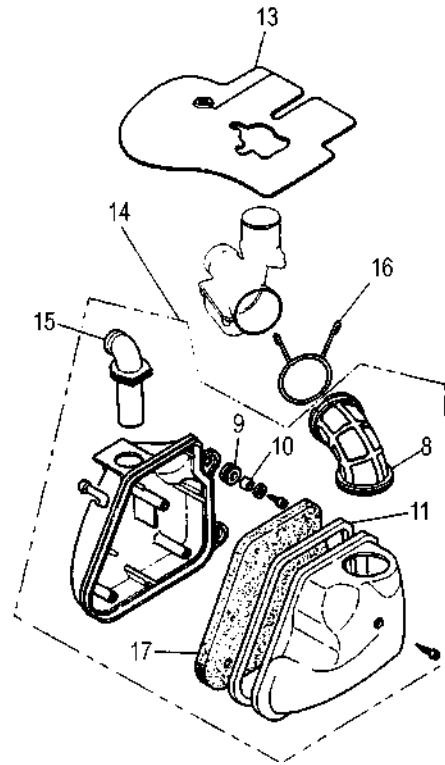
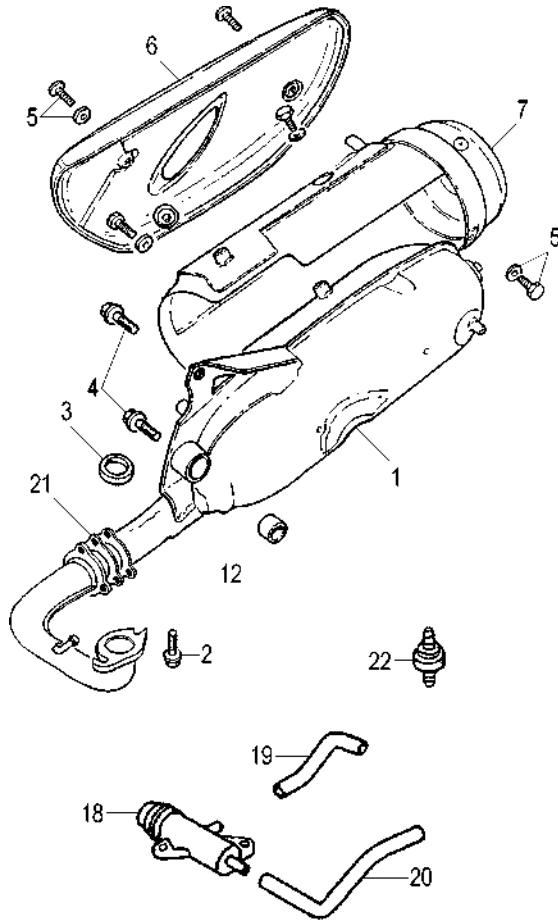
Nr.	Codice	Q.tà	Descrizione
1	178.160.00	1	Orologio time restyling
2	072.074.03	1	Gommino reset
3	017.311.00	1	Cablaggio cruscotto
4	022.073.00	2	Lampadina 12 V - 2 W
5	072.059.00	1	Guarnizioni orologi in coppia
6	178.158.00	1	Orologio kontakm
7	178.159.00	1	Orologio benzina
8	178.133.00	1	Trasmissione kontakm
9	071.163.00	1	Ghiera serratura avviamento
10	090.031.00	1	Serratura avviamento
11	184.218.00	2	Vite antimanomissione
12	086.014.00	1	Chiave vite antimanomissione
13	017.409.00	1	Cablaggio centrale
14	093.051.00	1	Sonda livello olio
15	093.046.00	1	Sonda livello benzina
16	025.014.00	1	Resistenza
17	025.015.00	1	Relais
18	026.026.00	1	Regolatore di tensione
19	024.110.00	1	Centralina elettronica CDI
20	073.006.00	1	Pipetta candela c/cappuccio
21	025.016.00	1	Portafusibile
22	025.010.00	1	Fusibile 10 A
23	074.004.00	1	Batteria 12 V - 4 Ah
24	022.036.00	2	Lampadina 12 V - 1,2 W
25	017.226.00	1	Cablaggio batteria

Nr.	Code	Q.ty	Description
1	178.160.00	1	Restyling clock case
2	072.074.03	1	Clock reset buttons
3	017.311.00	1	Dashboard wiring
4	022.073.00	2	12 V - 2 W bulb
5	072.059.00	1	Gasket set
6	178.158.00	1	Speedometer
7	178.159.00	1	Fuel gauge
8	178.133.00	1	Speedo cable
9	071.163.00	1	Ignition lock rim
10	090.031.00	1	Ignition barrel
11	184.218.00	2	Antitampering screw
12	086.014.00	1	Antitampering screw spanner
13	017.409.00	1	Main wiring harness
14	093.051.00	1	Oil level gauge
15	093.046.00	1	Fuel level gauge
16	025.014.00	1	Resistor
17	025.015.00	1	Relay
18	026.026.00	1	Regulator
19	024.110.00	1	CDI unit
20	073.006.00	1	Spark plug cap
21	025.016.00	1	Fuse holder
22	025.010.00	1	10 A fuse
23	074.004.00	1	12 V - 4 Ah battery
24	022.036.00	2	12 V - 1,2 W bulb
25	017.226.00	1	Battery loom

**Impianto elettrico**  
**Electrical system**


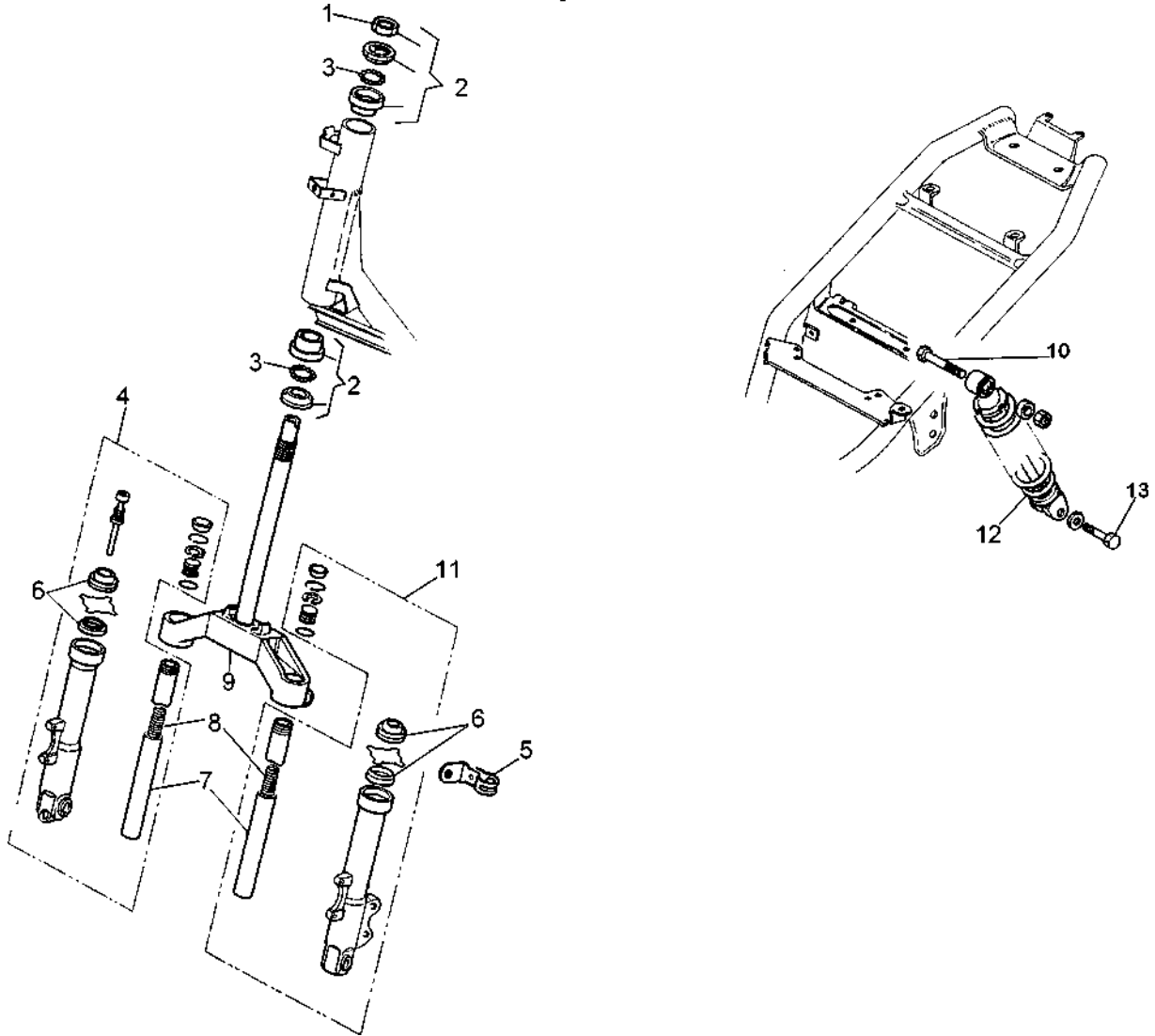
Nr.	Codice	Q.tà	Descrizione
26	018.054.00	1	Avvisatore acustico
27	025.023.00	1	Intermittenza
28	178.083.00	1	Orologio digitale
29	184.009.00	4	Vite fissaggio sonda benzina
30	024.111.00	1	Choke controller

Nr.	Code	Q.ty	Description
26	018.054.00	1	Horn
27	025.023.00	1	Flasher unit
28	178.083.00	1	Digital clock
29	184.009.00	4	Fixing screw
30	024.111.00	1	Choke controller

**Gruppo scarico e aspirazione  
 Exhaust assembly**


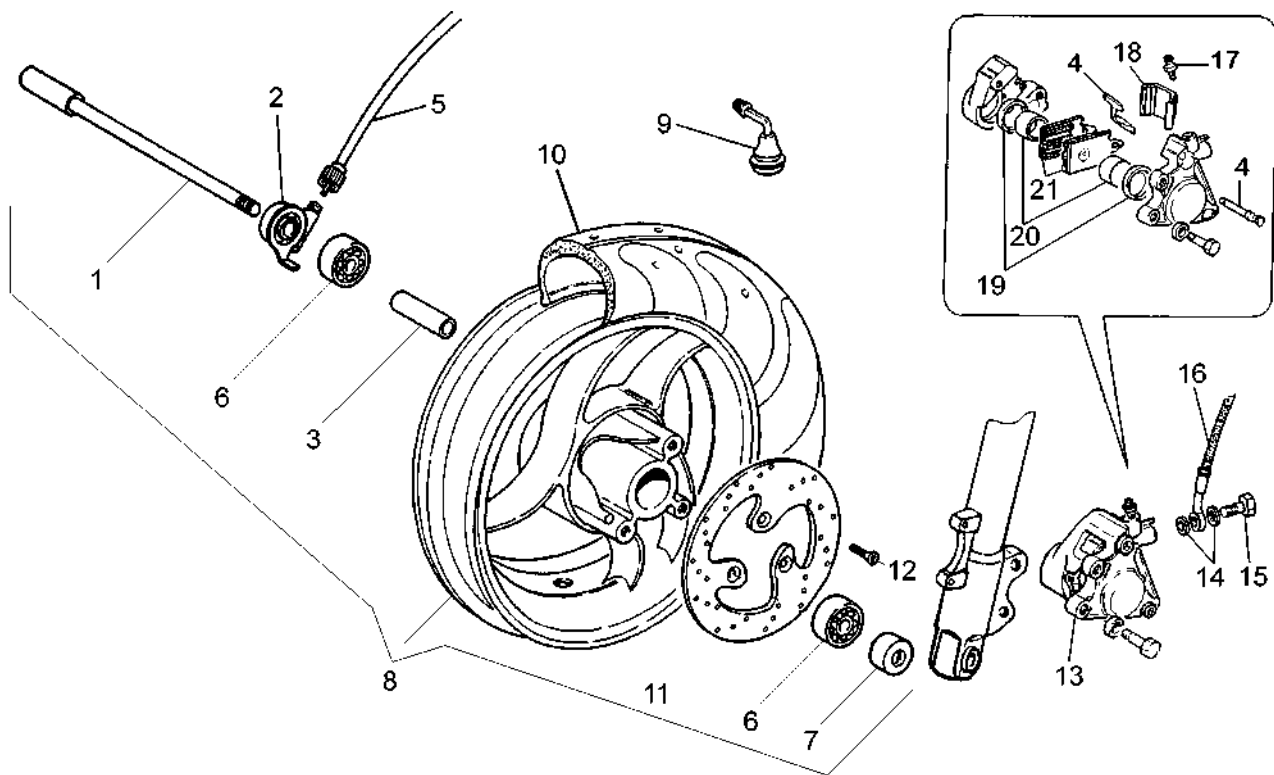
Nr.	Codice	Q.tà	Descrizione
1	165.195.99	1	Marmitta catalitica completa
2	184.006.00	2	Vite fissaggio marmitta
3	072.053.00	1	Guarnizione scarico
4	184.038.13	2	Viti fissaggio marmitta
5	184.133.00	1	Kit viti griglia - calotta
6	071.342.00	1	Griglia esterna di protezione
7	071.343.00	1	Calotta di protezione
8	076.013.00	1	Manicotto grande
9	080.002.07	2	Gommino
10	150.043.00	2	Distanziale
11	072.056.00	1	Guarnizione cassetta
12	075.024.00	1	Silentblock marmitta
13	057.033.00	1	Bancalina carburatore
14	066.058.03	1	Cassetta aspirazione completa
15	076.012.00	1	Manicotto piccolo
16	147.082.13	1	Molla manicotto aspirazione
17	066.045.00	1	Filtro aria
18	094.023.00	1	Valvola aria AIS
19	077.048.00	1	Tubo valvola - marmitta
20	180.051.02	1	Tubo valvola - filtro
21	072.158.00	1	Guarnizione raccordo scarico
22	094.026.00	1	Filtro

Nr.	Code	Q.ty	Description
1	165.195.99	1	Kat-exhaust assy
2	184.006.00	2	Exhaust fixing screw
3	072.053.00	1	Exhaust gasket
4	184.038.13	2	Exhaust fixing screw
5	184.133.00	1	Screws set
6	071.342.00	1	Heat shield
7	071.343.00	1	Heat cover
8	076.013.00	1	Air box/carb. sleeve
9	080.002.07	2	Grommet
10	150.043.00	2	Spacer
11	072.056.00	1	Air box seal
12	075.024.00	1	Exhaust silentblock
13	057.033.00	1	Carburettor cover
14	066.058.03	1	Air box complete
15	076.012.00	1	Airbox intake sleeve
16	147.082.13	1	Air box hose spring clip
17	066.045.00	1	Air filter
18	094.023.00	1	One-way air valve AIS
19	077.048.00	1	Hose (valve - exhaust)
20	180.051.02	1	Hose (valve - filter)
21	072.158.00	1	Gasket
22	094.026.00	1	Filter

**Sospensione anteriore e posteriore**
**Front & rear suspension**


Nr.	Codice	Q.tà	Descrizione
1	185.009.13	1	Ghiera serie sterzo
2	104.017.00	1	Serie sterzo
3	120.261.00	48	Sfere
4	120.317.00	1	Portaruota completo dx
5	147.101.13	2	Molla trasmissione kontakm
6	120.312.00	2	Kit parapolvere + paraolio
7	120.302.00	2	Canna dx + sx
8	120.305.00	2	Molla dx + sx
9	120.301.99	1	Testa croce
10	184.033.13	1	Vite fissaggio ammortizzatore
11	120.358.00	1	Portaruota completo sx
12	010.034.08	1	Ammortizzatore
13	184.038.13	1	Vite fissaggio ammortizzatore
--	013.046.50	1	Forcella completa

Nr.	Code	Q.ty	Description
1	185.009.13	1	Steering head nut
2	104.017.00	1	Steering head cap set
3	120.261.00	48	Steering ball cages
4	120.317.00	1	R/h fork leg assy
5	147.101.13	2	Fork leg brake hose clip
6	120.312.00	2	Fork bush/oil seal
7	120.302.00	2	R/h - l/h tube
8	120.305.00	2	R/h - l/h tube spring
9	120.301.99	1	Bottom yoke
10	184.033.13	1	Fixing screw
11	120.358.00	1	L/h fork leg assy
12	010.034.08	1	Rear shock absorber
13	184.038.13	1	Fixing screw
--	013.046.50	1	Front fork assy

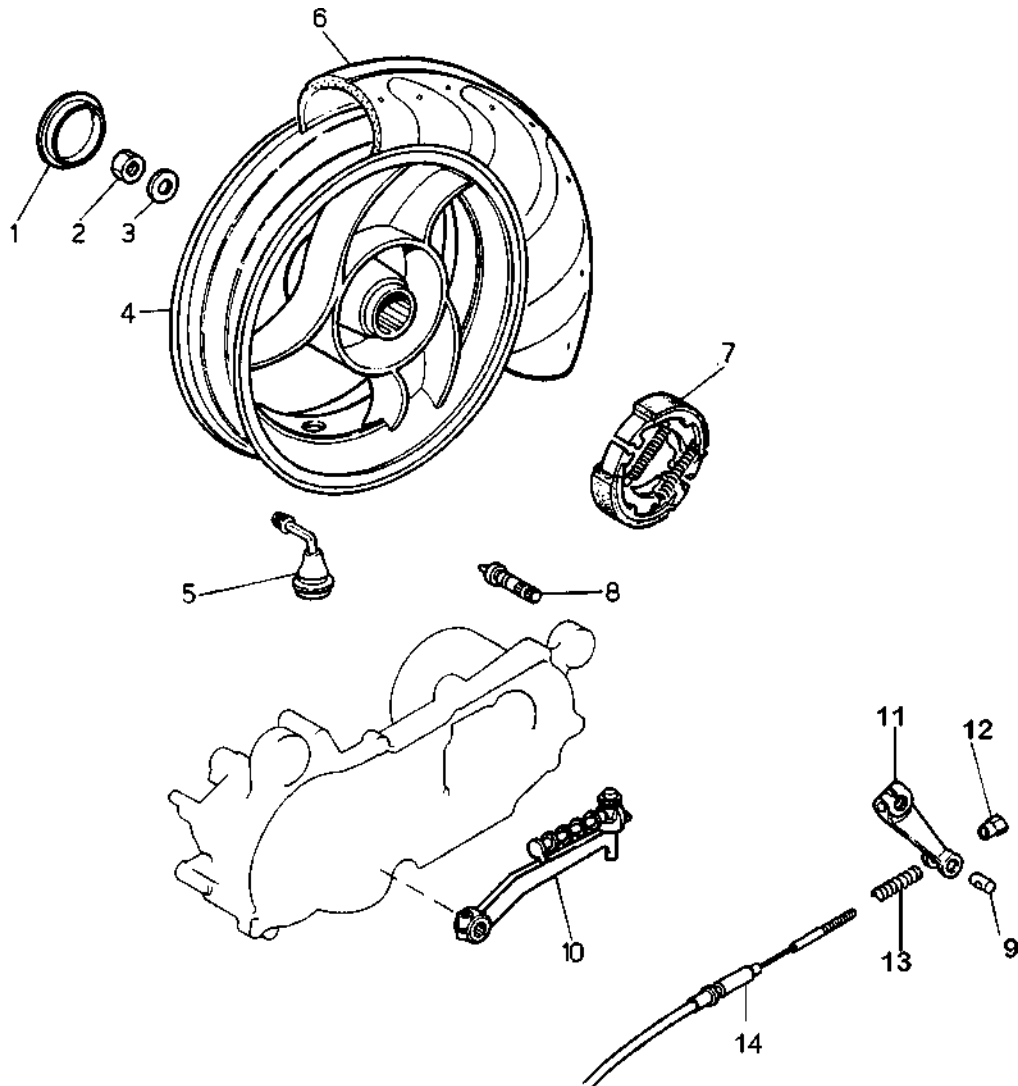
**Ruota anteriore e impianto frenante**
**Front wheel & brake system**


Nr.	Codice	Q.tà	Descrizione
1	119.443.00	1	Perno ruota
2	178.095.00	1	Rinvio kontakm
3	119.456.00	1	Distanziale interno
4	119.457.00	1	Kit perno + molla
5	178.133.00	1	Trasmissione kontakm
6	119.411.00	2	Cuscinetto dx + sx
7	119.432.00	1	Distanziale
8	109.053.- -	1	Ruota anteriore tubeless *
9	094.008.00	1	Valvola tubeless
10	050.032.00	1	Copertura 120/70-12 tubeless
11	119.465.00	1	Disco freno
12	184.287.00	3	Vite fissaggio disco freno
13	031.019.08	1	Pinza freno idraulica
14	190.006.00	2	Rasamento
15	150.024.14	1	Vite trasmissione idraulica
16	033.035.00	1	Trasmissione idraulica
17	119.436.00	1	Vite spurgo
18	119.434.00	1	Cuffia pinza freno
19	119.440.00	1	Serie anelli di tenuta
20	119.435.00	1	Pistone pinza freno
21	119.502.00	1	Coppia pastiglie freno

\* Specificare colore

Nr.	Code	Q.ty	Description
1	119.443.00	1	Front wheel spindle
2	178.095.00	1	Speedo drive
3	119.456.00	1	Spacer
4	119.457.00	1	Support pads set
5	178.133.00	1	Speedo cable
6	119.411.00	2	R/h-l/h bearing
7	119.432.00	1	Spacer
8	109.053.- -	1	Tubeless front wheel *
9	094.008.00	1	Wheel valve
10	050.032.00	1	Tubeless tyre 120/70-12
11	119.465.00	1	Front brake disc
12	184.287.00	3	Brake disc mounting screw
13	031.019.08	1	Front brake caliper
14	190.006.00	2	Copper banjo washer
15	150.024.14	1	Banjo bolt
16	033.035.00	1	Front brake hose
17	119.436.00	1	Screw
18	119.434.00	1	Brake pad cover
19	119.440.00	1	Seal ring set
20	119.435.00	1	Front brake piston set
21	119.502.00	1	Brake pads

\* To be completed with colour code

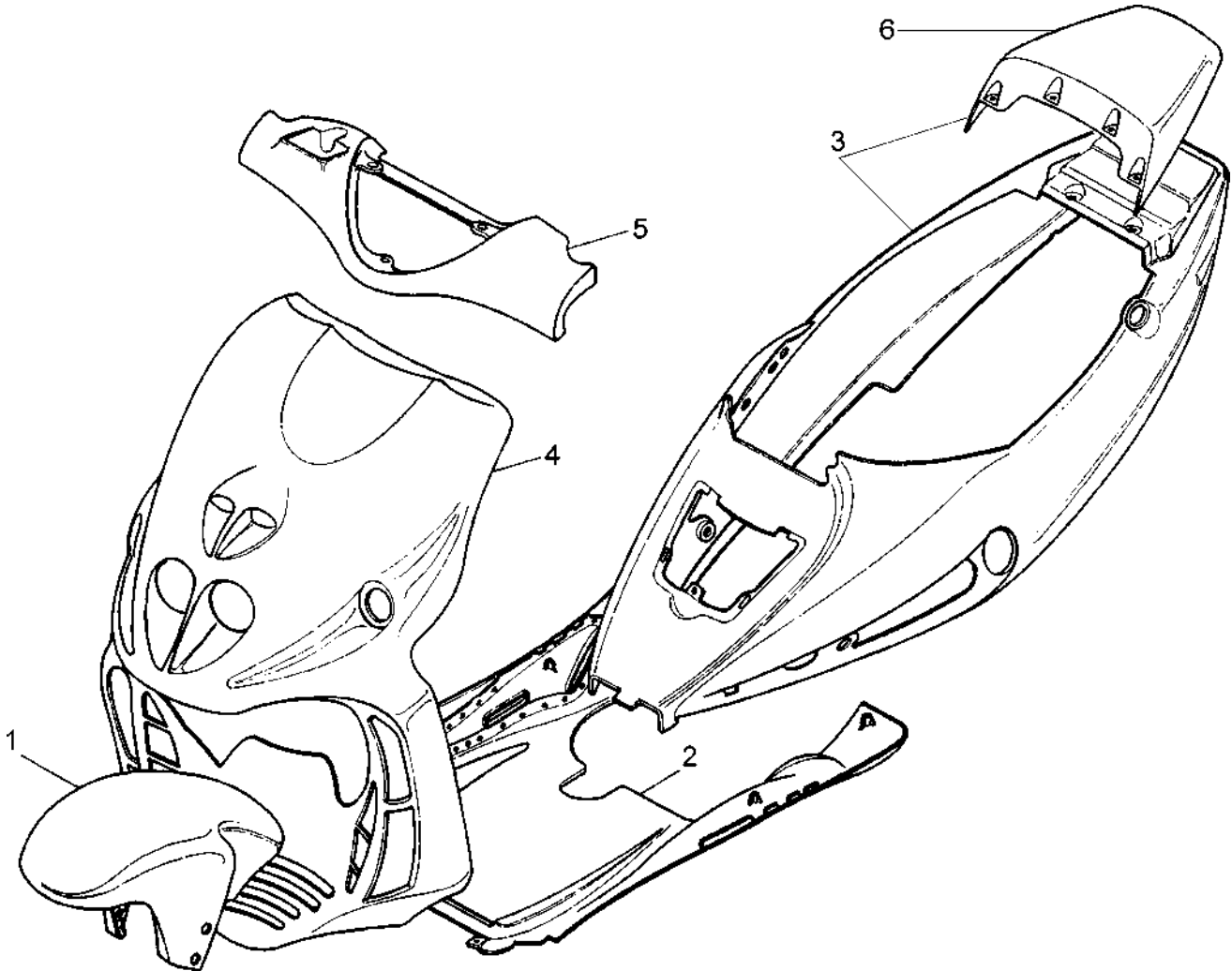


Nr.	Codice	Q.tà	Descrizione
1	071.198.03	1	Tappo ruota
2	185.010.00	1	Dado ruota posteriore
3	119.224.00	1	Rondella
4	110.039.- -	1	Ruota posteriore tubeless *
5	094.008.00	1	Valvola tubeless
6	050.033.00	1	Copertura 130/70-12 tubeless
7	119.403.00	1	Anello ceppi
8	119.416.00	1	Ogiva
9	119.354.13	1	Barilotto
10	081.009.03	1	Leva messa in moto
11	119.415.00	1	Leva freno
12	150.175.13	1	Vite di regolazione
13	147.086.13	1	Molla freno
14	048.029.03	1	Trasmissione freno posteriore

Nr.	Code	Q.ty	Description
1	071.198.03	1	Hub cap
2	185.010.00	1	Rear wheel nut
3	119.224.00	1	Washer
4	110.039.- -	1	Tubeless rear wheel *
5	094.008.00	1	Wheel valve
6	050.033.00	1	Tubeless tyre 130/70-12
7	119.403.00	1	Rear brake shoes
8	119.416.00	1	Cam
9	119.354.13	1	Rear brake cable nipple
10	081.009.03	1	Kick starter lever
11	119.415.00	1	Brake lever
12	150.175.13	1	Adjustment screw
13	147.086.13	1	Return spring
14	048.029.03	1	Rear brake cable

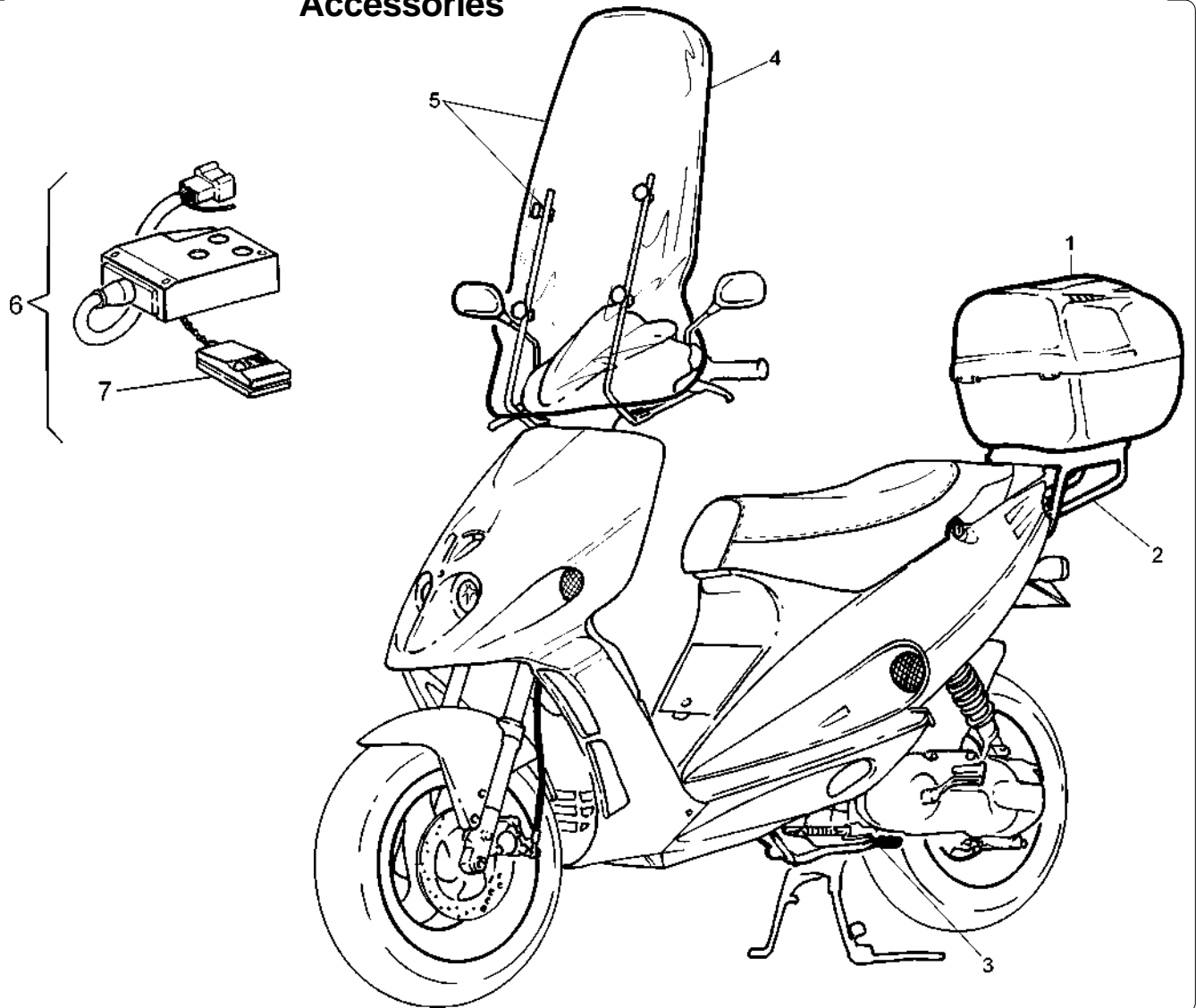
\* Specificare colore

\*To be completed with colour code

**Colori moto  
Colour table**

**TABELLA COLORI - COLOUR CODES**
**Colori - Colours**

<b>N° Nr.</b>	<b>Codice Code</b>	<b>50 Blu Notte-Titanio Dark Blue-Titanium</b>	<b>51 Capirex</b>	<b>65 Moto GP</b>	<b>87 Argento Lucido Bright Silver</b>	<b>93 Nero Velvet Velvet Black</b>	<b>96 Silver Racing Life</b>	<b>95 Black Racing Life</b>	<b>20 Tribal</b>	<b>64 Blu Acciaio Steel Blu</b>
1	055.058.	98	71	65	87	93	87	93	72	64
2	063.227.	98	51	70	87	93	93	71	72	64
3	063.210.	94	51	65	87	93	96	95	72	64
4	066.085.	50	51	65	87	93	96	95	72	64
5	071.183.	94	71	70	87	93	87	93	72	64
6	063.217.	94	71	65	87	93	87	95	72	64
--	181.449.	--	--	--	--	--	--	00	--	--
--	181.303.	01	--	--	00	01	--	--	--	00
--	181.389.	--	00	--	--	--	--	--	--	--
--	181.403.	--	--	65	--	--	--	--	--	--
--	181.404.	--	--	--	--	--	96	--	--	--
--	181.448.	--	--	--	--	--	--	--	00	--



**Accessori  
Accessories**


Nr.	Codice	Q.tà	Descrizione
1	<b>065.072.03</b>	1	Baulone porta casco
2	<b>173.048.00</b>	1	Portapacco completo
3	<b>159.034.99</b>	1	Cavalletto laterale
4	<b>063.145.00</b>	1	Lastra parabrezza
5	<b>063.108.00</b>	1	Parabrezza completo
6	<b>018.078.00</b>	1	Antifurto elettronico
7	<b>018.079.00</b>	1	Radiocomando
--	<b>065.027.00</b>	1	Coprimoto scooter standard
--	<b>065.077.00</b>	1	Coprimoto scooter con accessori
--	<b>147.112.13</b>	1	Molla cavalletto laterale

Nr.	Code	Q.ty	Description
1	<b>065.072.03</b>	1	Top case
2	<b>173.048.00</b>	1	Rear carrier
3	<b>159.034.99</b>	1	Side stand
4	<b>063.145.00</b>	1	Windscreen glass
5	<b>063.108.00</b>	1	Windscreen
6	<b>018.078.00</b>	1	Alarm complete
7	<b>018.079.00</b>	1	Remote control
--	<b>065.027.00</b>	1	Scooter canvas cover
--	<b>065.077.00</b>	1	Accessoried scooter canvas cover
--	<b>147.112.13</b>	1	Side stand spring

Nr.	Codice	Q.tà	Descrizione	Nr.	Code	Q.ty	Description
15	715.112.00	1	Carburatore Gurtner PY 12 / R 446	15	715.112.00	1	Carburettor Gurtner PY 12 / R 446
19	771.125.00	1	Cilindro completo di pistone	19	771.125.00	1	Cylinder assy
48	024.044.00	1	Motorino avviamento	48	024.044.00	1	Starter motor
62	771.116.00	1	Pistone completo Ø 40	62	771.116.00	1	Piston assy Ø 40
77	777.014.00	1	Testa	77	777.014.00	1	Cylinder head
80	780.003.00	1	Ventola	80	780.003.00	1	Fan
82	782.026.00	1	Volano magnete	82	782.026.00	1	Magneto flywheel assy
111	711.008.00	1	Candela	111	711.008.00	1	Spark plug
172	717.010.00	1	Cinghia di trasmissione	172	717.010.00	1	V-belt
211	721.067.00	1	Convogliatore ventola	211	721.067.00	1	Air shroud (outer)
212	721.055.00	1	Coperchio messa in moto completo	212	721.055.00	1	Case cover
213	721.056.00	1	Coperchio trasmissione	213	721.056.00	1	Gear cover
215	721.054.00	1	Cuffia convogliatore cilindro	215	721.054.00	1	Air shroud (inner)
381	771.160.00	1	Imbiellaggio	381	771.160.00	1	Crankshaft
382	771.118.00	1	Biella completa	382	771.118.00	1	Connecting rod
601	760.074.00	1	Puleggia anteriore fissa	601	760.074.00	1	Primary fixed pulley
604	760.075.00	1	Puleggia anteriore mobile c/boccola	604	760.075.00	1	Primary pulley
606	760.045.00	1	Collettore aspirazione	606	760.045.00	1	Intake manifold
641	764.011.00	1	Pompa olio completa	641	764.011.00	1	Oil pump assy
681	771.120.00	1	Serie segmenti Ø 40	681	771.120.00	1	Piston ring set Ø 40
701	770.020.00	1	Coppia carter	701	770.020.00	1	Crankcase assy
912	701.044.00	1	Albero messa in moto	912	701.044.00	1	Kick start shaft
914	701.047.00	1	Albero uscita moto completo Z = 42	914	701.047.00	1	Drive shaft assy Z = 42
916	701.046.00	1	Albero trasmissione Z = 13	916	701.046.00	1	Gear shaft Z = 13
2449	724.051.00	2	Gommino supporto convogliatore cilindro	2449	724.051.00	2	Cylinder cover grommet
2479	724.075.00	1	Gommino silentblock carter	2479	724.075.00	1	Rubber
2480	057.033.00	1	Protezione carburatore	2480	057.033.00	1	Carburettor seal
2485	724.052.00	1	Raccordo plastica sfiato olio	2485	724.052.00	1	Oil breather pipe
2492	724.048.00	1	Tappo alimentazione olio	2492	724.048.00	1	Oil plug
2493	724.049.00	3	Tassello di traino	2493	724.049.00	3	Dowels
2601	726.027.00	1	Campana frizione completa	2601	726.027.00	1	Clutch housing
2626	726.028.00	1	Puleggia secondaria fissa completa	2626	726.028.00	1	Secondary fixed pulley
2627	726.030.00	1	Puleggia secondaria mobile completa	2627	726.030.00	1	Secondary pulley
2642	726.020.00	1	Cappello porta tasselli	2642	726.020.00	1	Dowelholder cap
2664	726.021.00	1	Piastrina ritegno paraolio	2664	726.021.00	1	Plate
2665	726.022.00	1	Piastrina ingranaggio doppio intermedio E / S	2665	726.022.00	1	Idle gear plate
2667	726.023.00	1	Piastrina traino puleggia anteriore fissa	2667	726.023.00	1	Drive pulley lock washer
2688	726.026.00	1	Scodellino dentato messa in moto	2688	726.026.00	1	Drive plate
2689	726.029.00	1	Scodellino portamolla variatore	2689	726.029.00	1	Spring holder
3520	735.028.00	1	Frizione centrifuga completa	3520	735.028.00	1	Clutch assy
4040	740.129.00	1	Ingranaggio doppio intermedio Z = 13 / 52	4040	740.129.00	1	Idle gear assy Z = 13 / 52
4041	740.121.00	1	Ingranaggio doppio intermedio E / S c/boccola	4041	740.121.00	1	Idle gear assy E / S
4043	740.122.00	1	Corona avviamento elettrico Z = 71	4043	740.122.00	1	Kick start gear Z = 71

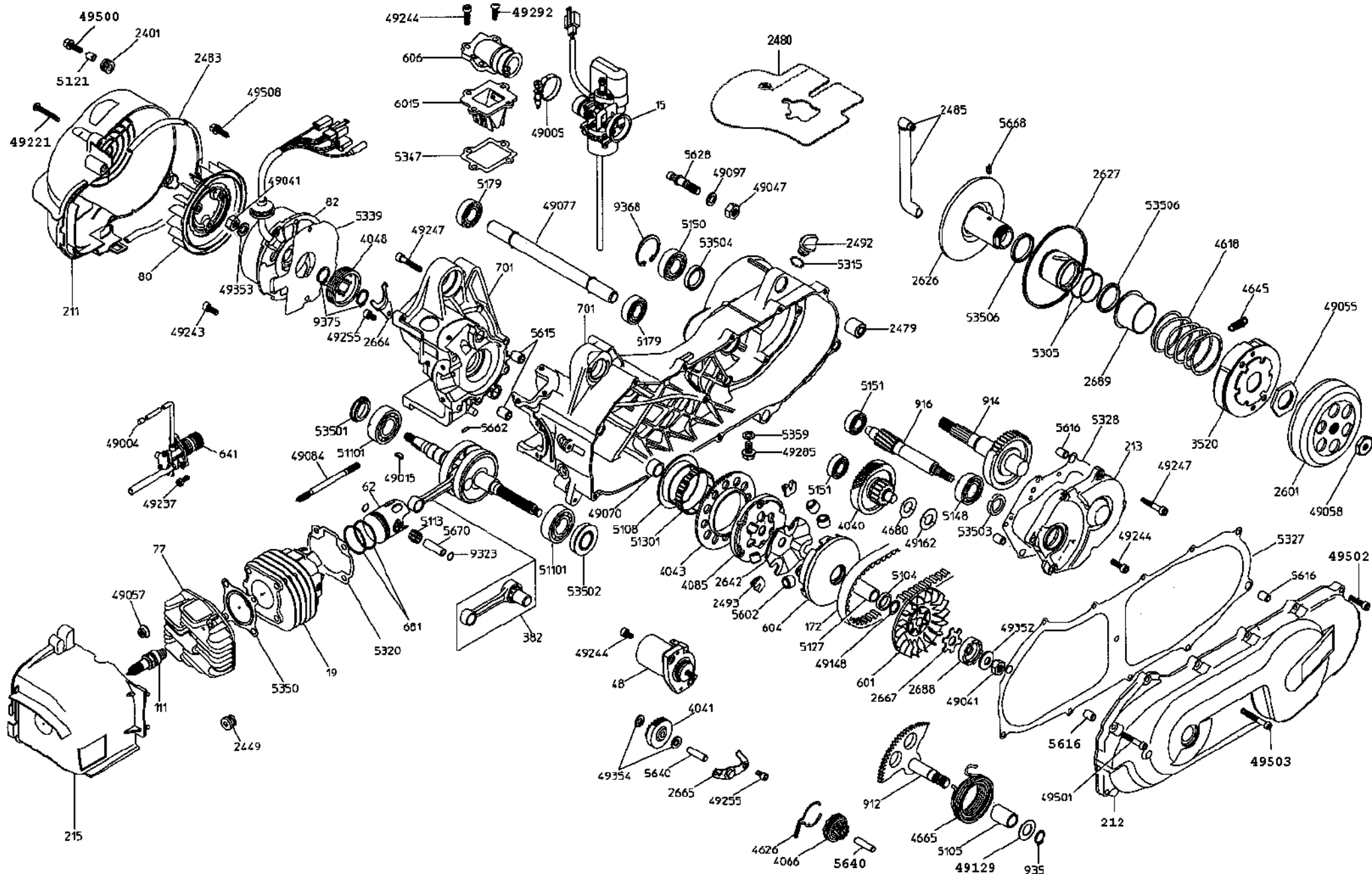
Nr.	Codice	Q.tà	Descrizione	Nr.	Code	Q.ty	Description
4048	740.123.00	1	Ingranaggio conduttore pompa olio	4048	740.123.00	1	Pump drive gear
4066	740.124.00	1	Ingranaggio scorrevole messa in moto	4066	740.124.00	1	Kick start pinion gear
4085	740.125.00	1	Ruota libera completa	4085	740.125.00	1	Free wheel assy
4618	746.048.00	1	Molla puleggia secondaria mobile	4618	746.048.00	1	Secondary pulley spring
4626	746.044.00	1	Molla scorrevole messa in moto	4626	746.044.00	1	Kick start thrust spring
4645	746.047.00	3	Molla richiamo ceppi frizione	4645	746.047.00	3	Clutch pads spring
4665	746.042.00	1	Molla ritorno leva messa in moto	4665	746.042.00	1	Kick start return spring
4680	746.045.00	1	Molla a disco ingranaggio doppio intermedio	4680	746.045.00	1	Idle gear spring
5104	751.083.00	1	Distanziale Ø 18 x 23 x 6	5104	751.083.00	1	Spacer Ø 18 x 23 x 6
5105	751.041.00	1	Boccola albero messa in moto Ø 15 x 20 x 30	5105	751.041.00	1	Kick start shaft bush Ø 15 x 20 x 30
5108	751.042.00	1	Boccola flangiata corona E / S	5108	751.042.00	1	Bush
5113	751.043.00	1	Gabbia KBK Ø 10 x 14 x 12,5 spinotto	5113	751.043.00	1	Cage KBK Ø 10 x 14 x 12,5
5127	751.045.00	1	Boccola puleggia anteriore mobile	5127	751.045.00	1	Primary pulley bush
5148	104.028.00	1	Cuscinetto Ø 17 x 40 x 12 (6203TN9/C3)	5148	104.028.00	1	Bearing Ø 17 x 40 x 12 (6203TN9/C3)
5150	751.046.00	1	Cuscinetto Ø 17 x 40 x 12 (6203 - 2RS1)	5150	751.046.00	1	Bearing Ø 17 x 40 x 12 (6203 - 2RS1)
5151	751.047.00	2	Cuscinetto Ø 10 x 30 x 9 (6200 - C3)	5151	751.047.00	2	Bearing Ø 10 x 30 x 9 (6200 - C3)
5179	751.072.00	2	Cuscinetto Ø 17 x 35 x 10 (6003 - 2RS)	5179	751.072.00	2	Bearing Ø 17 x 35 x 10 (6003 - 2RS)
5305	753.135.00	2	Anello di tenuta OR Ø 36 x 1,5	5305	753.135.00	2	Oil seal OR Ø 36 x 1,5
5315	753.105.00	1	Anello di tenuta OR Ø 13,3 x 2,4	5315	753.105.00	1	Oil seal OR Ø 13,3 x 2,4
5320	753.129.00	1	Guarnizione base cilindro	5320	753.129.00	1	Cylinder base gasket
5327	753.120.00	1	Guarnizione coperchio messa in moto	5327	753.120.00	1	Sidecase gasket
5328	753.121.00	1	Guarnizione coperchio trasmissione	5328	753.121.00	1	Gear box gasket
5339	753.109.00	1	Guarnizione statore volano	5339	753.109.00	1	Stator gasket
5347	753.110.00	1	Guarnizione valvola lamelle	5347	753.110.00	1	Reed valve gasket
5350	753.111.00	1	Guarnizione testa	5350	753.111.00	1	Head gasket
5359	753.112.00	1	Guarnizione vite scarico olio	5359	753.112.00	1	Oil drain gasket
5602	756.083.00	6	Massa centrifuga completa Ø 8,8	5602	756.083.00	6	Centrifugal roller Ø 8,8
5615	756.029.00	2	Grano riferimento carter	5615	756.029.00	2	Crankcase locating dowel
5616	756.030.00	4	Grano riferimento coperchi	5616	756.030.00	4	Gearbox locating dowel
5628	756.074.00	1	Perno ceppi freno	5628	756.074.00	1	Pin
5640	756.070.00	1	Perno Ø 8 x 32	5640	756.070.00	1	Pin Ø 8 x 32
5662	756.071.00	1	Rullo Ø 3 x 11,8	5662	756.071.00	1	Pin Ø 3 x 11,8
5668	756.082.00	2	Rullino guida variatore	5668	756.082.00	2	Pin guide
5670	756.073.00	1	Spinotto Ø10 x 33	5670	756.073.00	1	Pin Ø 10 x 33
6015	760.046.00	1	Valvola lamelle completa	6015	760.046.00	1	Reed valve assy
9323	703.028.00	2	Anello fermo spinotto Ø11,8	9323	703.028.00	2	Circlip Ø 11,8
9353	703.005.00	1	Anello seeger albero Ø 15	9353	703.005.00	1	Kick start circlip Ø 15
9368	703.025.00	1	Anello seeger foro Ø 40 spessore 1,75	9368	703.025.00	1	Wheel bearing circlip Ø 40
9375	703.026.00	2	Anello seeger albero Ø 19	9375	703.026.00	2	Oil pump circlip Ø 19
49004	749.148.00	1	Fascetta tubo pompa olio	49004	749.148.00	1	Clamp
49005	749.270.00	1	Fascetta antimanomissione flangia aspirazione	49005	749.270.00	1	Antitampering clamp
49015	749.107.00	1	Chiavetta volano magnete	49015	749.107.00	1	Woodruff key
49040	749.210.00	1	Dado M10 x 1,25	49040	749.210.00	1	Nut M10 x 1,25

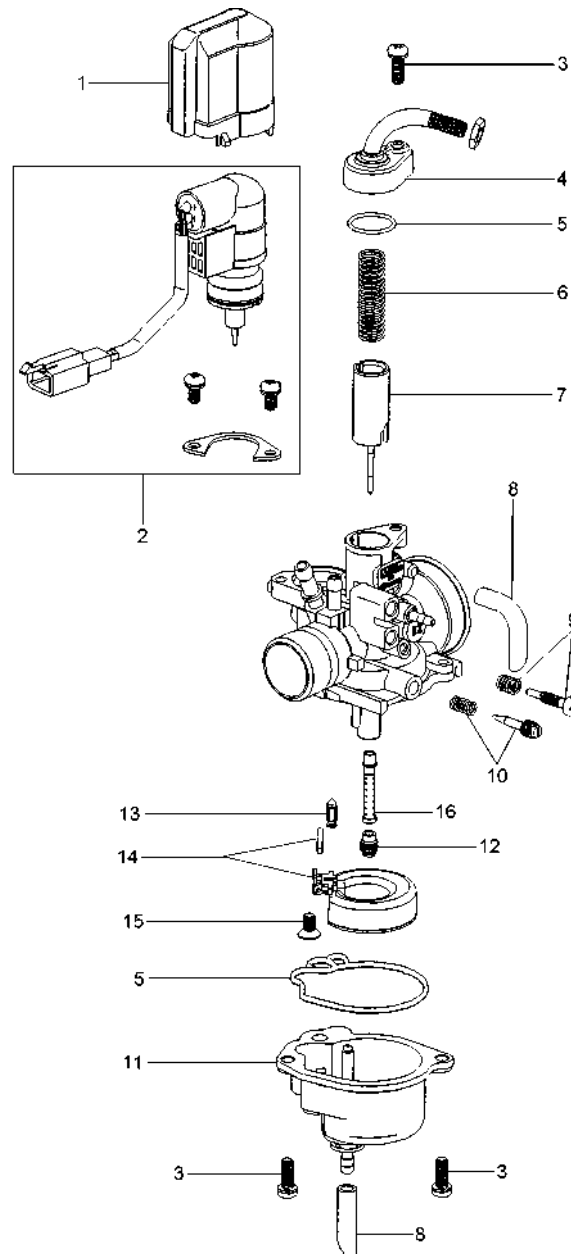
## Motore MY 50 - MY 50 engine parts

Nr.	Codice	Q.tà	Descrizione	Nr.	Code	Q.ty	Description
49041	749.181.00	1	Dado M10 x 1,25 - H = 8	49041	749.181.00	1	Nut M10 x 1,25 - H=8
49047	749.203.00	1	Dado M10 x 1,25 - H = 7 - (CH = 25)	49047	749.203.00	1	Nut M10 x 1,25 - H = 7 - (CH = 25)
49055	749.219.00	1	Dado M28 x 1 - (CH = 42) - H = 4	49055	749.219.00	1	Nut M28 x 1 - (CH = 42) - H = 4
49057	749.183.00	4	Dado M7 x 1 fissaggio testa	49057	749.183.00	4	Nut M7
49058	749.184.00	1	Dado M10 x 1 - H = 5,8 - (CH = 24)	49058	749.184.00	1	Nut M10 x 1 - H = 5,8 - (CH = 24)
49070	749.186.00	1	Distanziale cuscinetto paraolio frizione	49070	749.186.00	1	Spacer
49077	749.187.00	1	Distanziale attacco carter	49077	749.187.00	1	Spacer
49084	749.188.00	4	Prigioniero fissaggio testa M7 x 1 x 109	49084	749.188.00	4	Cylinder head stud
49097	749.205.00	1	Rondella bisellata Ø 10 x 21 x 2	49097	749.205.00	1	Washer Ø 10 x 21 x 2
49125	749.271.00	1	Rondella acciaio blu Ø 13,2 x 20 x 1	49125	749.271.00	1	Washer Ø 13,2 x 20 x 1
49129	749.189.00	1	Rondella acciaio blu Ø 15,1 x 28 x 1	49129	749.189.00	1	Washer Ø 15,1 x 28 x 1
49162	749.206.00	1	Rondella acciaio blu Ø 14 x 29 x 1	49162	749.206.00	1	Washer Ø 14 x 29 x 1
49221	749.190.00	1	Vite autofilettante convogliatore ventola	49221	749.190.00	1	Screw
49237	749.095.00	2	Vite T.C.C.E. M5 x 14	49237	749.095.00	2	Screw M5 x 14
49243	749.036.00	2	Vite T.C.C.E. M6 x 16	49243	749.036.00	2	Screw M6 x 16
49244	749.037.00	8	Vite T.C.C.E. M6 x 20	49244	749.037.00	8	Screw M6 x 20
49247	749.039.00	8	Vite T.C.C.E. M6 x 35	49247	749.039.00	8	Screw M6 x 35
49255	749.176.00	3	Vite T.C.C.E. M6 x 12	49255	749.176.00	3	Screw M6 x 12
49285	749.191.00	1	Vite TE M8 x 1,25 x 15 scarico olio	49285	749.191.00	1	Oil drain plug M8 x 1,25 x 15
49292	184.218.00	2	Vite antimanomissione M6	49292	184.218.00	2	Antitampering screw
49352	749.192.00	1	Rondella conica scodellino messa in moto	49352	749.192.00	1	Washer
49353	749.193.00	1	Rondella Ø 10,5 x 18 x 2	49353	749.193.00	1	Washer Ø 10,5 x 18 x 2
49354	749.194.00	2	Rondella Ø 8 x 16 x 2	49354	749.194.00	2	Washer Ø 8 x 16 x 2
49500	749.196.00	2	Vite T.C.C.E. M6 x 20 (nera)	49500	749.196.00	2	Screw M6 x 20 (black)
49501	749.197.00	9	Vite T.C.C.E. M6 x 25 (nera)	49501	749.197.00	9	Screw M6 x 25 (black)
49502	749.207.00	2	Vite T.C.C.E. M6 x 35 (nera)	49502	749.207.00	2	Screw M6 x 35 (black)
49503	749.208.00	1	Vite T.C.C.E. M6 x 45 (nera)	49503	749.208.00	1	Screw M6 x 45 (black)
49508	749.201.00	3	Vite T.C.C.E. M6 x 16	49508	749.201.00	3	Screw M6 x 16
51101	751.066.00	2	Cuscinetto Ø 20 x 47 x 14 (6204 - TN9 - C4)	51101	751.066.00	2	Bearing Ø 20 x 47 x 14 (6204 - TN9 - C4)
51301	751.053.00	1	Gabbia Ø 57 x 61 x 10 (57RFN - 6110A)	51301	751.053.00	1	Roller bearing Ø 57 x 61 x 10 (57RFN - 6110A)
53501	753.115.00	1	Paraolio Ø 20 x 30/34 x 5/6,1	53501	753.115.00	1	Oil seal Ø 20 x 30/34 x 5/6,1
53502	753.116.00	1	Paraolio Ø 20 x 42/43 x 8/9	53502	753.116.00	1	Oil seal Ø 20 x 42/43 x 8/9
53503	753.117.00	1	Paraolio Ø 17 x 28 x 5,5	53503	753.117.00	1	Oil seal Ø 17 x 28 x 5,5
53504	753.118.00	1	Paraolio Ø 22 x 32 x 6	53504	753.118.00	1	Oil seal Ø 22 x 32 x 6
53506	753.136.00	2	Paraolio Ø 34 x 39 x 3	53506	753.136.00	2	Oil seal Ø 34 x 39 x 3
--	740.143.00	1	Gruppo variatore con frizione	--	740.143.00	1	Variable transmission clutch set
--	771.124.00	1	Serie paraoli	--	771.124.00	1	Oil seal set
--	799.079.00	1	Serie guarnizioni	--	799.079.00	1	Gasket set
--	771.121.00	1	Pistone completo Ø 40,5 - 1° maggiorazione	--	771.121.00	1	1° oversized piston assy Ø 40,5 -
--	771.122.00	1	Serie segmenti Ø 40,5 - 1° maggiorazione	--	771.122.00	1	1° oversized piston ring set Ø 40,5 -
--	142.130.03	1	Motore completo EURO 2 - 2004 (174.126)	--	142.130.03	1	Engine assy EURO 2 - 2004 (174.126)

# F 12 ARIA Restyling KAT EURO 2 - 2004

## Motore MY 50 - MY 50 engine



**Carburatore**
**Carburettor**


Nr.	Codice	Q.tà	Descrizione
01	623.101.00	1	Cappuccio starter
02	623.120.00	1	Starter completo
03	623.106.00	3	Vite
04	623.117.00	1	Coperchio carburatore
05	623.119.00	1	Kit guarnizioni
06	623.098.00	1	Molla valvola gas
07	623.230.00	1	Valvola gas completa
08	623.124.00	1	Kit tubi sfiato - presa aria
09	623.121.00	1	Vite regolazione valvola gas
10	623.122.00	1	Vite regolazione minimo
11	623.233.00	1	Vaschetta completa
12	623.229.00	1	Getto max. Ø 62
13	623.114.00	1	Valvola a spillo
14	623.232.00	1	Galleggiante completo
15	623.107.00	1	Vite fissaggio galleggiante
16	623.113.00	1	Polverizzatore
--	715.112.00	1	Carburatore completo Gurtner PY 12 / R 446

Nr.	Code	Q.tà	Description
01	623.101.00	1	Starter cap
02	623.120.00	1	Starter, complete
03	623.106.00	3	Screw
04	623.117.00	1	Carburettor cover
05	623.119.00	1	Gasket set
06	623.098.00	1	Throttle valve spring
07	623.230.00	1	Throttle valve, complete
08	623.124.00	1	Breather pipe/air intake kit
09	623.121.00	1	Throttle valve adj. screw
10	623.122.00	1	Idling mix adj. screw
11	623.233.00	1	Float chamber
12	623.229.00	1	Max jet Ø 62
13	623.114.00	1	Needle valve
14	623.232.00	1	Float assy
15	623.107.00	1	Float clamp screw
16	623.113.00	1	Spray nozzle
--	715.112.00	1	Carburettor assy Gurtner PY 12 / R 446