



Malaguti
IDEE IN MOTO

MADISON R 125 RESTYLING



TELAIO - INDICE TAVOLE

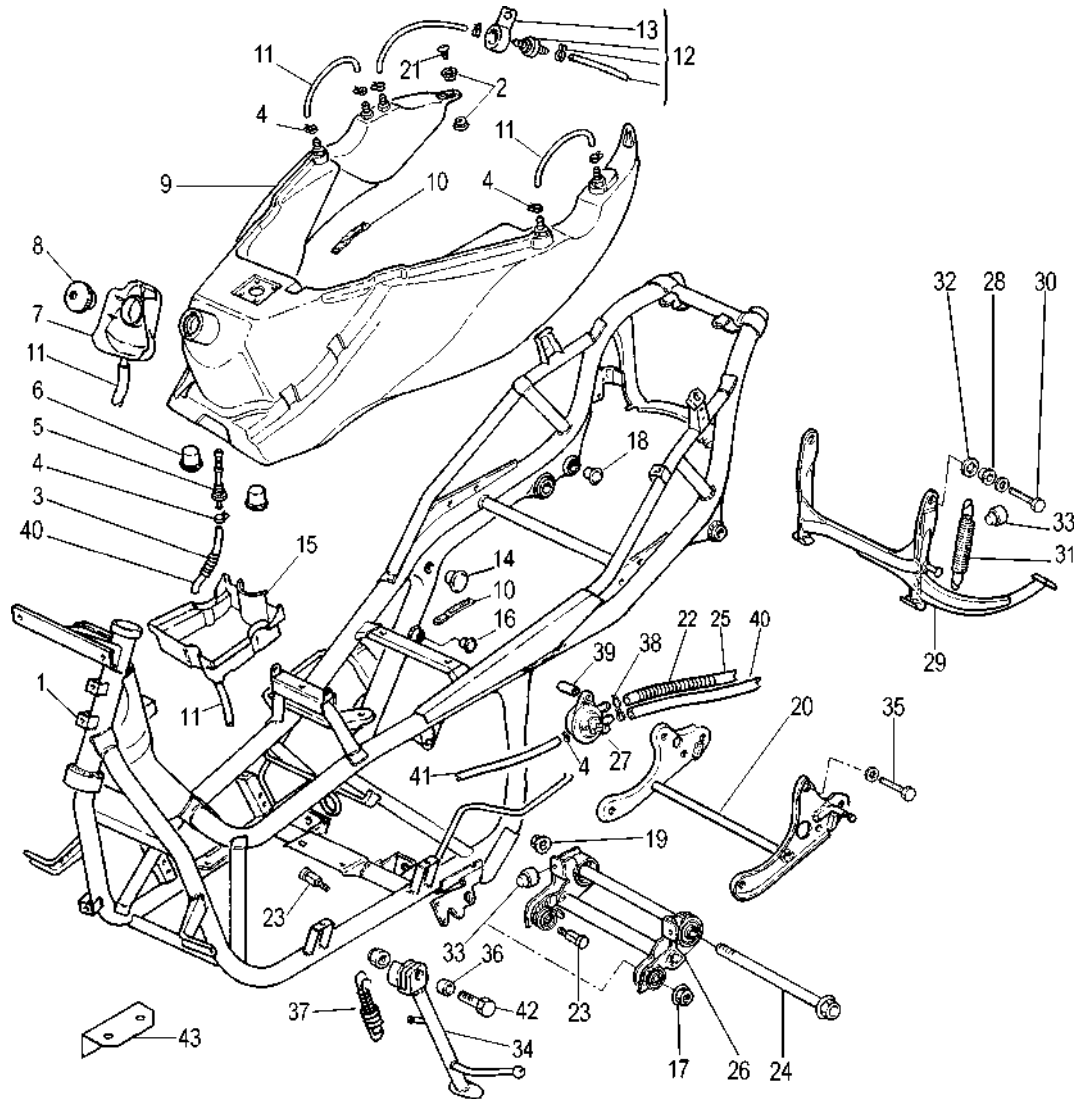
FRAME - INDEX OF THE TABLES

| | | | | |
|--------|--------|---------|--------|--------|
| TAV. A | TAV. B | TAV. C | TAV. D | TAV. E |
| TAV. F | TAV. G | TAV. H | TAV. I | TAV. L |
| TAV. M | TAV. N | TAV. OO | TAV. O | |

MOTORE - INDICE TAVOLE

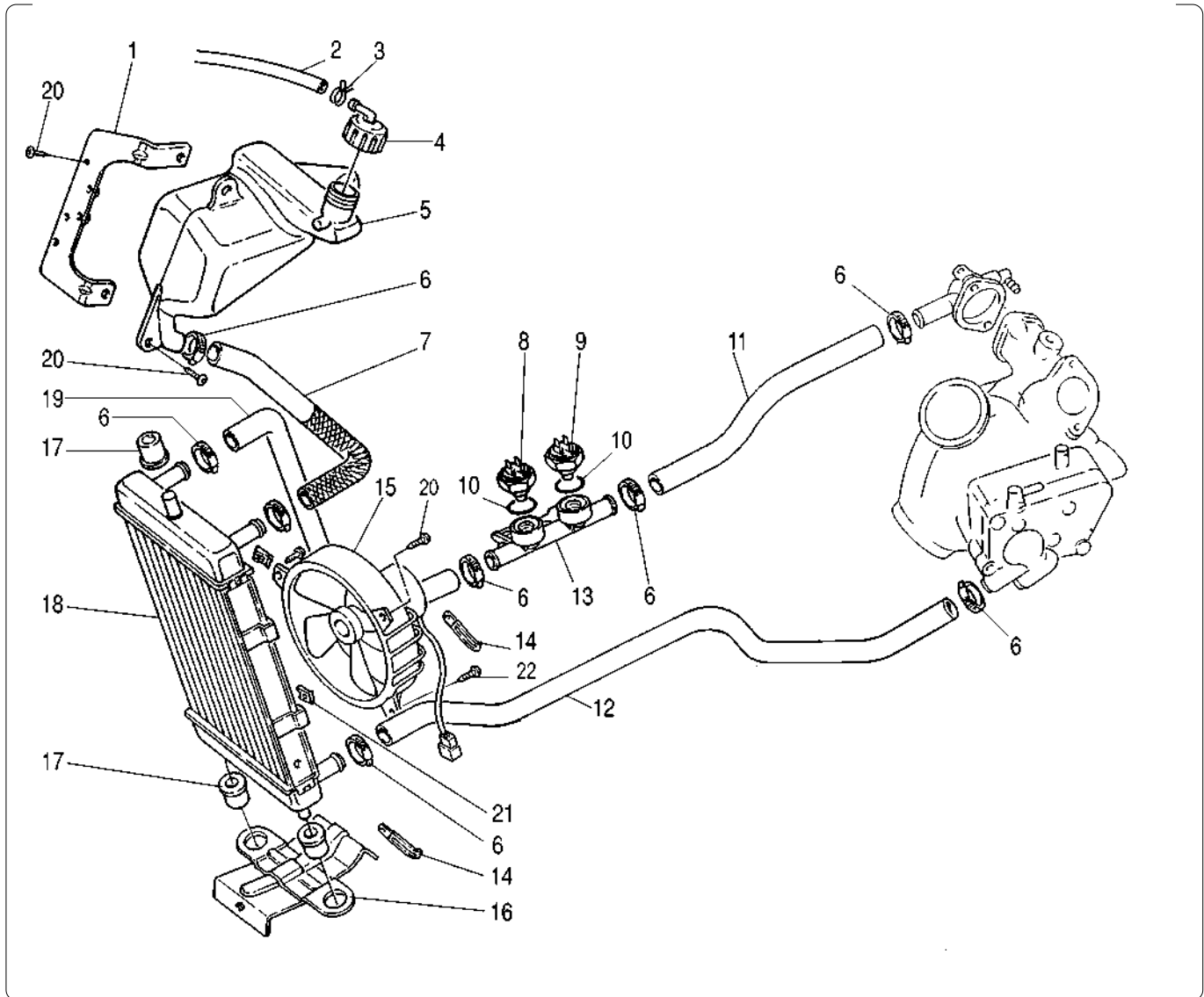
ENGINE - INDEX OF THE TABLES

| | | | | |
|------------|------------|------------|------------|-------------------------|
| TAV. R (1) | TAV. S (1) | TAV. T (1) | TAV. U (1) | TAV. R 2 CARBURATORE |
|------------|------------|------------|------------|-------------------------|



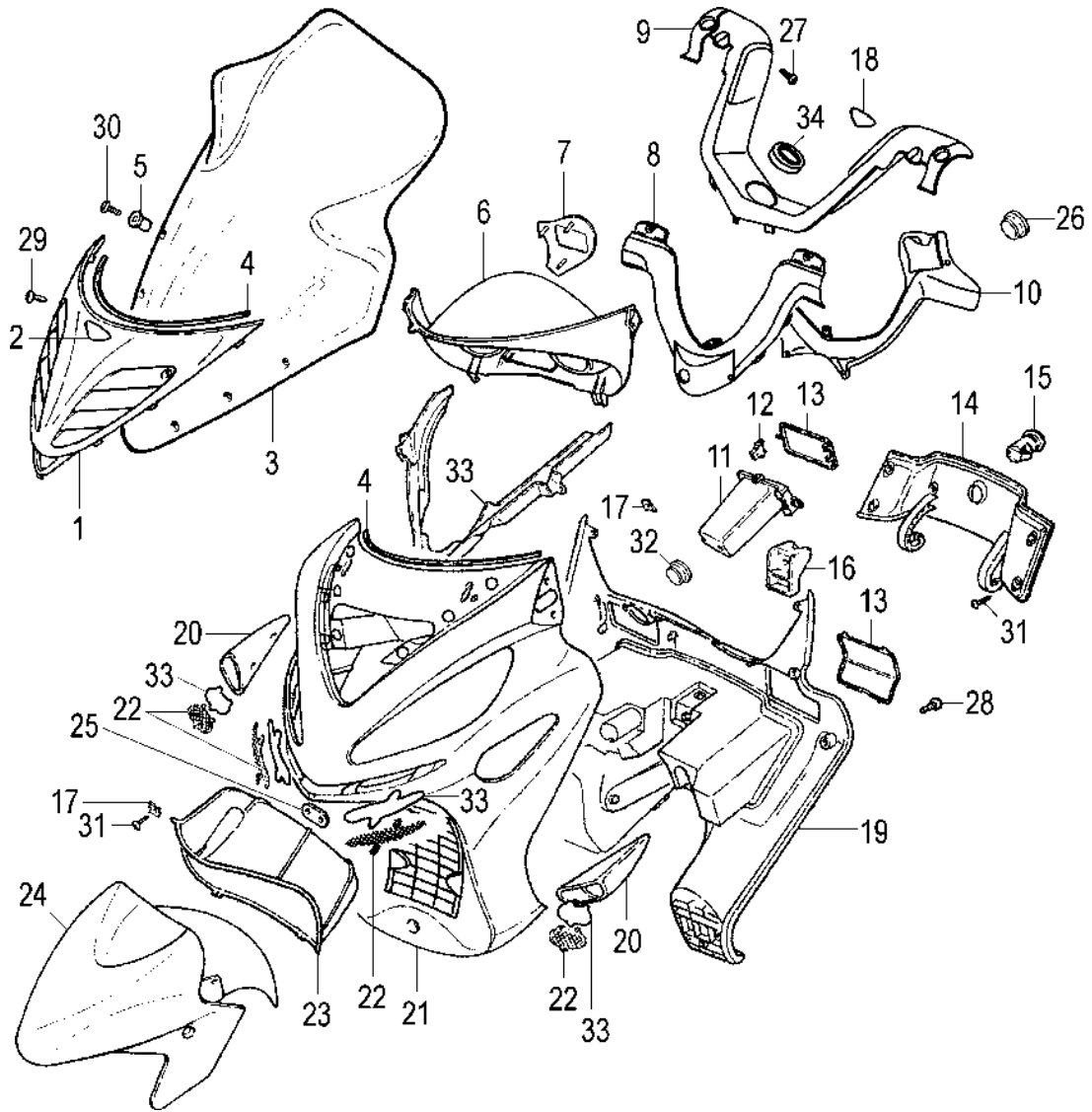
| Nr. | Codice | Q.tà | Descrizione |
|-----|------------|------|--------------------------------|
| 1 | 156.100.99 | 1 | Telaio |
| 2 | 150.148.14 | 2 | Boccola serbatoio |
| 3 | 147.127.13 | 1 | Molla protezione tubo benzina |
| 4 | 167.051.00 | 6 | Kit clips Madison |
| 5 | 094.012.00 | 1 | Filtro serbatoio benzina |
| 6 | 072.105.00 | 2 | Gommino serbatoio |
| 7 | 071.316.03 | 1 | Vaschetta raccogli goccia |
| 8 | 092.031.00 | 1 | Tappo serbatoio |
| 9 | 161.051.00 | 1 | Serbatoio |
| 10 | 167.039.00 | 2 | Fascetta plastificata |
| 11 | 180.002.54 | 5 | Tubo benzina |
| 12 | 094.013.00 | 1 | Kit valvola per scarico vapori |
| 13 | 072.006.00 | 1 | Gommino supporto valvola |
| 14 | 071.387.03 | 2 | Copritesta |
| 15 | 071.365.00 | 1 | Vaschetta antigoccia |
| 16 | 071.355.03 | 2 | Copritesta |
| 17 | 185.011.00 | 2 | Dado autobloccante |
| 18 | 071.386.03 | 2 | Tappo |
| 19 | 185.012.00 | 1 | Dado perno motore |
| 20 | 174.026.99 | 1 | Attacco motore |
| 21 | 184.060.15 | 2 | Vite fissaggio serbatoio |
| 22 | 147.089.13 | 1 | Molla protezione tubo benzina |
| 23 | 190.027.13 | 2 | Perno supporto attacco motore |
| 24 | 190.033.13 | 1 | Perno biella-attacco motore |
| 25 | 180.010.58 | 1 | Tubo benzina |

| Nr. | Code | Q.ty | Description |
|-----|------------|------|-------------------------|
| 1 | 156.100.99 | 1 | Frame |
| 2 | 150.148.14 | 2 | Fuel tank washer |
| 3 | 147.127.13 | 1 | Fuel hose spring |
| 4 | 167.051.00 | 6 | Fuel hose clips set |
| 5 | 094.012.00 | 1 | Fuel filter |
| 6 | 072.105.00 | 2 | Rubber grommet |
| 7 | 071.316.03 | 1 | Fuel tank box |
| 8 | 092.031.00 | 1 | Fuel tank cap |
| 9 | 161.051.00 | 1 | Petrol tank |
| 10 | 167.039.00 | 2 | Clamp |
| 11 | 180.002.54 | 5 | Fuel hose |
| 12 | 094.013.00 | 1 | Breather valve set |
| 13 | 072.006.00 | 1 | Rubber |
| 14 | 071.387.03 | 2 | Plug |
| 15 | 071.365.00 | 1 | Box |
| 16 | 071.355.03 | 2 | Plug |
| 17 | 185.011.00 | 2 | Lower engine mount bolt |
| 18 | 071.386.03 | 2 | Plug |
| 19 | 185.012.00 | 1 | Nut |
| 20 | 174.026.99 | 1 | Engine mount bracket |
| 21 | 184.060.15 | 2 | Fuel tank fixing screw |
| 22 | 147.089.13 | 1 | Pipe spring |
| 23 | 190.027.13 | 2 | Engine mounting bolt |
| 24 | 190.033.13 | 1 | Engine bracket nut |
| 25 | 180.010.58 | 1 | Fuel hose |



| Nr. | Codice | Q.tà | Descrizione |
|-----|------------|------|---------------------------------------|
| 1 | 310.632.13 | 1 | Piastra fissaggio vaso espansione |
| 2 | 180.002.54 | 1 | Tubo sfiato |
| 3 | 167.018.13 | 1 | Molla tubo sfiato |
| 4 | 071.219.03 | 1 | Tappo vaso espansione |
| 5 | 108.026.00 | 1 | Vaso espansione |
| 6 | 167.031.00 | 8 | Fascetta stringitubo |
| 7 | 077.033.00 | 1 | Manicotto radiatore - vaso espansione |
| 8 | 021.019.00 | 1 | Termostato bianco elettroventola |
| 9 | 021.020.00 | 1 | Termostato nero starter |
| 10 | 072.096.00 | 2 | Anello O.R. |
| 11 | 077.031.00 | 1 | Tubo mandata motore - raccordo |
| 12 | 077.034.00 | 1 | Tubo ritorno radiatore - motore |
| 13 | 077.035.00 | 1 | Raccordo sensori |
| 14 | 167.039.00 | 2 | Fascetta plastificata |
| 15 | 024.045.00 | 1 | Elettroventola |
| 16 | 182.025.13 | 1 | Piastra fissaggio radiatore |
| 17 | 075.021.00 | 3 | Silentblock |
| 18 | 108.025.00 | 1 | Radiatore |
| 19 | 077.032.00 | 1 | Tubo mandata raccordo - radiatore |
| 20 | 184.059.15 | 5 | Vite fissaggio |
| 21 | 184.206.00 | 3 | Clips per vite |
| 22 | 184.058.15 | 2 | Vite fissaggio |

| Nr. | Code | Q.ty | Description |
|-----|------------|------|-----------------------------|
| 1 | 310.632.13 | 1 | Expansion tank bracket |
| 2 | 180.002.54 | 1 | Breather pipe |
| 3 | 167.018.13 | 1 | Breather pipe spring |
| 4 | 071.219.03 | 1 | Expansion tank cap |
| 5 | 108.026.00 | 1 | Expansion tank |
| 6 | 167.031.00 | 8 | Clamp |
| 7 | 077.033.00 | 1 | Sleeve |
| 8 | 021.019.00 | 1 | Thermo-switch, electric fan |
| 9 | 021.020.00 | 1 | Thermo-switch, starter |
| 10 | 072.096.00 | 2 | O ring |
| 11 | 077.031.00 | 1 | Delivery pipe |
| 12 | 077.034.00 | 1 | Return pipe |
| 13 | 077.035.00 | 1 | Sensor bracket |
| 14 | 167.039.00 | 2 | Clamp |
| 15 | 024.045.00 | 1 | Electric fan |
| 16 | 182.025.13 | 1 | Water cooler bracket |
| 17 | 075.021.00 | 3 | Silentblock |
| 18 | 108.025.00 | 1 | Water cooler |
| 19 | 077.032.00 | 1 | Delivery pipe |
| 20 | 184.059.15 | 5 | Fixing screw |
| 21 | 184.206.00 | 3 | Clips |
| 22 | 184.058.15 | 2 | Fixing screw |

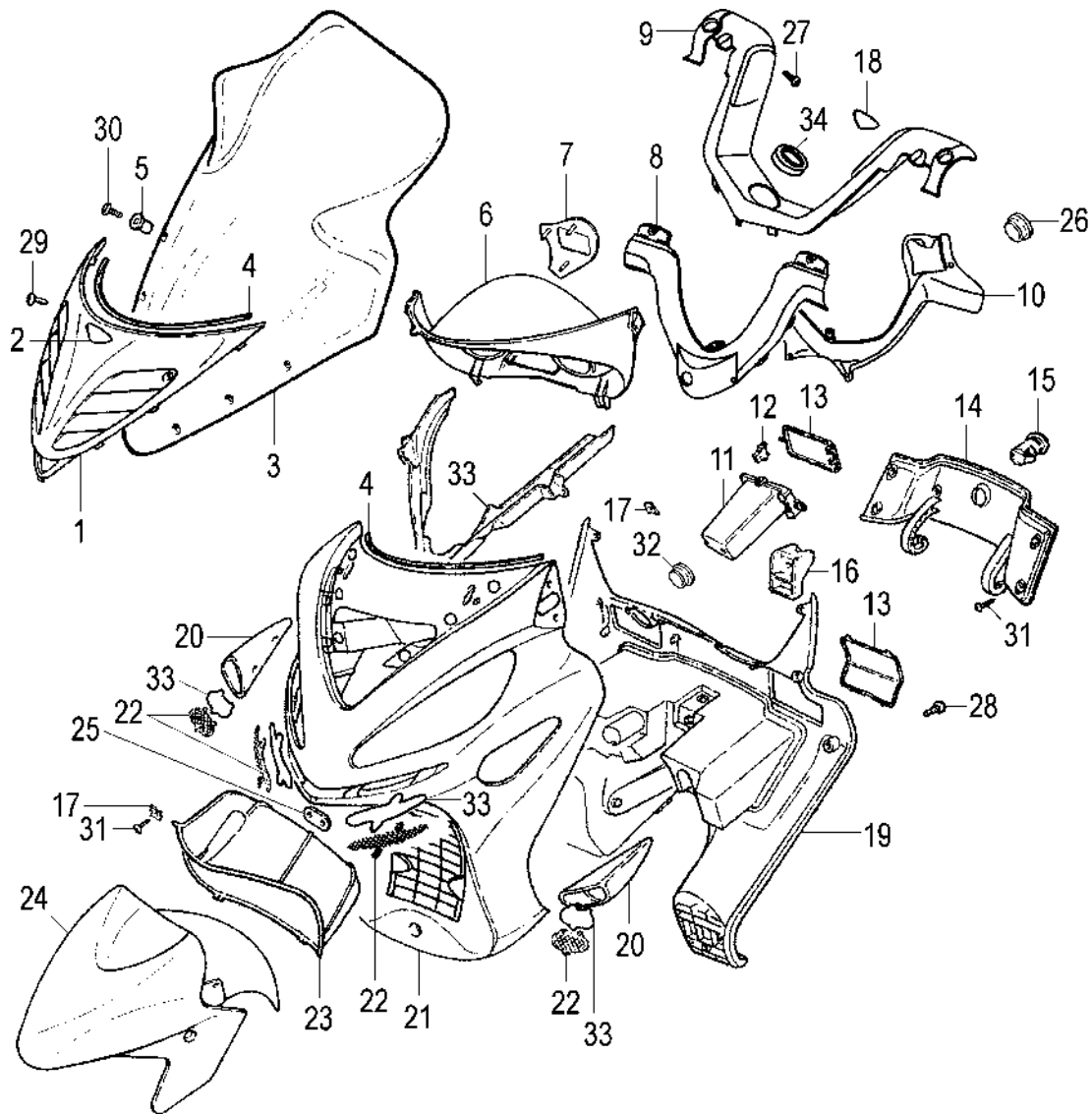


| Nr. | Codice | Q.tà | Descrizione |
|-----|-------------|------|--------------------------------------|
| 1 | 066.075.73 | 1 | Scudo centrale |
| 2 | 181.338.00 | 1 | Etichetta scudo |
| 3 | 063.158.00 | 1 | Lastra parabrezza |
| 4 | 072.117.50 | 2 | Guarnizione scudo parabrezza |
| 5 | 075.028.00 | 6 | Boccola antivibrante |
| 6 | 071.310.03 | 1 | Cornice cruscotto |
| 7 | 071.370.88 | 1 | Mascherina orologio |
| 8 | 071.482.03 | 1 | Coprimanubrio anteriore |
| 9 | 071.480.88 | 1 | Coprimanubrio superiore |
| 10 | 071.483.03 | 1 | Coprimanubrio posteriore |
| 11 | 071.352.03 | 1 | Vaschetta porta ticket |
| 12 | 071.324.03 | 1 | Push-push apertura rapida |
| 13 | 071.377.03 | 1 | Kit sportelli ticket-vaso espansione |
| 14 | 071.397.07 | 1 | Sportello paragambe completo |
| 15 | 090.024.00 | 1 | Serratura |
| 16 | 071.446.03 | 1 | Contenimento serratura |
| 17 | 184.007.00 | 24 | Clips in dacromet |
| 18 | 181.338.00 | 1 | Etichetta manubrio |
| 19 | 065.062.07 | 1 | Paragambe |
| 20 | 071.314.73 | 1 | Prese d' aria in coppia |
| 21 | 066.074.- - | 1 | Scudo * |
| 22 | 071.376.00 | 1 | Kit griglie acciaio inox |
| 23 | 055.054.03 | 1 | Parafango sottoscudo |

| Nr. | Code | Q.ty | Description |
|-----|-------------|------|----------------------------|
| 1 | 066.075.73 | 1 | Central shield |
| 2 | 181.338.00 | 1 | Shield label |
| 3 | 063.158.00 | 1 | Windscreen |
| 4 | 072.117.50 | 2 | Gasket |
| 5 | 075.028.00 | 6 | Windscreen mounting washer |
| 6 | 071.310.03 | 1 | Dashboard rim |
| 7 | 071.370.88 | 1 | Cover |
| 8 | 071.482.03 | 1 | Handlebar cover (upper) |
| 9 | 071.480.88 | 1 | Handlebar cover (central) |
| 10 | 071.483.03 | 1 | Handlebar cover (lower) |
| 11 | 071.352.03 | 1 | Mobile box |
| 12 | 071.324.03 | 1 | Push-push button |
| 13 | 071.377.03 | 1 | Cover set |
| 14 | 071.397.07 | 1 | Glove box cover |
| 15 | 090.024.00 | 1 | Glove box lock |
| 16 | 071.446.03 | 1 | Glove box lock rim |
| 17 | 184.007.00 | 24 | Clips |
| 18 | 181.338.00 | 1 | "Malaguti" blue label |
| 19 | 065.062.07 | 1 | Inner shield |
| 20 | 071.314.73 | 1 | Air intake cover set |
| 21 | 066.074.- - | 1 | Front shield * |
| 22 | 071.376.00 | 1 | Grille set |
| 23 | 055.054.03 | 1 | Inner front mudguard |

* Vedi tavola N° 00 Colori

* Refer to N° 00 colour table

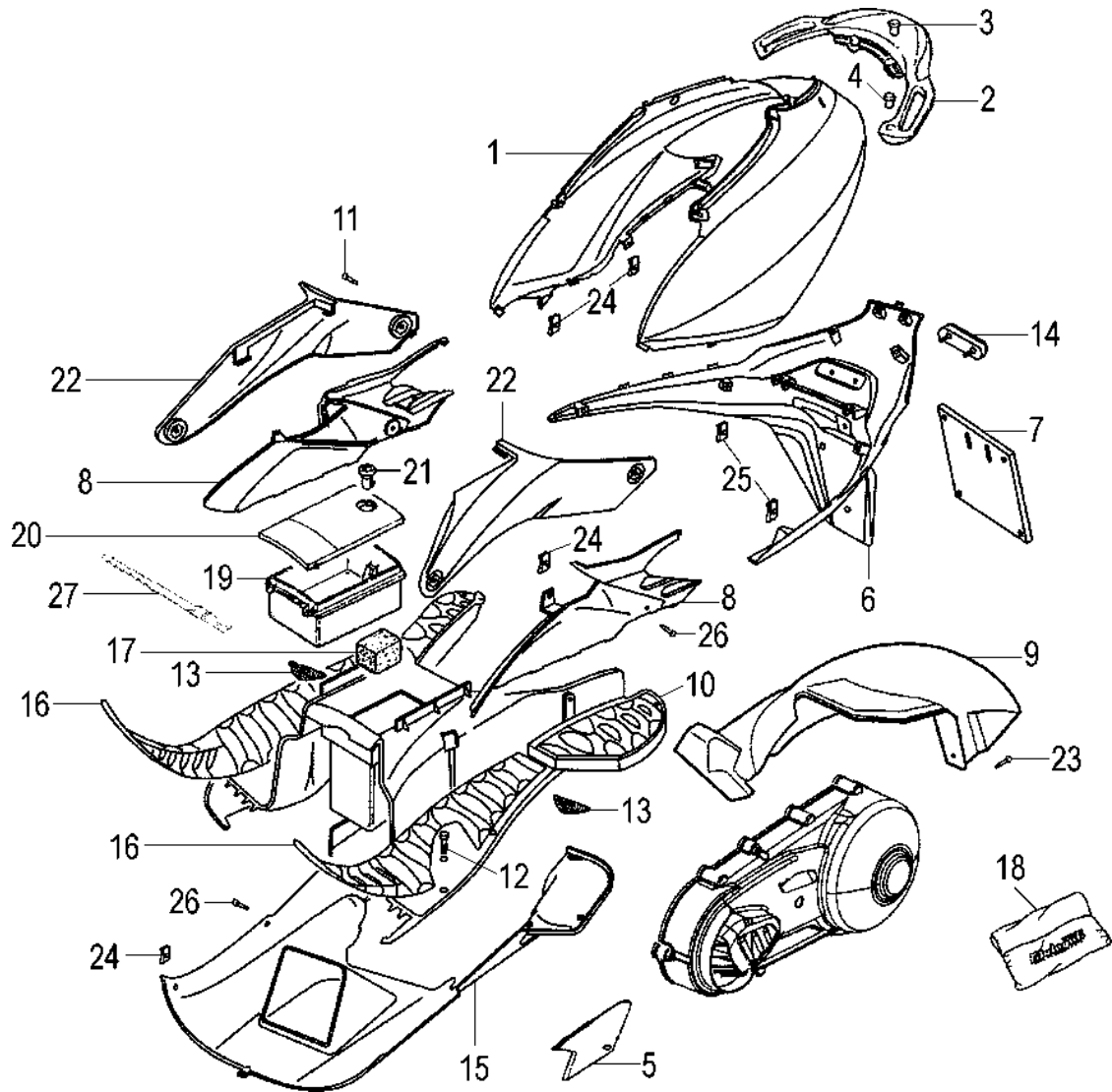


| Nr. | Codice | Q.tà | Descrizione |
|-----|-------------|------|------------------------------------|
| 24 | 055.053.- - | 1 | Parafango anteriore * |
| 25 | 191.036.13 | 1 | Piastrina unione sottoscudo |
| 26 | 071.355.03 | 1 | Tappo coprimanubrio |
| 27 | 184.042.50 | 3 | Vite autofilettante inox |
| 28 | 184.041.15 | 12 | Vite per scudo paragambe |
| 29 | 184.047.15 | 10 | Vite truciolare scudo |
| 30 | 184.060.15 | 6 | Vite parabrezza |
| 31 | 184.042.15 | 10 | Vite autofilettante sportello |
| 32 | 071.355.03 | 1 | Tappo presa di cortesia |
| 33 | 071.392.03 | 1 | Grondaia scudo + prese d'aria |
| 34 | 071.487.88 | 1 | Coperchio coprimanubrio |
| -- | 181.323.00 | 1 | Completo marche MADISON |
| -- | 181.323.03 | 1 | Completo marche BLACK RIDER |

| Nr. | Code | Q.ty | Description |
|-----|-------------|------|-----------------------------------|
| 24 | 055.053.- - | 1 | Front mudguard * |
| 25 | 191.036.13 | 1 | Bracket plate |
| 26 | 071.355.03 | 1 | Plug |
| 27 | 184.042.50 | 3 | Screw |
| 28 | 184.041.15 | 12 | Inner shield screw |
| 29 | 184.047.15 | 10 | Screw |
| 30 | 184.060.15 | 6 | Windscreen screw |
| 31 | 184.042.15 | 10 | Screw |
| 32 | 071.355.03 | 1 | Plug |
| 33 | 071.392.03 | 1 | Shield waterproofing + grille set |
| 34 | 071.487.88 | 1 | Cover |
| -- | 181.323.00 | 1 | MADISON label set |
| -- | 181.323.03 | 1 | BLACK RIDER label set |

* Vedi tavola N° 00 Colori

* Refer to N° 00 colour table

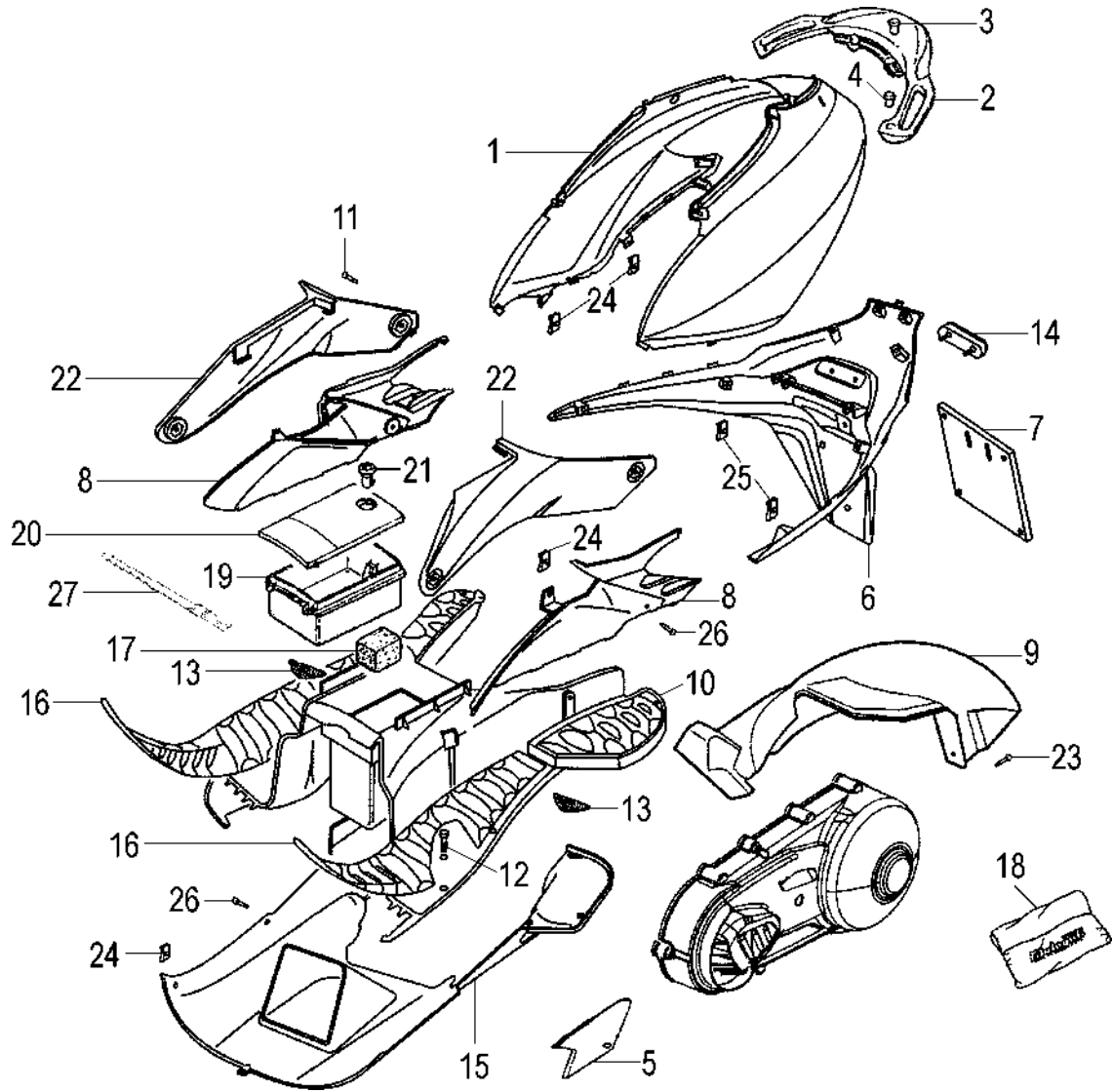


| Nr. | Codice | Q.tà | Descrizione |
|-----|-------------|------|-------------------------------------|
| 1 | 063.221.- - | 1 | Carena posteriore * |
| 2 | 063.161.- - | 1 | Maniglia posteriore * |
| 3 | 150.210.13 | 2 | Boccola posteriore spoiler |
| 4 | 150.230.14 | 2 | Boccola anteriore spoiler |
| 5 | 071.489.03 | 1 | Coperchio puntone |
| 6 | 063.222.03 | 1 | Codino inferiore |
| 7 | 008.006.00 | 1 | Porta targa |
| 8 | 063.231.00 | 1 | Fianchetti inferiori dx / sx in cp. |
| 9 | 056.057.03 | 1 | Parafango posteriore |
| 10 | 064.028.03 | 1 | Pedana poggia piedi |
| 11 | 184.073.00 | 4 | Vite truciolare |
| 12 | 184.059.15 | 6 | Vite |
| 13 | 071.376.00 | 1 | Kit griglie acciaio inox |
| 14 | 071.322.00 | 1 | Catadiottro rosso ovale |
| 15 | 063.220.- - | 1 | Puntone * |
| 16 | 064.029.03 | 1 | Pedane in gomma poggia piedi |
| 17 | 072.082.03 | 1 | Tampone in spugna |
| 18 | 086.012.00 | 1 | Trousse accessori |
| 19 | 071.379.03 | 1 | Vaschetta centrale |
| 20 | 071.380.00 | 1 | Sportello centrale |
| 21 | 090.024.00 | 1 | Serratura |
| 22 | 063.233.00 | 1 | Copritunnel dx / sx in cp. |
| 23 | 184.041.15 | 1 | Vite truciolare |

* Vedi tavola N° 00 Colori

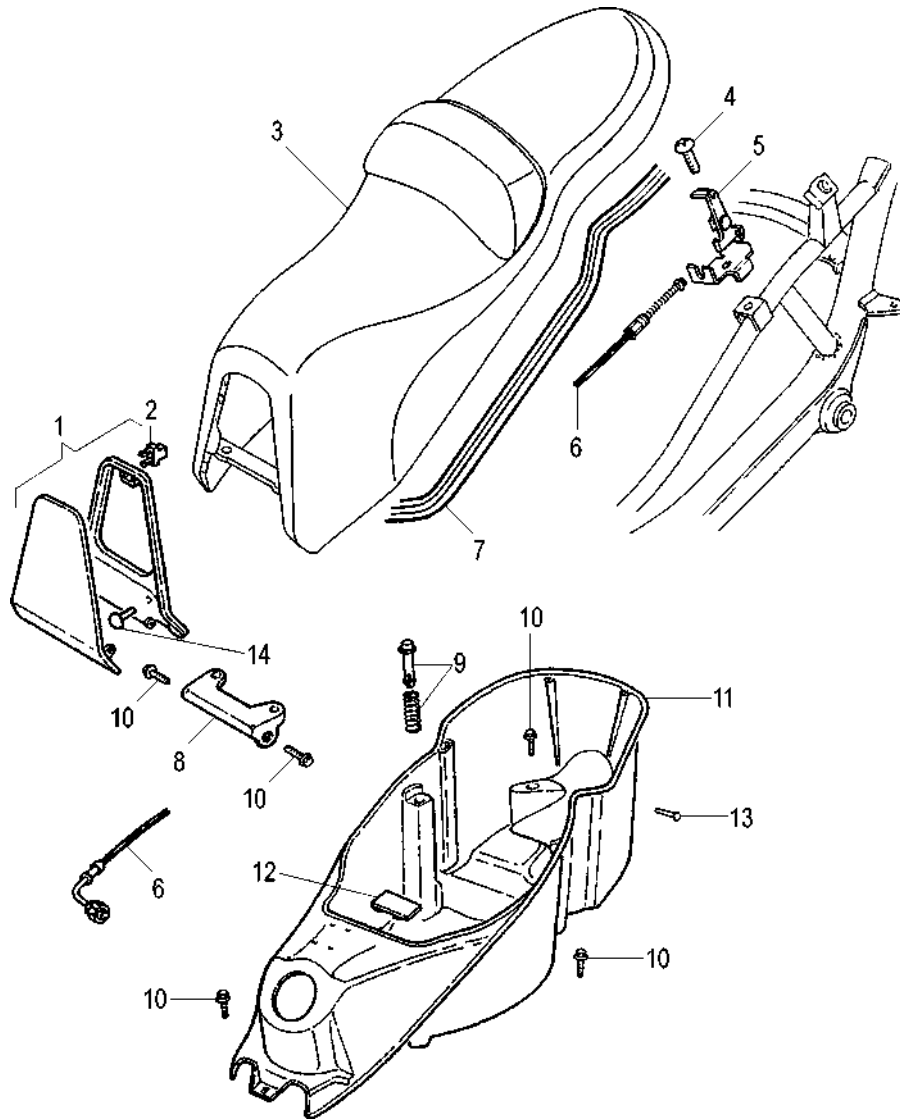
| Nr. | Code | Q.ty | Description |
|-----|-------------|------|---------------------|
| 1 | 063.221.- - | 1 | Rear fairing * |
| 2 | 063.161.- - | 1 | Rear handle * |
| 3 | 150.210.13 | 2 | Fixing bush |
| 4 | 150.230.14 | 2 | Fixing bush |
| 5 | 071.489.03 | 1 | Belly pan cover |
| 6 | 063.222.03 | 1 | Mudflap tail |
| 7 | 008.006.00 | 1 | Number plate holder |
| 8 | 063.231.03 | 1 | Side cover set |
| 9 | 056.057.03 | 1 | Rear mudguard |
| 10 | 064.028.03 | 1 | Footboard panel |
| 11 | 184.073.00 | 4 | Screw |
| 12 | 184.059.15 | 6 | Screw |
| 13 | 071.376.00 | 1 | Grille set |
| 14 | 071.322.00 | 1 | Red reflector |
| 15 | 063.220.- - | 1 | Belly pan * |
| 16 | 064.029.03 | 1 | Mat set |
| 17 | 072.082.03 | 1 | Pad |
| 18 | 086.012.00 | 1 | Tool kit |
| 19 | 071.379.03 | 1 | Tool box |
| 20 | 071.380.00 | 1 | Tool box cover |
| 21 | 090.024.00 | 1 | Tool box lock |
| 22 | 063.233.00 | 1 | Cover set |
| 23 | 184.041.15 | 1 | Screw |

* Refer to N° 00 colour table



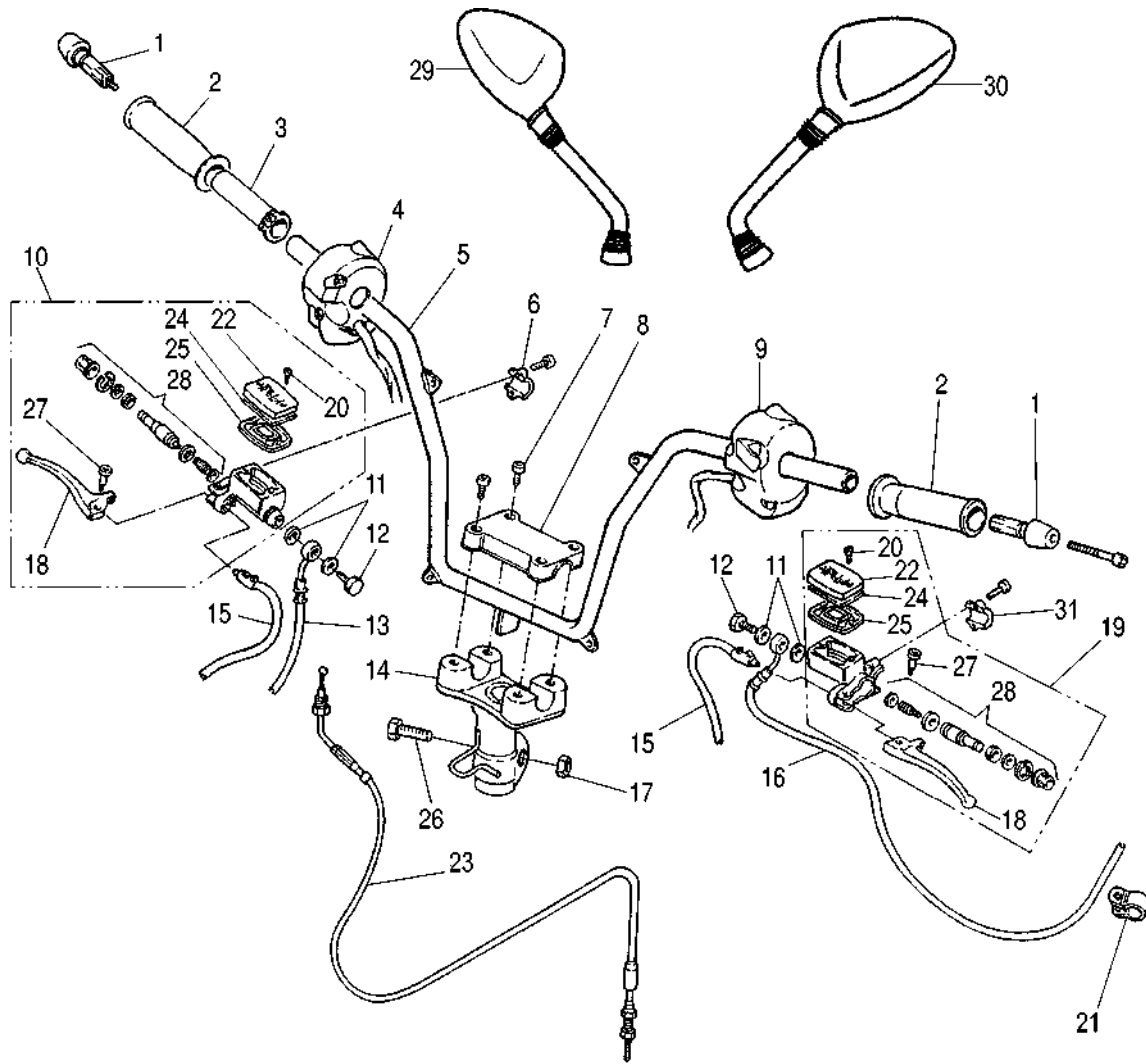
| Nr. | Codice | Q.tà | Descrizione |
|-----|------------|------|------------------------------------|
| 24 | 184.007.00 | 24 | Clips per vite autofilettante |
| 25 | 184.196.14 | 2 | Clips per vite |
| 26 | 184.043.15 | 20 | Vite autofilettante |
| 27 | 167.054.03 | 1 | Cinturino in plastica |
| -- | 181.323.00 | 1 | Completo marche MADISON |
| -- | 181.323.03 | 1 | Completo marche BLACK RIDER |

| Nr. | Code | Q.ty | Description |
|-----|------------|------|------------------------------|
| 24 | 184.007.00 | 24 | Clip |
| 25 | 184.196.14 | 2 | Clip |
| 26 | 184.043.15 | 20 | Screw |
| 27 | 167.054.03 | 1 | Tool blocking belt |
| -- | 181.323.00 | 1 | MADISON label set |
| -- | 181.323.03 | 1 | BLACK RIDER label set |



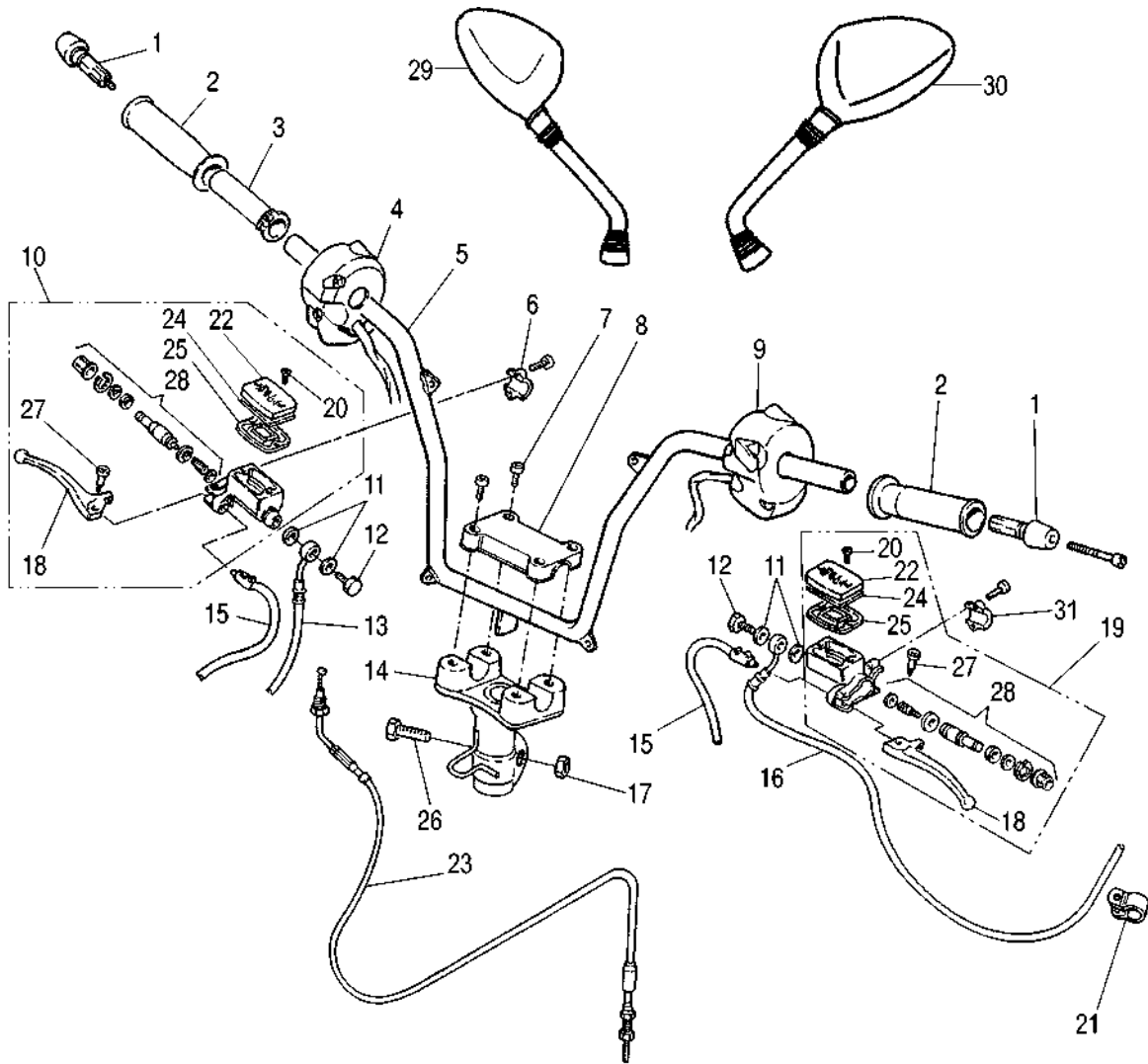
| Nr. | Codice | Q.tà | Descrizione |
|-----|------------|------|-------------------------------|
| 1 | 071.372.00 | 1 | Sportello benzina con cornice |
| 2 | 071.324.03 | 1 | Push-push apertura rapida |
| 3 | 106.095.03 | 1 | Sellone completo di chiusura |
| 4 | 184.059.15 | 1 | Vite sgancio sella |
| 5 | 079.019.13 | 1 | Gruppo sgancio sella |
| 6 | 035.020.03 | 1 | Trasmissione serratura sella |
| 7 | 072.061.03 | 1 | Guarnizione sella |
| 8 | 188.051.13 | 1 | Cerniera sella |
| 9 | 071.373.00 | 2 | Push-up sella completo |
| 10 | 190.022.00 | 7 | Vite fissaggio vano casco |
| 11 | 065.063.03 | 1 | Vano casco completo |
| 12 | 071.145.03 | 1 | Coperchio numero telaio |
| 13 | 190.039.00 | 2 | Perno di fermo gancio sella |
| 14 | 071.152.03 | 1 | Gommino paracolpi |

| Nr. | Code | Q.ty | Description |
|-----|------------|------|--------------------------|
| 1 | 071.372.00 | 1 | Fuel tank panel |
| 2 | 071.324.03 | 1 | Push-push button |
| 3 | 106.095.03 | 1 | Seat |
| 4 | 184.059.15 | 1 | Screw |
| 5 | 079.019.13 | 1 | Seat opening set |
| 6 | 035.020.03 | 1 | Seat lock cable |
| 7 | 072.061.03 | 1 | Seat gasket |
| 8 | 188.051.13 | 1 | Seat hinge |
| 9 | 071.373.00 | 2 | Seat push-up |
| 10 | 190.022.00 | 7 | Helmet case fixing screw |
| 11 | 065.063.03 | 1 | Helmet case |
| 12 | 071.145.03 | 1 | VIN numbers cover |
| 13 | 190.039.00 | 2 | Pin |
| 14 | 071.152.03 | 1 | Bump stop |



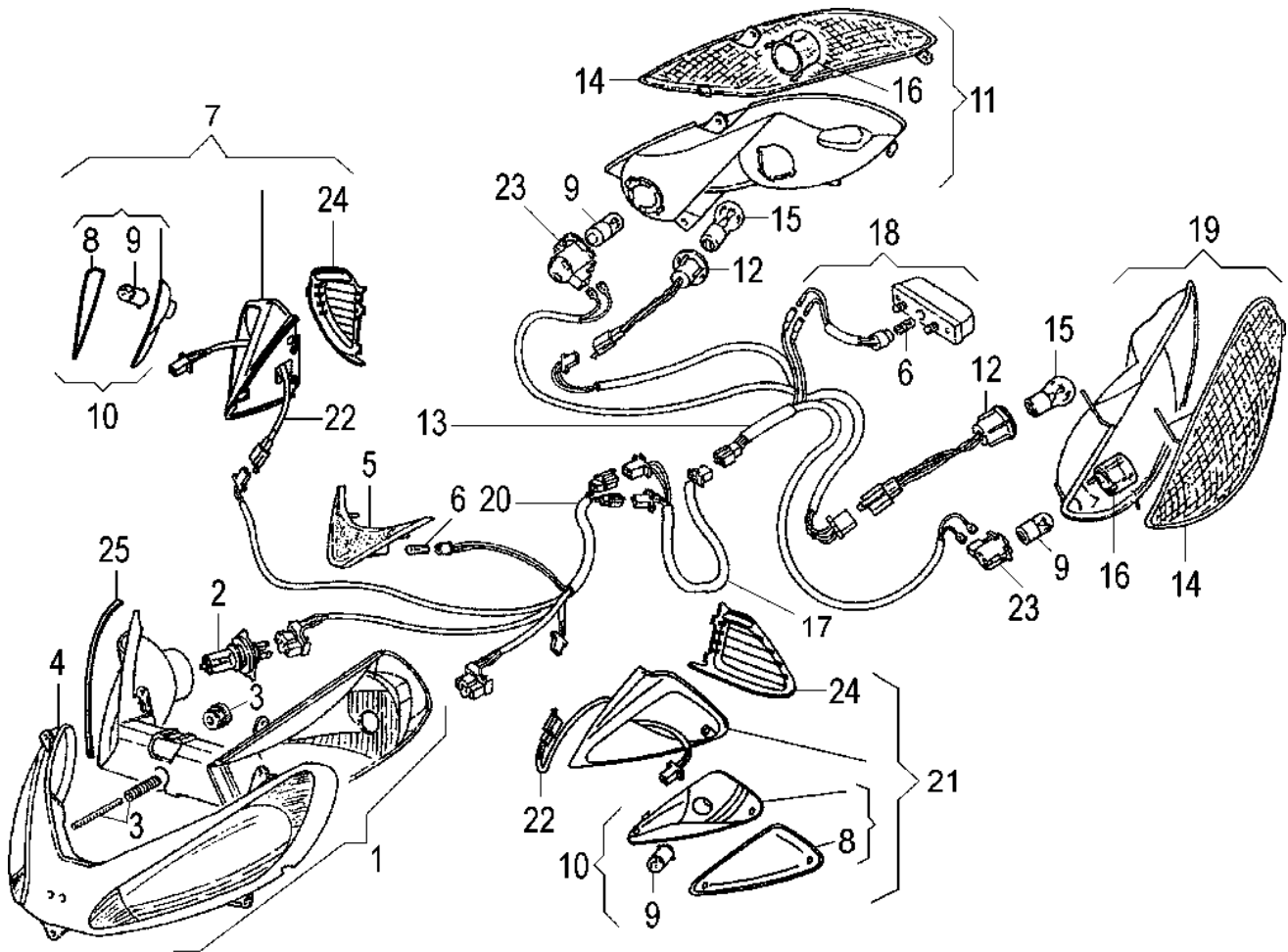
| Nr. | Codice | Q.tà | Descrizione |
|-----|------------|------|--|
| 1 | 163.002.03 | 2 | Contrappesi manubrio |
| 2 | 097.020.03 | 1 | Kit manopole sx / dx |
| 3 | 027.014.00 | 1 | Tubo comando gas |
| 4 | 020.055.00 | 1 | Commutatore dx |
| 5 | 162.040.13 | 1 | Manubrio |
| 6 | 121.151.00 | 1 | Attacco pompa dx |
| 7 | 184.038.13 | 4 | Vite |
| 8 | 148.005.00 | 1 | Morsetto manubrio |
| 9 | 020.049.00 | 1 | Commutatore luci sx |
| 10 | 030.027.03 | 1 | Pompa freno dx completa di leva |
| 11 | 190.006.00 | 4 | Rasamento |
| 12 | 150.024.14 | 2 | Vite trasmissione idraulica |
| 13 | 033.040.00 | 1 | Trasmissione idraulica anteriore |
| 14 | 300.340.00 | 1 | Piantone manubrio |
| 15 | 021.018.00 | 2 | Interruttore stop |
| 16 | 033.037.00 | 1 | Trasmissione idraulica posteriore |
| 17 | 184.115.13 | 1 | Dado vite manubrio |
| 18 | 121.143.03 | 2 | Leva freno sx / dx |
| 19 | 030.026.03 | 1 | Pompa freno sx completa di leva |
| 20 | 184.179.00 | 4 | Vite coperchio pompa |
| 21 | 167.038.00 | 1 | Fascetta trasmissione freno posteriore |
| 22 | 121.145.00 | 2 | Coperchio pompa |
| 23 | 034.085.03 | 1 | Trasmissione gas |
| 24 | 121.141.00 | 2 | Scodellino coperchio pompa |
| 25 | 121.099.00 | 2 | Guarnizione pompa |

| Nr. | Code | Q.ty | Description |
|-----|------------|------|----------------------------|
| 1 | 163.002.03 | 2 | Bar ends set |
| 2 | 097.020.03 | 1 | Handgrip set |
| 3 | 027.014.00 | 1 | Twistgrip |
| 4 | 020.055.00 | 1 | R/h switch |
| 5 | 162.040.13 | 1 | Handlebar |
| 6 | 121.151.00 | 1 | R/h front brake pump clamp |
| 7 | 184.038.13 | 4 | Screw |
| 8 | 148.005.00 | 1 | Handlebar clamp |
| 9 | 020.049.00 | 1 | L/h switch |
| 10 | 030.027.03 | 1 | R/h brake pump assy |
| 11 | 190.006.00 | 4 | Copper banjo washer |
| 12 | 150.024.14 | 2 | Brake hose bolt |
| 13 | 033.040.00 | 1 | Front hydraulic brake hose |
| 14 | 300.340.00 | 1 | Handlebar bracket |
| 15 | 021.018.00 | 2 | Stop switch |
| 16 | 033.037.00 | 1 | Rear hydraulic brake hose |
| 17 | 184.115.13 | 1 | Nut |
| 18 | 121.143.03 | 2 | L/h-r/h brake lever |
| 19 | 030.026.03 | 1 | L/h brake pump assy |
| 20 | 184.179.00 | 4 | Pump cover screw |
| 21 | 167.038.00 | 1 | Clamp |
| 22 | 121.145.00 | 2 | Pump cover |
| 23 | 034.085.03 | 1 | Throttle cable |
| 24 | 121.141.00 | 2 | Pump top seal |
| 25 | 121.099.00 | 2 | Pump gasket |

Manubrio e comandi - Handlebar & controls


| Nr. | Codice | Q.tà | Descrizione |
|-----|------------|------|-------------------------|
| 26 | 150.179.13 | 1 | Vite fissaggio manubrio |
| 27 | 121.106.00 | 2 | Vite fulcro leva |
| 28 | 121.144.03 | 2 | Pistone pompa |
| 29 | 088.040.03 | 1 | Specchio sx |
| 30 | 088.041.03 | 1 | Specchio dx |
| 31 | 121.152.00 | 1 | Attacco pompa sx |

| Nr. | Code | Q.ty | Description |
|-----|------------|------|----------------------------|
| 26 | 150.179.13 | 1 | Handlebar fixing screw |
| 27 | 121.106.00 | 2 | Lever bolt |
| 28 | 121.144.03 | 2 | Master cylinder set |
| 29 | 088.040.03 | 1 | L/h mirror |
| 30 | 088.041.03 | 1 | R/h mirror |
| 31 | 121.152.00 | 1 | L/h front brake pump clamp |

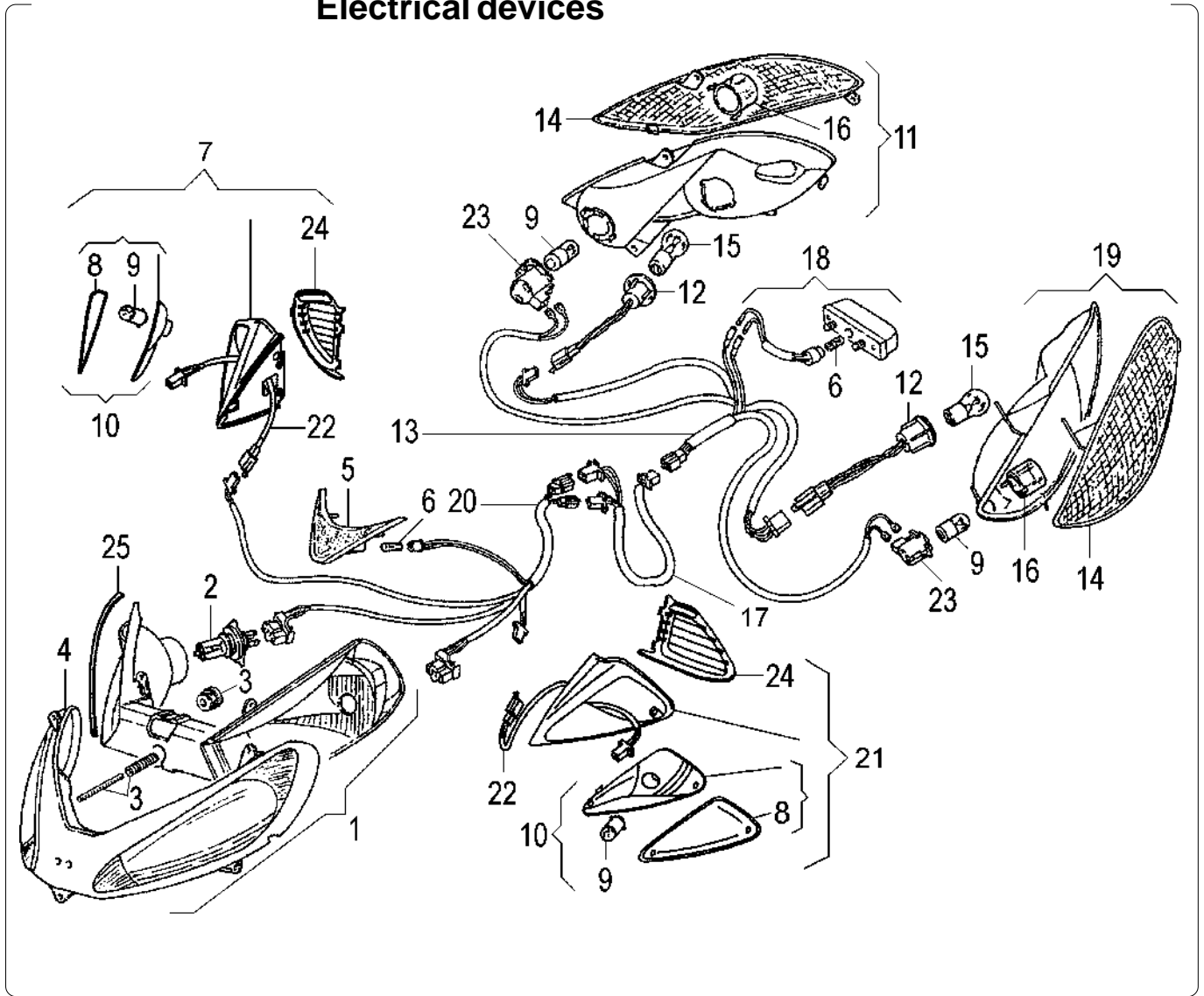
Impianto elettrico - Cablaggio e fanaleria
Electrical devices


| Nr. | Codice | Q.tà | Descrizione |
|-----|-------------|------|--|
| 1 | 015.042.00 | 1 | Faro completo |
| 2 | 022.100.00 | 2 | Lampada HS1 12 V - 35+35 W |
| 3 | 184.205.00 | 1 | Kit regolazione faro |
| 4 | 015.046.00 | 1 | Trasparente faro |
| 5 | 015.045.00 | 1 | Luce di posizione |
| 6 | 022.050.00 | 1 | Lampada luce di posizione 12 V - 5 W |
| 7 | 019.084.- - | 1 | Gruppo freccia dx * |
| 8 | 019.093.00 | 1 | Coppia vetro indicatore direzione ant. |
| 9 | 022.017.00 | 2 | Lampada 12 V - 10 W posteriore |
| 10 | 019.092.00 | 1 | Coppia indicatore direzione ant. |
| 11 | 016.058.00 | 1 | Fanale posteriore dx completo |
| 12 | 023.014.00 | 2 | Portalampana luce posizione - stop |
| 13 | 017.242.00 | 1 | Cablaggio posteriore |
| 14 | 016.062.00 | 2 | Coppia vetro fanale posteriore |
| 15 | 022.048.00 | 2 | Lampada 12 V - 5/21 W |
| 16 | 016.063.00 | 2 | Coppia calotta indicatori di direz. ant. |
| 17 | 017.344.00 | 1 | Cablaggio principale |
| 18 | 016.050.00 | 1 | Fanale targa |
| 19 | 016.059.00 | 1 | Fanale posteriore sx completo |
| 20 | 017.241.00 | 1 | Cablaggio faro |
| 21 | 019.082.- - | 1 | Gruppo freccia sx * |
| 22 | 017.264.00 | 1 | Coppia cablaggio indicatori direz. ant. |

| Nr. | Code | Q.ty | Description |
|-----|-------------|------|--------------------------------|
| 1 | 015.042.00 | 1 | Headlight assy |
| 2 | 022.100.00 | 2 | HS1 12 V - 35+35 W bulb |
| 3 | 184.205.00 | 1 | Headlight adjusting screw |
| 4 | 015.046.00 | 1 | Headlight glasses |
| 5 | 015.045.00 | 1 | City light |
| 6 | 022.050.00 | 1 | 12 V - 5 W bulb |
| 7 | 019.084.- - | 1 | R/h indicator unit * |
| 8 | 019.093.00 | 1 | Front indicator lens |
| 9 | 022.017.00 | 2 | 12 V - 10 W bulb rear |
| 10 | 019.092.00 | 1 | R/h - l/h indicators |
| 11 | 016.058.00 | 1 | R/h rear light assembly |
| 12 | 023.014.00 | 2 | Rear light bulb socket |
| 13 | 017.242.00 | 1 | Rear light wiring harness |
| 14 | 016.062.00 | 2 | R/h - l/h rear light lens |
| 15 | 022.048.00 | 2 | 12 V - 5/21 W bulb |
| 16 | 016.063.00 | 2 | Indicators cup set |
| 17 | 017.344.00 | 1 | Main wiring harness |
| 18 | 016.050.00 | 1 | Number plate light |
| 19 | 016.059.00 | 1 | L/h rear light assembly |
| 20 | 017.241.00 | 1 | Front light wiring harness |
| 21 | 019.082.- - | 1 | L/h indicator unit * |
| 22 | 017.264.00 | 1 | Front indicator wiring harness |

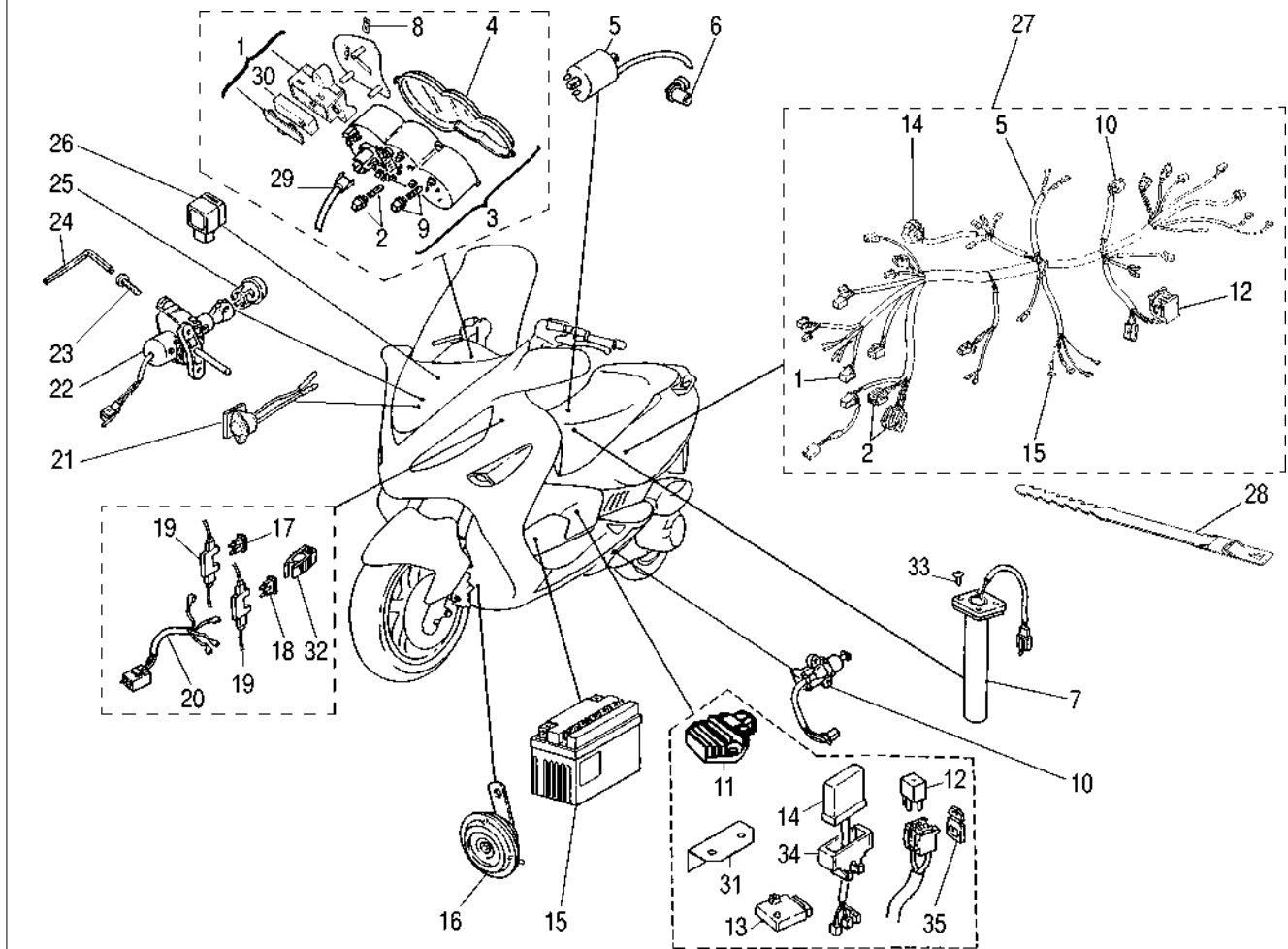
* Vedi tavola N° 00 Colori

* Refer to N° 00 colour table



| Nr. | Codice | Q.tà | Descrizione |
|-----|------------|------|-------------------------------|
| 23 | 023.017.00 | 2 | Portalampada indicatori post. |
| 24 | 071.503.03 | 1 | Coppia cornice specchio |
| 25 | 072.124.00 | 1 | Guarnizione faro anteriore |

| Nr. | Code | Q.ty | Description |
|-----|------------|------|----------------------------|
| 23 | 023.017.00 | 2 | Rear indicator bulb socket |
| 24 | 071.503.03 | 1 | Rear body mirror cover set |
| 25 | 072.124.00 | 1 | Headlight gasket |

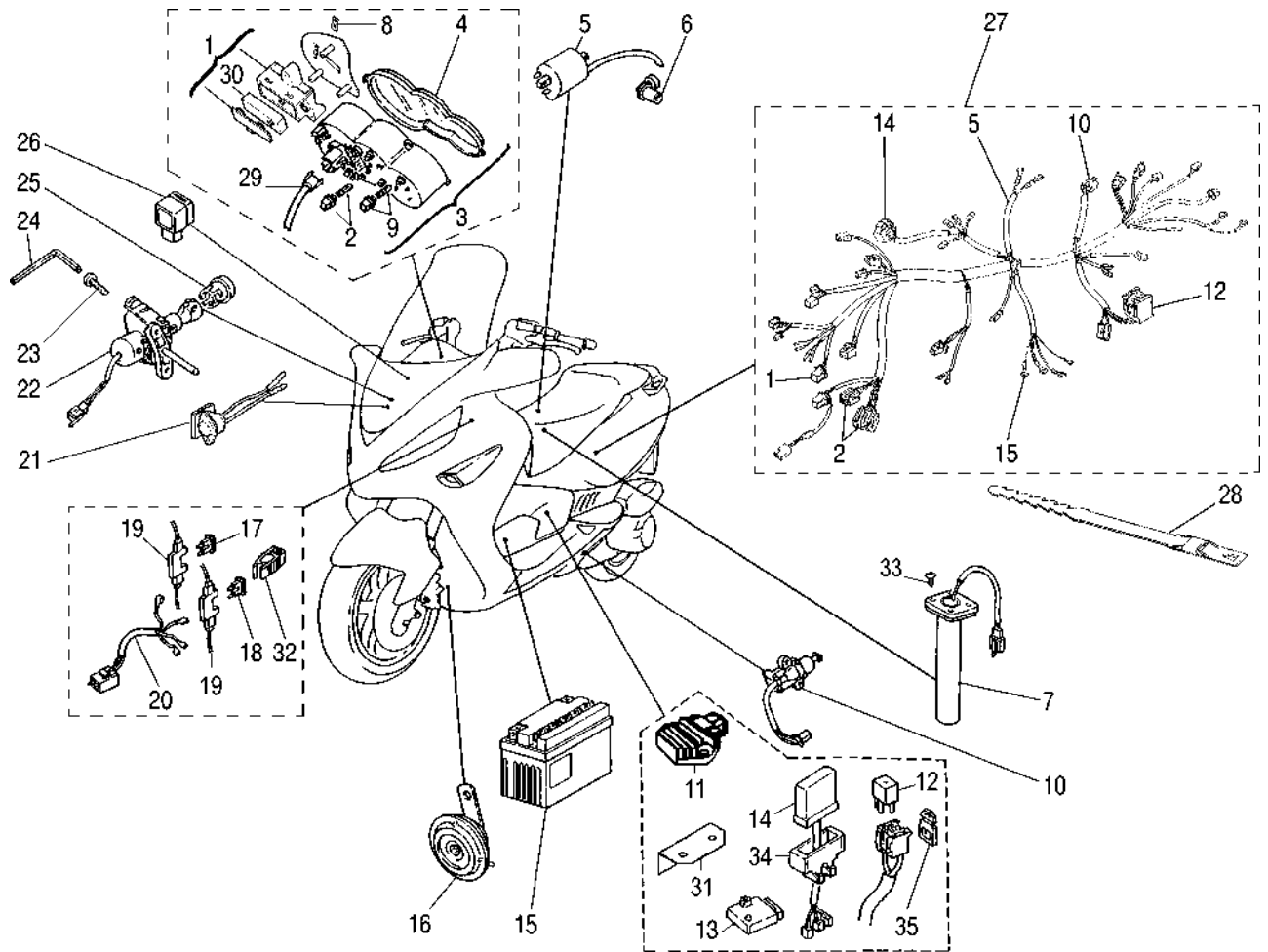
Impianto elettrico - Componenti
Electrical parts


| Nr. | Codice | Q.tà | Descrizione |
|-----|--------|------|-------------|
|-----|--------|------|-------------|

| | | | |
|----|------------|---|----------------------------------|
| 1 | 178.148.00 | 1 | Cruscotto orologio digitale |
| 2 | 023.006.00 | 4 | P/lampada + lampada 12 V - 1,2 W |
| 3 | 178.138.00 | 1 | Cruscotto kmh analogico |
| 4 | 071.381.00 | 1 | Trasparente cruscotto |
| 5 | 024.050.00 | 1 | Bobina |
| 6 | 073.010.00 | 1 | Pipetta candela con cappuccio |
| 7 | 093.060.00 | 1 | Sonda livello benzina |
| 8 | 072.055.00 | 1 | Gommino reset |
| 9 | 023.015.00 | 4 | P/lampada + lampada 12 V - 2 W |
| 10 | 021.016.00 | 1 | Interruttore cavalletto laterale |
| 11 | 026.014.00 | 1 | Regolatore |
| 12 | 025.025.00 | 1 | Relais di avviamento |
| 13 | 025.033.00 | 1 | Intermittenza |
| 14 | 024.051.00 | 1 | Centralina |
| 15 | 074.023.00 | 1 | Batteria 12 V - 9 Ah |
| 16 | 018.054.00 | 1 | Avvisatore acustico |
| 17 | 025.030.00 | 1 | Fusibile 5 Ah |
| 17 | 025.022.00 | 1 | Fusibile 7,5 Ah |
| 18 | 025.010.00 | 1 | Fusibile 10 Ah |
| 18 | 025.031.00 | 1 | Fusibile 15 Ah |
| 19 | 025.032.00 | 4 | Portafusibile |
| 20 | 017.317.00 | 1 | Cablaggio per fusibili |
| 21 | 021.017.00 | 1 | Sensore temperatura |
| 22 | 090.052.00 | 1 | Commutatore di avviamento |
| 23 | 184.218.00 | 2 | Vite antimanomissione |

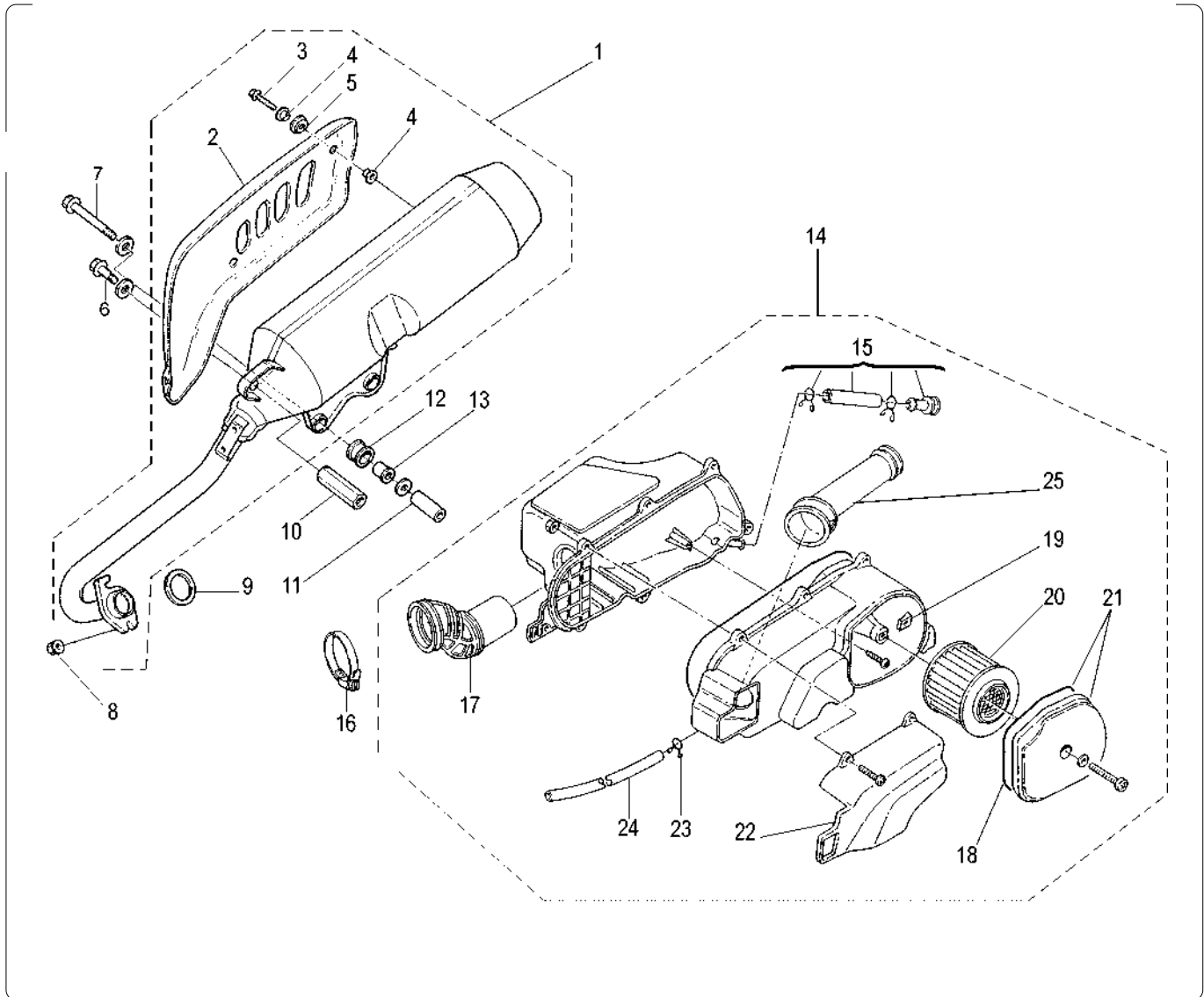
| Nr. | Code | Q.ty | Description |
|-----|------|------|-------------|
|-----|------|------|-------------|

| | | | |
|----|------------|---|---------------------------------|
| 1 | 178.148.00 | 1 | Digital clock |
| 2 | 023.006.00 | 4 | 12 V - 1,2 W bulb holder + bulb |
| 3 | 178.138.00 | 1 | Analog dashboard clocks |
| 4 | 071.381.00 | 1 | Dashboard glass |
| 5 | 024.050.00 | 1 | Coil |
| 6 | 073.010.00 | 1 | Spark plug cap |
| 7 | 093.060.00 | 1 | Fuel level gauge |
| 8 | 072.055.00 | 1 | Gummi plug |
| 9 | 023.015.00 | 4 | 12 V - 2 W bulb holder + bulb |
| 10 | 021.016.00 | 1 | Side stand switch |
| 11 | 026.014.00 | 1 | Regulator |
| 12 | 025.025.00 | 1 | Starter relay |
| 13 | 025.033.00 | 1 | Flasher relay |
| 14 | 024.051.00 | 1 | CDI |
| 15 | 074.023.00 | 1 | 12 V - 9 Ah battery |
| 16 | 018.054.00 | 1 | Horn |
| 17 | 025.030.00 | 1 | 5 Ah fuse |
| 17 | 025.022.00 | 1 | 7,5 Ah fuse |
| 18 | 025.010.00 | 1 | 10 Ah fuse |
| 18 | 025.031.00 | 1 | 15 Ah fuse |
| 19 | 025.032.00 | 4 | Fuse holder |
| 20 | 017.317.00 | 1 | Fuse wire |
| 21 | 021.017.00 | 1 | Temperature gauge |
| 22 | 090.052.00 | 1 | Ignition barrel |
| 23 | 184.218.00 | 2 | Antitampering screw |

Impianto elettrico - Componenti
Electrical parts


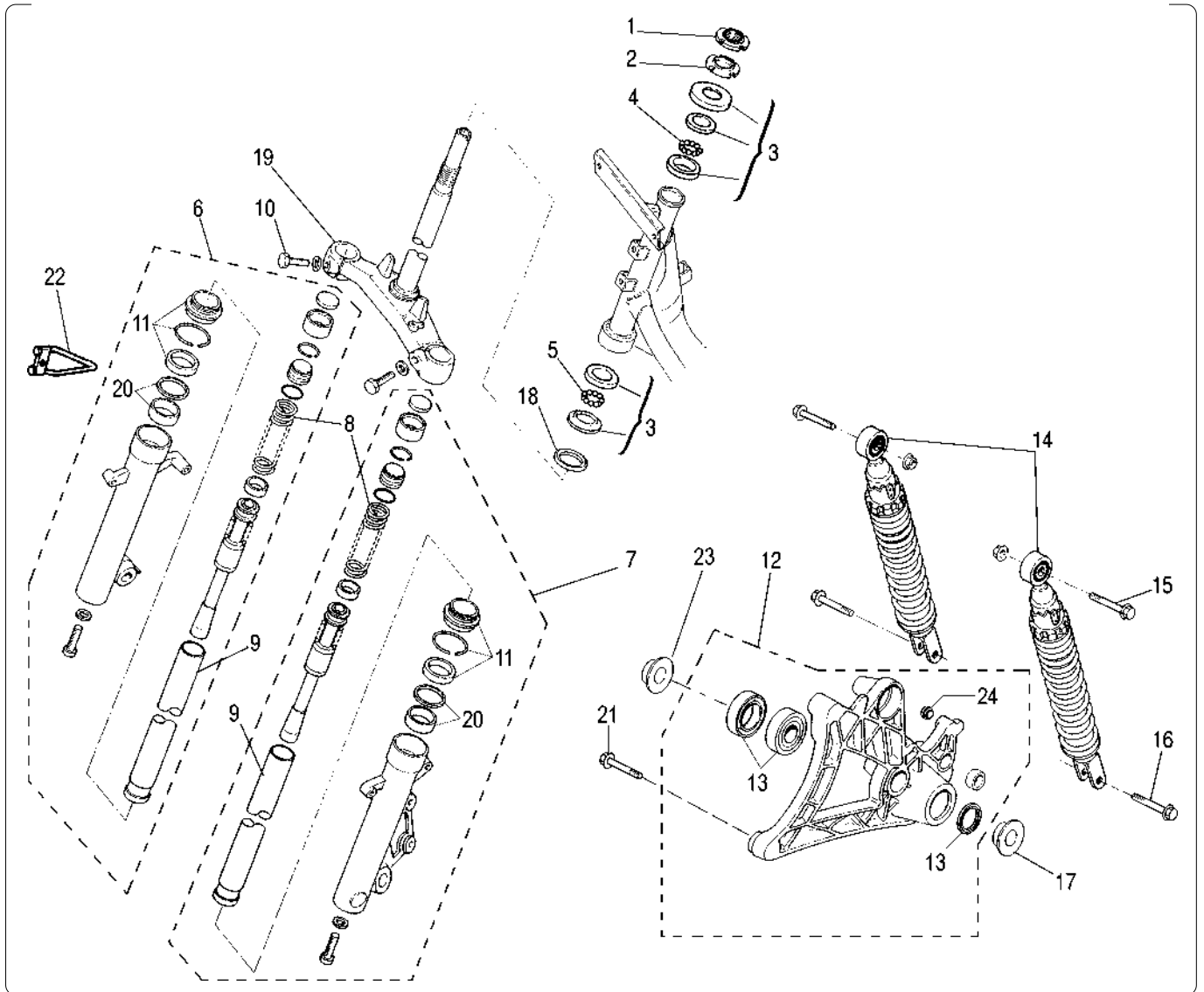
| Nr. | Codice | Q.tà | Descrizione |
|-----|------------|------|----------------------------------|
| 24 | 086.014.00 | 1 | Chiave per vite antimanomissione |
| 25 | 071.388.00 | 1 | Cappuccio commutatore |
| 26 | 025.015.00 | 1 | Relais |
| 27 | 017.344.00 | 1 | Cablaggio principale |
| 28 | 167.054.03 | 1 | Cinturino in plastica |
| 29 | 178.143.00 | 1 | Trasmissione kontakm |
| 30 | 178.083.00 | 1 | Orologio digitale |
| 31 | 191.065.00 | 1 | Piastra dissipatrice |
| 32 | 071.389.00 | 1 | Pinzetta fusibili |
| 33 | 184.009.00 | 4 | Vite sonda benzina |
| 34 | 072.110.00 | 1 | Supporto centralina |
| 35 | 071.382.00 | 1 | Supporto relais |

| Nr. | Code | Q.ty | Description |
|-----|-------------|------|-----------------------------|
| 24 | 086.014.00 | 1 | Antitampering screw spanner |
| 25 | 071.388.00 | 1 | Ignition barrel cap |
| 26 | 025.015.00 | 1 | Relay |
| 27 | 017.344.00 | 1 | Main wiring harness |
| 28 | 167.054.03 | 1 | Tool blocking belt |
| 29 | 178.143.00 | 1 | Speedo-cable |
| 30 | 178.083.00 | 1 | Digital clock |
| 31 | 191.065.00 | 1 | Heat sink |
| 32 | 071.389.00 | 1 | Fuse plier |
| 33 | 184.009.00 | 4 | Fuel level gauge screw |
| 34 | 072.110.00 | 1 | CDI bracket |
| 35 | 0711.382.00 | 1 | Relay bracket |



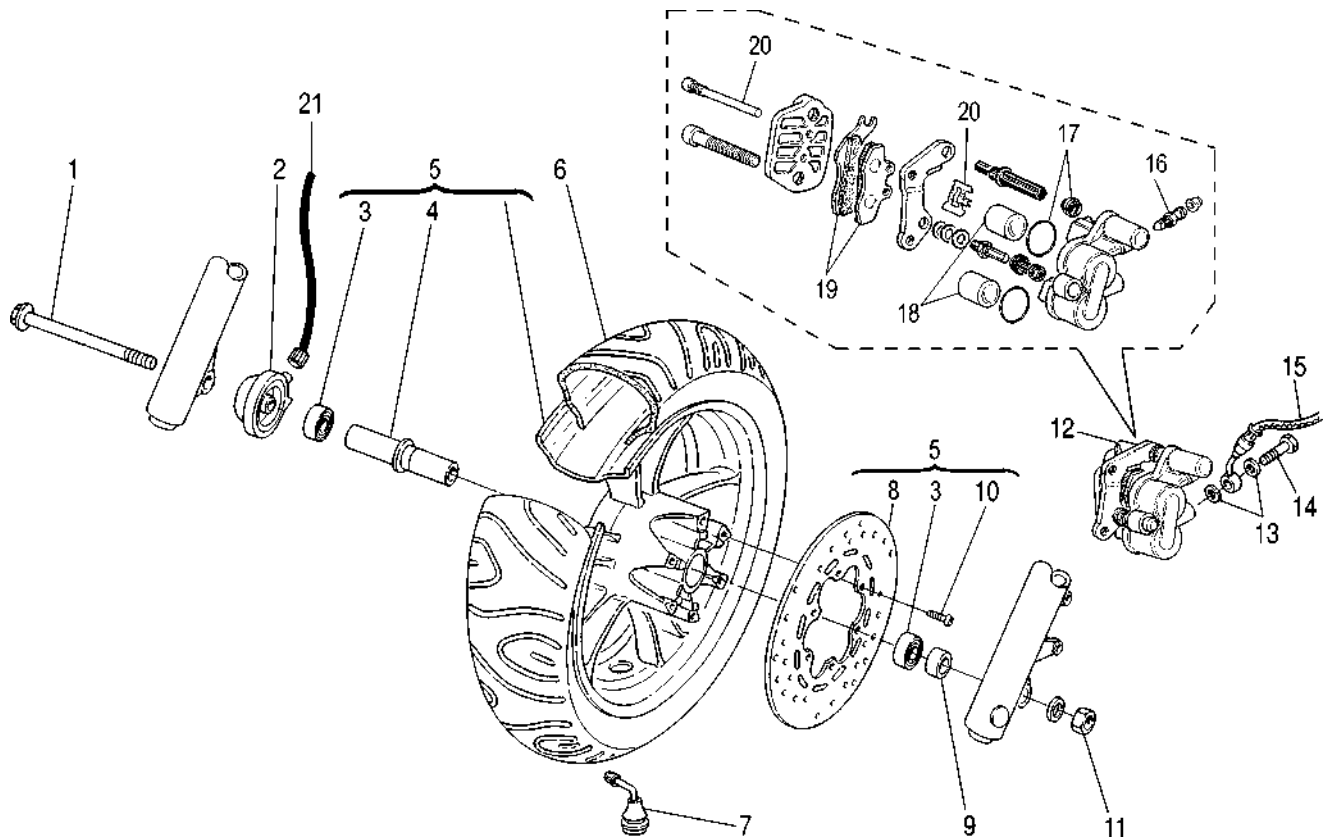
| Nr. | Codice | Q.tà | Descrizione |
|-----|------------|------|----------------------------------|
| 1 | 165.170.00 | 1 | Marmitta completa |
| 2 | 166.040.99 | 1 | Protezione marmitta |
| 3 | 184.104.13 | 2 | Vite fissaggio protezione |
| 4 | 150.148.14 | 6 | Boccola marmitta |
| 5 | 080.013.00 | 3 | Gommino passavite |
| 6 | 184.090.13 | 1 | Vite fissaggio marmitta |
| 7 | 184.222.13 | 2 | Vite fissaggio marmitta |
| 8 | 184.153.14 | 2 | Dado fissaggio marmitta |
| 9 | 072.090.00 | 1 | Guarnizione scarico |
| 10 | 150.242.15 | 1 | Distanziale |
| 11 | 150.241.13 | 2 | Distanziale |
| 12 | 072.113.00 | 2 | Gommino fissaggio marmitta |
| 13 | 150.240.13 | 2 | Distanziale |
| 14 | 066.076.03 | 1 | Cassetta aspirazione completa |
| 15 | 180.033.00 | 1 | Tubo scarico con tappo |
| 16 | 167.047.00 | 1 | Fascetta |
| 17 | 076.023.00 | 1 | Manicotto esterno |
| 18 | 072.125.00 | 1 | Guarnizione coperchio filtro |
| 19 | 184.206.00 | 1 | Clips per vite |
| 20 | 066.124.00 | 1 | Filtro aria |
| 21 | 066.096.00 | 1 | Coperchio filtro con guarnizione |
| 22 | 071.384.03 | 1 | Carter cassetta aspirazione |
| 23 | 167.018.13 | 2 | Molletta tubo |
| 24 | 180.026.07 | 1 | Tubo |
| 25 | 076.024.00 | 1 | Manicotto interno |

| Nr. | Code | Q.ty | Description |
|-----|------------|------|-----------------------|
| 1 | 165.170.00 | 1 | Exhaust complete |
| 2 | 166.040.99 | 1 | Heat shield |
| 3 | 184.104.13 | 2 | Shield fixing screw |
| 4 | 150.148.14 | 6 | Bush |
| 5 | 080.013.00 | 3 | Grommet |
| 6 | 184.090.13 | 1 | Fixing screw |
| 7 | 184.222.13 | 2 | Fixing screw |
| 8 | 184.153.14 | 2 | Fixing nut |
| 9 | 072.090.00 | 1 | Exhaust gasket |
| 10 | 150.242.15 | 1 | Spacer |
| 11 | 150.241.13 | 2 | Spacer |
| 12 | 072.113.00 | 2 | Fixing grommet |
| 13 | 150.240.13 | 2 | Spacer |
| 14 | 066.076.03 | 1 | Air box complete |
| 15 | 180.033.00 | 1 | Hose set |
| 16 | 167.047.00 | 1 | Clamp |
| 17 | 076.023.00 | 1 | Air box/carb. sleeve |
| 18 | 072.125.00 | 1 | Air box gasket |
| 19 | 184.206.00 | 1 | Clips |
| 20 | 066.124.00 | 1 | Air filter |
| 21 | 066.096.00 | 1 | Cover |
| 22 | 071.384.03 | 1 | Air box case |
| 23 | 167.018.13 | 2 | Hose spring |
| 24 | 180.026.07 | 1 | Hose |
| 25 | 076.024.00 | 1 | Air box intake sleeve |



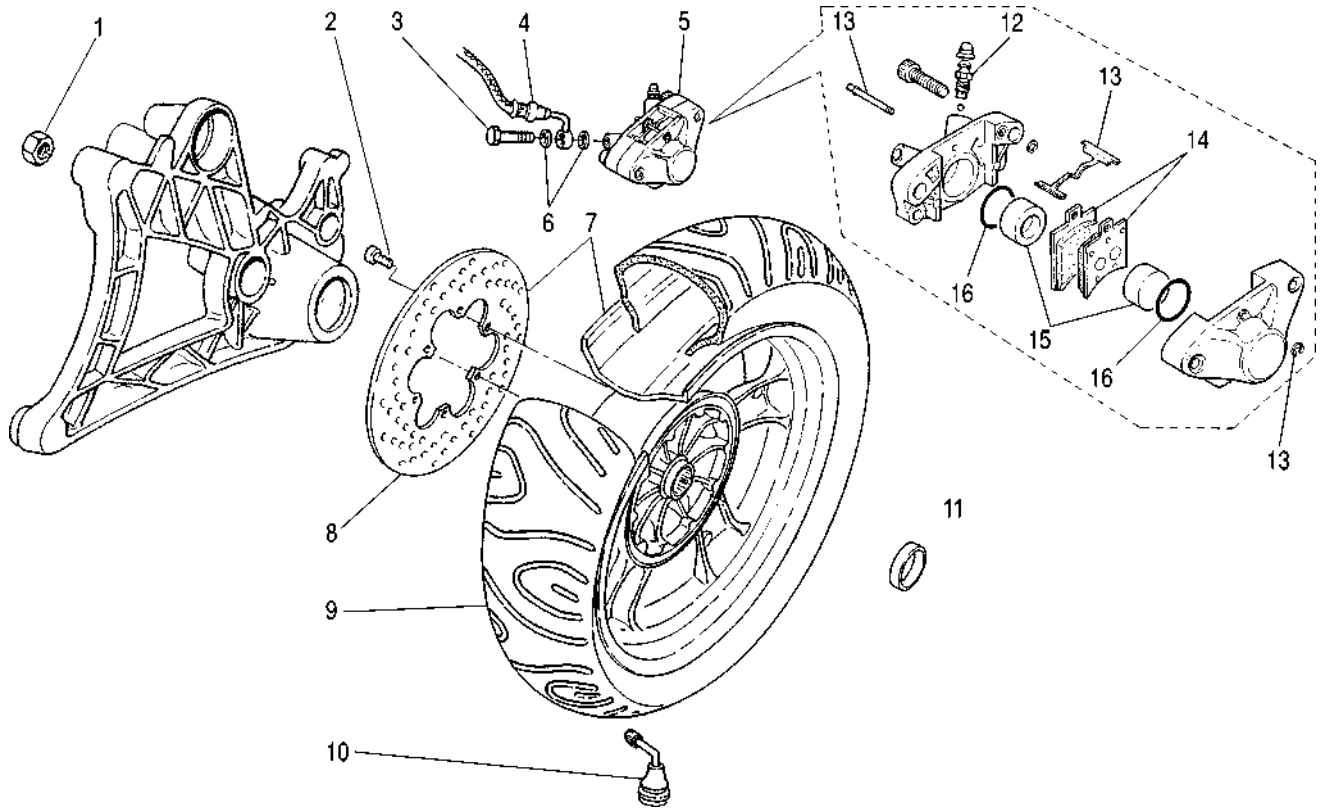
| Nr. | Codice | Q.tà | Descrizione |
|-----|------------|------|-----------------------------------|
| 1 | 185.009.13 | 1 | Ghiera autobloccante di fissaggio |
| 2 | 185.023.13 | 1 | Ghiera di fissaggio |
| 3 | 104.022.00 | 1 | Serie sterzo completa |
| 4 | 120.261.00 | 22 | Sfere 3/16" (superiori) |
| 5 | 120.378.00 | 21 | Sfere 1/4" (inferiori) |
| 6 | 120.375.00 | 1 | Portaruota completo dx |
| 7 | 120.376.00 | 1 | Portaruota completo sx |
| 8 | 120.377.00 | 2 | Molla |
| 9 | 120.374.00 | 2 | Canna completa |
| 10 | 184.126.13 | 2 | Vite fissaggio canna-trapezio |
| 11 | 120.370.00 | 2 | Kit paraolio-parapolvere |
| 12 | 183.011.00 | 1 | Braccio completo |
| 13 | 104.032.00 | 1 | Kit anelli - cuscinetto braccio |
| 14 | 010.048.03 | 2 | Ammortizzatori |
| 15 | 184.215.15 | 2 | Vite ammortizzatore superiore |
| 16 | 184.038.13 | 2 | Vite ammortizzatore inferiore |
| 17 | 150.221.14 | 1 | Distanziale con battuta |
| 18 | 072.098.00 | 1 | Anello parapolvere |
| 19 | 120.369.99 | 1 | Gruppo trapezio |
| 20 | 120.384.00 | 1 | Kit boccole di scorrimento |
| 21 | 184.222.13 | 2 | Vite |
| 22 | 147.129.13 | 1 | Molla trasmissione contakm |
| 23 | 150.222.14 | 1 | Distanziale con battuta |
| 24 | 075.027.00 | 1 | Silentblock braccio |
| -- | 013.044.50 | 1 | Forcella completa |

| Nr. | Code | Q.ty | Description |
|-----|------------|------|-----------------------------------|
| 1 | 185.009.13 | 1 | Steering head nut |
| 2 | 185.023.13 | 1 | Steering nut |
| 3 | 104.022.00 | 1 | Steering head cap set |
| 4 | 120.261.00 | 22 | Steering ball cages 3/16" (upper) |
| 5 | 120.378.00 | 21 | Steering ball cages 1/4" (lower) |
| 6 | 120.375.00 | 1 | R/h fork leg assy |
| 7 | 120.376.00 | 1 | L/h fork leg assy |
| 8 | 120.377.00 | 2 | Spring |
| 9 | 120.374.00 | 2 | Tube complete |
| 10 | 184.126.13 | 2 | Fixing screw |
| 11 | 120.370.00 | 2 | Fork bush/seal kit |
| 12 | 183.011.00 | 1 | Rear swinging arm |
| 13 | 104.032.00 | 1 | Swinging arm bearing |
| 14 | 010.048.03 | 2 | Shock absorbers |
| 15 | 184.215.15 | 2 | Screw |
| 16 | 184.038.13 | 2 | Screw |
| 17 | 150.221.14 | 1 | Spacer |
| 18 | 072.098.00 | 1 | Dust seal |
| 19 | 120.369.99 | 1 | Stem steering |
| 23 | 120.384.00 | 1 | Bush set |
| 21 | 184.222.13 | 2 | Screw |
| 22 | 147.129.13 | 1 | Clip |
| 23 | 150.222.14 | 1 | Spacer |
| 24 | 075.027.00 | 1 | Silentblock |
| -- | 013.044.50 | 1 | Front fork assy |

Ruota anteriore e impianto frenante
Front wheel & brake system


| Nr. | Codice | Q.tà | Descrizione |
|-----|------------|------|---------------------------------|
| 1 | 119.474.00 | 1 | Perno ruota |
| 2 | 178.128.00 | 1 | Rinvio kontakm |
| 3 | 119.478.00 | 2 | Cuscinetto |
| 4 | 119.473.00 | 1 | Distanziale interno |
| 5 | 109.051.08 | 1 | Ruota integrale |
| 6 | 050.041.00 | 1 | Copertura 120/70 - 13" tubeless |
| 7 | 094.008.00 | 1 | Valvola tubeless |
| 8 | 119.498.00 | 1 | Disco freno |
| 9 | 119.477.00 | 1 | Distanziale |
| 10 | 119.476.00 | 6 | Vite disco freno |
| 11 | 184.220.13 | 1 | Dado ruota |
| 12 | 031.025.03 | 1 | Pinza freno completa |
| 13 | 190.006.00 | 2 | Rasamento |
| 14 | 150.024.14 | 1 | Vite trasmissione idraulica |
| 15 | 033.040.00 | 1 | Trasmissione idraulica |
| 16 | 119.436.00 | 1 | Valvola spurgo |
| 17 | 119.492.00 | 1 | Kit anelli di tenuta |
| 18 | 119.495.00 | 1 | Pistoncini pinza |
| 19 | 119.493.00 | 1 | Pastiglie freno |
| 20 | 119.494.00 | 1 | Kit fissaggio pastiglie |
| 21 | 178.143.00 | 1 | Trasmissione kontakm |

| Nr. | Code | Q.ty | Description |
|-----|------------|------|----------------------------|
| 1 | 119.474.00 | 1 | Front wheel spindle |
| 2 | 178.128.00 | 1 | Speedo drive |
| 3 | 119.478.00 | 2 | Bearing |
| 4 | 119.473.00 | 1 | Spacer |
| 5 | 109.051.08 | 1 | Front wheel assy |
| 6 | 050.041.00 | 1 | Tyre tubeless 120/70 - 13" |
| 7 | 094.008.00 | 1 | Wheel valve |
| 8 | 119.498.00 | 1 | Brake disc |
| 9 | 119.477.00 | 1 | Spacer |
| 10 | 119.476.00 | 6 | Front brake disc screw |
| 11 | 184.220.13 | 1 | Nut |
| 12 | 031.025.03 | 1 | Front brake caliper |
| 13 | 190.006.00 | 2 | Copper banjo washer |
| 14 | 150.024.14 | 1 | Hydraulic hose screw |
| 15 | 033.040.00 | 1 | Front brake hose |
| 16 | 119.436.00 | 1 | Screw |
| 17 | 119.492.00 | 1 | Seal ring set |
| 18 | 119.495.00 | 1 | Front brake pistons |
| 19 | 119.493.00 | 1 | Brake pads |
| 20 | 119.494.00 | 1 | Pad fixing set |
| 21 | 178.143.00 | 1 | Speedo cable |

Ruota posteriore e impianto frenante
Rear wheel & brake system


| Nr. | Codice | Q.tà | Descrizione |
|-----|------------|------|---------------------------------|
| 1 | 185.010.00 | 1 | Dado ruota |
| 2 | 119.484.00 | 6 | Vite disco freno |
| 3 | 150.024.14 | 1 | Vite trasmissione idraulica |
| 4 | 033.037.00 | 1 | Trasmissione idraulica |
| 5 | 031.027.03 | 1 | Pinza freno completa |
| 6 | 190.006.00 | 2 | Rasamento |
| 7 | 110.055.08 | 1 | Ruota integrale |
| 8 | 119.483.00 | 1 | Disco freno |
| 9 | 050.042.00 | 1 | Copertura 130/60 - 13" tubeless |
| 10 | 094.021.00 | 1 | Valvola tubeless |
| 11 | 150.223.00 | 1 | Distanziale |
| 12 | 119.279.00 | 1 | Vite spurgo |
| 13 | 119.487.00 | 1 | Kit molle pinza |
| 14 | 119.491.00 | 1 | Pastiglie freno |
| 15 | 119.488.00 | 1 | Pistoncini |
| 16 | 119.440.00 | 1 | Kit gommini |

| Nr. | Code | Q.ty | Description |
|-----|------------|------|----------------------------|
| 1 | 185.010.00 | 1 | Wheel fixing nut |
| 2 | 119.484.00 | 6 | Rear brake disc screw |
| 3 | 150.024.14 | 1 | Hydraulic hose screw |
| 4 | 033.037.00 | 1 | Rear brake hose |
| 5 | 031.027.03 | 1 | Rear brake caliper |
| 6 | 190.006.00 | 2 | Copper banjo washer |
| 7 | 110.055.08 | 1 | Rear wheel assy |
| 8 | 119.483.00 | 1 | Brake disc |
| 9 | 050.042.00 | 1 | Tyre tubeless 130/60 - 13" |
| 10 | 094.021.00 | 1 | Wheel valve |
| 11 | 150.223.00 | 1 | Spacer |
| 12 | 119.279.00 | 1 | Screw |
| 13 | 119.487.00 | 1 | Support pad set |
| 14 | 119.491.00 | 1 | Brake pads |
| 15 | 119.488.00 | 1 | Brake pistons |
| 16 | 119.440.00 | 1 | Seal ring set |

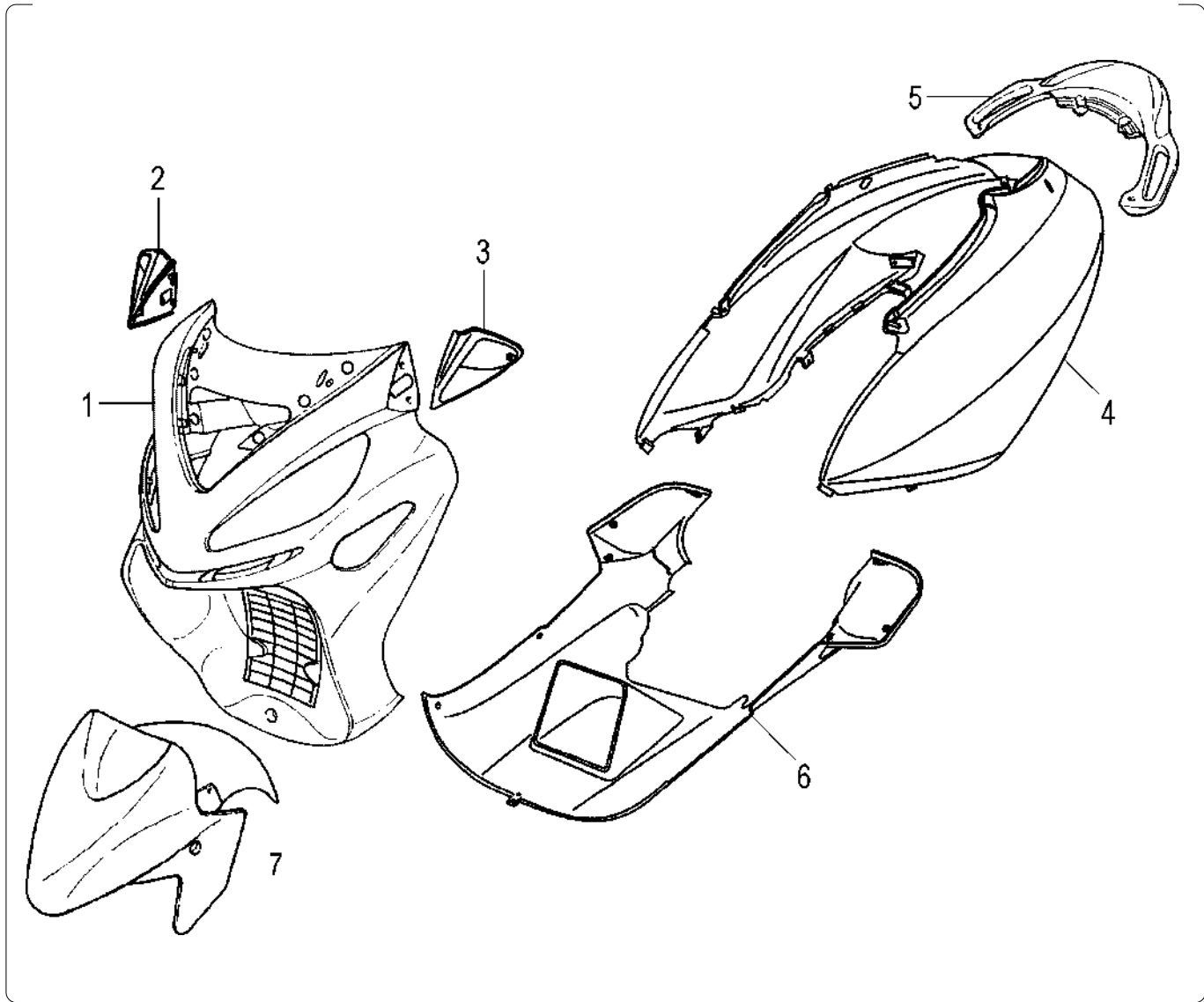
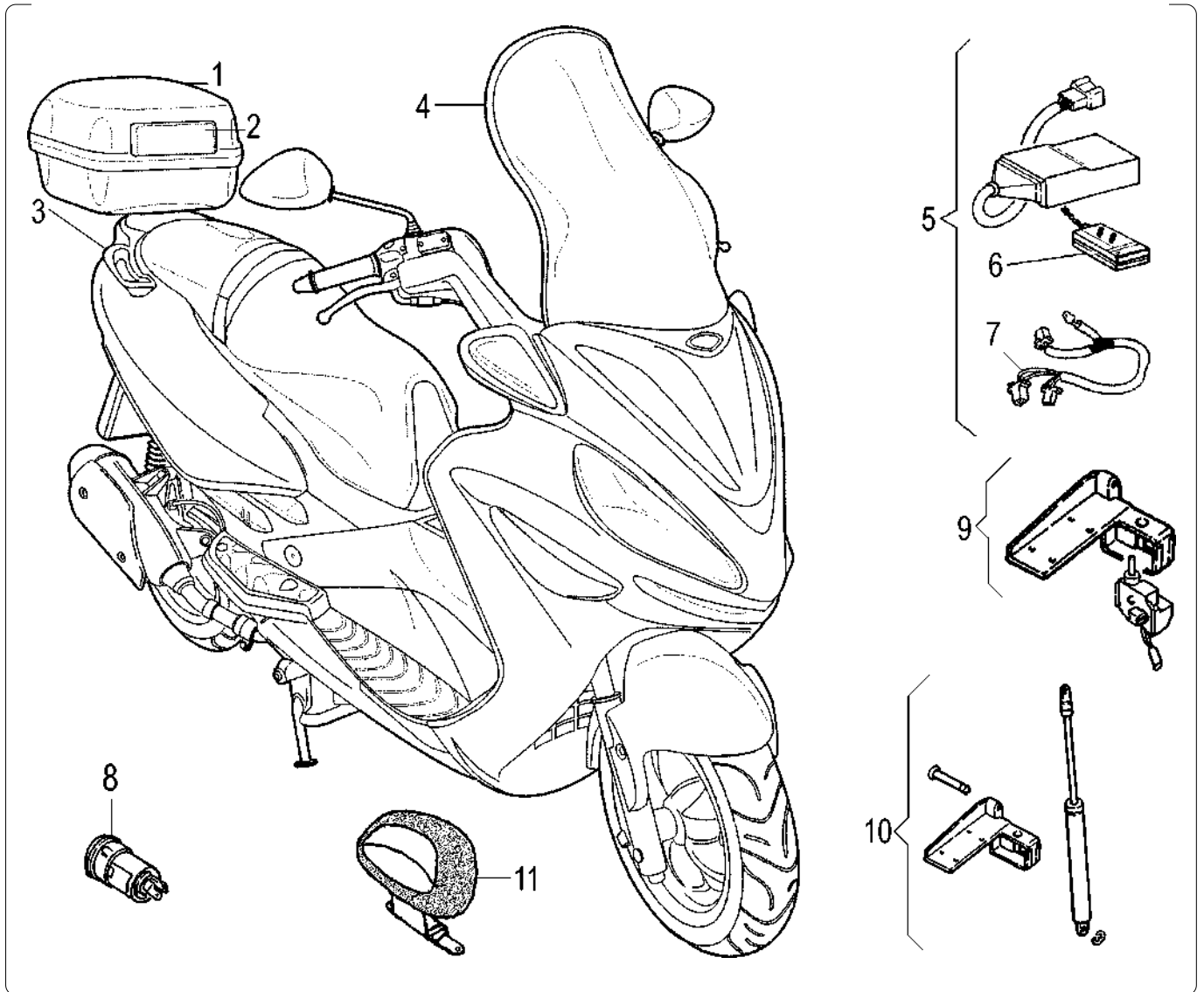


TABELLA COLORI - COLOUR CODES

Colori - Colours

| N° Nr. | Codice Code | 24 Blu Lord Lord Blue | 27 Argento Artic Artic Silver | 93 Black Rider Black Rider | 94 Blu Notte Dark Blue | | | | |
|-----------|----------------|-----------------------------|-------------------------------------|----------------------------------|------------------------------|--|--|--|--|
| 1 | 066.074. | 24 | 27 | 93 | 94 | | | | |
| 2 | 019.084. | 24 | 27 | 93 | 94 | | | | |
| 3 | 019.082. | 24 | 27 | 93 | 94 | | | | |
| 4 | 063.221. | 24 | 27 | 93 | 94 | | | | |
| 5 | 063.161. | 24 | 27 | 93 | 94 | | | | |
| 6 | 063.220. | 24 | 27 | 93 | 94 | | | | |
| 7 | 055.053. | 24 | 27 | 93 | 94 | | | | |
| -- | 181.323. | 00 | 00 | 03 | 00 | | | | |

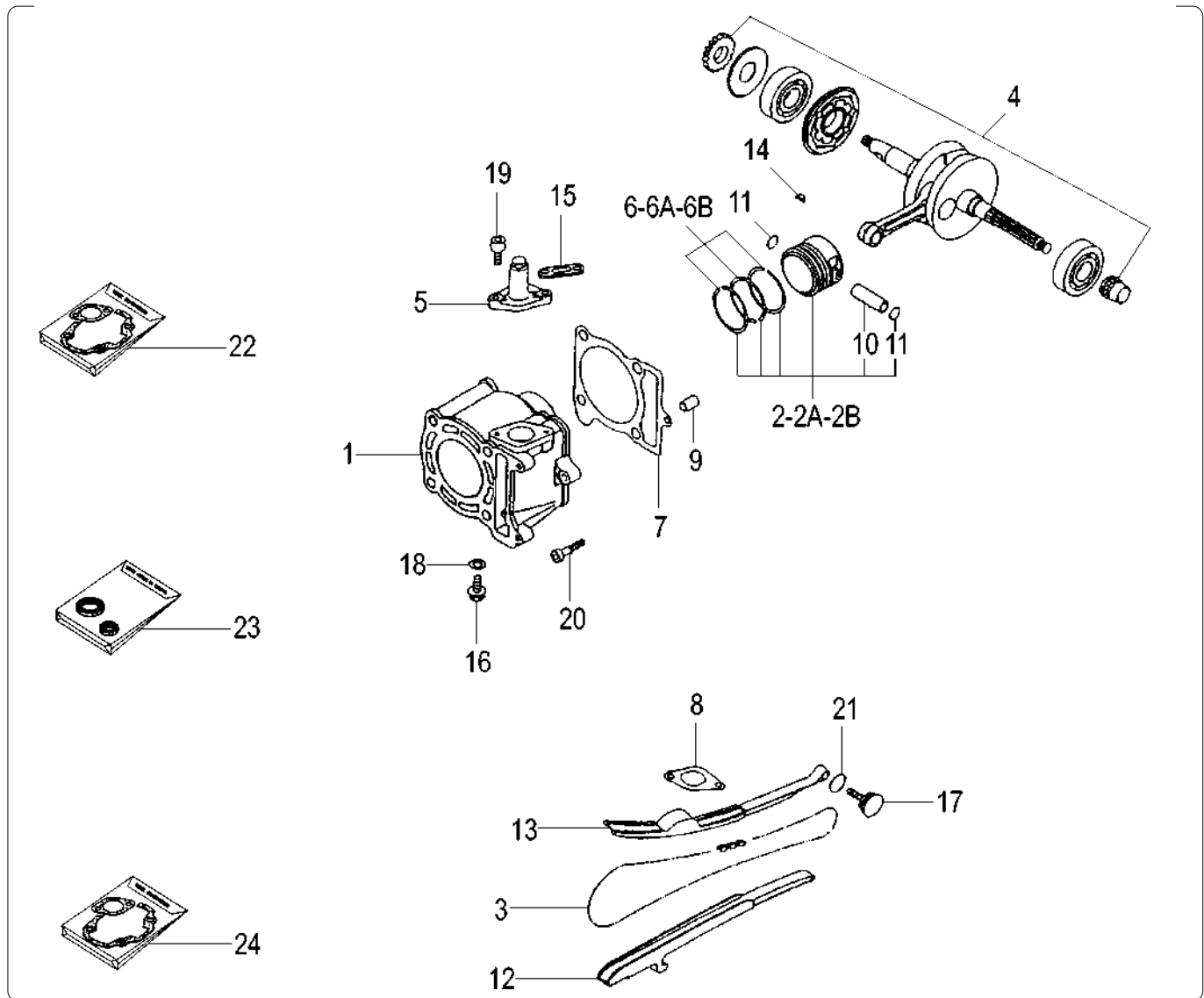


| Nr. | Codice | Q.tà | Descrizione |
|-----|-------------|------|--------------------------------|
| 1 | 065.068. -- | 1 | Baulone porta casco * |
| 2 | 065.069.03 | 1 | Schienale per bauletto |
| 3 | 173.064.00 | 1 | Portapacchi completo |
| 4 | 063.181.00 | 1 | Parabrezza alto |
| 4 | 063.191.00 | 1 | Parabrezza basso |
| 5 | 018.058.00 | 1 | Antifurto elettronico completo |
| 6 | 018.060.00 | 1 | Telecomando |
| 7 | 017.273.00 | 1 | Cablaggio adattatore |
| 8 | 025.028.00 | 1 | Presse di corrente 12 V |
| 9 | 016.064.00 | 1 | Kit luce vano casco |
| 10 | 011.009.00 | 1 | Kit ammortizzatore sella |
| 11 | 065.079.00 | 1 | Schienale per passeggero |
| -- | 065.066.00 | 1 | Coprimoto scooter |

| Nr. | Code | Q.ty | Description |
|-----|-------------|------|--------------------------------|
| 1 | 065.068. -- | 1 | Top case * |
| 2 | 065.069.03 | 1 | 2nd passenger cushion |
| 3 | 173.064.00 | 1 | Rear carrier |
| 4 | 063.181.00 | 1 | High windscreen |
| 4 | 063.191.00 | 1 | Low windscreen |
| 5 | 018.058.00 | 1 | Alarm complete |
| 6 | 018.060.00 | 1 | Remote control |
| 7 | 017.273.00 | 1 | Adapter wiring |
| 8 | 025.028.00 | 1 | 12V socket |
| 9 | 016.064.00 | 1 | Helmet case courtesy light kit |
| 10 | 011.009.00 | 1 | Seat shock absorber kit |
| 11 | 065.079.00 | 1 | 2nd passenger backrest |
| -- | 065.066.00 | 1 | Canvas cover |

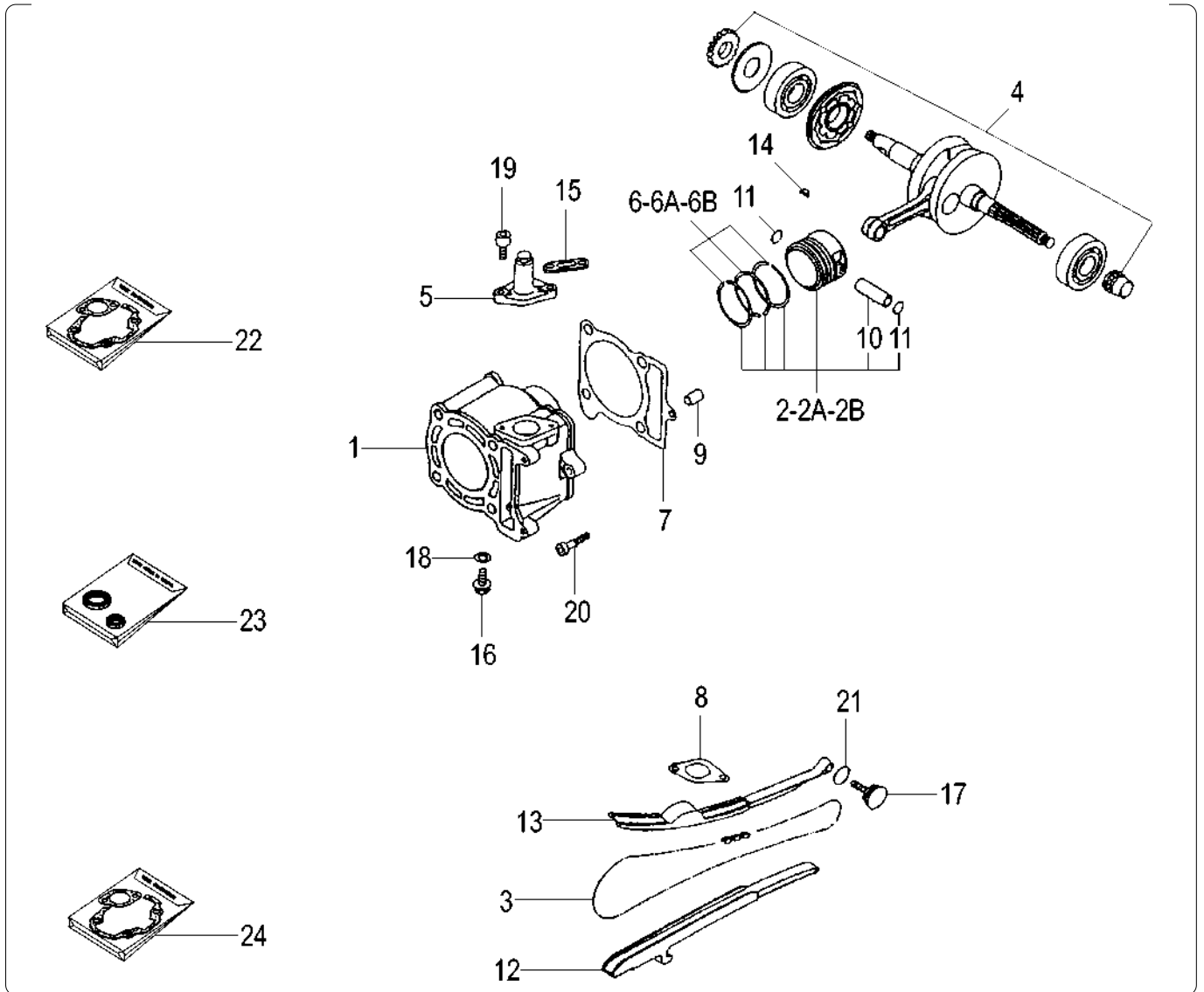
* Vedi tavola N° 00 Colori

* Refer to N° 00 colour table



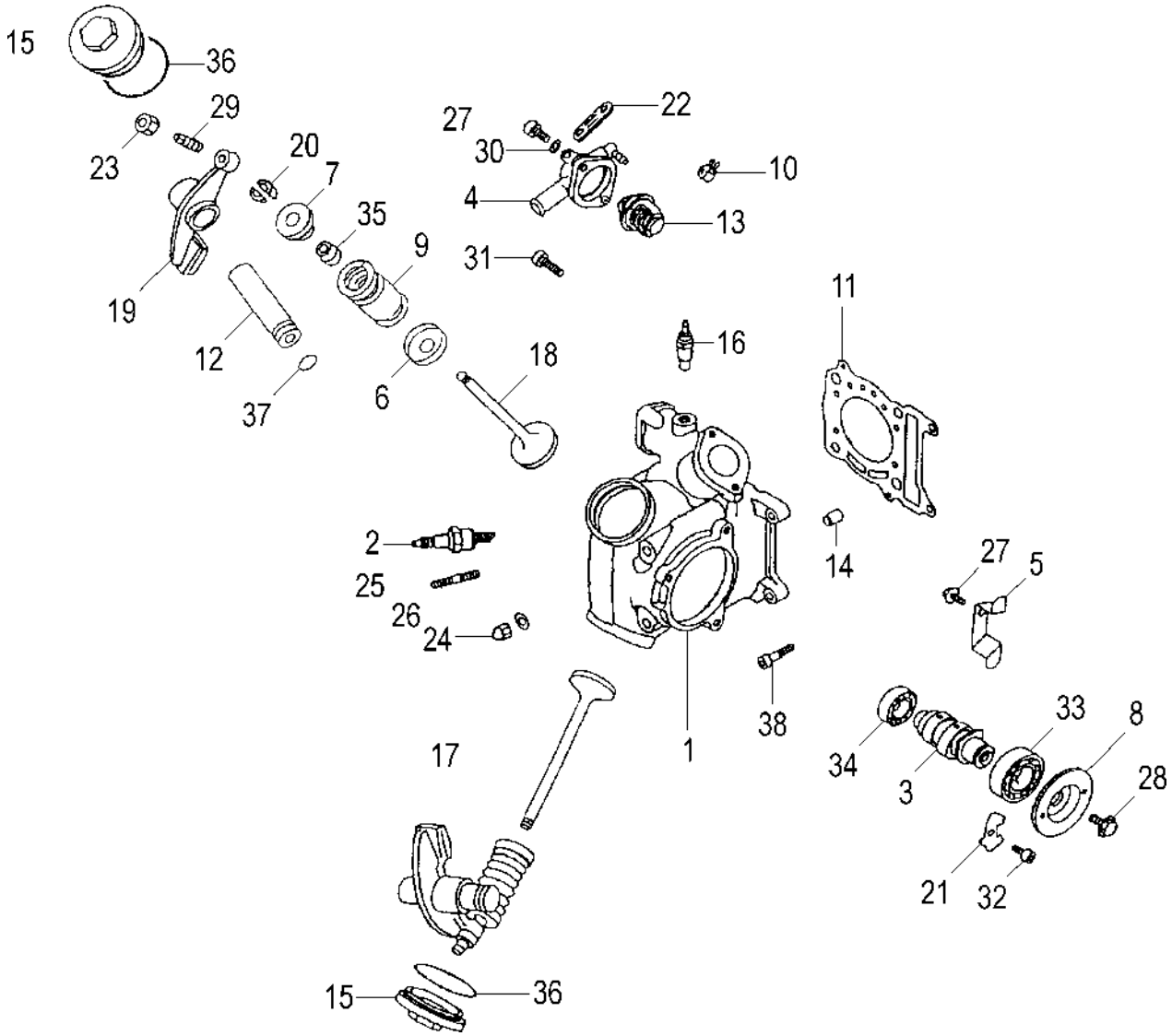
| Nr. | Codice | Q.tà | Descrizione |
|-----|-------------------|------|--|
| 1 | 771.155.00 | 1 | Cilindro completo |
| 2 | 771.150.00 | 1 | Pistone completo |
| 2A | 771.151.00 | 1 | Pistone completo 1° magg. |
| 2B | 771.152.00 | 1 | Pistone completo 2° magg. |
| 3 | 717.008.00 | 1 | Catena di distribuzione |
| 4 | 771.148.00 | 1 | Imbiellaggio completo |
| 5 | 765.009.00 | 1 | Tenditore per catena |
| 6 | 771.149.00 | 1 | Serie segmenti |
| 6A | 771.153.00 | 1 | Serie segmenti 1° magg. |
| 6B | 771.154.00 | 1 | Serie segmenti 2° magg. |
| 7 | NONGESTITO | | Guarnizione base cilindro Vedi articolo 799.114.00 |
| 8 | NONGESTITO | | Guarnizione del tenditore Vedi articolo 799.114.00 |
| 9 | 756.090.00 | 10 | Grano di riferimento |
| 10 | 756.094.00 | 1 | Spinotto pistone |
| 11 | 703.030.00 | 2 | Seeger spinotto |
| 12 | 724.072.00 | 1 | Guida catena 1 |
| 13 | 724.073.00 | 1 | Guida catena 2 |
| 14 | 749.107.00 | 1 | Chiavetta volano magnete |
| 15 | 749.227.00 | 2 | Fascetta passatubo |
| 16 | 749.243.00 | 3 | Vite |
| 17 | 749.246.00 | 1 | Vite |
| 18 | 749.255.00 | 6 | Rondella |
| 19 | 749.257.00 | 2 | Vite |

| Nr. | Code | Q.ty | Description |
|-----|--------------------|------|--|
| 1 | 771.155.00 | 1 | Cylinder assy |
| 2 | 771.150.00 | 1 | Piston (complete) |
| 2A | 771.151.00 | 1 | 1° oversized piston |
| 2B | 771.152.00 | 1 | 2° oversized piston |
| 3 | 717.008.00 | 1 | Timing chain |
| 4 | 771.148.00 | 1 | Crankshaft assy |
| 5 | 765.009.00 | 1 | Chain tensioner |
| 6 | 771.149.00 | 1 | Piston rings set |
| 6A | 771.153.00 | 1 | 1° piston rings set |
| 6B | 771.154.00 | 1 | 2° piston rings set |
| 7 | UNAVAILABLE | | Base cylinder gasket Refer to Nr. 799.114.00 |
| 8 | UNAVAILABLE | | Tensioner gasket Refer to Nr. 799.114.00 |
| 9 | 756.090.00 | 10 | Pin |
| 10 | 756.094.00 | 1 | Piston pin |
| 11 | 703.030.00 | 2 | Piston pin seeger |
| 12 | 724.072.00 | 1 | Timing chain sliding shoe 1 |
| 13 | 724.073.00 | 1 | Timing chain sliding shoe 2 |
| 14 | 749.107.00 | 1 | Woodruff key |
| 15 | 749.227.00 | 2 | Clamp |
| 16 | 749.243.00 | 3 | Screw |
| 17 | 749.246.00 | 1 | Screw |
| 18 | 749.255.00 | 6 | Washer |
| 19 | 749.257.00 | 2 | Screw |

Gruppo termico e distribuzione - Thermic unit


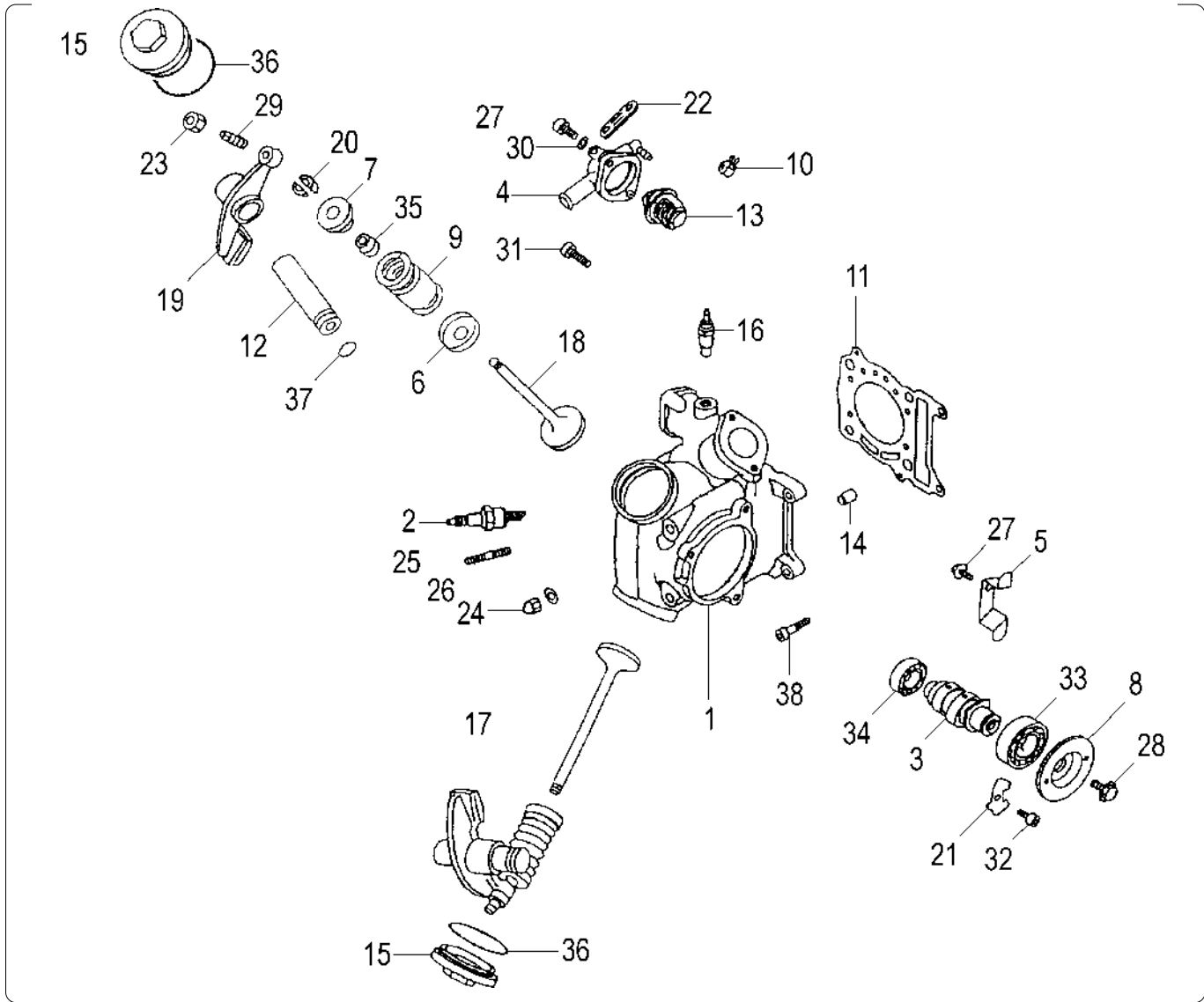
| Nr. | Codice | Q.tà | Descrizione |
|-----|------------|------|--------------------------------|
| 20 | 749.261.00 | 3 | Vite |
| 21 | 753.149.00 | 1 | Anello di tenuta |
| 22 | 799.108.00 | 1 | Serie guarnizioni motore |
| 23 | 799.110.00 | 1 | Serie paraolio motore |
| 24 | 799.114.00 | 1 | Kit guarnizioni gruppo termico |

| Nr. | Code | Q.ty | Description |
|-----|------------|------|-------------------------|
| 20 | 749.261.00 | 3 | Screw |
| 21 | 753.149.00 | 1 | Grommet |
| 22 | 799.108.00 | 1 | Engine gasket set |
| 23 | 799.110.00 | 1 | Engine oil seal set |
| 24 | 799.114.00 | 1 | Thermic unit gasket set |



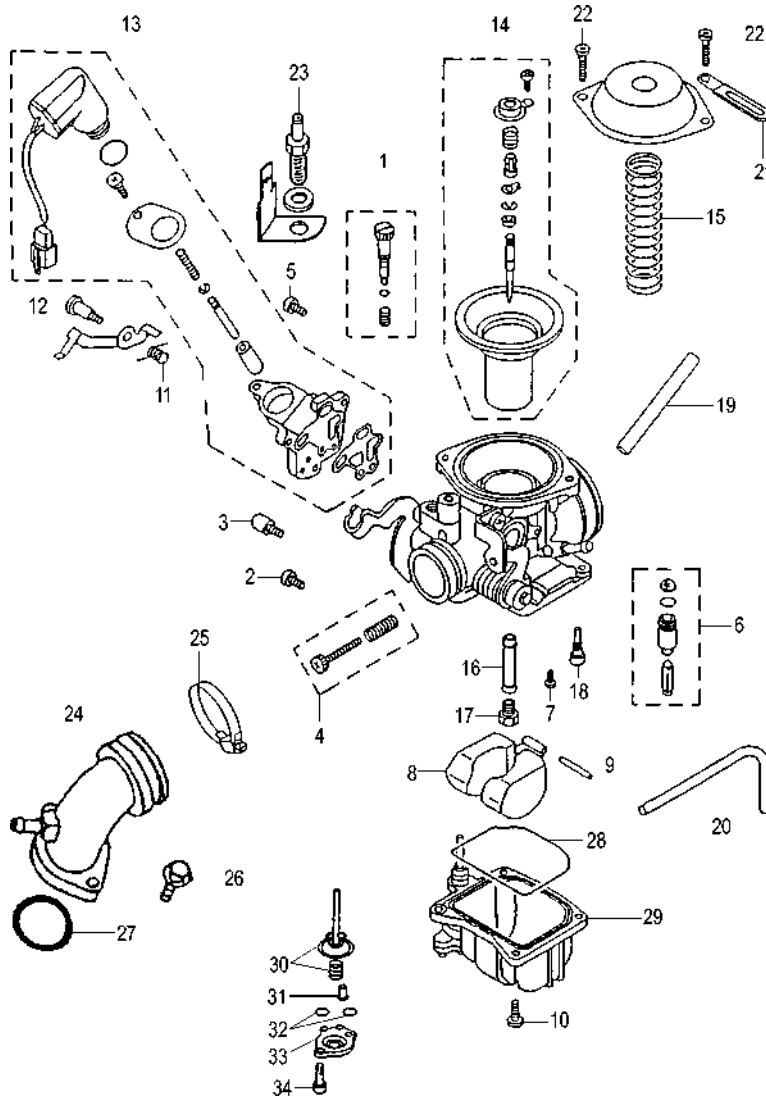
| Nr. | Codice | Q.tà | Descrizione |
|-----|-------------------|------|--|
| 1 | 777.018.00 | 1 | Testa completa |
| 2 | 711.009.00 | 1 | Candela NGK CR8E |
| 3 | 701.054.00 | 1 | Albero a camme |
| 4 | 721.075.00 | 1 | Coperchio termostato |
| 5 | 726.037.00 | 1 | Piastra fissaggio perni bilanciere |
| 6 | 726.039.00 | 2 | Scodellino valvole inferiore |
| 7 | 726.040.00 | 2 | Scodellino valvole superiore |
| 8 | 740.150.00 | 1 | Corona catena distribuzione |
| 9 | 746.053.00 | 2 | Molle valvole |
| 10 | 749.225.00 | 2 | Fascetta elastica |
| 11 | NONGESTITO | | Guarnizione testa Vedi articolo 799.114.00 |
| 12 | 756.088.00 | 2 | Perno bilanciere |
| 13 | 756.089.00 | 1 | Termostato |
| 14 | 756.090.00 | 10 | Grano di riferimento |
| 15 | 756.095.00 | 2 | Tappo chiusura foro testa |
| 16 | 756.097.00 | 1 | Sonda termica |
| 17 | 760.057.00 | 1 | Valvola di scarico |
| 18 | 760.058.00 | 1 | Valvola di aspirazione |
| 19 | 701.055.00 | 2 | Bilanciere per valvole |
| 20 | 703.029.00 | 4 | Anello di tenuta molle valvole |
| 21 | 726.042.00 | 1 | Piastra bloccaggio albero camme |
| 22 | 749.227.00 | 2 | Fascetta passatubo |
| 23 | 749.229.00 | 2 | Dado registro bilanciere |

| Nr. | Code | Q.ty | Description |
|-----|--------------------|------|--|
| 1 | 777.018.00 | 1 | Cylinder head |
| 2 | 711.009.00 | 1 | NGK CR8E spark plug |
| 3 | 701.054.00 | 1 | Cam shaft assy |
| 4 | 721.075.00 | 1 | Thermo-switch case |
| 5 | 726.037.00 | 1 | Fixing plate |
| 6 | 726.039.00 | 2 | Cap |
| 7 | 726.040.00 | 2 | Cap |
| 8 | 740.150.00 | 1 | Timing sprocket |
| 9 | 746.053.00 | 2 | Valve spring |
| 10 | 749.225.00 | 2 | Clamp |
| 11 | UNAVAILABLE | | Head cylinder gasket Refer to Nr. 799.114.00 |
| 12 | 756.088.00 | 2 | Rocker arm pin |
| 13 | 756.089.00 | 1 | Thermo-switch |
| 14 | 756.090.00 | 10 | Pin |
| 15 | 756.095.00 | 2 | Plug |
| 16 | 756.097.00 | 1 | Thermistor |
| 17 | 760.057.00 | 1 | Exhaust valve |
| 18 | 760.058.00 | 1 | Intake valve |
| 19 | 701.055.00 | 2 | Valve rocker arm |
| 20 | 703.029.00 | 4 | Valve spring seal |
| 21 | 726.042.00 | 1 | Camshaft blocking plate |
| 22 | 749.227.00 | 2 | Clamp |
| 23 | 749.229.00 | 2 | Nut |



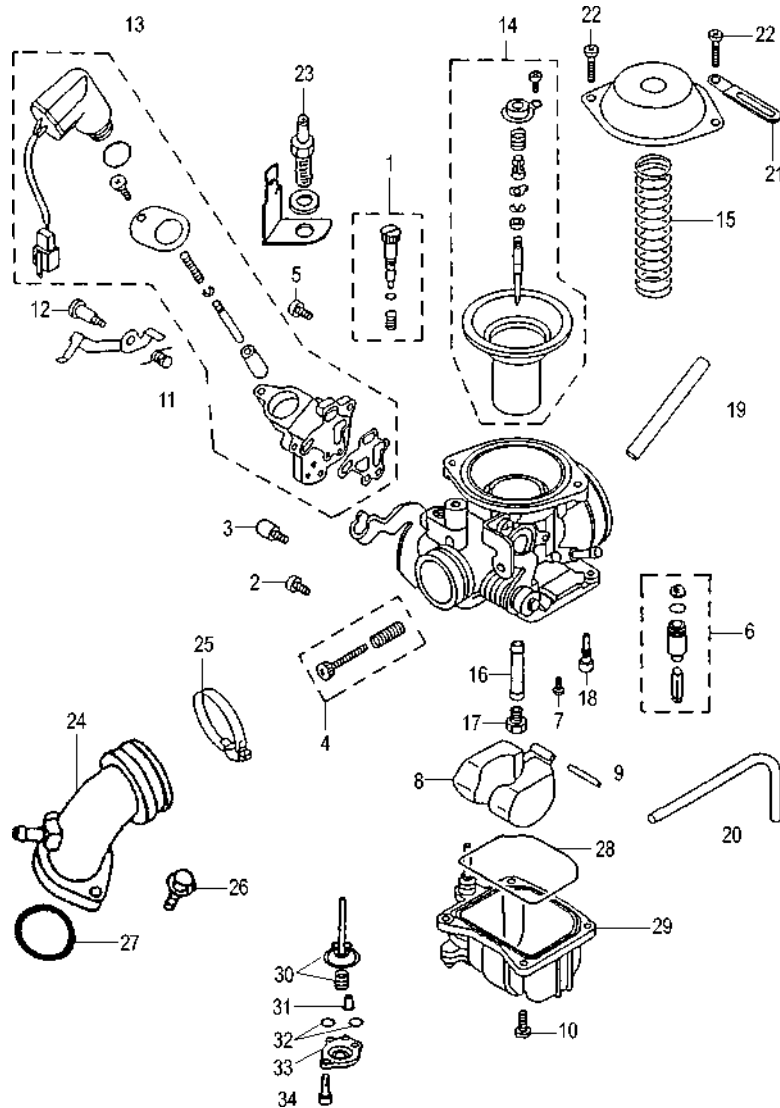
| Nr. | Codice | Q.tà | Descrizione |
|-----|------------|------|-----------------------------------|
| 24 | 749.232.00 | 4 | Dado |
| 25 | 749.234.00 | 2 | Prigioniero testa |
| 26 | 749.239.00 | 4 | Rondella |
| 27 | 749.243.00 | 3 | Vite |
| 28 | 749.244.00 | 1 | Vite |
| 29 | 749.245.00 | 2 | Vite registro valvole |
| 30 | 749.253.00 | 1 | Rondella |
| 31 | 749.266.00 | 4 | Vite |
| 32 | 749.176.00 | 1 | Vite |
| 33 | 751.073.00 | 1 | Cuscinetto |
| 34 | 751.074.00 | 1 | Cuscinetto |
| 35 | 753.163.00 | 2 | Anello di tenuta stelo valvole |
| 36 | 753.145.00 | 2 | Anello di tenuta tappo testa |
| 37 | 753.146.00 | 2 | Anello di tenuta perno bilancieri |
| 38 | 749.261.00 | 3 | Vite |

| Nr. | Code | Q.ty | Description |
|-----|------------|------|-----------------------|
| 24 | 749.232.00 | 4 | Nut |
| 25 | 749.234.00 | 2 | Head stud bolt |
| 26 | 749.239.00 | 4 | Washer |
| 27 | 749.243.00 | 3 | Screw |
| 28 | 749.244.00 | 1 | Screw |
| 29 | 749.245.00 | 2 | Valve adjusting screw |
| 30 | 749.253.00 | 1 | Washer |
| 31 | 749.266.00 | 4 | Screw |
| 32 | 749.176.00 | 1 | Screw |
| 33 | 751.073.00 | 1 | Bearing |
| 34 | 751.074.00 | 1 | Bearing |
| 35 | 753.163.00 | 2 | Valve stem seal |
| 36 | 753.145.00 | 2 | Seal ring |
| 37 | 753.146.00 | 2 | Seal ring |
| 38 | 749.261.00 | 3 | Screw |



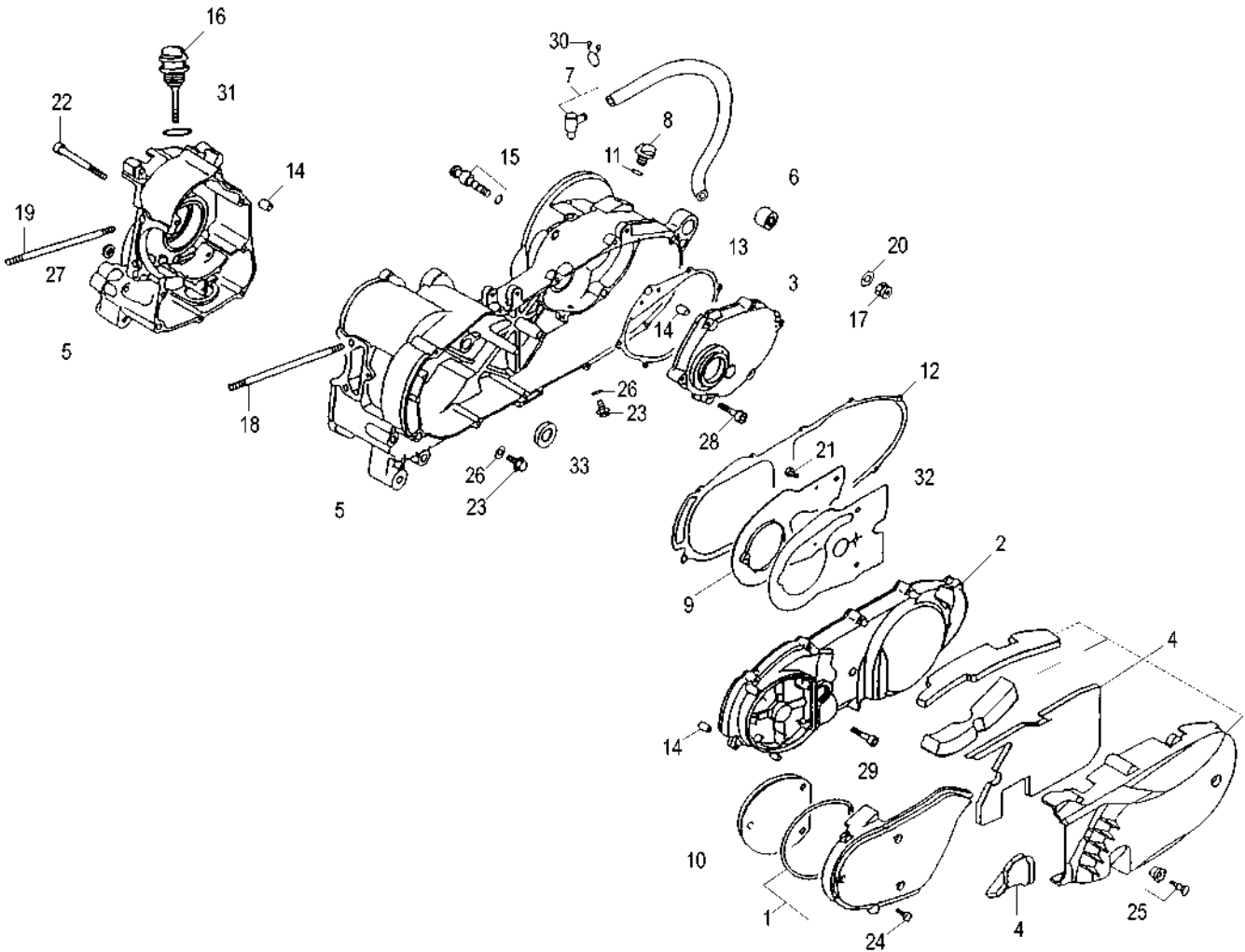
| Nr. | Codice | Q.tà | Descrizione |
|-----|-------------------|------|----------------------------------|
| -- | 715.093.00 | 1 | Carburatore completo T.K. - Ø 26 |
| 1 | 623.163.00 | 1 | Set vite minimo |
| 2 | 923.002.00 | 2 | Vite |
| 3 | 623.164.00 | 1 | Vite |
| 4 | 623.165.00 | 1 | Vite di battuta |
| 5 | 923.005.00 | 1 | Vite |
| 6 | 623.166.00 | 1 | Gruppo valvola entrata benzina |
| 7 | 923.007.00 | 1 | Vite |
| 8 | 923.008.00 | 1 | Galleggiante |
| 9 | 923.009.00 | 1 | Perno galleggiante |
| 10 | 949.041.00 | 1 | Vite |
| 11 | 623.167.00 | 1 | Molla |
| 12 | 623.168.00 | 1 | Vite |
| 13 | 623.169.00 | 1 | Gruppo starter |
| 14 | 623.170.00 | 1 | Gruppo valvola-spillo-membrana |
| 15 | 623.171.00 | 1 | Molla |
| 16 | 623.172.00 | 1 | Polverizzatore principale |
| 17 | 623.173.00 | 1 | Getto massimo Ø 116 |
| 18 | 623.174.00 | 1 | Getto minimo Ø 38 |
| 19 | 623.175.00 | 1 | Tubo |
| 20 | 623.176.00 | 1 | Tubo |
| 21 | 623.177.00 | 1 | Fascetta passatubo |
| 22 | 623.178.00 | 2 | Vite |
| 23 | 623.179.00 | 1 | Gruppo riscaldatore |

| Nr. | Code | Q.ty | Description |
|-----|-------------------|------|------------------------------|
| -- | 715.093.00 | 1 | T.K. - Ø 26 carburettor assy |
| 1 | 623.163.00 | 1 | Idling screw set |
| 2 | 923.002.00 | 2 | Screw |
| 3 | 623.164.00 | 1 | Screw |
| 4 | 623.165.00 | 1 | Accelerator screw |
| 5 | 923.005.00 | 1 | Screw |
| 6 | 623.166.00 | 1 | Fuel inlet valve unit |
| 7 | 923.007.00 | 1 | Screw |
| 8 | 923.008.00 | 1 | Float |
| 9 | 923.009.00 | 1 | Float pin |
| 10 | 949.041.00 | 1 | Screw |
| 11 | 623.167.00 | 1 | Spring |
| 12 | 623.168.00 | 1 | Screw |
| 13 | 623.169.00 | 1 | Starter unit |
| 14 | 623.170.00 | 1 | Needle unit |
| 15 | 623.171.00 | 1 | Spring |
| 16 | 623.172.00 | 1 | Spray nozzle |
| 17 | 623.173.00 | 1 | Max jet Ø 116 |
| 18 | 623.174.00 | 1 | Idle jet Ø 38 |
| 19 | 623.175.00 | 1 | Hose |
| 20 | 623.176.00 | 1 | Hose |
| 21 | 623.177.00 | 1 | Clamp |
| 22 | 623.178.00 | 2 | Screw |
| 23 | 623.179.00 | 1 | Heater unit |



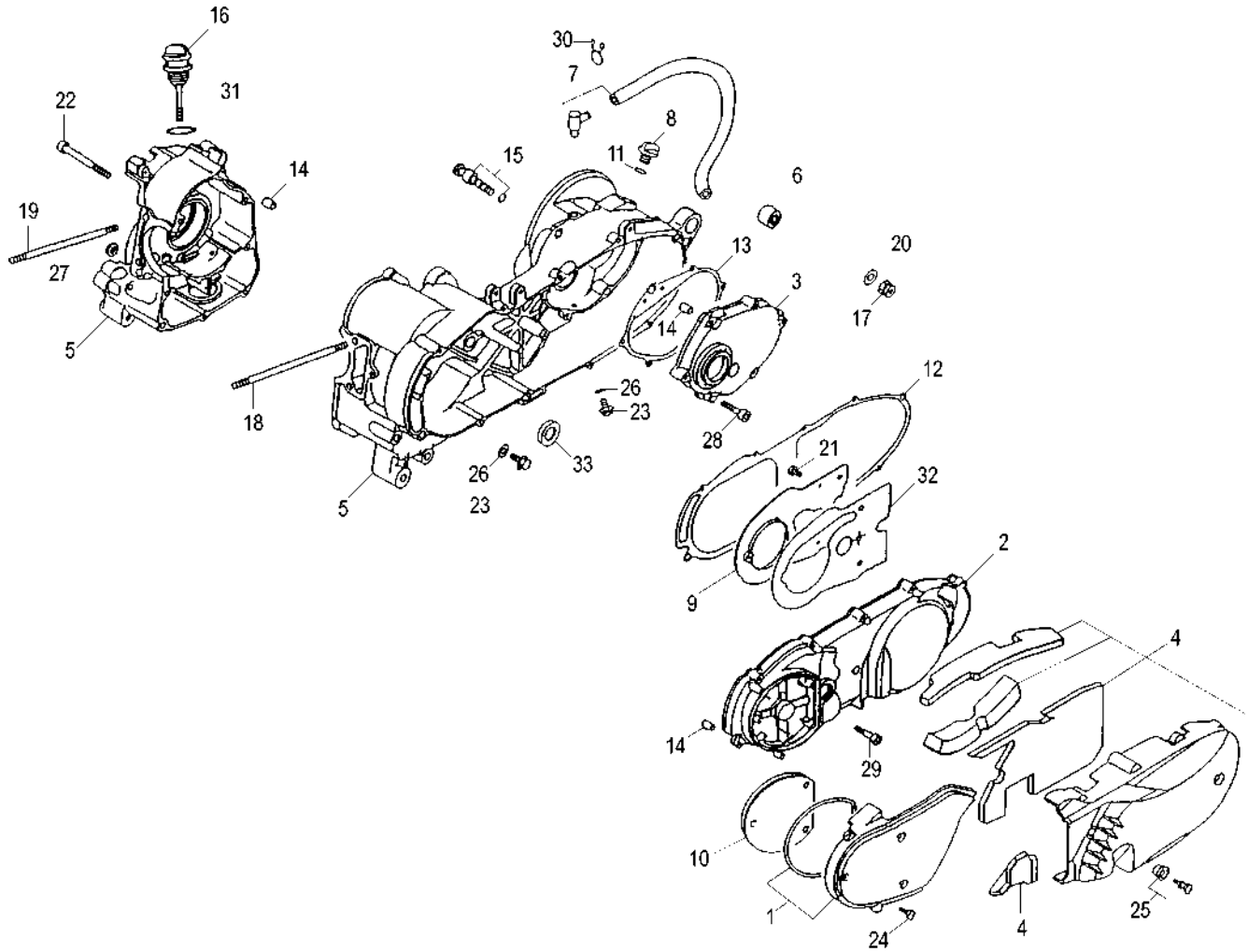
| Nr. | Codice | Q.tà | Descrizione |
|-----|------------|------|------------------------------|
| 24 | 760.055.00 | 1 | Collettore aspirazione Ø 24 |
| 25 | 749.226.00 | 1 | Fascetta flangia aspirazione |
| 26 | 749.266.00 | 4 | Vite |
| 27 | 753.148.00 | 1 | Anello di tenuta |
| 28 | 623.311.00 | 1 | Guarnizione vaschetta |
| 29 | 623.333.00 | 1 | Vaschetta |
| 30 | 623.308.00 | 1 | Membrana pompa ripresa |
| 31 | 623.310.00 | 1 | Valvola membrana |
| 32 | 623.307.00 | 2 | Anello O-Ring |
| 33 | 623.312.00 | 1 | Coperchio membrana |
| 34 | 623.313.00 | 3 | Vite coperchio |

| Nr. | Code | Q.ty | Description |
|-----|------------|------|---------------------|
| 24 | 760.055.00 | 1 | Inlet manifold Ø 24 |
| 25 | 749.226.00 | 1 | Clamp |
| 26 | 749.266.00 | 4 | Screw |
| 27 | 753.148.00 | 1 | Grommet |
| 28 | 623.311.00 | 1 | Gasket |
| 29 | 623.333.00 | 1 | Float chamber |
| 30 | 623.308.00 | 1 | Diaphragm |
| 31 | 623.310.00 | 1 | Valve |
| 32 | 623.307.00 | 2 | O-Ring |
| 33 | 623.312.00 | 1 | Cover |
| 34 | 623.313.00 | 3 | Screw |



| Nr. | Codice | Q.tà | Descrizione |
|-----|------------|------|--------------------------------------|
| 1 | 721.068.00 | 1 | Convogliatore ventola |
| 2 | 721.069.00 | 1 | Coperchio semicarter frizione |
| 3 | 721.070.00 | 1 | Coperchio trasmissione |
| 4 | 721.073.00 | 1 | Coperchio frizione |
| 5 | 799.112.00 | 1 | Coppia carter frizione - volano |
| 6 | 724.045.00 | 1 | Gommino silentblock carter |
| 7 | 724.067.00 | 1 | Raccordo tubo sfiato olio |
| 8 | 724.048.00 | 1 | Tappo alimentazione olio |
| 9 | 726.047.00 | 1 | Piastra coperchio frizione |
| 10 | 731.008.00 | 2 | Elemento filtrante |
| 11 | 753.105.00 | 1 | Anello di tenuta |
| 12 | 753.140.00 | 1 | Guarnizione coperchio frizione |
| 13 | 753.141.00 | 1 | Guarnizione coperchio trasmissione |
| 14 | 756.090.00 | 10 | Grano di riferimento |
| 15 | 756.102.00 | 1 | Tappo foro perno ceppi freno |
| 16 | 724.071.00 | 1 | Tappo asta livello olio |
| 17 | 749.203.00 | 1 | Dado |
| 18 | 749.235.00 | 2 | Prigioniero cilindro - testa L = 214 |
| 19 | 749.236.00 | 2 | Prigioniero cilindro - testa L = 190 |
| 20 | 749.205.00 | 1 | Rondella piana |
| 21 | 749.140.00 | 4 | Vite |
| 22 | 749.241.00 | 8 | Vite |
| 23 | 749.242.00 | 2 | Vite |
| 24 | 749.248.00 | 6 | Vite |

| Nr. | Code | Q.ty | Description |
|-----|------------|------|-------------------------------|
| 1 | 721.068.00 | 1 | Fan cover |
| 2 | 721.069.00 | 1 | Clutch case cover |
| 3 | 721.070.00 | 1 | Gear cover |
| 4 | 721.073.00 | 1 | Clutch cover |
| 5 | 799.112.00 | 1 | Case set |
| 6 | 724.045.00 | 1 | Silentblock |
| 7 | 724.067.00 | 1 | Breather hose union |
| 8 | 724.048.00 | 1 | Plug |
| 9 | 726.047.00 | 1 | Clutch cover plate |
| 10 | 731.008.00 | 2 | Filter element |
| 11 | 753.105.00 | 1 | Grommet |
| 12 | 753.140.00 | 1 | Clutch cover gasket |
| 13 | 753.141.00 | 1 | Gear cover gasket |
| 14 | 756.090.00 | 10 | Pin |
| 15 | 756.102.00 | 1 | Plug |
| 16 | 724.071.00 | 1 | Plug |
| 17 | 749.203.00 | 1 | Nut |
| 18 | 749.235.00 | 2 | Cylinder/head stud bolt l=214 |
| 19 | 749.236.00 | 2 | Cylinder/head stud bolt l=190 |
| 20 | 749.205.00 | 1 | Washer |
| 21 | 749.140.00 | 4 | Screw |
| 22 | 749.241.00 | 8 | Screw |
| 23 | 749.242.00 | 2 | Screw |
| 24 | 749.248.00 | 6 | Screw |

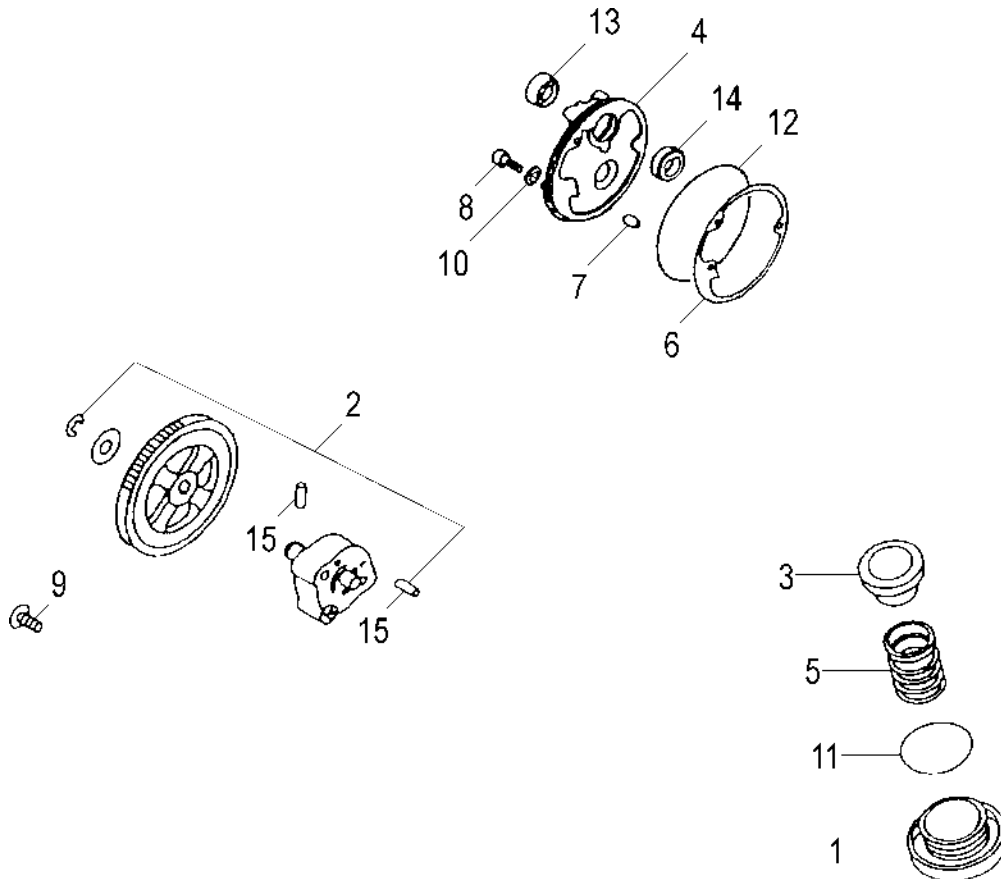


| Nr. | Codice | Q.tà | Descrizione |
|-----|--------|------|-------------|
|-----|--------|------|-------------|

| | | | |
|----|------------|----|---------------------|
| 25 | 749.249.00 | 2 | Vite |
| 26 | 749.254.00 | 2 | Rondella in acciaio |
| 27 | 749.255.00 | 6 | Rondella in rame |
| 28 | 749.259.00 | 6 | Vite |
| 29 | 749.260.00 | 11 | Vite |
| 30 | 749.262.00 | 1 | Fascetta elastica |
| 31 | 753.151.00 | 1 | Anello O.R. |
| 32 | 753.164.00 | 1 | Guarnizione piastra |
| 33 | 753.153.00 | 1 | Paraolio |

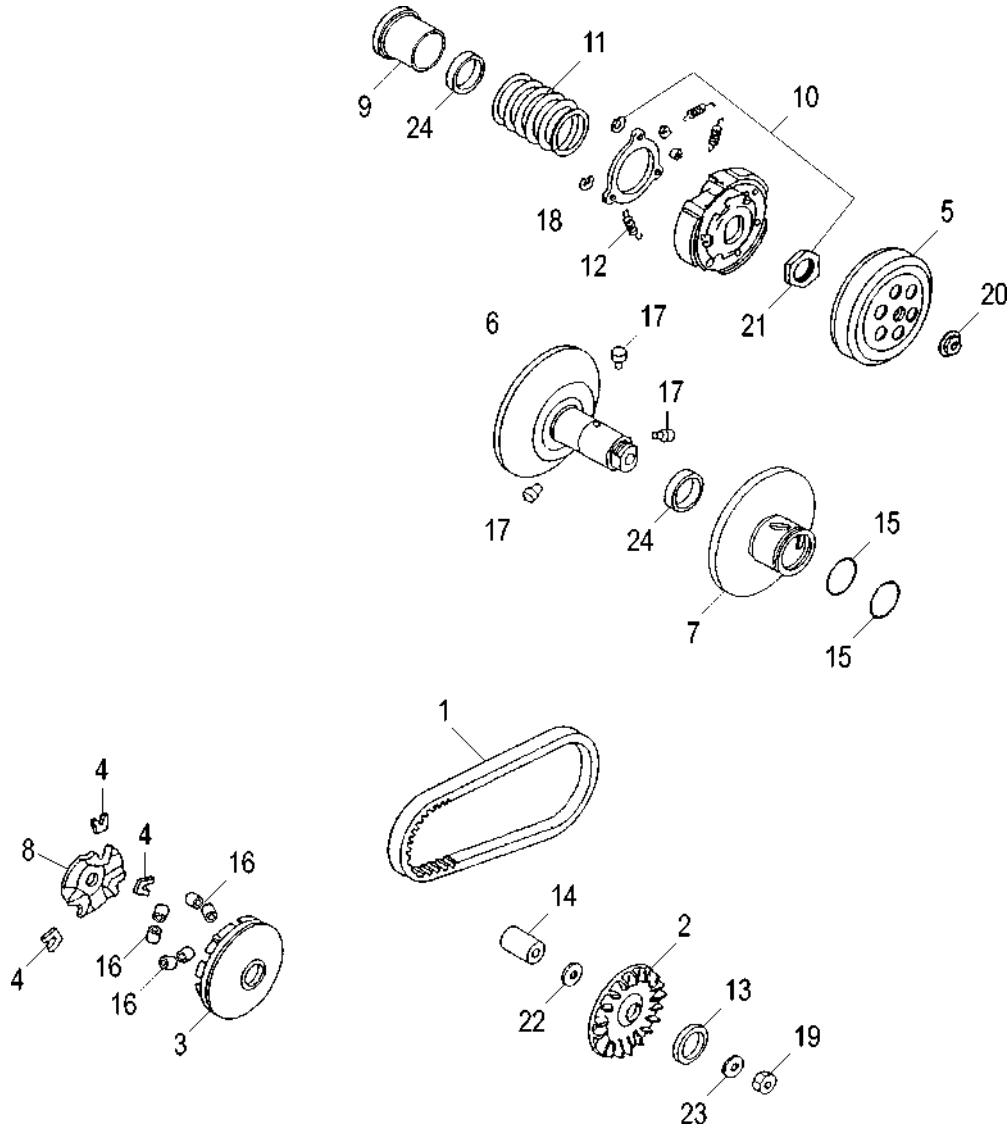
| Nr. | Code | Q.ty | Description |
|-----|------|------|-------------|
|-----|------|------|-------------|

| | | | |
|----|------------|----|-----------|
| 25 | 749.249.00 | 2 | Screw |
| 26 | 749.254.00 | 2 | Washer |
| 27 | 749.255.00 | 6 | Washer |
| 28 | 749.259.00 | 6 | Screw |
| 29 | 749.260.00 | 11 | Screw |
| 30 | 749.262.00 | 1 | Clamp |
| 31 | 753.151.00 | 1 | O Ring |
| 32 | 753.164.00 | 1 | Gasket |
| 33 | 753.153.00 | 1 | Seal ring |

Pompa olio - Filtro olio - Oil pump & filter


| Nr. | Codice | Q.tà | Descrizione |
|-----|------------|------|------------------------------|
| 1 | 721.072.00 | 1 | Coperchietto filtro olio |
| 2 | 764.010.00 | 1 | Pompa olio completa |
| 3 | 764.009.00 | 1 | Filtro olio |
| 4 | 721.081.00 | 1 | Coperchio pompa olio e tappo |
| 5 | 746.052.00 | 1 | Molla filtro olio |
| 6 | 753.142.00 | 1 | Guarnizione coperchio pompa |
| 7 | 756.091.00 | 1 | Grano riferimento |
| 8 | 749.037.00 | 3 | Vite |
| 9 | 749.048.00 | 2 | Vite |
| 10 | 749.255.00 | 6 | Rondella in rame |
| 11 | 753.147.00 | 1 | Anello di tenuta |
| 12 | 753.150.00 | 1 | Anello di tenuta |
| 13 | 753.155.00 | 1 | Paraolio |
| 14 | 753.156.00 | 1 | Paraolio |
| 15 | 756.090.00 | 2 | Grano riferimento |

| Nr. | Code | Q.ty | Description |
|-----|------------|------|-----------------------|
| 1 | 721.072.00 | 1 | Oil filter cover |
| 2 | 764.010.00 | 1 | Oil pump assy |
| 3 | 764.009.00 | 1 | Oil filter |
| 4 | 721.081.00 | 1 | Oil pump cover & plug |
| 5 | 746.052.00 | 1 | Spring |
| 6 | 753.142.00 | 1 | Pump case gasket |
| 7 | 756.091.00 | 1 | Pin |
| 8 | 749.037.00 | 3 | Screw |
| 9 | 749.048.00 | 2 | Screw |
| 10 | 749.255.00 | 6 | Washer |
| 11 | 753.147.00 | 1 | Grommet |
| 12 | 753.150.00 | 1 | Grommet |
| 13 | 753.155.00 | 1 | Seal ring |
| 14 | 753.156.00 | 1 | Seal ring |
| 15 | 756.090.00 | 2 | Grano riferimento |

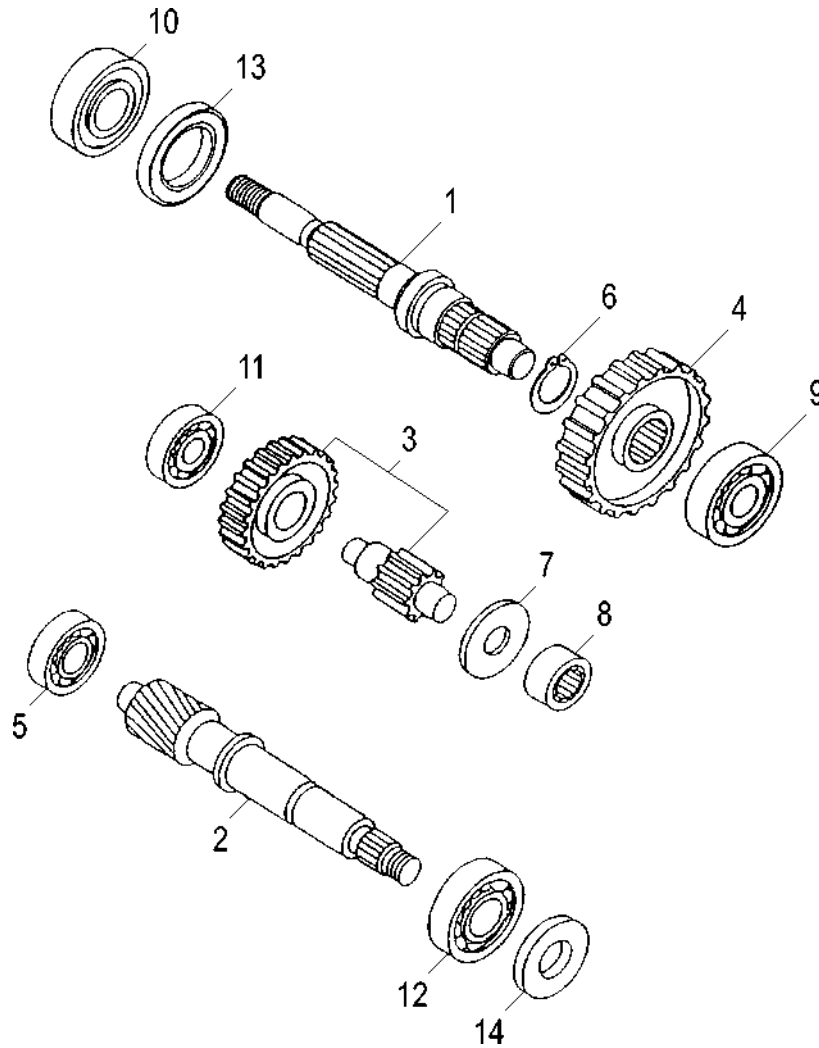
Pulegge - Trasmissione - Pulley - Transmission


| Nr. | Codice | Q.tà | Descrizione |
|-----|--------|------|-------------|
|-----|--------|------|-------------|

| | | | |
|----|------------|---|--|
| 1 | 717.007.00 | 1 | Cinghia di trasmissione |
| 2 | 760.053.00 | 1 | Puleggia anteriore fissa |
| 3 | 760.054.00 | 2 | Puleggia anteriore mobile |
| 4 | 724.068.00 | 3 | Tassello di traino |
| 5 | 726.031.00 | 1 | Campana frizione |
| 6 | 726.032.00 | 1 | Puleggia secondaria fissa |
| 7 | 726.033.00 | 1 | Puleggia secondaria mobile |
| 8 | 726.034.00 | 1 | Piastra traino puleggia anteriore mobile |
| 9 | 726.038.00 | 1 | Scodellino portamolla variatore |
| 10 | 735.033.00 | 1 | Frizione centrifuga |
| 11 | 746.054.00 | 1 | Molla puleggia secondaria mobile |
| 12 | 746.055.00 | 3 | Molla richiamo ceppi frizione |
| 13 | 751.070.00 | 1 | Distanziale |
| 14 | 751.071.00 | 1 | Boccola puleggia anteriore mobile |
| 15 | 753.137.00 | 2 | Anello di tenuta |
| 16 | 756.087.00 | 6 | Massa centrifuga |
| 17 | 756.093.00 | 3 | Rullino guida variatore |
| 18 | 703.031.00 | 3 | Anello seeger |
| 19 | 749.228.00 | 1 | Dado |
| 20 | 749.230.00 | 1 | Dado |
| 21 | 749.231.00 | 1 | Dado |
| 22 | 749.238.00 | 1 | Rondella in acciaio |
| 23 | 749.250.00 | 1 | Rondella conica |
| 24 | 753.245.00 | 2 | Paraolio |
| -- | 740.154.00 | 1 | Gruppo variatore con frizione |

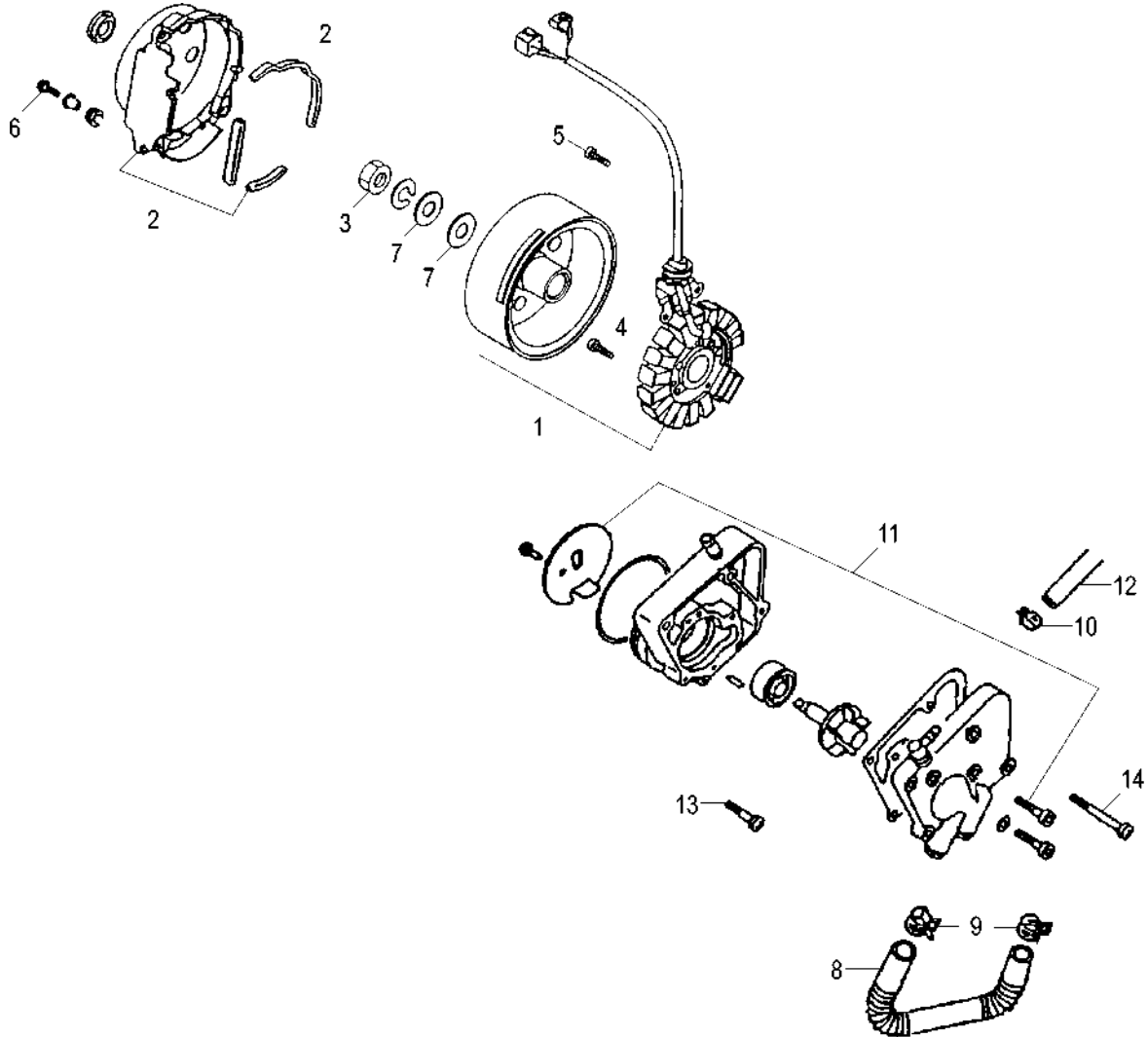
| Nr. | Code | Q.ty | Description |
|-----|------|------|-------------|
|-----|------|------|-------------|

| | | | |
|----|------------|---|-------------------------------------|
| 1 | 717.007.00 | 1 | V-belt |
| 2 | 760.053.00 | 1 | Fixed front pulley |
| 3 | 760.054.00 | 2 | Mobile front pulley |
| 4 | 724.068.00 | 3 | Pin dowel |
| 5 | 726.031.00 | 1 | Clutch housing |
| 6 | 726.032.00 | 1 | Fixed secondary pulley |
| 7 | 726.033.00 | 1 | Mobile secondary pulley |
| 8 | 726.034.00 | 1 | Plate |
| 9 | 726.038.00 | 1 | Spring holder cup |
| 10 | 735.033.00 | 1 | Clutch assy |
| 11 | 746.054.00 | 1 | Mobile secondary pulley spring |
| 12 | 746.055.00 | 3 | Retainer spring |
| 13 | 751.070.00 | 1 | Spacer |
| 14 | 751.071.00 | 1 | Bush |
| 15 | 753.137.00 | 2 | Grommet |
| 16 | 756.087.00 | 6 | Weight rollers |
| 17 | 756.093.00 | 3 | Set of variable speed drive rollers |
| 18 | 703.031.00 | 3 | Seeger ring |
| 19 | 749.228.00 | 1 | Nut |
| 20 | 749.230.00 | 1 | Nut |
| 21 | 749.231.00 | 1 | Nut |
| 22 | 749.238.00 | 1 | Washer |
| 23 | 749.250.00 | 1 | Washer |
| 24 | 753.245.00 | 2 | Seal ring |
| -- | 740.154.00 | 1 | Variable speed drive assy |

Ingranaggi trasmissione - Transmission gears


| Nr. | Codice | Q.tà | Descrizione |
|-----|------------|------|---------------------------------------|
| 1 | 701.052.00 | 1 | Albero uscita moto |
| 2 | 701.060.00 | 1 | Albero trasmissione Z 15 |
| 3 | 740.185.00 | 1 | Ingranaggio doppio intermedio Z 12/40 |
| 4 | 740.152.00 | 1 | Ingranaggio uscita moto Z 44 |
| 5 | 603.227.00 | 1 | Cuscinetto albero trasmissione |
| 6 | 703.033.00 | 1 | Anello seeger |
| 7 | 749.240.00 | 1 | Rondella in acciaio |
| 8 | 751.075.00 | 1 | Cuscinetto ingranaggio doppio |
| 9 | 751.076.00 | 1 | Cuscinetto albero uscita moto |
| 10 | 751.077.00 | 1 | Cuscinetto albero uscita moto |
| 11 | 751.078.00 | 1 | Cuscinetto ingranaggio doppio |
| 12 | 751.082.00 | 1 | Cuscinetto albero trasmissione |
| 13 | 753.154.00 | 1 | Paraolio albero uscita moto |
| 14 | 753.165.00 | 1 | Paraolio albero trasmissione |

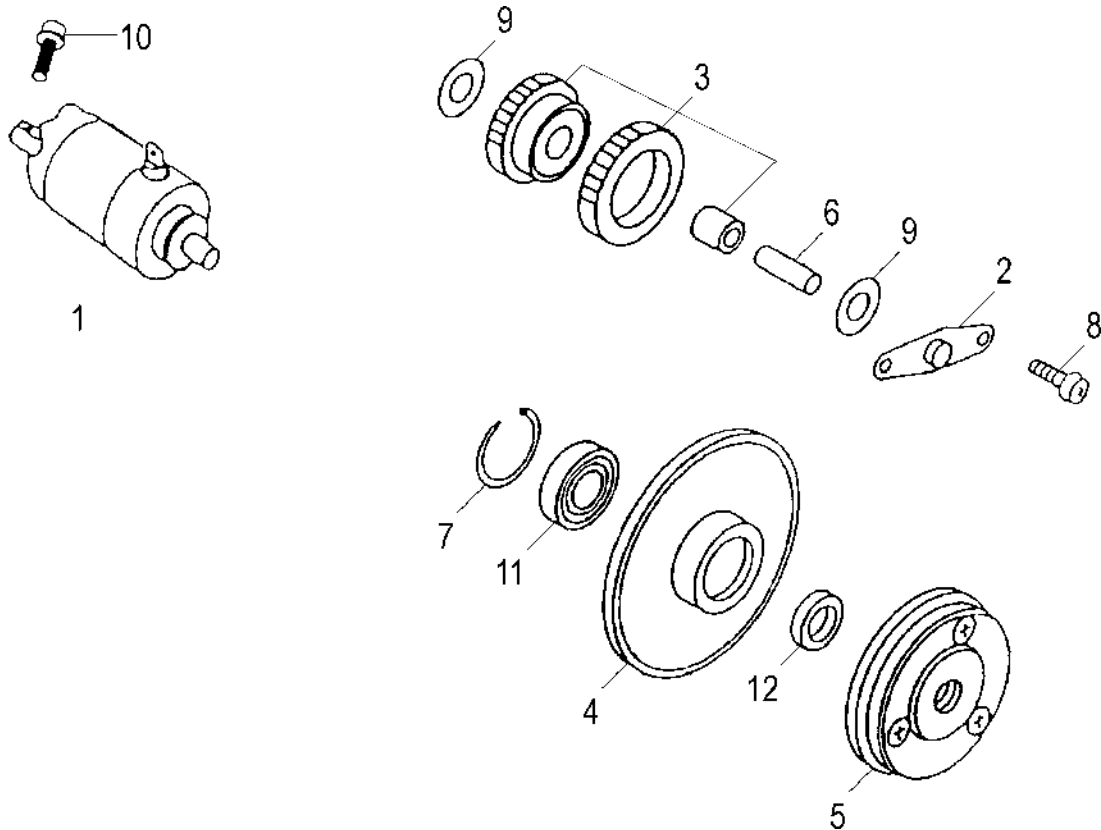
| Nr. | Code | Q.ty | Description |
|-----|------------|------|------------------------|
| 1 | 701.052.00 | 1 | Drive shaft assy |
| 2 | 701.060.00 | 1 | Gear shaft Z 15 |
| 3 | 740.185.00 | 1 | Idle gear assy Z 12/40 |
| 4 | 740.152.00 | 1 | Drive gear Z 44 |
| 5 | 603.227.00 | 1 | Bearing |
| 6 | 703.033.00 | 1 | Seeger ring |
| 7 | 749.240.00 | 1 | Washer |
| 8 | 751.075.00 | 1 | Bearing |
| 9 | 751.076.00 | 1 | Bearing |
| 10 | 751.077.00 | 1 | Bearing |
| 11 | 751.078.00 | 1 | Bearing |
| 12 | 751.082.00 | 1 | Bearing |
| 13 | 753.154.00 | 1 | Drive shaft oil seal |
| 14 | 753.165.00 | 1 | Gear shaft oil seal |

**Volano magnete- Pompa acqua
 Magneto flywheel - Water pump**

Nr. Codice Q.tà Descrizione

| | | | |
|----|------------|---|--------------------------------------|
| 1 | 782.019.00 | 1 | Volano magnete |
| 2 | 721.071.00 | 1 | Coperchio lato volano |
| 3 | 749.233.00 | 1 | Dado |
| 4 | 749.156.00 | 4 | Vite |
| 5 | 749.140.00 | 4 | Vite |
| 6 | 749.248.00 | 6 | Vite |
| 7 | 749.252.00 | 2 | Rondella in lamiera |
| 8 | 724.069.00 | 1 | Tubo acqua pompa - cilindro |
| 9 | 749.224.00 | 2 | Fascetta tubo pompa acqua - cilindro |
| 10 | 749.225.00 | 2 | Fascetta elastica |
| 11 | 760.056.00 | 1 | Corpo pompa acqua |
| 12 | 724.070.00 | 1 | Tubo termostato |
| 13 | 749.156.00 | 4 | Vite |
| 14 | 749.247.00 | 2 | Vite |

Nr. Code Q.ty Description

| | | | |
|----|------------|---|----------------------|
| 1 | 782.019.00 | 1 | Magneto flywheel |
| 2 | 721.071.00 | 1 | Flywheel case |
| 3 | 749.233.00 | 1 | Nut |
| 4 | 749.156.00 | 4 | Screw |
| 5 | 749.140.00 | 4 | Screw |
| 6 | 749.248.00 | 6 | Screw |
| 7 | 749.252.00 | 2 | Washer |
| 8 | 724.069.00 | 1 | Hose (pump/cylinder) |
| 9 | 749.224.00 | 2 | Hose clamp |
| 10 | 749.225.00 | 2 | Clamp |
| 11 | 760.056.00 | 1 | Water pump body |
| 12 | 724.070.00 | 1 | Thermo-switch hose |
| 13 | 749.156.00 | 4 | Screw |
| 14 | 749.247.00 | 2 | Screw |



| Nr. | Codice | Q.tà | Descrizione |
|-----|------------|------|---------------------------------------|
| 1 | 748.003.00 | 1 | Motorino di avviamento |
| 2 | 726.036.00 | 1 | Piastra ingranaggio doppio intermedio |
| 3 | 740.149.00 | 1 | Ingranaggio doppio intermedio |
| 4 | 740.151.00 | 1 | Ingranaggio ruota libera |
| 5 | 740.153.00 | 1 | Ruota libera completa |
| 6 | 756.092.00 | 1 | Perno supporto intermedio |
| 7 | 703.032.00 | 1 | Anello seeger cuscinetto |
| 8 | 749.140.00 | 4 | Vite |
| 9 | 749.251.00 | 2 | Rondella in acciaio |
| 10 | 749.256.00 | 6 | Vite |
| 11 | 751.072.00 | 1 | Cuscinetto ruota libera |
| 12 | 751.080.00 | 1 | Distanziale |

| Nr. | Code | Q.ty | Description |
|-----|------------|------|--------------------|
| 1 | 748.003.00 | 1 | Starter motor assy |
| 2 | 726.036.00 | 1 | Plate |
| 3 | 740.149.00 | 1 | Idle gear assy |
| 4 | 740.151.00 | 1 | Free wheel gear |
| 5 | 740.153.00 | 1 | Free wheel assy |
| 6 | 756.092.00 | 1 | Pin |
| 7 | 703.032.00 | 1 | Seeger ring |
| 8 | 749.140.00 | 4 | Screw |
| 9 | 749.251.00 | 2 | Washer |
| 10 | 749.256.00 | 6 | Screw |
| 11 | 751.072.00 | 1 | Bearing |
| 12 | 751.080.00 | 1 | Spacer |