



Malaguti
IDEE IN MOTO

F 15 ARIA KAT RETYLING EURO 2 ('05/'06 - ZJM 73)



TELAIO - INDICE TAVOLE

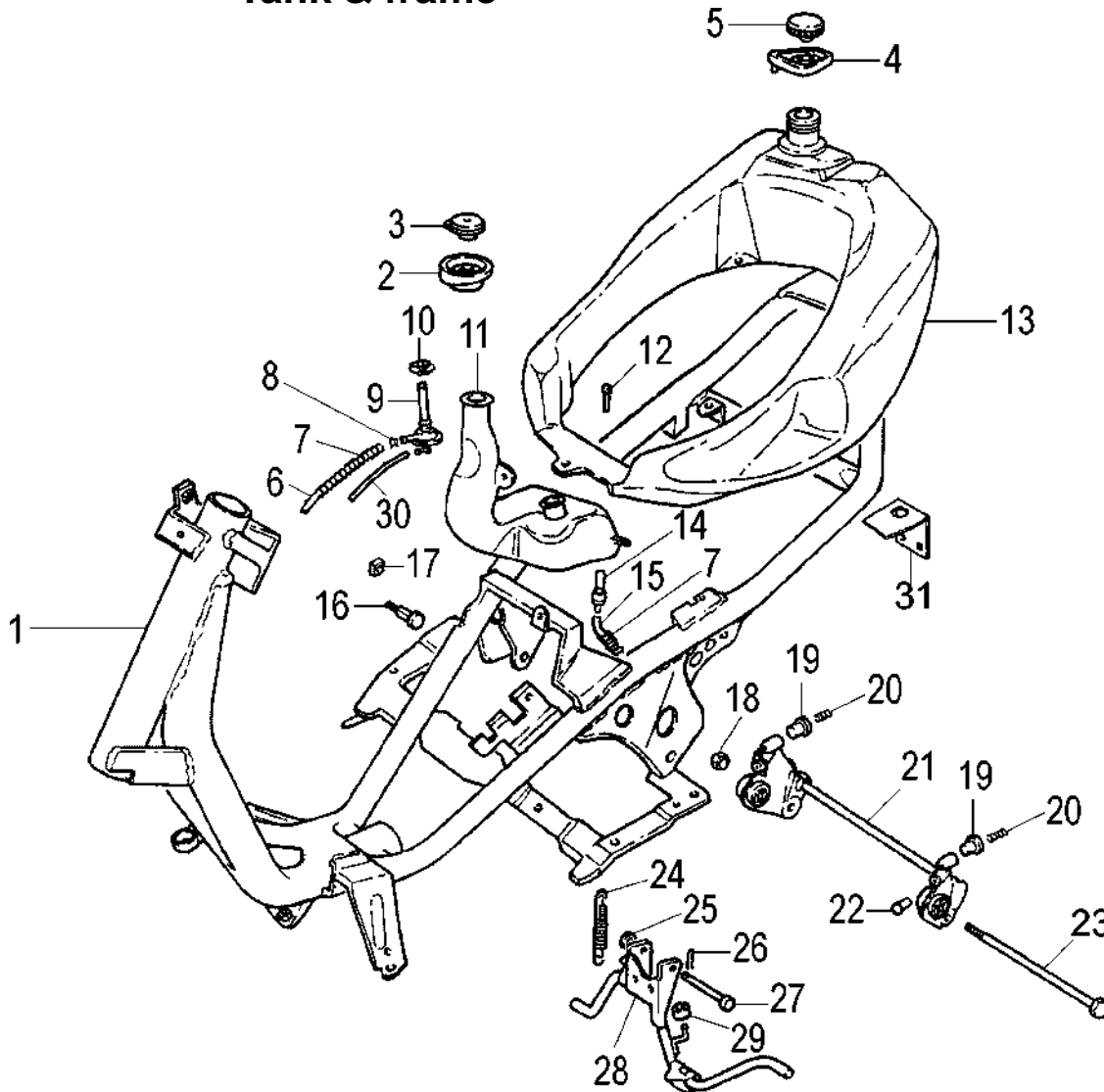
FRAME - INDEX OF THE TABLES

| | | | | |
|-------------|--------------|------------|------------|------------|
| TAV. A | TAV. C-D | TAV. E | TAV. F | TAV. G |
| TAV. H | TAV. I | TAV. L | TAV. M | TAV. N |
| TAV. OO | TAV. O | | | |

MOTORE - INDICE TAVOLE

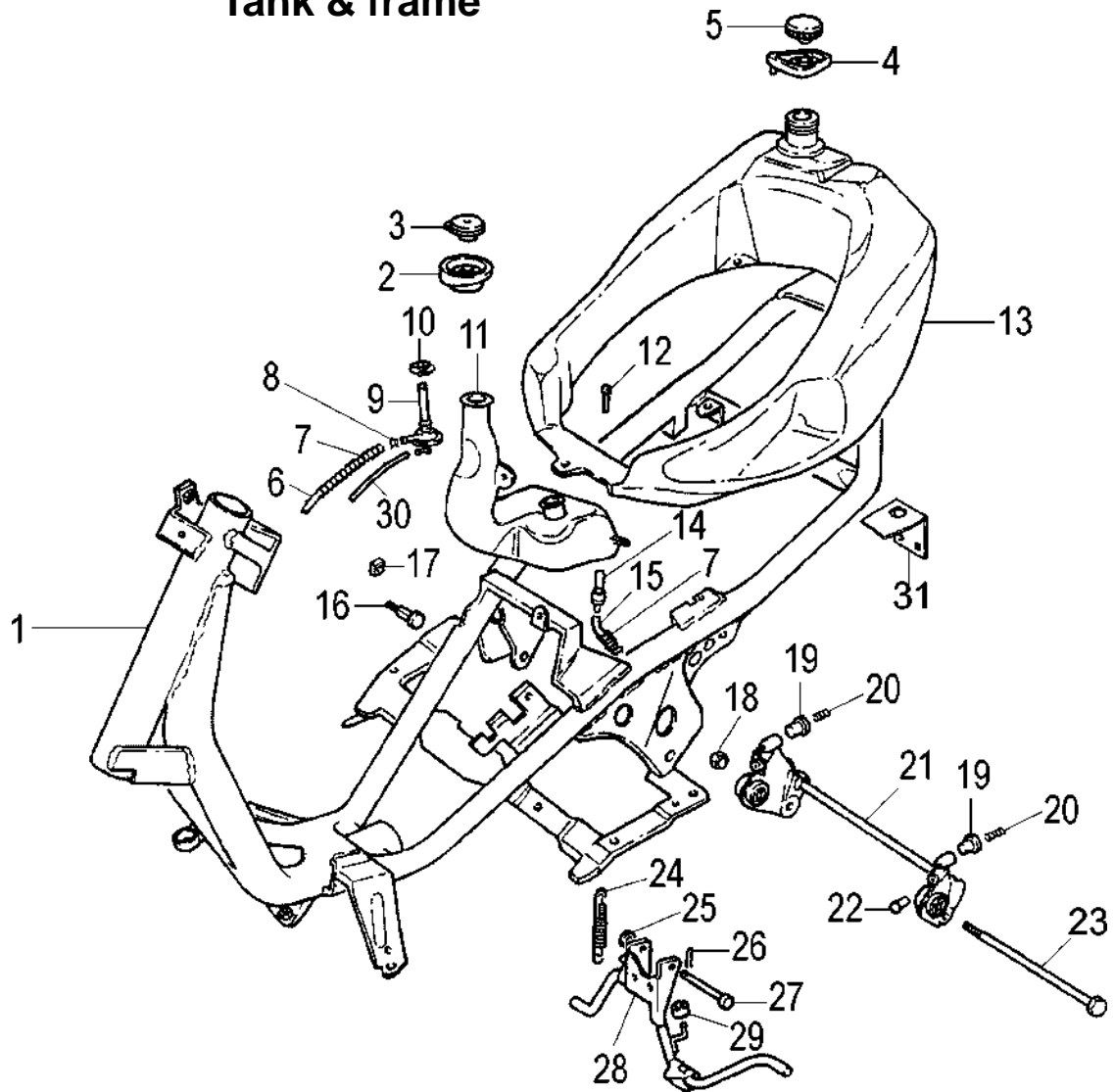
ENGINE - INDEX OF THE TABLES

| | | | | |
|------------|-------------|--|--|--|
| TAV. R | TAV. R1 | | | |
|------------|-------------|--|--|--|

Telaio & serbatoio
Tank & frame


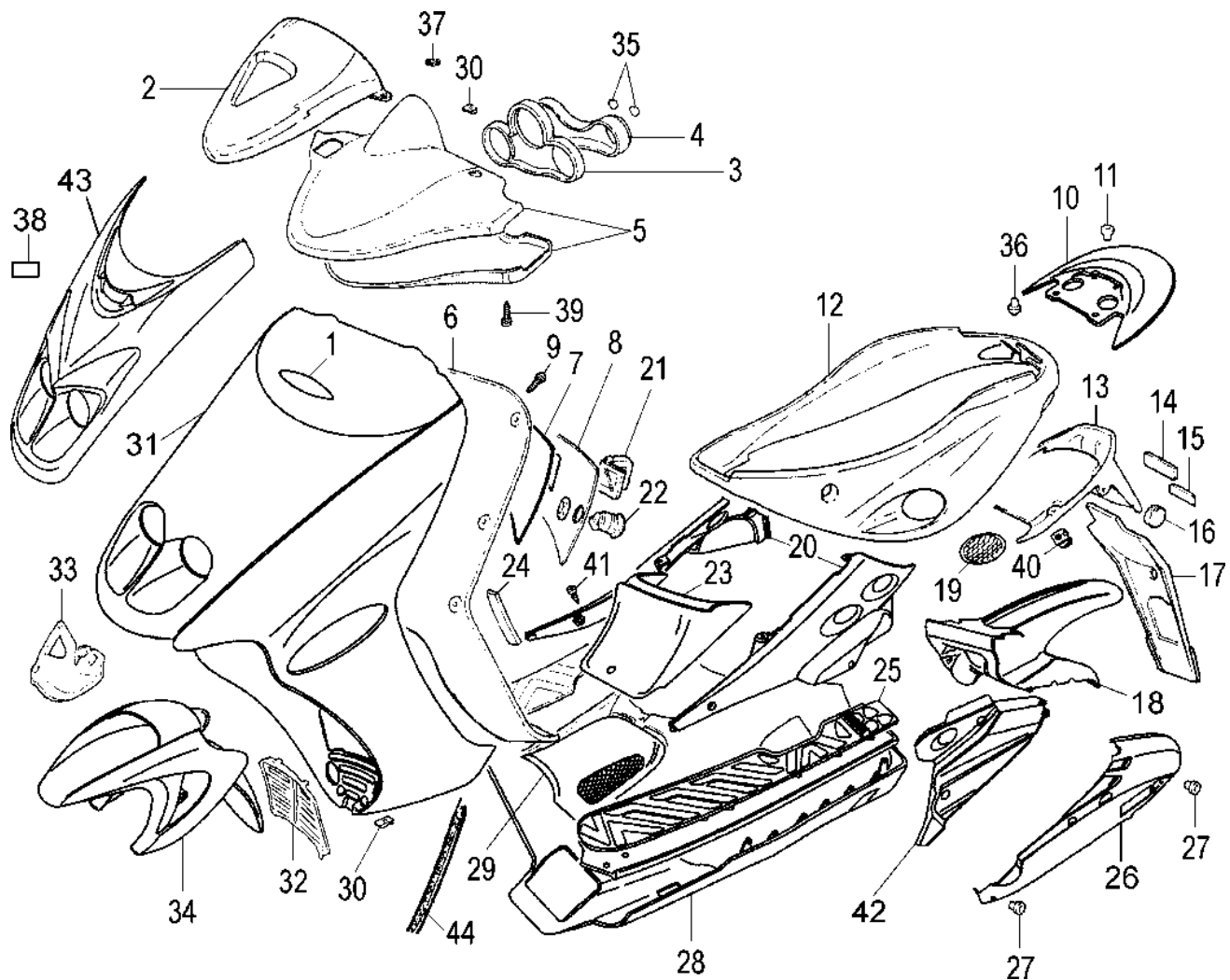
| Nr. | Codice | Q.tà | Descrizione |
|-----|------------|------|-----------------------------------|
| 1 | 156.075.99 | 1 | Telaio |
| 2 | 071.251.07 | 1 | Coperchio tappo serbatoio olio |
| 3 | 071.144.00 | 1 | Tappo serbatoio olio |
| 4 | 071.252.07 | 1 | Coperchio serbatoio tappo benzina |
| 5 | 092.016.03 | 1 | Tappo serbatoio benzina |
| 6 | 180.010.50 | 1 | Tubo benzina |
| 7 | 147.080.13 | 2 | Molla protezione tubo |
| 8 | 167.018.13 | 6 | Fascetta tubo benzina |
| 9 | 093.045.00 | 1 | Rubinetto benzina |
| 10 | 167.031.00 | 1 | Fascetta |
| 11 | 161.031.00 | 1 | Serbatoio olio |
| 12 | 184.060.15 | 3 | Vite fissaggio serbatoio |
| 13 | 161.039.00 | 1 | Serbatoio benzina |
| 14 | 094.007.00 | 1 | Raccordo olio |
| 15 | 180.003.54 | 1 | Tubo olio |
| 16 | 190.027.14 | 2 | Perno supporto motore |
| 17 | 185.012.00 | 2 | Dado perno bilanciere |
| 18 | 185.011.00 | 1 | Dado perno motore |
| 19 | 080.010.00 | 2 | Portamolla |
| 20 | 147.106.14 | 2 | Molla antivibrazione |
| 21 | 174.023.99 | 1 | Attacco motore completo |
| 22 | 072.066.03 | 2 | Gommino antivibrante |
| 23 | 190.019.13 | 1 | Perno motore |
| 24 | 147.109.13 | 1 | Molla cavalletto doppia |
| 25 | 071.140.03 | 1 | Rondella |

| Nr. | Code | Q.ty | Description |
|-----|------------|------|-------------------------|
| 1 | 156.075.99 | 1 | Frame |
| 2 | 071.251.07 | 1 | Cover |
| 3 | 071.144.00 | 1 | Oil tank cap |
| 4 | 071.252.07 | 1 | Cover |
| 5 | 092.016.03 | 1 | Fuel tank cap |
| 6 | 180.010.50 | 1 | Fuel hose |
| 7 | 147.080.13 | 2 | Pipe spring |
| 8 | 167.018.13 | 6 | Petrol pipe clamp |
| 9 | 093.045.00 | 1 | Fuel cock |
| 10 | 167.031.00 | 1 | Clamp |
| 11 | 161.031.00 | 1 | Oil tank |
| 12 | 184.060.15 | 3 | Fuel tank fixing screws |
| 13 | 161.039.00 | 1 | Fuel tank |
| 14 | 094.007.00 | 1 | Oil pipe connector |
| 15 | 180.003.54 | 1 | Oil pipe |
| 16 | 190.027.14 | 2 | Pin |
| 17 | 185.012.00 | 2 | Nut |
| 18 | 185.011.00 | 1 | Lower engine mount nut |
| 19 | 080.010.00 | 2 | Full bump spring cup |
| 20 | 147.106.14 | 2 | Full bump spring |
| 21 | 174.023.99 | 1 | Engine bracket |
| 22 | 072.066.03 | 2 | Rubber grommet |
| 23 | 190.019.13 | 1 | Lower engine mount bolt |
| 24 | 147.109.13 | 1 | Main stand spring |
| 25 | 071.140.03 | 1 | Main stand washer |

Telaio & serbatoio
Tank & frame


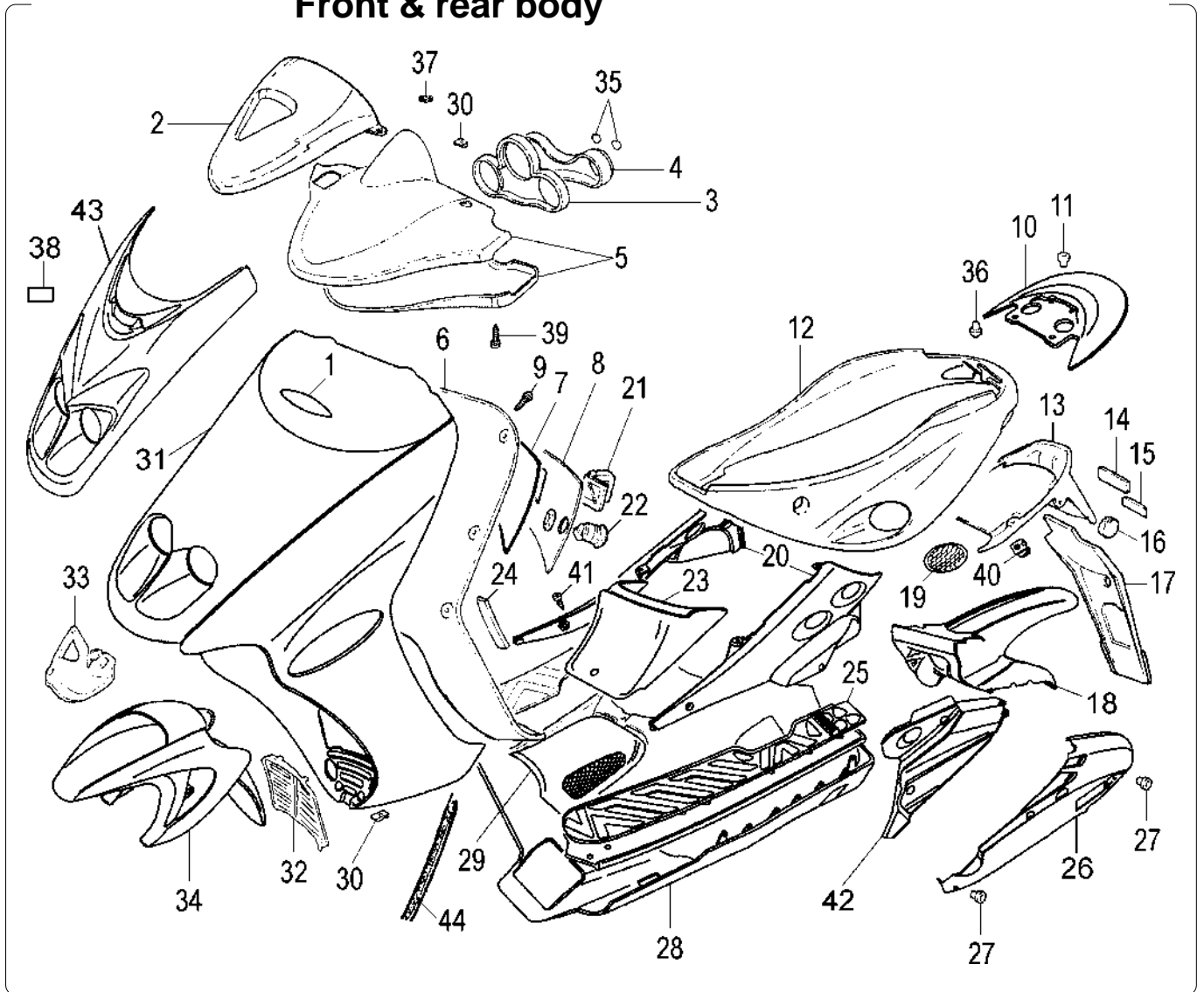
| Nr. | Codice | Q.tà | Descrizione |
|-----|------------|------|-------------------------------|
| 26 | 184.011.00 | 1 | Copiglia |
| 27 | 150.177.15 | 1 | Perno cavalletto |
| 28 | 158.040.99 | 1 | Cavalletto completo |
| 29 | 072.064.00 | 1 | Gommino paracolpi |
| 30 | 180.003.54 | 1 | Tube |
| 31 | 191.062.13 | 1 | Piastra fissaggio valvola AIS |
| -- | 090.035.00 | 1 | Kit serrature |

| Nr. | Code | Q.ty | Description |
|-----|------------|------|----------------------|
| 26 | 184.011.00 | 1 | Split pin |
| 27 | 150.177.15 | 1 | Main stand pivot pin |
| 28 | 158.040.99 | 1 | Main stand assy |
| 29 | 072.064.00 | 1 | Main stand bump stop |
| 30 | 180.003.54 | 1 | Oil pipe |
| 31 | 191.062.13 | 1 | AIS fixing plate |
| -- | 090.035.00 | 1 | Locks kit |

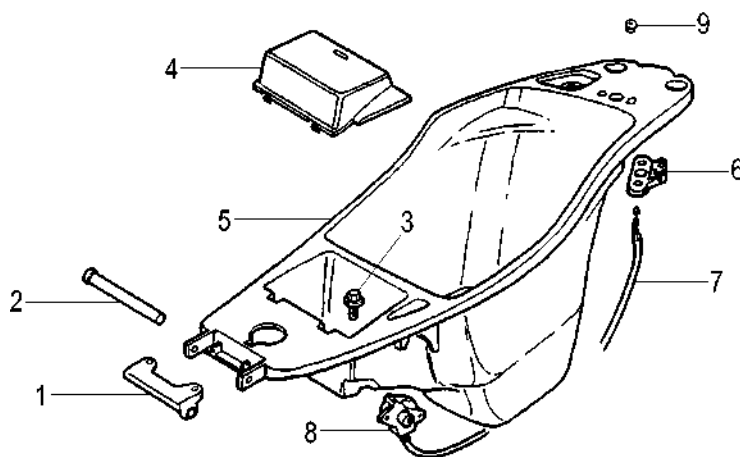
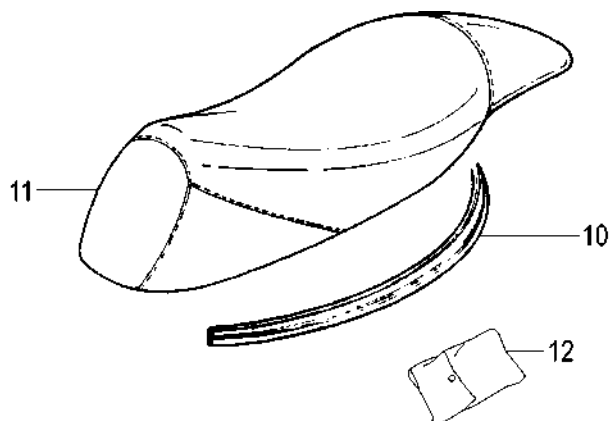
Carrozzeria anteriore & posteriore
Front & rear body


| Nr. | Codice | Q.tà | Descrizione |
|-----|-------------|------|----------------------------------|
| 1 | 181.338.00 | 1 | Etichetta scudo |
| 2 | 063.151.00 | 1 | Trasparente cruscotto |
| 3 | 067.025.03 | 1 | Portastrumenti |
| 4 | 071.466.88 | 1 | Mascherina |
| 5 | 071.263. -- | 1 | Coprimanubrio sup. & inf. * |
| 6 | 065.050.03 | 1 | Paragambe |
| 7 | 072.067.00 | 1 | Guarnizione bauletto |
| 8 | 071.249.03 | 1 | Coperchio bauletto |
| 9 | 184.041.15 | 16 | Vite scudo paragambe |
| 10 | 063.127. -- | 1 | Spoiler * |
| 11 | 150.210.13 | 4 | Boccola spoiler |
| 12 | 063.126. -- | 1 | Carena posteriore * |
| 13 | 057.044.03 | 1 | Codino parafango |
| 14 | 071.117.01 | 1 | Catadiottro rosso |
| 15 | 181.400.00 | 1 | Etichetta in resina |
| 16 | 071.225.00 | 2 | Catadiottro ambra |
| 17 | 057.045.03 | 1 | Prolunga porta targa |
| 18 | 056.056.03 | 1 | Copriruota posteriore |
| 19 | 071.247.07 | 1 | Griglie carena posteriore in cp. |
| 20 | 063.125.87 | 1 | Carena telaio dx + sx |
| 21 | 071.182.03 | 1 | Gancio porta borsa |
| 22 | 090.024.00 | 1 | Serratura bauletto |
| 23 | 071.248.03 | 1 | Coperchio carena |
| 24 | 071.145.03 | 1 | Coperchio numeri |
| 25 | 064.015.07 | 1 | Pedana in gomma in cp. |
| 26 | 063.128.87 | 1 | Coprimotore |

| Nr. | Code | Q.ty | Description |
|-----|-------------|------|---------------------------------|
| 1 | 181.338.00 | 1 | Front shield label |
| 2 | 063.151.00 | 1 | Dashboard lens |
| 3 | 067.025.03 | 1 | Instruments holder |
| 4 | 071.466.88 | 1 | Dashboard cover |
| 5 | 071.263. -- | 1 | Lower & upper handlebar cover * |
| 6 | 065.050.03 | 1 | Inner shield |
| 7 | 072.067.00 | 1 | Battery cover gasket |
| 8 | 071.249.03 | 1 | Case cover |
| 9 | 184.041.15 | 16 | Screw |
| 10 | 063.127. -- | 1 | Spoiler * |
| 11 | 150.210.13 | 4 | Fixing bush |
| 12 | 063.126. -- | 1 | Rear fairing * |
| 13 | 057.044.03 | 1 | Rear mudguard tail |
| 14 | 071.117.01 | 1 | Red reflector |
| 15 | 181.400.00 | 1 | Malaguti name plate |
| 16 | 071.225.00 | 2 | Amber reflector |
| 17 | 057.045.03 | 1 | Number plate holder |
| 18 | 056.056.03 | 1 | Rear wheel cover |
| 19 | 071.247.07 | 1 | Fairing grid set |
| 20 | 063.125.87 | 1 | Side covers set |
| 21 | 071.182.03 | 1 | Bag handle |
| 22 | 090.024.00 | 1 | Glove box lock |
| 23 | 071.248.03 | 1 | Fairing cover |
| 24 | 071.145.03 | 1 | Vin numbers inspection cover |
| 25 | 064.015.07 | 1 | Mats set |
| 26 | 063.128.87 | 1 | Engine cover |

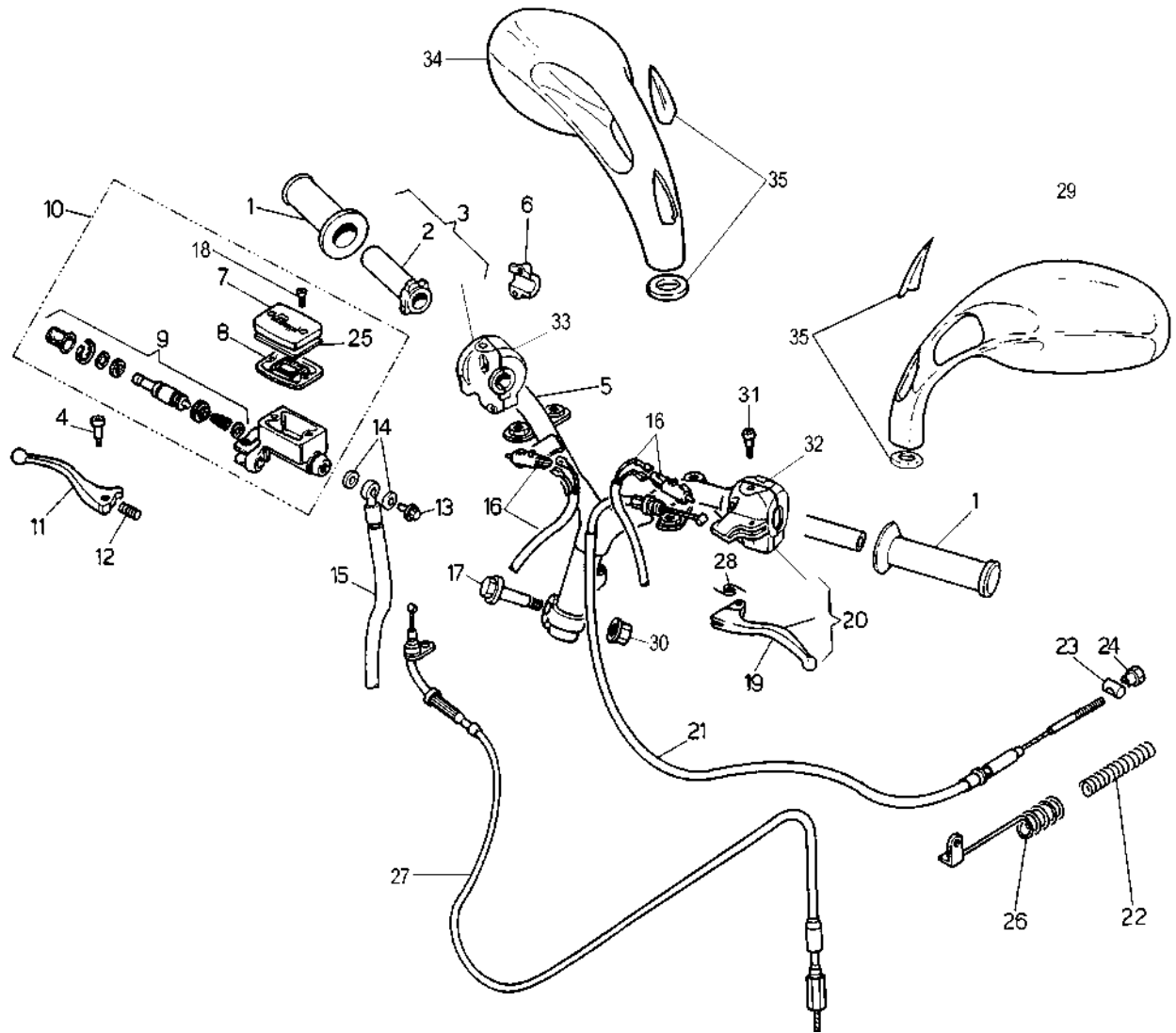
Carrozzeria anteriore & posteriore
Front & rear body


| Nr. | Codice | Q.tà | Descrizione | Nr. | Code | Q.ty | Description |
|-----|-------------|------|---|-----|-------------|------|--|
| 27 | 150.148.14 | 4 | Boccola | 27 | 150.148.14 | 4 | Fixing bolt |
| 28 | 063.124. -- | 1 | Puntone * | 28 | 063.124. -- | 1 | Belly pan * |
| 29 | 064.016.03 | 1 | Pedana poggia piedi | 29 | 064.016.03 | 1 | Footboard panel |
| 30 | 184.007.00 | 16 | Clips per viti | 30 | 184.007.00 | 16 | Clip |
| 31 | 066.125. -- | 1 | Scudo anteriore * | 31 | 066.125. -- | 1 | Front shield * |
| 32 | 071.256.03 | 1 | Griglia radiatore | 32 | 071.256.03 | 1 | Radiator grid |
| 33 | 071.257.03 | 1 | Grondaia scudo | 33 | 071.257.03 | 1 | Lid |
| 34 | 055.050. -- | 1 | Parafango anteriore * | 34 | 055.050. -- | 1 | Front mudguard * |
| 35 | 181.134.00 | 1 | Etichette in resina | 35 | 181.134.00 | 1 | Name plate |
| 36 | 071.152.03 | 2 | Paracolpi | 36 | 071.152.03 | 2 | Bump stop |
| 37 | 072.084.03 | 1 | Spugna antivibrazione | 37 | 072.084.03 | 1 | Adhesive grommet |
| 38 | 181.342.00 | 1 | Etichetta resina | 38 | 181.342.00 | 1 | Label |
| 39 | 184.071.15 | 4 | Vite coprimanubrio | 39 | 184.071.15 | 4 | Handlebar cover screw |
| 40 | 184.206.00 | 4 | Clips per vite | 40 | 184.206.00 | 4 | Clip |
| 41 | 184.155.15 | 6 | Vite pedana - carena | 41 | 184.155.15 | 6 | Footboard bolt |
| 42 | 063.219.03 | 1 | Coperchio | 42 | 063.219.03 | 1 | Cover |
| 43 | 066.131. -- | 1 | Scudetto anteriore * | 43 | 066.131. -- | 1 | Front shield cover |
| 44 | 072.077.00 | 1 | Profilato | 44 | 072.077.00 | 1 | Gasket |
| -- | 181.402.61 | 1 | Sr. marche BLU RACE * | -- | 181.402.61 | 1 | BLU RACE label set * |
| -- | 181.402.65 | 1 | Sr. marche RED RACE * | -- | 181.402.65 | 1 | RED RACE label set * |
| -- | 181.529.12 | 1 | Sr. marche scudo RED RACE * | -- | 181.529.12 | 1 | RED RACE front shield label set * |
| -- | 181.529.22 | 1 | Sr. marche carena RED RACE * | -- | 181.529.22 | 1 | RED RACE rear fairing label set * |
| -- | 181.529.42 | 1 | Sr. marche puntone RED RACE * | -- | 181.529.42 | 1 | RED RACE belly pan label set * |
| -- | 181.529.52 | 1 | Sr. marche parafango ant. RED RACE * | -- | 181.529.52 | 1 | RED RACE front mudguard label set * |

Vano casco & gruppo sella
Seat & helmet case


| Nr. | Codice | Q.tà | Descrizione |
|-----|------------|------|---------------------------|
| 1 | 188.040.99 | 1 | Supporto sella |
| 2 | 150.174.13 | 1 | Tubo fulcro sella |
| 3 | 190.022.00 | 2 | Vite fissaggio vano casco |
| 4 | 071.250.07 | 1 | Coperchio batteria |
| 5 | 065.051.03 | 1 | Vano porta casco |
| 6 | 090.039.00 | 1 | Levismo sella |
| 7 | 035.019.03 | 1 | Trasmissione sella |
| 8 | 090.037.00 | 1 | Serratura sella |
| 9 | 150.148.14 | 2 | Boccola |
| 10 | 072.061.03 | 1 | Guarnizione sella |
| 11 | 106.081.03 | 1 | Sellone |
| 12 | 086.006.14 | 1 | Trousse attrezzi |

| Nr. | Code | Q.ty | Description |
|-----|------------|------|--------------------|
| 1 | 188.040.99 | 1 | Seat hinge bracket |
| 2 | 150.174.13 | 1 | Seat tube |
| 3 | 190.022.00 | 2 | Fixing bolt |
| 4 | 071.250.07 | 1 | Battery cover |
| 5 | 065.051.03 | 1 | Helmet case |
| 6 | 090.039.00 | 1 | Seat hinge |
| 7 | 035.019.03 | 1 | Seat cable |
| 8 | 090.037.00 | 1 | Seat lock |
| 9 | 150.148.14 | 2 | Fixing bolt |
| 10 | 072.061.03 | 1 | Seat base seal |
| 11 | 106.081.03 | 1 | Seat |
| 12 | 086.006.14 | 1 | Tool kit |

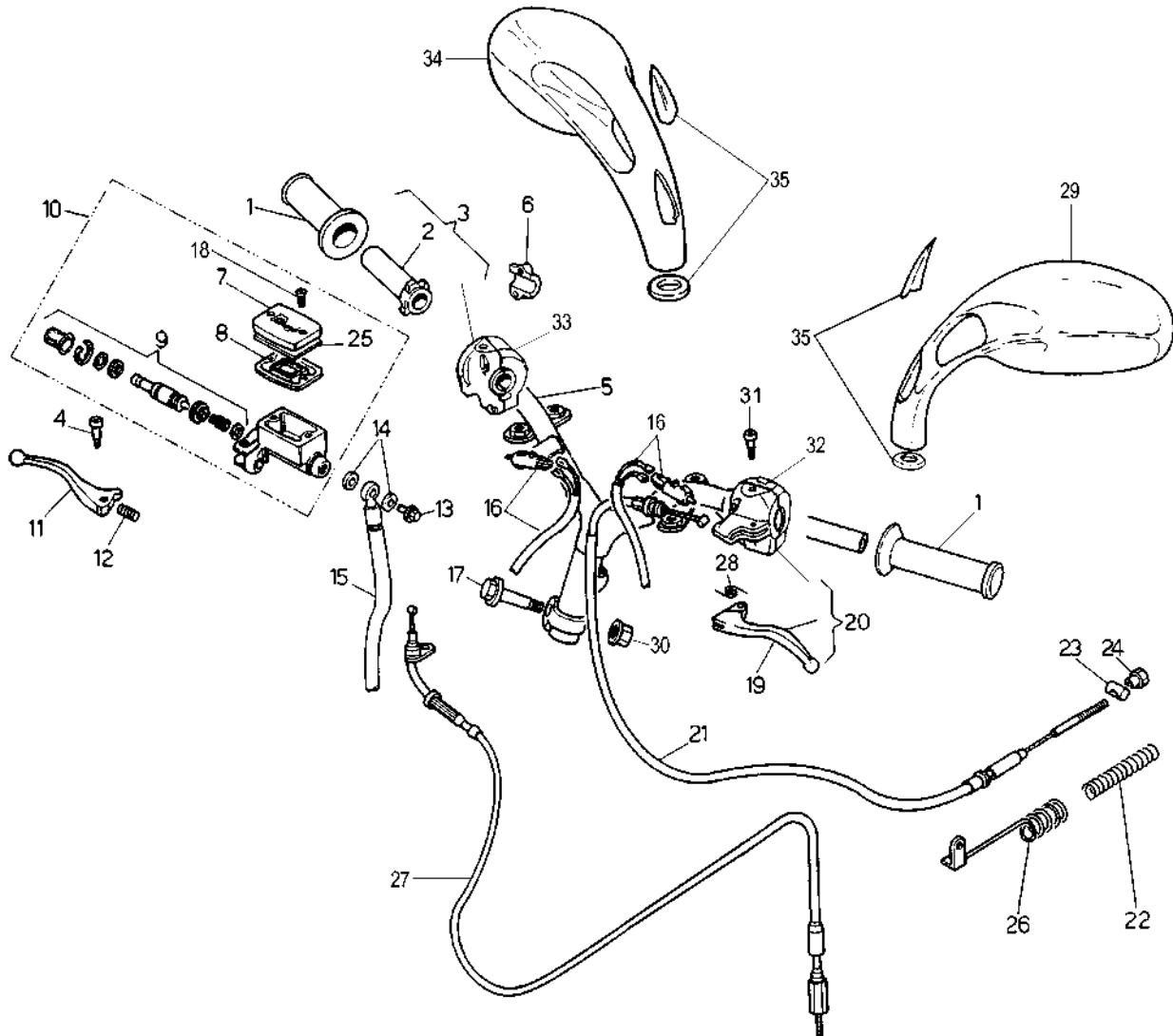
Manubrio & comandi
Handlebar & controls


| Nr. | Codice | Q.tà | Descrizione |
|-----|------------|------|-------------------------------|
| 1 | 097.014.03 | 1 | Kit manopole (dx + sx) |
| 2 | 121.134.00 | 1 | Tubo comando gas |
| 3 | 028.018.00 | 1 | Comando gas completo |
| 4 | 121.106.00 | 1 | Fulcro leva dx |
| 5 | 162.036.13 | 1 | Manubrio |
| 6 | 121.139.00 | 1 | Attacco pompa |
| 7 | 121.127.00 | 1 | Coperchio pompa |
| 8 | 121.099.00 | 1 | Guarnizione pompa |
| 9 | 121.128.00 | 1 | Pistone completo |
| 10 | 030.016.03 | 1 | Pompa freno completa |
| 11 | 121.132.03 | 1 | Leva dx |
| 12 | 121.108.00 | 1 | Molla leva dx |
| 13 | 150.024.14 | 1 | Vite trasmissione idraulica |
| 14 | 190.006.00 | 2 | Rasamento |
| 15 | 033.034.00 | 1 | Trasmissione idraulica |
| 16 | 017.140.00 | 2 | Cablaggio interruttore stop |
| 17 | 150.179.13 | 1 | Vite fissaggio manubrio |
| 18 | 184.179.00 | 2 | Vite coperchio pompa |
| 19 | 121.133.03 | 1 | Leva sx |
| 20 | 125.030.00 | 1 | Comando sx completo |
| 21 | 048.031.03 | 1 | Trasmissione freno posteriore |
| 22 | 147.086.13 | 1 | Molla freno posteriore |
| 23 | 119.354.13 | 1 | Barilotto |
| 24 | 150.175.13 | 1 | Vite regolazione freno |

* Vedi tav. N° OO Colori

| Nr. | Code | Q.ty | Description |
|-----|------------|------|-------------------------------|
| 1 | 097.014.03 | 1 | Handgrip set (r/h+l/h) |
| 2 | 121.134.00 | 1 | Throttle twist grip tube |
| 3 | 028.018.00 | 1 | Twist grip tube & bracket |
| 4 | 121.106.00 | 1 | R/h lever bolt |
| 5 | 162.036.13 | 1 | Handlebar |
| 6 | 121.139.00 | 1 | Front brake clamp |
| 7 | 121.127.00 | 1 | Cover |
| 8 | 121.099.00 | 1 | Master cylinder seal |
| 9 | 121.128.00 | 1 | Piston kit |
| 10 | 030.016.03 | 1 | Master cylinder assy |
| 11 | 121.132.03 | 1 | R/h brake lever |
| 12 | 121.108.00 | 1 | R/h brake lever spring |
| 13 | 150.024.14 | 1 | Banjo bolt |
| 14 | 190.006.00 | 2 | Copper banjo washer |
| 15 | 033.034.00 | 1 | Front brake hose |
| 16 | 017.140.00 | 2 | Brake light switch and wire |
| 17 | 150.179.13 | 1 | Clamp bolt |
| 18 | 184.179.00 | 2 | Master cylinder screw |
| 19 | 121.133.03 | 1 | Rear brake lever (l/h) |
| 20 | 125.030.00 | 1 | Rear brake control assy (l/h) |
| 21 | 048.031.03 | 1 | Rear brake cable |
| 22 | 147.086.13 | 1 | Rear brake spring |
| 23 | 119.354.13 | 1 | Rear brake cable nipple |
| 24 | 150.175.13 | 1 | Rear brake adjusting screw |

* Refer to N° OO colour table

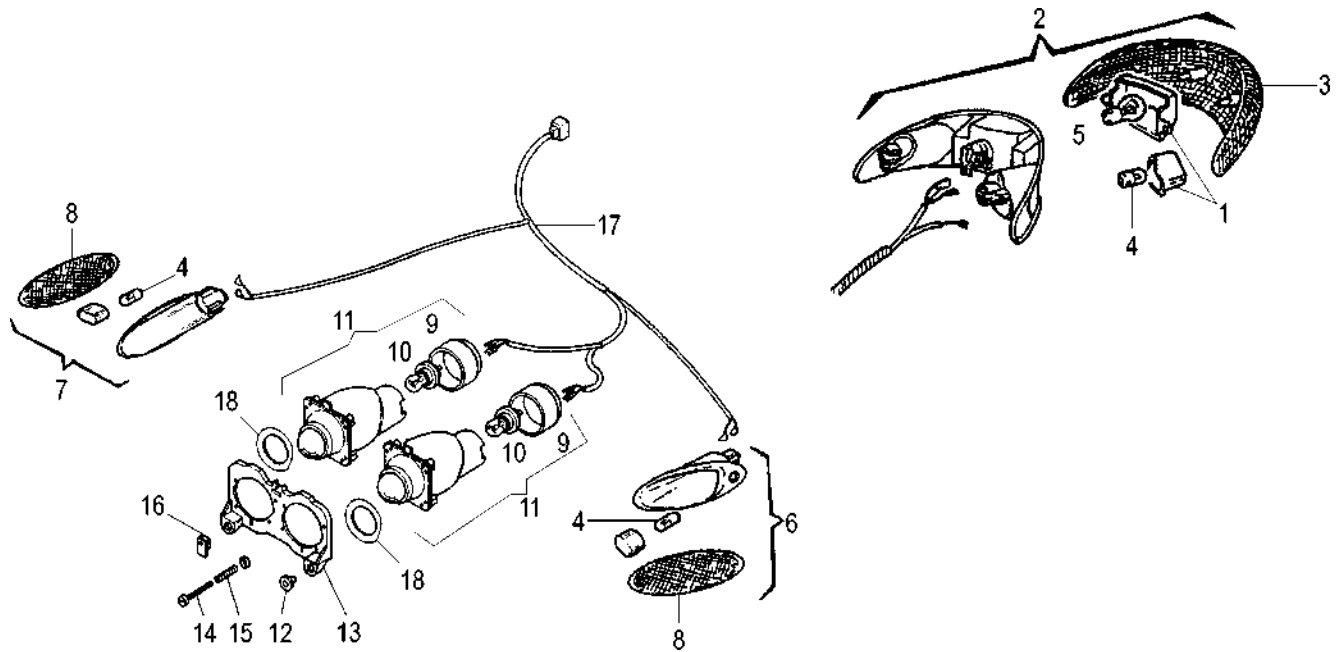
Manubrio & comandi
Handlebar & controls


| Nr. | Codice | Q.tà | Descrizione |
|-----|--------------|------|---|
| 25 | 121.141.00 | 1 | Scodellino coperchio pompa |
| 26 | 147.100.13 | 1 | Molla trasm. freno posteriore |
| 27 | 034.080.03 | 1 | Trasmissione gas |
| 28 | 121.017.00 | 1 | Molla leva sx |
| 29 | 088.018. - - | 1 | Specchio sx * |
| 30 | 184.056.13 | 1 | Dado fissaggio manubrio |
| 31 | 121.136.00 | 1 | Vite fulcro leva sx |
| 32 | 020.050.00 | 1 | Commutatore sx |
| 33 | 020.047.00 | 1 | Commutatore dx |
| 34 | 088.019. - - | 1 | Specchio dx * (di serie mercato estero) |
| 35 | 071.254.03 | 2 | Tappo specchio |

| Nr. | Code | Q.ty | Description |
|-----|--------------|------|----------------------------------|
| 25 | 121.141.00 | 1 | Master cylinder cover seal |
| 26 | 147.100.13 | 1 | Rear brake cable bracket |
| 27 | 034.080.03 | 1 | Throttle cable |
| 28 | 121.017.00 | 1 | L/h lever spring |
| 29 | 088.018. - - | 1 | L/h mirror * |
| 30 | 184.056.13 | 1 | Handlebar fixing clamp nut |
| 31 | 121.136.00 | 1 | L/h lever screw |
| 32 | 020.050.00 | 1 | L/h switch |
| 33 | 020.047.00 | 1 | R/h switch |
| 34 | 088.019. - - | 1 | R/h mirror * (originally fitted) |
| 35 | 071.254.03 | 2 | Plug |

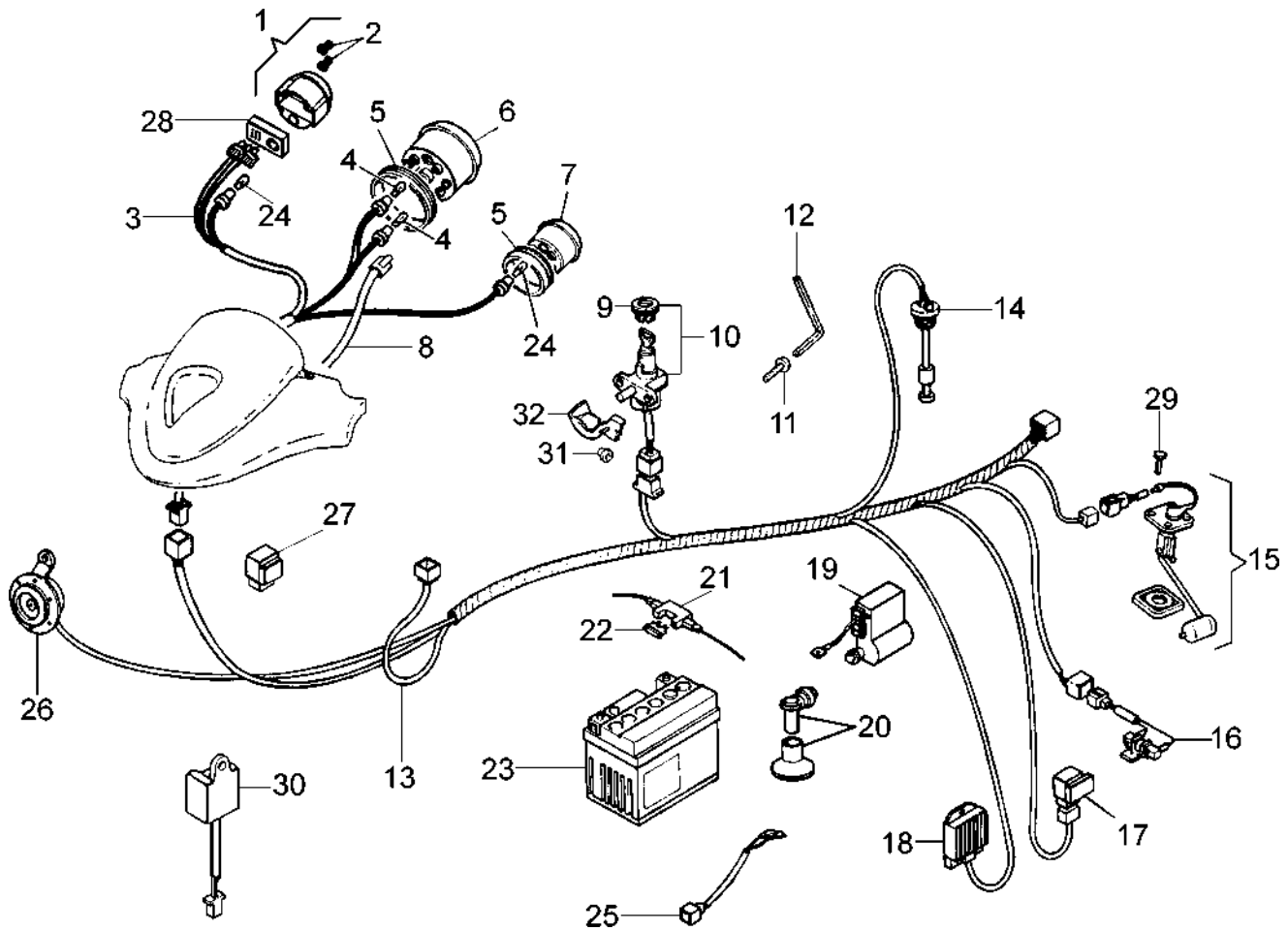
* Vedi tav. N° OO Colori

* Refer to N° OO colour table

Impianto elettrico
Electrical system


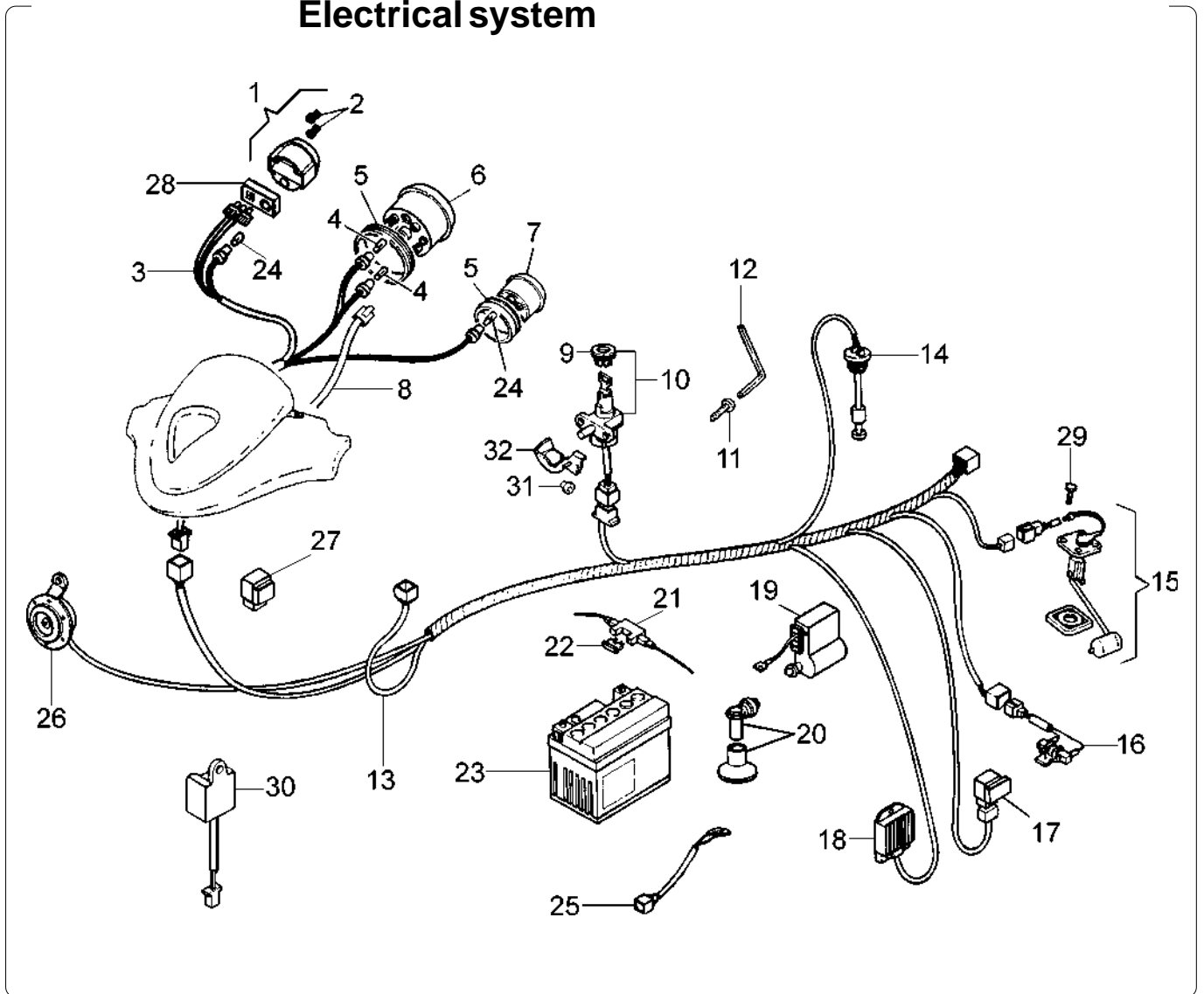
| Nr. | Codice | Q.tà | Descrizione |
|-----|------------|------|----------------------------------|
| 1 | 016.053.00 | 1 | Kit coppette fanale posteriore |
| 2 | 016.044.00 | 1 | Fanale posteriore |
| 3 | 016.045.00 | 1 | Vetro fanale posteriore |
| 4 | 022.017.00 | 4 | Lampadina 12 V - 10 W |
| 5 | 022.048.00 | 1 | Lampadina 12 V - 5-21 W |
| 6 | 019.041.00 | 1 | Indicatore anteriore sx |
| 7 | 019.040.00 | 1 | Indicatore anteriore dx |
| 8 | 019.043.00 | 1 | Vetro indicatori anteriore |
| 9 | 072.069.00 | 2 | Cappuccio faro |
| 10 | 022.042.00 | 2 | Lampadina 12 V - 15 W |
| 11 | 015.051.00 | 2 | Faro anteriore |
| 12 | 075.010.00 | 2 | Gommino supporto faro |
| 13 | 071.194.03 | 1 | Supporto faro anteriore |
| 14 | 190.004.00 | 1 | Vite regolazione faro |
| 15 | 147.038.14 | 1 | Molla regolazione faro |
| 16 | 191.017.13 | 1 | Piastrina regolazione faro |
| 17 | 017.219.00 | 1 | Cablaggio faro |
| 18 | 071.445.16 | 2 | Anello adattatore faro anteriore |

| Nr. | Code | Q.ty | Description |
|-----|------------|------|------------------------------|
| 1 | 016.053.00 | 1 | Tail light lens holder |
| 2 | 016.044.00 | 1 | Tail-light |
| 3 | 016.045.00 | 1 | Tail lamp lens |
| 4 | 022.017.00 | 4 | 12 V - 10 W bulb |
| 5 | 022.048.00 | 1 | 12 V 5-21 W bulb |
| 6 | 019.041.00 | 1 | L/h front turn indicator |
| 7 | 019.040.00 | 1 | R/h front turn indicator |
| 8 | 019.043.00 | 1 | R/h+l/h turn indicator glass |
| 9 | 072.069.00 | 2 | Headlamp rubber cap |
| 10 | 022.042.00 | 2 | 12 V - 15 W bulb |
| 11 | 015.051.00 | 2 | Head light assy |
| 12 | 075.010.00 | 2 | Head lamp bracket grommet |
| 13 | 071.194.03 | 1 | Head lamp bracket |
| 14 | 190.004.00 | 1 | Head lamp adjusting screw |
| 15 | 147.038.14 | 1 | Head lamp adjusting spring |
| 16 | 191.017.13 | 1 | Head lamp adjusting plate |
| 17 | 017.219.00 | 1 | Head light cable |
| 18 | 071.445.16 | 2 | Head lamp adapter ring |

Impianto elettrico
Electrical system


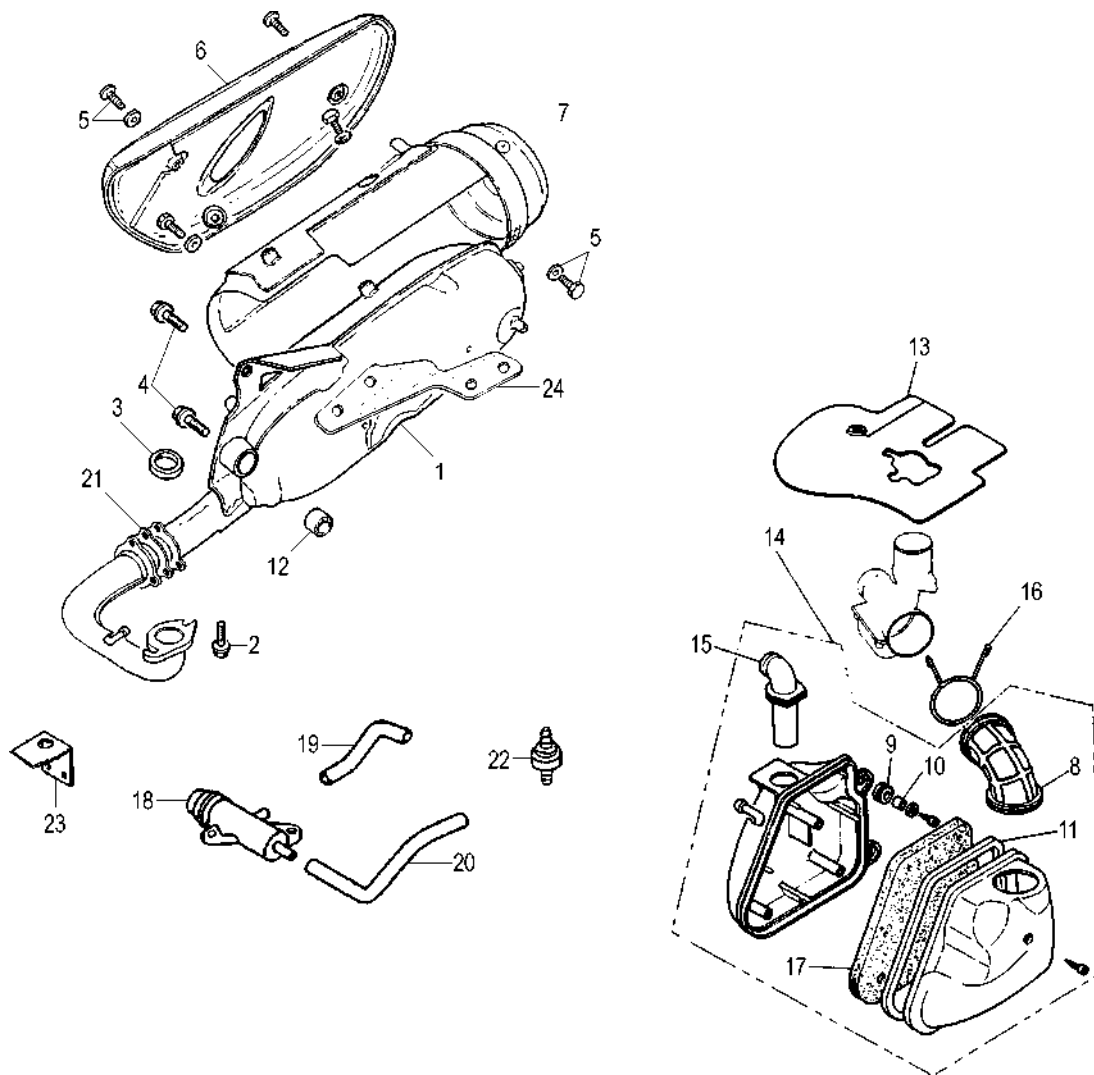
| Nr. | Codice | Q.tà | Descrizione |
|-----|------------|------|-------------------------------|
| 1 | 178.183.00 | 1 | Orologio time restyling |
| 2 | 072.074.03 | 1 | Gommino reset |
| 3 | 017.311.00 | 1 | Cablaggio cruscotto |
| 4 | 022.073.00 | 2 | Lampadina 12 V - 2 W |
| 5 | 072.059.00 | 1 | Guarnizioni orologi in coppia |
| 6 | 178.158.00 | 1 | Orologio kontakm |
| 7 | 178.184.00 | 1 | Orologio benzina |
| 8 | 178.133.00 | 1 | Trasmissione kontakm |
| 9 | 071.163.00 | 1 | Ghiera serratura avviamento |
| 10 | 090.031.00 | 1 | Serratura avviamento |
| 11 | 184.218.00 | 2 | Vite antimanomissione |
| 12 | 086.014.00 | 1 | Chiave vite antimanomissione |
| 13 | 017.408.00 | 1 | Cablaggio centrale |
| 14 | 093.032.00 | 1 | Sonda livello olio |
| 15 | 093.052.00 | 1 | Sonda livello benzina |
| 16 | 025.014.00 | 1 | Resistenza |
| 17 | 025.015.00 | 1 | Relais |
| 18 | 026.026.00 | 1 | Regolatore di tensione |
| 19 | 024.110.00 | 1 | Centralina elettronica CDI |
| 20 | 073.006.00 | 1 | Pipetta candela c/cappuccio |
| 21 | 025.016.00 | 1 | Portafusibile |
| 22 | 025.010.00 | 1 | Fusibile 10 A |
| 23 | 074.021.00 | 1 | Batteria 12 V - 5 Ah |
| 24 | 022.036.00 | 2 | Lampadina 12 V - 1,2 W |
| 25 | 017.226.00 | 1 | Cablaggio batteria |

| Nr. | Code | Q.ty | Description |
|-----|------------|------|-----------------------------|
| 1 | 178.183.00 | 1 | Restyling clock case |
| 2 | 072.074.03 | 1 | Clock reset buttons |
| 3 | 017.311.00 | 1 | Dashboard wiring |
| 4 | 022.073.00 | 2 | 12 V - 2 W bulb |
| 5 | 072.059.00 | 1 | Gasket set |
| 6 | 178.158.00 | 1 | Speedometer |
| 7 | 178.184.00 | 1 | Fuel gauge |
| 8 | 178.133.00 | 1 | Speedo cable |
| 9 | 071.163.00 | 1 | Ignition lock rim |
| 10 | 090.031.00 | 1 | Ignition barrel |
| 11 | 184.218.00 | 2 | Antitampering screw |
| 12 | 086.014.00 | 1 | Antitampering screw spanner |
| 13 | 017.408.00 | 1 | Main wiring harness |
| 14 | 093.032.00 | 1 | Oil level gauge |
| 15 | 093.052.00 | 1 | Fuel level gauge |
| 16 | 025.014.00 | 1 | Resistor |
| 17 | 025.015.00 | 1 | Relay |
| 18 | 026.026.00 | 1 | Regulator |
| 19 | 024.110.00 | 1 | CDI |
| 20 | 073.006.00 | 1 | Spark plug cap |
| 21 | 025.016.00 | 1 | Fuse holder |
| 22 | 025.010.00 | 1 | 10 A fuse |
| 23 | 074.021.00 | 1 | 12 V - 5 Ah battery |
| 24 | 022.036.00 | 2 | 12 V - 1,2 W bulb |
| 25 | 017.226.00 | 1 | Battery loom |

Impianto elettrico
Electrical system


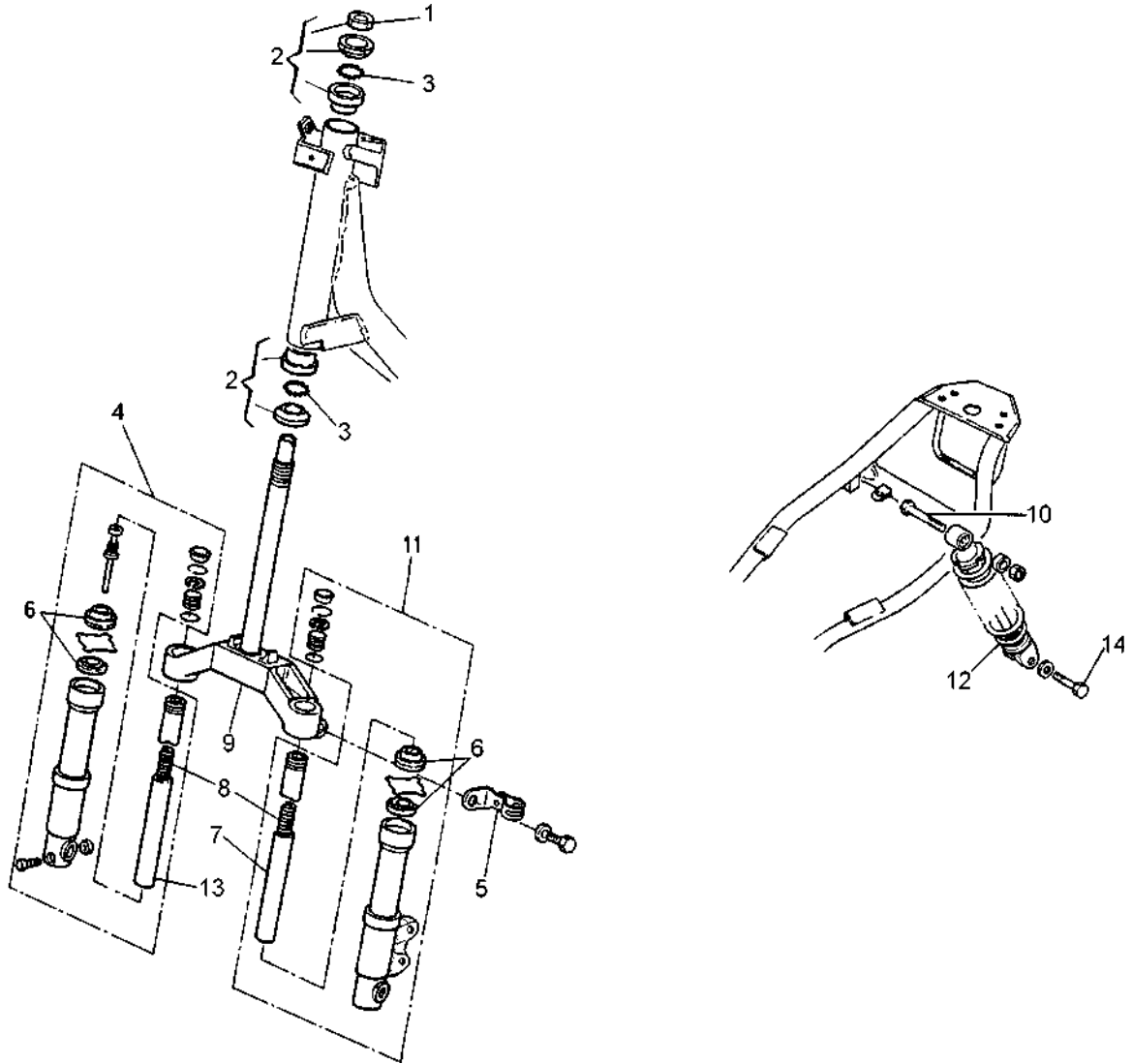
| Nr. | Codice | Q.tà | Descrizione |
|-----|------------|------|------------------------------|
| 26 | 018.054.00 | 1 | Avvisatore acustico |
| 27 | 025.023.00 | 1 | Intermittenza |
| 28 | 178.083.00 | 1 | Orologio digitale |
| 29 | 184.009.00 | 4 | Vite fissaggio sonda benzina |
| 30 | 024.111.00 | 1 | Choke controller |
| 31 | 150.148.14 | 1 | Boccola distanziale |
| 32 | 071.233.03 | 1 | Protezione commutatore |

| Nr. | Code | Q.ty | Description |
|-----|------------|------|-------------------|
| 26 | 018.054.00 | 1 | Horn |
| 27 | 025.023.00 | 1 | Flasher unit |
| 28 | 178.083.00 | 1 | Digital clock |
| 29 | 184.009.00 | 4 | Fixing screw |
| 30 | 024.111.00 | 1 | Choke controller |
| 31 | 150.148.14 | 1 | Bush |
| 32 | 071.233.03 | 1 | Switch protection |

Gruppo scarico & aspirazione
Exhaust assembly


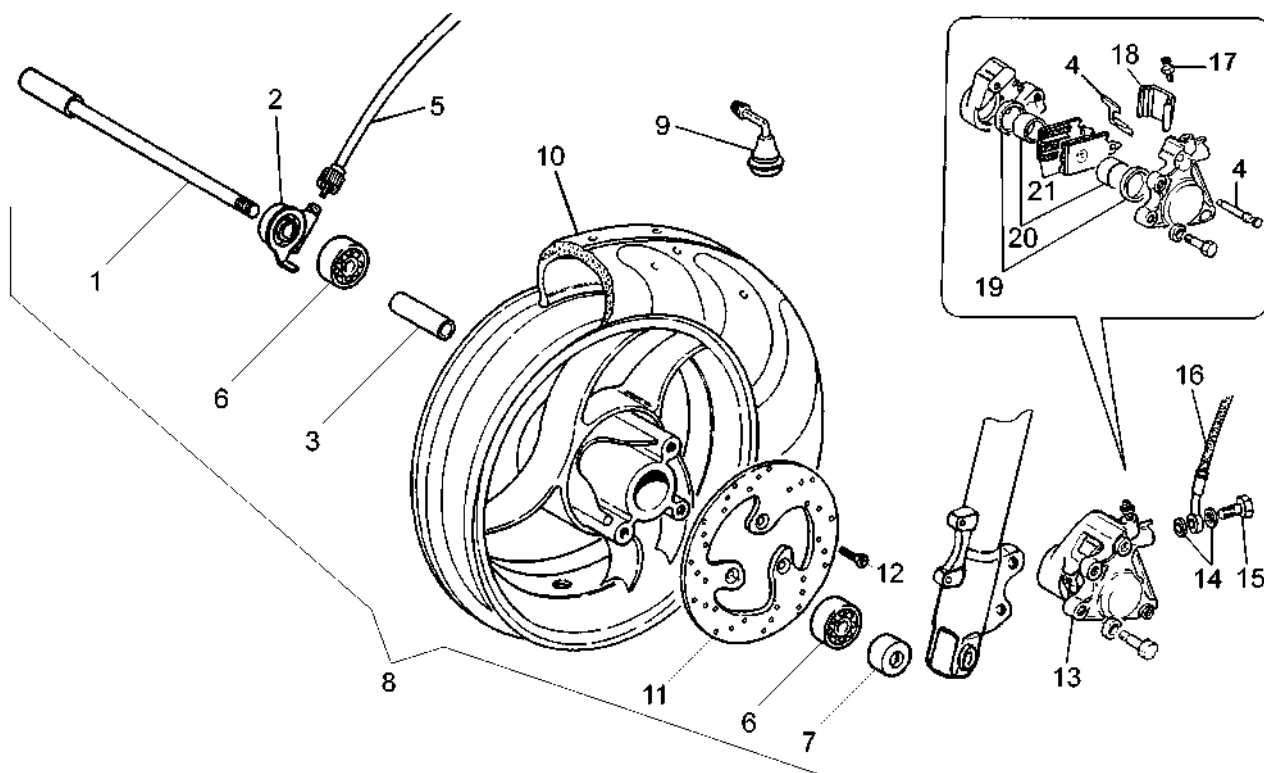
| Nr. | Codice | Q.tà | Descrizione |
|-----|------------|------|-------------------------------|
| 1 | 165.195.99 | 1 | Marmitta catalitica completa |
| 2 | 184.006.00 | 2 | Vite fissaggio marmitta |
| 3 | 072.053.00 | 1 | Guarnizione scarico |
| 4 | 184.038.13 | 2 | Viti fissaggio marmitta |
| 5 | 184.133.00 | 1 | Kit viti griglia - calotta |
| 6 | 071.342.00 | 1 | Griglia esterna di protezione |
| 7 | 071.343.00 | 1 | Calotta di protezione |
| 8 | 076.013.00 | 1 | Manicotto grande |
| 9 | 080.002.00 | 2 | Gommino |
| 10 | 150.043.00 | 2 | Distanziale |
| 11 | 072.056.00 | 1 | Guarnizione cassetta |
| 12 | 075.024.00 | 1 | Silentblock marmitta |
| 13 | 057.033.00 | 1 | Bancalina carburatore |
| 14 | 066.058.03 | 1 | Cassetta aspirazione completa |
| 15 | 076.012.00 | 1 | Manicotto piccolo |
| 16 | 147.082.13 | 1 | Molla manicotto aspirazione |
| 17 | 066.045.00 | 1 | Filtro aria |
| 18 | 094.023.00 | 1 | Valvola aria AIS |
| 19 | 077.048.00 | 1 | Tubo valvola - marmitta |
| 20 | 180.051.02 | 1 | Tubo valvola - filtro |
| 21 | 072.158.00 | 1 | Guarnizione raccordo scarico |
| 22 | 094.026.00 | 1 | Filtro |
| 23 | 191.062.13 | 1 | Piastra fissaggio valvola |
| 24 | 191.030.99 | 1 | Attacco parafango |

| Nr. | Code | Q.ty | Description |
|-----|------------|------|--------------------------|
| 1 | 165.195.99 | 1 | Kat-exhaust assy |
| 2 | 184.006.00 | 2 | Exhaust fixing screw |
| 3 | 072.053.00 | 1 | Exhaust gasket |
| 4 | 184.038.13 | 2 | Exhaust fixing screw |
| 5 | 184.133.00 | 1 | Screws set |
| 6 | 071.342.00 | 1 | Heat shield |
| 7 | 071.343.00 | 1 | Heat cover |
| 8 | 076.013.00 | 1 | Air box/carb. sleeve |
| 9 | 080.002.00 | 2 | Grommet |
| 10 | 150.043.00 | 2 | Spacer |
| 11 | 072.056.00 | 1 | Air box seal |
| 12 | 075.024.00 | 1 | Exhaust silentblock |
| 13 | 057.033.00 | 1 | Carburettor cover |
| 14 | 066.058.03 | 1 | Air box complete |
| 15 | 076.012.00 | 1 | Airbox intake sleeve |
| 16 | 147.082.13 | 1 | Air box hose spring clip |
| 17 | 066.045.00 | 1 | Air filter |
| 18 | 094.023.00 | 1 | One-way air valve AIS |
| 19 | 077.048.00 | 1 | Hose (valve - exhaust) |
| 20 | 180.051.02 | 1 | Hose (valve - filter) |
| 21 | 072.158.00 | 1 | Gasket |
| 22 | 094.026.00 | 1 | Filter |
| 23 | 191.062.13 | 1 | AIS valve fixing plate |
| 24 | 191.030.99 | 1 | Mudguard bracket |

Sospensione anteriore & posteriore
Front & rear suspension


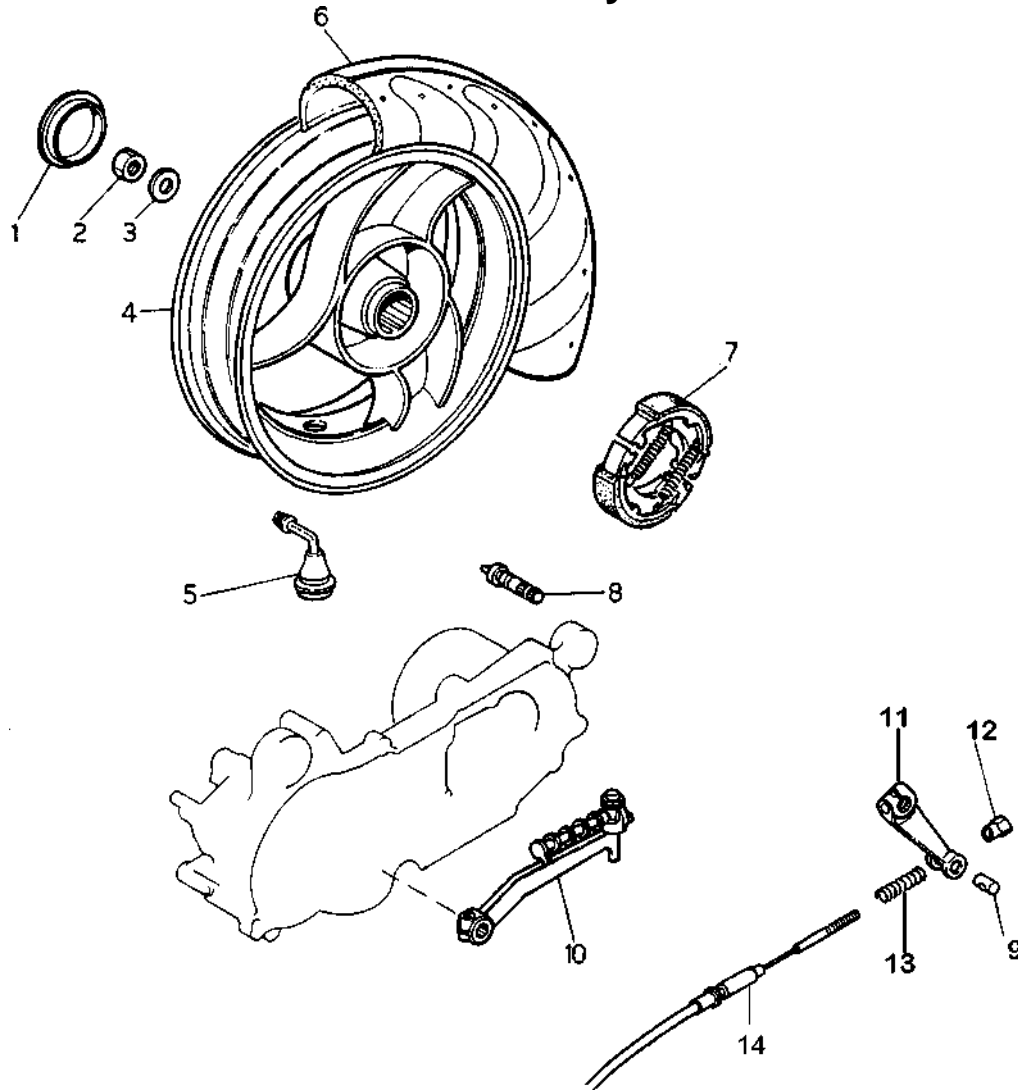
| Nr. | Codice | Q.tà | Descrizione |
|-----|------------|------|--------------------------------------|
| 1 | 185.009.13 | 1 | Dado serie sterzo |
| 2 | 104.017.00 | 1 | Serie sterzo |
| 3 | 120.261.00 | 48 | Sfere |
| 4 | 120.328.00 | 1 | Portaruota completo dx |
| 5 | 147.101.13 | 2 | Molla trasmissione contakm |
| 6 | 120.312.00 | 1 | Kit parapolvere - paraolio - gommini |
| 7 | 120.302.00 | 1 | Canna sx |
| 8 | 120.305.00 | 2 | Molla |
| 9 | 120.301.99 | 1 | Testa croce |
| 10 | 184.033.13 | 1 | Vite fissaggio ammortizzatore sup. |
| 11 | 120.359.00 | 1 | Portaruota completo sx |
| 12 | 010.043.01 | 1 | Ammortizzatore |
| 13 | 120.302.00 | 1 | Canna dx |
| 14 | 184.038.13 | 1 | Vite fissaggio ammortizzatore inf. |
| -- | 013.045.50 | 1 | Forcella completa |

| Nr. | Code | Q.ty | Description |
|-----|------------|------|--------------------------|
| 1 | 185.009.13 | 1 | Steering head nut |
| 2 | 104.017.00 | 1 | Steering head cap set |
| 3 | 120.261.00 | 48 | Steering ball cages |
| 4 | 120.328.00 | 1 | R/h fork leg assy |
| 5 | 147.101.13 | 2 | Fork leg brake hose slip |
| 6 | 120.312.00 | 1 | Fork bush/oil seal |
| 7 | 120.302.00 | 1 | L/h tube |
| 8 | 120.305.00 | 2 | R/h-L/h tube spring |
| 9 | 120.301.99 | 1 | Bottom yoke |
| 10 | 184.033.13 | 1 | Fixing screw |
| 11 | 120.359.00 | 1 | L/h fork leg assy |
| 12 | 010.043.01 | 1 | Shock-absorber |
| 13 | 120.302.00 | 1 | R/h tube |
| 14 | 184.038.13 | 1 | Fixing screw |
| -- | 013.045.50 | 1 | Front fork assy |

Ruota anteriore & impianto frenante
Front wheel & brake system


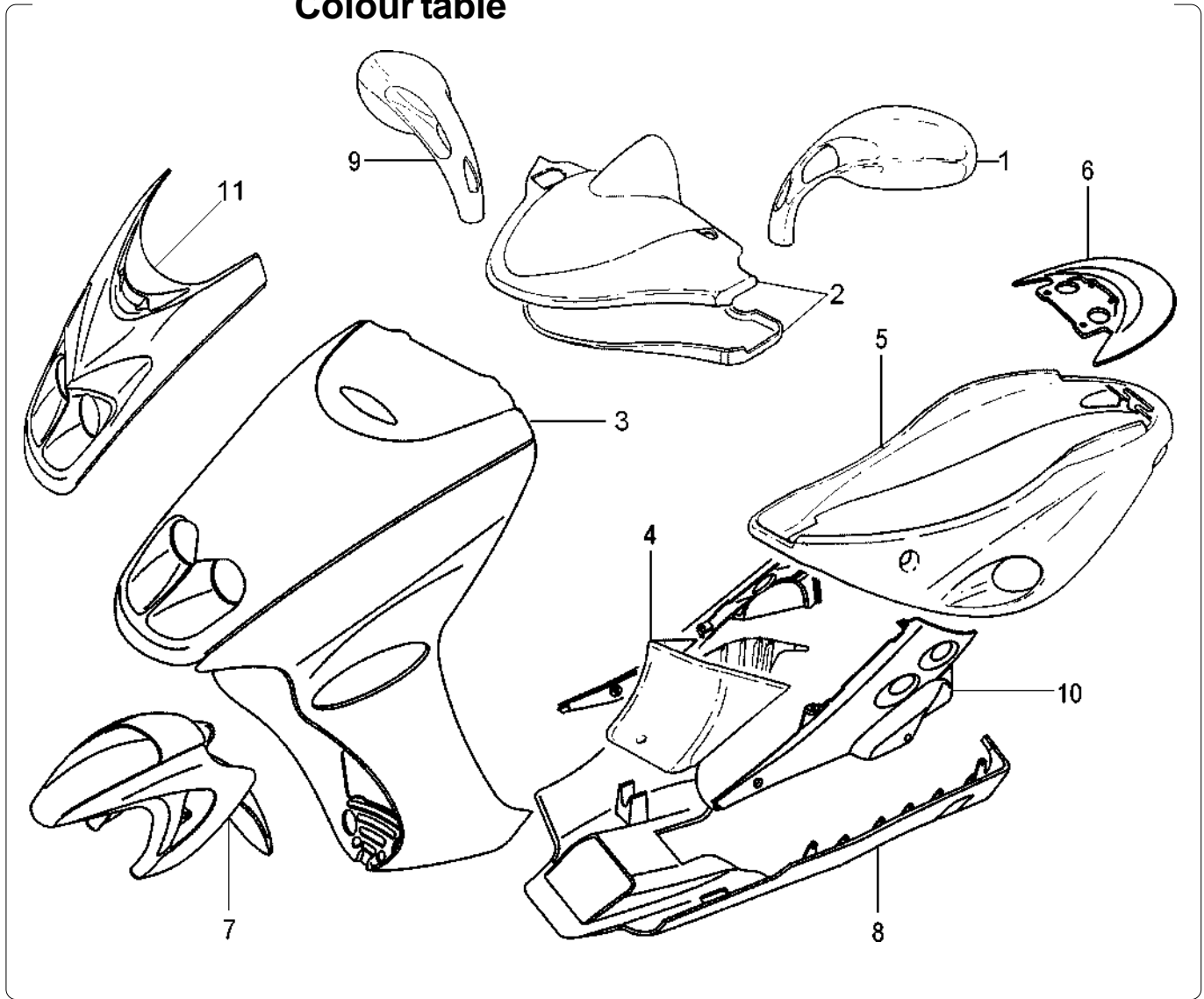
| Nr. | Codice | Q.tà | Descrizione |
|-----|------------|------|------------------------------|
| 1 | 119.443.00 | 1 | Perno ruota |
| 2 | 178.095.00 | 1 | Rinvio contakm |
| 3 | 119.456.00 | 1 | Distanziale interno |
| 4 | 119.457.00 | 1 | Kit perno + molla |
| 5 | 178.133.00 | 1 | Trasmissione contakm |
| 6 | 119.411.00 | 2 | Cuscinetto dx + sx |
| 7 | 119.432.00 | 1 | Distanziale |
| 8 | 109.053.03 | 1 | Ruota anteriore tubeless |
| 9 | 094.008.00 | 1 | Valvola tubeless |
| 10 | 050.032.00 | 1 | Copertura 120/70-12 tubeless |
| 11 | 119.465.00 | 1 | Disco freno |
| 12 | 184.287.00 | 3 | Vite fissaggio disco freno |
| 13 | 031.019.01 | 1 | Pinza freno idraulica |
| 14 | 190.006.00 | 2 | Rasamento |
| 15 | 150.024.14 | 1 | Vite trasmissione idraulica |
| 16 | 033.034.00 | 1 | Trasmissione idraulica |
| 17 | 119.436.00 | 1 | Vite spurgo |
| 18 | 119.434.00 | 1 | Cuffia pinza freno |
| 19 | 119.440.00 | 1 | Serie anelli di tenuta |
| 20 | 119.435.00 | 1 | Pistone pinza freno |
| 21 | 119.502.00 | 1 | Coppia pastiglie freno |

| Nr. | Code | Q.ty | Description |
|-----|------------|------|---------------------------|
| 1 | 119.443.00 | 1 | Front wheel spindle |
| 2 | 178.095.00 | 1 | Speedo drive |
| 3 | 119.456.00 | 1 | Spacer |
| 4 | 119.457.00 | 1 | Support pads set |
| 5 | 178.133.00 | 1 | Speedo cable |
| 6 | 119.411.00 | 2 | R/h-l/h bearing |
| 7 | 119.432.00 | 1 | Spacer |
| 8 | 109.053.03 | 1 | Tubeless front wheel |
| 9 | 094.008.00 | 1 | Wheel valve |
| 10 | 050.032.00 | 1 | Tubeless tyre 120/70-12 |
| 11 | 119.465.00 | 1 | Front brake disc |
| 12 | 184.287.00 | 3 | Brake disc mounting screw |
| 13 | 031.019.01 | 1 | Front brake caliper |
| 14 | 190.006.00 | 2 | Copper banjo washer |
| 15 | 150.024.14 | 1 | Banjo bolt |
| 16 | 033.034.00 | 1 | Front brake hose |
| 17 | 119.436.00 | 1 | Screw |
| 18 | 119.434.00 | 1 | Brake pad cover |
| 19 | 119.440.00 | 1 | Seal ring set |
| 20 | 119.435.00 | 1 | Front brake piston set |
| 21 | 119.502.00 | 1 | Brake pads |

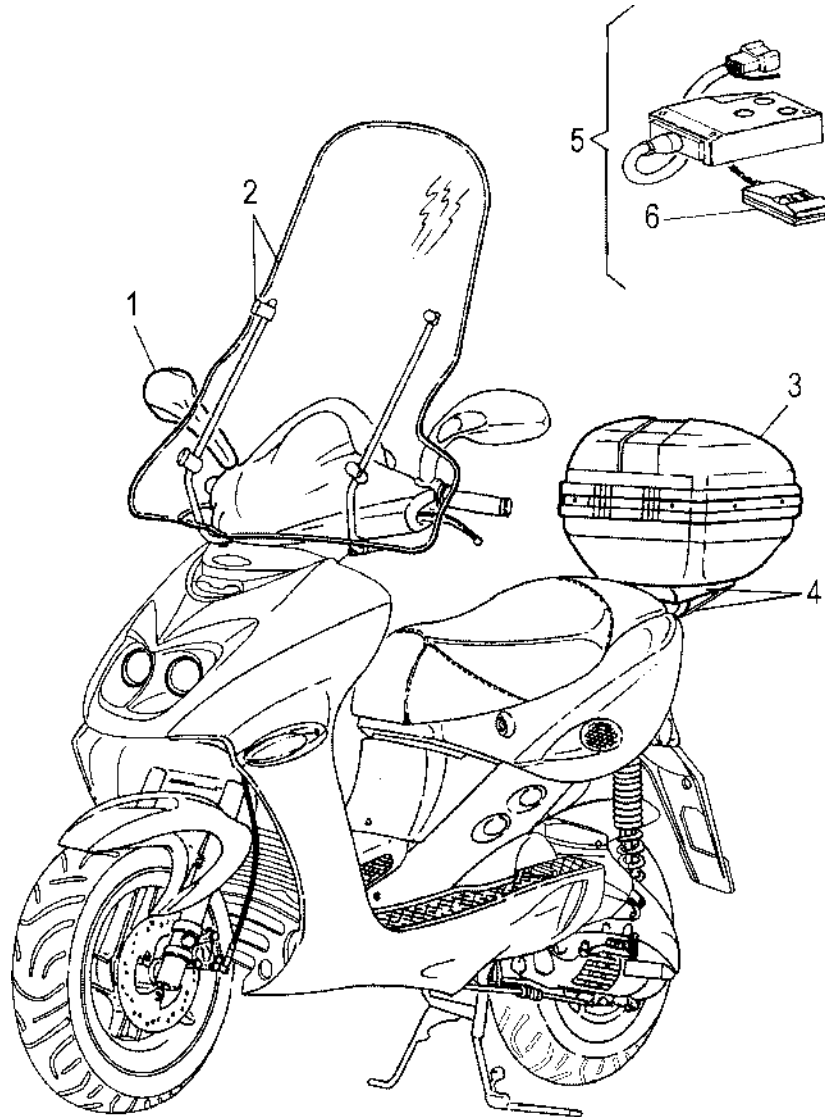


| Nr. | Codice | Q.tà | Descrizione |
|-----|------------|------|-------------------------------|
| 1 | 071.198.03 | 1 | Tappo ruota |
| 2 | 185.010.00 | 1 | Dado ruota posteriore |
| 3 | 119.224.00 | 1 | Rondella |
| 4 | 110.039.03 | 1 | Ruota posteriore tubeless |
| 5 | 094.008.00 | 1 | Valvola tubeless |
| 6 | 050.033.00 | 1 | Copertura 130/70-12 tubeless |
| 7 | 119.403.00 | 1 | Anello ceppi |
| 8 | 119.416.00 | 1 | Ogiva |
| 9 | 119.354.13 | 1 | Barilotto |
| 10 | 081.009.03 | 1 | Leva messa in moto |
| 11 | 119.415.00 | 1 | Leva freno |
| 12 | 150.175.13 | 1 | Vite di regolazione |
| 13 | 147.086.13 | 1 | Molla freno |
| 14 | 048.031.03 | 1 | Trasmissione freno posteriore |

| Nr. | Code | Q.ty | Description |
|-----|------------|------|-------------------------|
| 1 | 071.198.03 | 1 | Hub cap |
| 2 | 185.010.00 | 1 | Rear wheel nut |
| 3 | 119.224.00 | 1 | Washer |
| 4 | 110.039.03 | 1 | Tubeless rear wheel |
| 5 | 094.008.00 | 1 | Wheel valve |
| 6 | 050.033.00 | 1 | Tubeless tyre 130/70-12 |
| 7 | 119.403.00 | 1 | Rear brake shoes |
| 8 | 119.416.00 | 1 | Cam |
| 9 | 119.354.13 | 1 | Rear brake cable nipple |
| 10 | 081.009.03 | 1 | Kick starter lever |
| 11 | 119.415.00 | 1 | Brake lever |
| 12 | 150.175.13 | 1 | Adjustment screw |
| 13 | 147.086.13 | 1 | Return spring |
| 14 | 048.031.03 | 1 | Rear brake cable |

Colori moto
Colour table

TABELLA COLORI - COLOUR CODES
Colori - Colours

| N° Nr. | Codice Code | 61 Blu Race Race Blue | 65 Red Race Race Red | | | | |
|-----------|----------------|-----------------------------|----------------------------|--|--|--|--|
| 1 | 088.018. | 84 | 71 | | | | |
| 2 | 071.263. | 61 | 65 | | | | |
| 3 | 066.125. | 61 | 65 | | | | |
| 4 | 071.248. | 03 | 03 | | | | |
| 5 | 063.126. | 61 | 65 | | | | |
| 6 | 063.127. | 84 | 71 | | | | |
| 7 | 055.050. | 61 | 65 | | | | |
| 8 | 063.124. | 30 | 65 | | | | |
| 9 | 088.019. | 84 | 71 | | | | |
| 10 | 063.125. | 87 | 87 | | | | |
| 11 | 066.131. | 84 | 71 | | | | |
| -- | 181.402. | 61 | 65 | | | | |

**Accessori
Accessories**


| Nr. | Codice | Q.tà | Descrizione | Nr. | Code | Q.ty | Description |
|-----|-------------|------|---|-----|-------------|------|----------------------------------|
| 1 | 088.019. -- | 1 | Specchio dx * (di serie mercato estero) | 1 | 088.019. -- | 1 | R/h mirror * (originally fitted) |
| 2 | 063.132.00 | 1 | Parabrezza completo | 2 | 063.132.00 | 1 | Windshield |
| 3 | 065.080. -- | 1 | Baulone porta casco | 3 | 065.080. -- | 1 | Top case |
| 4 | 173.050.00 | 1 | Portapacco completo | 4 | 173.050.00 | 1 | Rear carrier |
| 5 | 018.078.00 | 1 | Antifurto elettronico | 5 | 018.078.00 | 1 | Alarm complete |
| 6 | 018.079.00 | 1 | Radiocomando | 6 | 018.079.00 | 1 | Remote control |
| -- | 065.027.00 | 1 | Coprimoto scooter standard | -- | 065.027.00 | 1 | Scooter canvas cover |
| -- | 065.077.00 | 1 | Coprimoto scooter con accessori | -- | 065.077.00 | 1 | Accessoried scooter canvas cover |

Tabella colori baulone - Top case colour codes

| N° Nr. | Codice Code | Nero Black | Blu Race Race Blue | Red Race Race Red |
|-----------|----------------|---------------|-----------------------|----------------------|
| 3 | 065.080. | 03 | 84 | -- |

* Vedi tav. N° OO Colori

* Refer to N° OO colour table

| Nr. | Codice | Q.tà | Descrizione |
|------|------------|------|---|
| 15 | 715.112.00 | 1 | Carburatore Gurtner PY 12 / R 446 |
| 19 | 771.125.00 | 1 | Cilindro completo di pistone |
| 48 | 024.044.00 | 1 | Motorino avviamento |
| 62 | 771.116.00 | 1 | Pistone completo Ø 40 |
| 77 | 777.014.00 | 1 | Testa |
| 80 | 780.003.00 | 1 | Ventola |
| 82 | 782.026.00 | 1 | Volano magnete |
| 111 | 711.008.00 | 1 | Candela |
| 172 | 717.010.00 | 1 | Cinghia di trasmissione |
| 211 | 721.067.00 | 1 | Convogliatore ventola |
| 212 | 721.055.00 | 1 | Coperchio messa in moto completo |
| 213 | 721.056.00 | 1 | Coperchio trasmissione |
| 215 | 721.054.00 | 1 | Cuffia convogliatore cilindro |
| 381 | 771.160.00 | 1 | Imbiellaggio |
| 382 | 771.118.00 | 1 | Biella completa |
| 601 | 760.074.00 | 1 | Puleggia anteriore fissa |
| 604 | 760.075.00 | 1 | Puleggia anteriore mobile c/boccola |
| 606 | 760.045.00 | 1 | Collettore aspirazione |
| 641 | 764.011.00 | 1 | Pompa olio completa |
| 681 | 771.120.00 | 1 | Serie segmenti Ø 40 |
| 701 | 770.020.00 | 1 | Coppia carter |
| 912 | 701.044.00 | 1 | Albero messa in moto |
| 914 | 701.047.00 | 1 | Albero uscita moto completo Z = 42 |
| 916 | 701.046.00 | 1 | Albero trasmissione Z = 13 |
| 2449 | 724.051.00 | 2 | Gommino supporto convogliatore cilindro |
| 2479 | 724.075.00 | 1 | Gommino silentblock carter |
| 2480 | 057.033.00 | 1 | Protezione carburatore |
| 2485 | 724.052.00 | 1 | Raccordo plastica sfiato olio |
| 2492 | 724.048.00 | 1 | Tappo alimentazione olio |
| 2493 | 724.049.00 | 3 | Tassello di traino |
| 2601 | 726.027.00 | 1 | Campana frizione completa |
| 2626 | 726.028.00 | 1 | Puleggia secondaria fissa completa |
| 2627 | 726.030.00 | 1 | Puleggia secondaria mobile completa |
| 2642 | 726.020.00 | 1 | Cappellotto porta tasselli |
| 2664 | 726.021.00 | 1 | Piastrina ritegno paraolio |
| 2665 | 726.022.00 | 1 | Piastrina ingranaggio doppio intermedio E / S |
| 2667 | 726.023.00 | 1 | Piastrina traino puleggia anteriore fissa |
| 2688 | 726.026.00 | 1 | Scodellino dentato messa in moto |
| 2689 | 726.029.00 | 1 | Scodellino portamolla variatore |
| 3520 | 735.028.00 | 1 | Frizione centrifuga completa |
| 4040 | 740.129.00 | 1 | Ingranaggio doppio intermedio Z = 13 / 52 |
| 4041 | 740.121.00 | 1 | Ingranaggio doppio intermedio E / S c/boccola |
| 4043 | 740.122.00 | 1 | Corona avviamento elettrico Z = 71 |

| Nr. | Code | Q.ty | Description |
|------|------------|------|-----------------------------------|
| 15 | 715.112.00 | 1 | Carburettor Gurtner PY 12 / R 446 |
| 19 | 771.125.00 | 1 | Cylinder assy |
| 48 | 024.044.00 | 1 | Starter motor |
| 62 | 771.116.00 | 1 | Piston assy Ø 40 |
| 77 | 777.014.00 | 1 | Cylinder head |
| 80 | 780.003.00 | 1 | Fan |
| 82 | 782.026.00 | 1 | Magneto flywheel assy |
| 111 | 711.008.00 | 1 | Spark plug |
| 172 | 717.010.00 | 1 | V-belt |
| 211 | 721.067.00 | 1 | Air shroud (outer) |
| 212 | 721.055.00 | 1 | Case cover |
| 213 | 721.056.00 | 1 | Gear cover |
| 215 | 721.054.00 | 1 | Air shroud (inner) |
| 381 | 771.160.00 | 1 | Crankshaft |
| 382 | 771.118.00 | 1 | Connecting rod |
| 601 | 760.074.00 | 1 | Primary fixed pulley |
| 604 | 760.075.00 | 1 | Primary pulley |
| 606 | 760.045.00 | 1 | Intake manifold |
| 641 | 764.011.00 | 1 | Oil pump assy |
| 681 | 771.120.00 | 1 | Piston ring set Ø 40 |
| 701 | 770.020.00 | 1 | Crankcase assy |
| 912 | 701.044.00 | 1 | Kick start shaft |
| 914 | 701.047.00 | 1 | Drive shaft assy Z = 42 |
| 916 | 701.046.00 | 1 | Gear shaft Z = 13 |
| 2449 | 724.051.00 | 2 | Cylinder cover grommet |
| 2479 | 724.075.00 | 1 | Rubber |
| 2480 | 057.033.00 | 1 | Carburettor seal |
| 2485 | 724.052.00 | 1 | Oil breather pipe |
| 2492 | 724.048.00 | 1 | Oil plug |
| 2493 | 724.049.00 | 3 | Dowels |
| 2601 | 726.027.00 | 1 | Clutch housing |
| 2626 | 726.028.00 | 1 | Secondary fixed pulley |
| 2627 | 726.030.00 | 1 | Secondary pulley |
| 2642 | 726.020.00 | 1 | Dowelholder cap |
| 2664 | 726.021.00 | 1 | Plate |
| 2665 | 726.022.00 | 1 | Idle gear plate |
| 2667 | 726.023.00 | 1 | Drive pulley lock washer |
| 2688 | 726.026.00 | 1 | Drive plate |
| 2689 | 726.029.00 | 1 | Spring holder |
| 3520 | 735.028.00 | 1 | Clutch assy |
| 4040 | 740.129.00 | 1 | Idle gear assy Z = 13 / 52 |
| 4041 | 740.121.00 | 1 | Idle gear assy E / S |
| 4043 | 740.122.00 | 1 | Kick start gear Z = 71 |

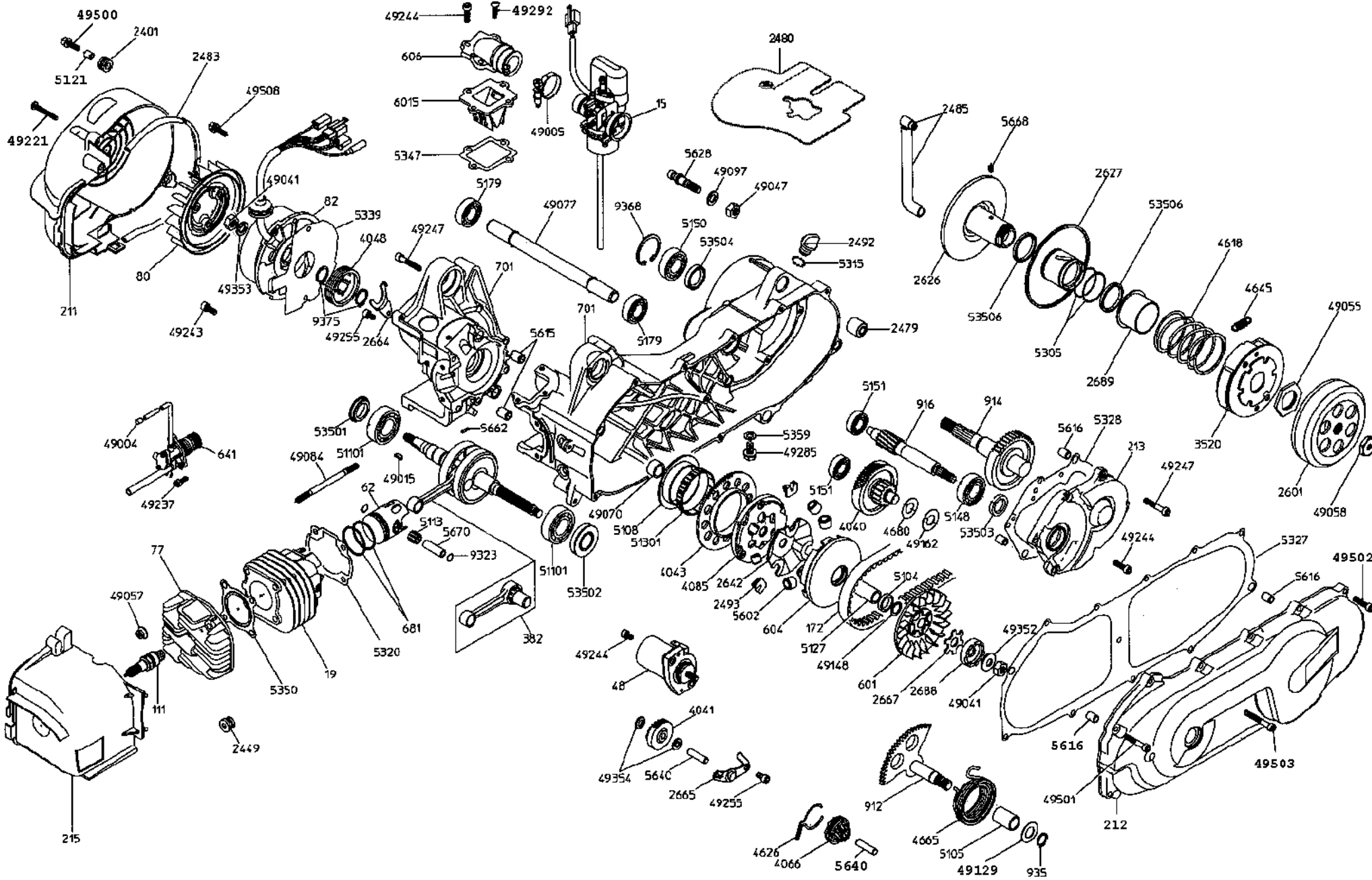
| Nr. | Codice | Q.tà | Descrizione | Nr. | Code | Q.ty | Description |
|-------|------------|------|---|-------|------------|------|--------------------------------------|
| 4048 | 740.123.00 | 1 | Ingranaggio conduttore pompa olio | 4048 | 740.123.00 | 1 | Pump drive gear |
| 4066 | 740.124.00 | 1 | Ingranaggio scorrevole messa in moto | 4066 | 740.124.00 | 1 | Kick start pinion gear |
| 4085 | 740.125.00 | 1 | Ruota libera completa | 4085 | 740.125.00 | 1 | Free wheel assy |
| 4618 | 746.048.00 | 1 | Molla puleggia secondaria mobile | 4618 | 746.048.00 | 1 | Secondary pulley spring |
| 4626 | 746.044.00 | 1 | Molla scorrevole messa in moto | 4626 | 746.044.00 | 1 | Kick start thrust spring |
| 4645 | 746.047.00 | 3 | Molla richiamo ceppi frizione | 4645 | 746.047.00 | 3 | Clutch pads spring |
| 4665 | 746.042.00 | 1 | Molla ritorno leva messa in moto | 4665 | 746.042.00 | 1 | Kick start return spring |
| 4680 | 746.045.00 | 1 | Molla a disco ingranaggio doppio intermedio | 4680 | 746.045.00 | 1 | Idle gear spring |
| 5104 | 751.083.00 | 1 | Distanziale Ø 18 x 23 x 6 | 5104 | 751.083.00 | 1 | Spacer Ø 18 x 23 x 6 |
| 5105 | 751.041.00 | 1 | Boccola albero messa in moto Ø 15 x 20 x 30 | 5105 | 751.041.00 | 1 | Kick start shaft bush Ø 15 x 20 x 30 |
| 5108 | 751.042.00 | 1 | Boccola flangiata corona E / S | 5108 | 751.042.00 | 1 | Bush |
| 5113 | 751.043.00 | 1 | Gabbia KBK Ø 10 x 14 x 12,5 spinotto | 5113 | 751.043.00 | 1 | Cage KBK Ø 10 x 14 x 12,5 |
| 5127 | 751.045.00 | 1 | Boccola puleggia anteriore mobile | 5127 | 751.045.00 | 1 | Primary pulley bush |
| 5148 | 104.028.00 | 1 | Cuscinetto Ø 17 x 40 x 12 (6203TN9/C3) | 5148 | 104.028.00 | 1 | Bearing Ø 17 x 40 x 12 (6203TN9/C3) |
| 5150 | 751.046.00 | 1 | Cuscinetto Ø 17 x 40 x 12 (6203 - 2RS1) | 5150 | 751.046.00 | 1 | Bearing Ø 17 x 40 x 12 (6203 - 2RS1) |
| 5151 | 751.047.00 | 2 | Cuscinetto Ø 10 x 30 x 9 (6200 - C3) | 5151 | 751.047.00 | 2 | Bearing Ø 10 x 30 x 9 (6200 - C3) |
| 5179 | 751.072.00 | 2 | Cuscinetto Ø 17 x 35 x 10 (6003 - 2RS) | 5179 | 751.072.00 | 2 | Bearing Ø 17 x 35 x 10 (6003 - 2RS) |
| 5305 | 753.135.00 | 2 | Anello di tenuta OR Ø 37,85 x 1,7 | 5305 | 753.135.00 | 2 | Oil seal OR Ø 37,85 x 1,7 |
| 5315 | 753.105.00 | 1 | Anello di tenuta OR Ø 13,3 x 2,4 | 5315 | 753.105.00 | 1 | Oil seal OR Ø 13,3 x 2,4 |
| 5320 | 753.129.00 | 1 | Guarnizione base cilindro | 5320 | 753.129.00 | 1 | Cylinder base gasket |
| 5327 | 753.120.00 | 1 | Guarnizione coperchio messa in moto | 5327 | 753.120.00 | 1 | Sidecase gasket |
| 5328 | 753.121.00 | 1 | Guarnizione coperchio trasmissione | 5328 | 753.121.00 | 1 | Gear box gasket |
| 5339 | 753.109.00 | 1 | Guarnizione statore volano | 5339 | 753.109.00 | 1 | Stator gasket |
| 5347 | 753.110.00 | 1 | Guarnizione valvola lamelle | 5347 | 753.110.00 | 1 | Reed valve gasket |
| 5350 | 753.111.00 | 1 | Guarnizione testa | 5350 | 753.111.00 | 1 | Head gasket |
| 5359 | 753.112.00 | 1 | Guarnizione vite scarico olio | 5359 | 753.112.00 | 1 | Oil drain gasket |
| 5602 | 756.083.00 | 6 | Massa centrifuga completa Ø 8,8 | 5602 | 756.083.00 | 6 | Centrifugal roller Ø 8,8 |
| 5615 | 756.029.00 | 2 | Grano riferimento carter | 5615 | 756.029.00 | 2 | Crankcase locating dowel |
| 5616 | 756.030.00 | 4 | Grano riferimento coperchi | 5616 | 756.030.00 | 4 | Gearbox locating dowel |
| 5628 | 756.074.00 | 1 | Perno ceppi freno | 5628 | 756.074.00 | 1 | Pin |
| 5640 | 756.070.00 | 1 | Perno Ø 8 x 32 | 5640 | 756.070.00 | 1 | Pin Ø 8 x 32 |
| 5662 | 756.071.00 | 1 | Rullo Ø 3 x 11,8 | 5662 | 756.071.00 | 1 | Pin Ø 3 x 11,8 |
| 5668 | 756.082.00 | 2 | Rullino guida variatore | 5668 | 756.082.00 | 2 | Pin guide |
| 5670 | 756.073.00 | 1 | Spinotto Ø10 x 33 | 5670 | 756.073.00 | 1 | Pin Ø 10 x 33 |
| 6015 | 760.046.00 | 1 | Valvola lamelle completa | 6015 | 760.046.00 | 1 | Reed valve assy |
| 9323 | 703.028.00 | 2 | Anello fermo spinotto Ø11,8 | 9323 | 703.028.00 | 2 | Circlip Ø 11,8 |
| 9353 | 703.005.00 | 1 | Anello seeger albero Ø 15 | 9353 | 703.005.00 | 1 | Kick start circlip Ø 15 |
| 9368 | 703.025.00 | 1 | Anello seeger foro Ø 40 spessore 1,75 | 9368 | 703.025.00 | 1 | Wheel bearing circlip Ø 40 |
| 9375 | 703.026.00 | 2 | Anello seeger albero Ø 19 | 9375 | 703.026.00 | 2 | Oil pump circlip Ø 19 |
| 49004 | 749.148.00 | 1 | Fascetta tubo pompa olio | 49004 | 749.148.00 | 1 | Clamp |
| 49005 | 749.270.00 | 1 | Fascetta antimanomissione flangia aspirazione | 49005 | 749.270.00 | 1 | Antitampering clamp |
| 49015 | 749.107.00 | 1 | Chiavetta volano magnete | 49015 | 749.107.00 | 1 | Woodruff key |
| 49040 | 749.210.00 | 1 | Dado M10 x 1,25 | 49040 | 749.210.00 | 1 | Nut M10 x 1,25 |

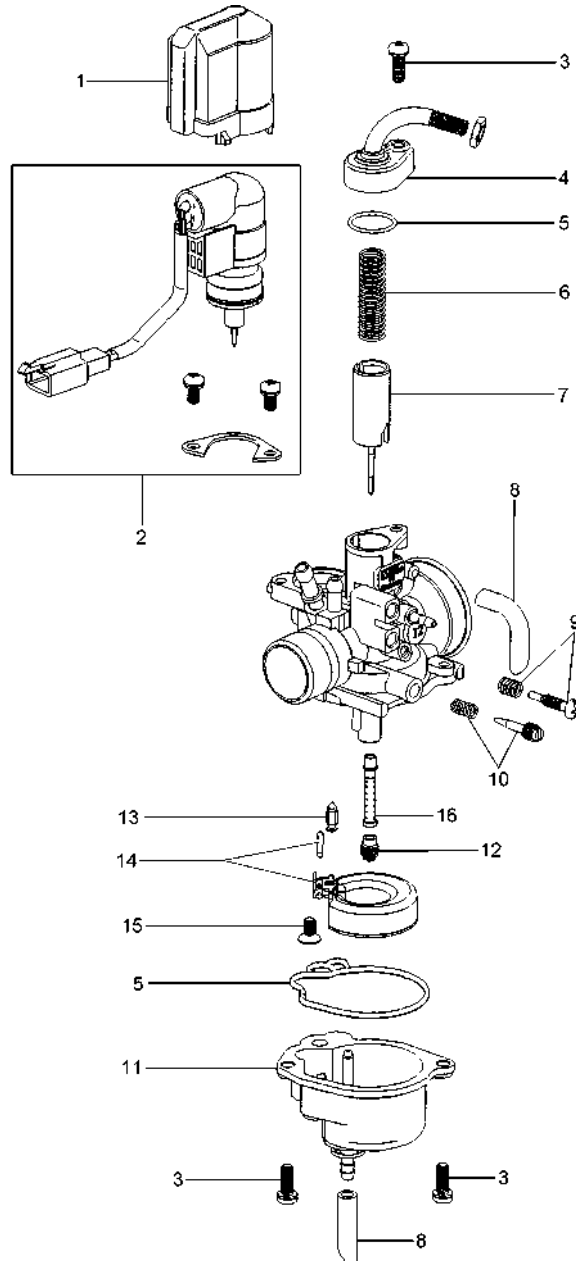
Motore MY 50 - MY 50 engine parts

| Nr. | Codice | Q.tà | Descrizione | Nr. | Code | Q.ty | Description |
|-------|------------|------|---|-------|------------|------|---|
| 49041 | 749.181.00 | 1 | Dado M10 x 1,25 - H = 8 | 49041 | 749.181.00 | 1 | Nut M10 x 1,25 - H=8 |
| 49047 | 749.203.00 | 1 | Dado M10 x 1,25 - H = 7 - (CH = 25) | 49047 | 749.203.00 | 1 | Nut M10 x 1,25 - H = 7 - (CH = 25) |
| 49055 | 749.219.00 | 1 | Dado M28 x 1 - (CH = 42) - H = 4 | 49055 | 749.219.00 | 1 | Nut M28 x 1 - (CH = 42) - H = 4 |
| 49057 | 749.183.00 | 4 | Dado M7 x 1 fissaggio testa | 49057 | 749.183.00 | 4 | Nut M7 |
| 49058 | 749.184.00 | 1 | Dado M10 x 1 - H = 5,8 - (CH = 24) | 49058 | 749.184.00 | 1 | Nut M10 x 1 - H = 5,8 - (CH = 24) |
| 49070 | 749.186.00 | 1 | Distanziale cuscinetto paraolio frizione | 49070 | 749.186.00 | 1 | Spacer |
| 49077 | 749.187.00 | 1 | Distanziale attacco carter | 49077 | 749.187.00 | 1 | Spacer |
| 49084 | 749.188.00 | 4 | Prigioniero fissaggio testa M7 x 1 x 109 | 49084 | 749.188.00 | 4 | Cylinder head stud |
| 49097 | 749.205.00 | 1 | Rondella bisellata Ø 10 x 21 x 2 | 49097 | 749.205.00 | 1 | Washer Ø 10 x 21 x 2 |
| 49125 | 749.271.00 | 1 | Rondella acciaio blu Ø 13,2 x 20 x 1 | 49125 | 749.271.00 | 1 | Washer Ø 13,2 x 20 x 1 |
| 49129 | 749.189.00 | 1 | Rondella acciaio blu Ø 15,1 x 28 x 1 | 49129 | 749.189.00 | 1 | Washer Ø 15,1 x 28 x 1 |
| 49162 | 749.206.00 | 1 | Rondella acciaio blu Ø 14 x 29 x 1 | 49162 | 749.206.00 | 1 | Washer Ø 14 x 29 x 1 |
| 49221 | 749.190.00 | 1 | Vite autofilettante convogliatore ventola | 49221 | 749.190.00 | 1 | Screw |
| 49237 | 749.095.00 | 2 | Vite T.C.C.E. M5 x 14 | 49237 | 749.095.00 | 2 | Screw M5 x 14 |
| 49243 | 749.036.00 | 2 | Vite T.C.C.E. M6 x 16 | 49243 | 749.036.00 | 2 | Screw M6 x 16 |
| 49244 | 749.037.00 | 8 | Vite T.C.C.E. M6 x 20 | 49244 | 749.037.00 | 8 | Screw M6 x 20 |
| 49247 | 749.039.00 | 8 | Vite T.C.C.E. M6 x 35 | 49247 | 749.039.00 | 8 | Screw M6 x 35 |
| 49255 | 749.176.00 | 3 | Vite T.C.C.E. M6 x 12 | 49255 | 749.176.00 | 3 | Screw M6 x 12 |
| 49285 | 749.191.00 | 1 | Vite TE M8 x 1,25 x 15 scarico olio | 49285 | 749.191.00 | 1 | Oil drain plug M8 x 1,25 x 15 |
| 49292 | 184.218.00 | 2 | Vite antimanomissione M6 | 49292 | 184.218.00 | 2 | Antitampering screw |
| 49352 | 749.192.00 | 1 | Rondella conica scodellino messa in moto | 49352 | 749.192.00 | 1 | Washer |
| 49353 | 749.193.00 | 1 | Rondella Ø 10,5 x 18 x 2 | 49353 | 749.193.00 | 1 | Washer Ø 10,5 x 18 x 2 |
| 49354 | 749.194.00 | 2 | Rondella Ø 8 x 16 x 2 | 49354 | 749.194.00 | 2 | Washer Ø 8 x 16 x 2 |
| 49500 | 749.196.00 | 2 | Vite T.C.C.E. M6 x 20 (nera) | 49500 | 749.196.00 | 2 | Screw M6 x 20 (black) |
| 49501 | 749.197.00 | 9 | Vite T.C.C.E. M6 x 25 (nera) | 49501 | 749.197.00 | 9 | Screw M6 x 25 (black) |
| 49502 | 749.207.00 | 2 | Vite T.C.C.E. M6 x 35 (nera) | 49502 | 749.207.00 | 2 | Screw M6 x 35 (black) |
| 49503 | 749.208.00 | 1 | Vite T.C.C.E. M6 x 45 (nera) | 49503 | 749.208.00 | 1 | Screw M6 x 45 (black) |
| 49508 | 749.201.00 | 3 | Vite T.C.C.E. M6 x 16 | 49508 | 749.201.00 | 3 | Screw M6 x 16 |
| 51101 | 751.066.00 | 2 | Cuscinetto Ø 20 x 47 x 14 (6204 - TN9 - C4) | 51101 | 751.066.00 | 2 | Bearing Ø 20 x 47 x 14 (6204 - TN9 - C4) |
| 51301 | 751.053.00 | 1 | Gabbia Ø 57 x 61 x 10 (57RFN - 6110A) | 51301 | 751.053.00 | 1 | Roller bearing Ø 57 x 61 x 10 (57RFN - 6110A) |
| 53501 | 753.115.00 | 1 | Paraolio Ø 20 x 30/34 x 5/6,1 | 53501 | 753.115.00 | 1 | Oil seal Ø 20 x 30/34 x 5/6,1 |
| 53502 | 753.116.00 | 1 | Paraolio Ø 20 x 42/43 x 8/9 | 53502 | 753.116.00 | 1 | Oil seal Ø 20 x 42/43 x 8/9 |
| 53503 | 753.117.00 | 1 | Paraolio Ø 17 x 28 x 5,5 | 53503 | 753.117.00 | 1 | Oil seal Ø 17 x 28 x 5,5 |
| 53504 | 753.118.00 | 1 | Paraolio Ø 22 x 32 x 6 | 53504 | 753.118.00 | 1 | Oil seal Ø 22 x 32 x 6 |
| 53506 | 753.136.00 | 2 | Paraolio Ø 34 x 39 x 3 | 53506 | 753.136.00 | 2 | Oil seal Ø 34 x 39 x 3 |
| -- | 740.143.00 | 1 | Gruppo variatore con frizione | -- | 740.143.00 | 1 | Variable transmission clutch set |
| -- | 771.124.00 | 1 | Serie paraoli | -- | 771.124.00 | 1 | Oil seal set |
| -- | 799.079.00 | 1 | Serie guarnizioni | -- | 799.079.00 | 1 | Gasket set |
| -- | 771.121.00 | 1 | Pistone completo Ø 40,5 - 1° maggiorazione | -- | 771.121.00 | 1 | 1° oversized piston assy Ø 40,5 - |
| -- | 771.122.00 | 1 | Serie segmenti Ø 40,5 - 1° maggiorazione | -- | 771.122.00 | 1 | 1° oversized piston ring set Ø 40,5 - |
| -- | 142.130.03 | 1 | Motore completo EURO 2 (174.126) | -- | 142.130.03 | 1 | Engine assy EURO 2 (174.126) |

F 15 ARIA KAT EURO 2 Restyling 2004

Motore MY 50 - MY 50 engine



Carburatore
Carburettor


| Nr. | Codice | Q.tà | Descrizione |
|-----|------------|------|---|
| 01 | 623.101.00 | 1 | Cappuccio starter |
| 02 | 623.120.00 | 1 | Starter completo |
| 03 | 623.106.00 | 3 | Vite |
| 04 | 623.117.00 | 1 | Coperchio carburatore |
| 05 | 623.119.00 | 1 | Kit guarnizioni |
| 06 | 623.098.00 | 1 | Molla valvola gas |
| 07 | 623.230.00 | 1 | Valvola gas completa |
| 08 | 623.124.00 | 1 | Kit tubi sfiato - presa aria |
| 09 | 623.121.00 | 1 | Vite regolazione valvola gas |
| 10 | 623.122.00 | 1 | Vite regolazione minimo |
| 11 | 623.233.00 | 1 | Vaschetta completa |
| 12 | 623.229.00 | 1 | Getto max. Ø 62 |
| 13 | 623.114.00 | 1 | Valvola a spillo |
| 14 | 623.232.00 | 1 | Galleggiante completo |
| 15 | 623.107.00 | 1 | Vite fissaggio galleggiante |
| 16 | 623.113.00 | 1 | Polverizzatore |
| -- | 715.112.00 | 1 | Carburatore completo Gurtner PY 12 / R 446 |

| Nr. | Code | Q.tà | Description |
|-----|------------|------|---|
| 01 | 623.101.00 | 1 | Starter cap |
| 02 | 623.120.00 | 1 | Starter, complete |
| 03 | 623.106.00 | 3 | Screw |
| 04 | 623.117.00 | 1 | Carburettor cover |
| 05 | 623.119.00 | 1 | Gasket set |
| 06 | 623.098.00 | 1 | Throttle valve spring |
| 07 | 623.230.00 | 1 | Throttle valve, complete |
| 08 | 623.124.00 | 1 | Breather pipe/air intake kit |
| 09 | 623.121.00 | 1 | Throttle valve adj. screw |
| 10 | 623.122.00 | 1 | Idling mix adj. screw |
| 11 | 623.233.00 | 1 | Float chamber |
| 12 | 623.229.00 | 1 | Max jet Ø 62 |
| 13 | 623.114.00 | 1 | Needle valve |
| 14 | 623.232.00 | 1 | Float assy |
| 15 | 623.107.00 | 1 | Float clamp screw |
| 16 | 623.113.00 | 1 | Spray nozzle |
| -- | 715.112.00 | 1 | Carburettor assy Gurtner PY 12 / R 446 |