



EDOARDO BOGGIO - AC RACING TEAM

FIGURATO PASTIGLIE

BRAKE PADS DRAWINGS AND APPLICATIONS
DESSINS PLAQUETTES AVEC APPLICATIONS
DISEÑOS PASTILLAS CON RELACIÓN
ZEICHNUNGEN VON BREMSBELÄGE MIT VERWENDUNGSLISTE

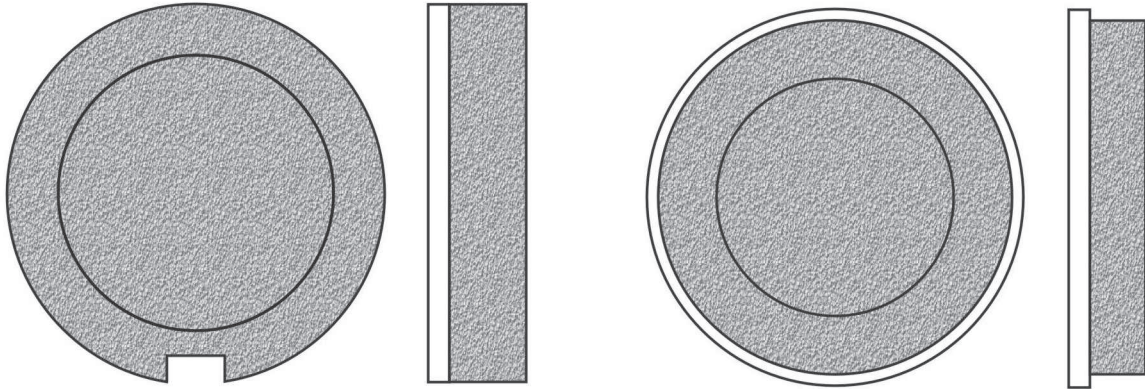


FD0002

BT

D1 (mm): 50x13 (Øxsp.)

D2 (mm): 50x10 (Øxsp.)



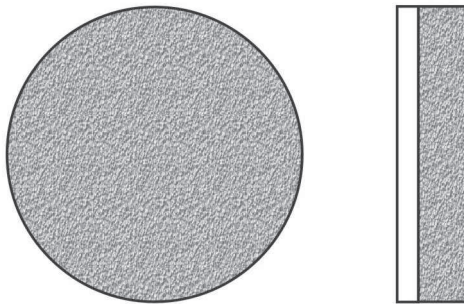
KAWASAKI	Year	A/P
3C 400	->77	A
3C 500	->77	A
Z750	->76	A

SUZUKI	Year	A/P
GT 250	->76	A

FD0003

BA | SE

D1 (mm): 39x9 (lxh x sp.)



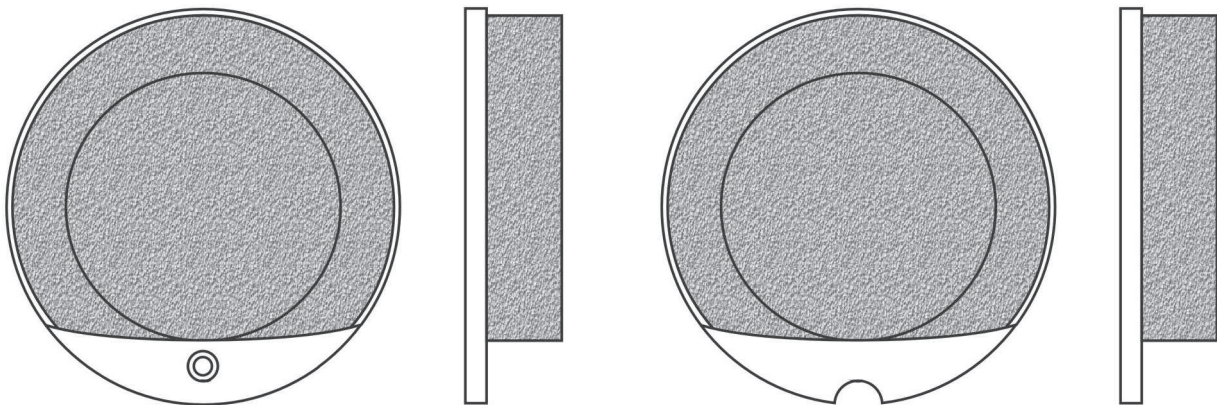
INNOCENTI	Year	A/P
LAMBRETTA 175 TV III	62->67	A
LAMBRETTA 200 DL	69->71	A
LAMBRETTA 200 GP (UK)	69->71	A
LAMBRETTA 200 GT (UK)	63->65	A
LAMBRETTA 200 SX	66->68	A
LAMBRETTA 200 TV III	63->65	A

FD0005

BT

D1 (mm): 52x12,8 (Øxsp.)

D2 (mm): 52x20 (Øxsp.)



HONDA	Year	A/P
CB 250 G5	75->	A
CJ 250 I	77->	A
CJ 360 T all models	78->	A

CB 400 F - F1 - F2	75->79	A
CB 500 K1 - K2	75->77	A
CB 500 T	75->77	A
CB 550	78->80	A

CB 750	78->79	A
CB 750 F	76->77	A

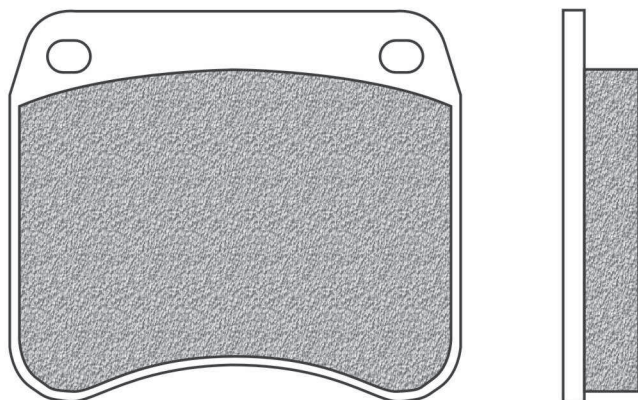
FIGURATO PASTIGLIE CON APPLICAZIONI | BRAKE PADS DRAWINGS AND APPLICATIONS | DESSINS PLAQUETTES AVEC APPLICATIONS |
 DISEÑOS PASTILLAS CON RELACION | ZEICHNUNGEN VON BREMSBELÄGE MIT VERWENDUNGSLISTE



FD0008

BT

D1 (mm): 60x52x10 (lhxsp.)



AP RACING	Year	A/P
CP 2696-36E0/38E0		A
CP 3696-2E0		A
CP 3697-2E0		A
CP 4638-2E0		A

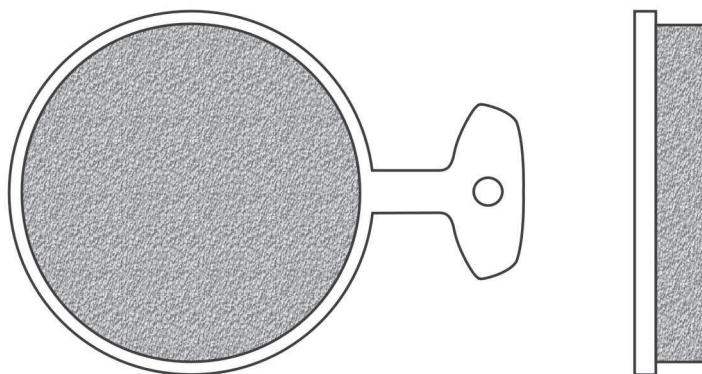
DUCATI	Year	A/P
850 GT - GTS	77->	A

TRIUMPH	Year	A/P
BONNEVILLE T 400 V,E	75->76	A / P
TRIDENT TI 500 V	75->	A / P
BONNEVILLE 750 D/E/F/V (T140)	76->81	A / P
BONNEVILLE 750 ES (T140)	81->83	A / P
THUNDERBIRD 750 TR65	81->	A
TIGER 750 TR7V	73->81	A
TIGER 750 TR7V	76->81	P
TIGER TRAIL 750 TR7T	81->83	A
TRIDENT 750 T160V	75->77	A / P
TSS 750 ELECTRO EIGHT VALVE	84->	A
TSS 750 TR7V	83	A / P
TSX 750	83	A / P

FD0009

BT

D1 (mm): 68x48x9 (lhxsp.)



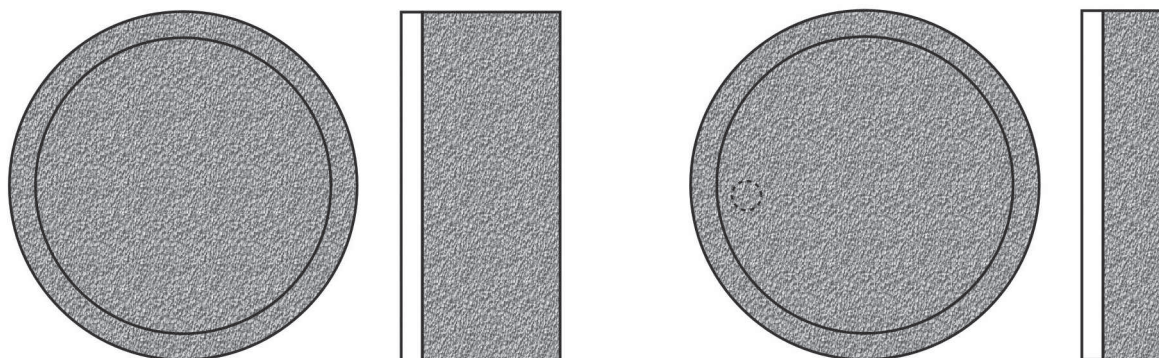
YAMAHA	Year	A/P
RD 250	74->76	A
RD 250	77	P
RD 350 S	74->76	A
XS 360 B	75	A
RD 400 C - D	76->77	A / P
TX 500	75->77	A
XS 500 B	75	A
XS 650	75->76	A

FD0011

BT

D1 (mm): 46x21 (Øxsp.)

D2 (mm): 46x11 (Øxsp.)

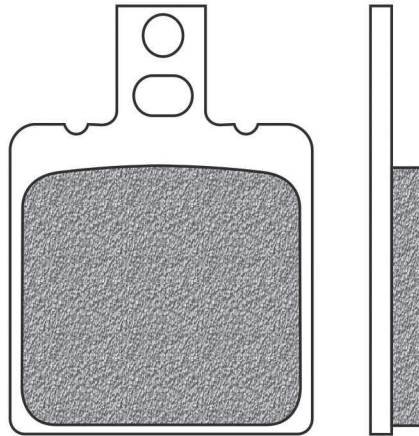


HONDA	Year	A/P
CB 125 K6 - S2	76->77	A
CB 200 B - T	76->78	A

FD0012

BA | BE | BT | B4R | TS

D1 (mm): 40x56,5x7 (lxhxsp.)



FIGURATO PASTIGLIE CON APPLICAZIONI | BRAKE PADS DRAWINGS AND APPLICATIONS | DESSINS PLAQUETTES AVEC APPLICATIONS | DISEÑOS PASTILLAS CON RELACION | ZEICHNUNGEN VON BREMSBELÄGE MIT VERWENDUNGSLISTE

ACCOSSATO	Year	A/P
50 ENDURO CODICE	89->	A
CE 50	87->	A
CE 80	87->	A / P
KR 80	87->	A

ALFER	Year	A/P
MC 80	88->	A
MC 80 CROSS	89->	A / P
MC 125	87	A
MC 125	87->	P
GR 250 ENDURO	85->87	A / P
MC 250	85->86	A
MC 250	87->	P
GR 300 ENDURO	85->87	A / P
TX 300	90	P

APRILIA	Year	A/P
RS 50	91->95	P
RS 50	91->05	A
RX 50	96->98	A
SR 50 R FACTORY (motore Piaggio)	04->05	A
TUAREG 50 HPC SYSTEM	87->	P
TUONO 50	03->04	P
AF1 125 EUROPA	90->92	P
AF1 125 FUTURA	90->91	P
AFI 125	89->91	P
AFI 125 SINTESI	88->	P
AFI 125 SINTESI REPLICA	89->91	P
ASR 125	86->	P
CLASSIC 125	95->01	P
ETX 125	85->86	A
LEONARDO 125	95->96	A
RS 125	92->05	P
RS 125 PISTA	05->	P
SPORT PRO 125	93->	P
TUAREG 125	86->	P
TUAREG 125 WIND	90->	P
TUONO 125	03->07	P
CLIMBER 200	93->	A / P
MX 250	83	A
RS 250	95->96	P
RX 250	83->	A
ETX 350	85->86	P
ETX 350 AF	87->	P
TUAREG 350	87->	P
TUAREG 350 WIND	87->88	P
ETX 600	86->	P

ATK (USA)	Year	A/P
ATK 250 CC/MX	91->92	P
ATK 350 ES/CC/MX/STD	91->92	P

ATK 350 GS	93->	A / P
ATK 406 CC/MX	91->92	P
ATK 560	84->88	A
ATK 604 ES/CC/MX/STD	91->92	P
ATK 640	93->	A / P

BENELLI	Year	A/P
125	76->	A
125 2 C	76->78	A
125 2T - 2 CSE	76->78	A
250 4	76->	A
250 C	76->78	A
250 TS	76->78	A
350	83->	A / P
350 4 CIL.	78->	A
350 SPORT	78->	A
350 SPORT II	78->	A
350 T	78->	A
500	78->	A
500 LS	78->	A
500 QUATTRO	76->	A
650	82->	A
650 SPORT	78->	A
650 T	78->	A
TORNADO 3 900	00->02	P
TNT 1100	04	P

BETA	Year	A/P
QUADRA 50	97->	A
TEMPO 50	97->98	A
KR 125	86->	A
KR 125 AFRIKA	87->	A
ALP 240	96->	P
CR 250	83->	A
KR 250 AFRIKA	86->	A
KR 250 RALLY	87->	A
GS - RV 500	84->	A

BIMOTA	Year	A/P
YB7 400	89->	P
V DUE 500	97->00	P
YB9 600 SRI	97->	P
BB1 SUPERMONO 650	96->00	P
SB7 750	96->	P
YB4 750	89->	P
DB2 SR 904	92->00	P
DB3 MANTRA 904	96->00	P
DB4 904	98->	P
SB8K 1000	06->	P
SB8K 1000 SANTAMONICA	07->	P
SB8R 1000	97->00	P
YB10 1000 BIPOSTO	92->	P

YB11 1000	97->	P
YB6 1000	89->	P
YB8 1000 E	90->	P
YB8 1000 E.I. FURANO	90->	P
YB8 1000 FURANO	92->	P
DB7 1099	09->	P
SB6 1100	96->00	P

BREMO	Year	A/P
20.5161.42/51 Gold line Road		A

CAGIVA	Year	A/P
COCIS 50	88->	A
COCIS 50	89->	P
CUCCILO 50	97->	A
LUCKY EXPLORER 50	88->	A
NUVOLA 50	00->	A
SUPERCITY 50	93->	P
W4 PRO ACTION 50	94->	A
COCHIS 75	89->	A / P
COCIS 80	89->	A
SUPERCITY 80	94->	P
W4 PRO ACTION 80	94->	A
BLUES 125	88->92	P
ELEFANTRE 125	87->	A
FRECCIA 125	87	P
FRECCIA 125 C10 all models	88->	P
FRECCIA 125 C12 R	89->91	P
FRECCIA 125 C9	88	P
K7 125 ENDURO	91->	P
MITO 125	91->92	P
MITO 125 525	06->10	P
MITO 125 EDDY	93	P
MITO 125 EURO 2	05->	P
MITO 125 EV	94->07	P
MITO 2 125 PRODUCTION RACER	94->	P
NUVOLA 125	00->	A
RAPTOR 125	03->06	P
SUPERCITY 125	92->00	P
W8 PRO ACTION 125	92->95	P
WMX 125 CROSS	86	A
ALA BLU 250	83->	A
ALA ROSSA 250	83->	A
ALA VERDE 250	83->	A
SST 250	80->	A
SST 250 ruota integrale	->82	A
SSX 250	82->	A
ST 250	82->	A
SX 250	82->	A
WMX 250	82->86	A
WRX 250	83->	A
ALA AZZURRA 350	83->	A



... FD0012

... segue CAGIVA	Year	A/P
ALA AZZURRA 350 GT	87->	A
ALA BLU 350	83->	A
ALA ROSSA 350	83->	A
ALA VERDE 350	83->	A
ELEFANT 350	85->	P
SST 350	81->	A
SX 350	83->	A
T4 350 R - ER	87->	A
W 12 350	92->	P
RIVER 500	99->01	P
T4 500 E - ER	87->	A
WMX 500	84->	A
RIVER 600	95->99	P
ALA AZZURRA 650	84->	A / P
ALA AZZURRA 650 GT	87->	P
ELEFANT 650	85->	P
DAKAR 750	87->	P
ELEFANT 750	87	P

CZ - JAWA	Year	A/P
CZ 180	93->	A

DB MOTORS	Year	A/P
PIRAT 50 ZZ	00->	A / P
SPORT 50 ZZ	00->	A

DERBI	Year	A/P
EASY 50	96->	A
T18 75	84->	A
MULHACEN 125	07->	P
RC 250	85->	A

DUCATI	Year	A/P
350 F3	86->	A / P
350 INDIANA	87->	P
350 S-GTL	75->	A
350 SPORT GTV-SL-XL	75->	A
SUPERSPORT 350	91->92	P
00 DESMO F3	87->	A / P
MONSTER 400	95->99	A
MONSTER 400	95->08	P
MONSTER 400 DARK IE	05	P
SUPERSPORT 400	93->97	P
500 GTL SPORT DESMO	75->	A
500 GTV	77->	A
500 PANTAH	77->	A
500 S	75->	A
502 SINGLE	93->	P
502 SUPERMONO	93->	P
550 SUPERMONO	92->	P
MONSTER 600	93->01	P
MONSTER 600 CITY - CITY DARK - DARK	99	P
MONSTER 600 DARK	98	P
SUPERSPORT 600	91->97	P
MONSTER 620	05->06	P
MONSTER 620 (5 marce - single disk)	04	P
MONSTER 620 (6 marce)	04	P
MONSTER 620 DARK	05->06	P
MONSTER 620 DARK (single disk)	05	P
MONSTER 620 IE	02->04	P
650 DESMO	87->	P
650 INDIANA	86	A / P
650 INDIANA	87->	P
MONSTER 695	07->08	P
748	02	P
748 BIPOSTO	01	P
748 BIPOSTO - SP	95->01	P
748 R	00->02	P
748 RACING (con antisaltellamento)	98->99	P
748 RS (con antisaltellamento)	00->01	P
748 S	00->02	P
748 SP	95->97	P
748 SPS	98->99	P
748 TESTA BASSA	01	P
750 F1 DESMO	86->	P

MONSTER 750	96->01	P
MONSTER 750 CITY - CITY DARK	99	P
MONSTER 750 IE	02	P
SPORT 750	->76	P
SUPERSPORT 750	91->02	P
SUPERSPORT 750 IE	00->02	P
MONSTER 800	03->04	P
MONSTER 800 S2R	05->07	P
MONSTER 800 S2R DARK	05->06	P
851 all models	91->92	P
888 all models	93->95	P
888 DESMOQUATTRO	93->94	P
888 SUPERBIKE STRADA	94->95	P
900 I.E. PASO	90->91	P
MONSTER 900	93->99	P
MONSTER 900 CITY - CITY DARK	99	P
MONSTER 900 CROMO	98->99	P
MONSTER 900 IE	00->02	P
MONSTER 900 SPECIAL	98	P
SUPERSPORT 900	78->89	P
916 BIPOSTO SENNA	94->98	P
916 SP	94->96	P
916 SPS - SPS I/II/III (996cc)	97->00	P
MONSTER 916 S4	01->02	P
MONSTER 916 S4 FOGGY	02	P
RACING (996cc) 916 (con antisaltellamento)	97->98	P
996	99->01	P
996 RS (con antisaltellamento)	00->01	P
996 S	01	P
MONSTER 996 S4R	03->06	P
998	02->03	P
998 MATRIX	04	P
998 R	02	P
998 R - S	02->03	P
998 RS (con antisaltellamento)	02->03	P
998 S	02->06	P
998 S (pinza radiale)	02->03	P
998 S BAYLISS - BOSTROM	02	P
998 S FINAL EDITION	04	P
MONSTER 1000	03->05	P
MONSTER 1000 S	05	P

FANTIC	Year	A/P
CABALLERO 50 RC	90->	A

GARELLI	Year	A/P
URKA 50	91->	A
TIGER 125 XR		A
TIGER 125 XRD		A

GILERA	Year	A/P
ARIZONA 125	83->	A
CMM APTS 125	87->	P
CRONO 125	91->	P
CX 125	91->	P
FAST BIKE 125	87->	P
GFR 125	93->94	P
HX 125 LC	83->	A
KK 125 APTS	87->	P
KZ 125	86->	P
KZ 125 ENDURANCE	88->	P
MX-I 125	88->89	P
MXR 125	90->	P
R1 125 S	88->	P
RX 125	84->	A
SP 01 125	89	P
SP 02 125	90->	P
XR1 125	88->	P
XR2 125	89->	P
FAST BIKE 200	87->	P
RV 200	85->86	P
RV 200 ES	87->	P
RX 200	85->	A
RX 200 ARIZONA HAWK	86->	A
HX 250 LC	83->	A
NGR 250	85->	P

RC 250 RALLY	87->	P
RX 250 ARIZONA RALLY	86->	A
XRT 350	88->	P
SATURNO 500 PIUMA	90->	P
XRT 600	88->	P

HERCULES	Year	A/P
Lotus 80 SW		A

HM	Year	A/P
CRE 50 (da telaio nr. 1001 a 2818)		P

HRD	Year	A/P
PLATINO 125 ST	86	A
ROAD 125 ST	86->	A

HUSQVARNA	Year	A/P
CR 125	85->90	A
WR 125	86	A
WR 240	86	A
CR 250	85->95	A
WR 400	86	A
CR 500	85->	A
510	86->	A

ITALJET	Year	A/P
BOSS 350 ENDURO		A
CX 350	85->	A
ROAD MASTER 350		A

KEEWAY	Year	A/P
125 ENDURO	07->08	P
125 X-RAY	07->08	P

KTM	Year	A/P
COMET 50 PL-RL-RLW-RS4L-TS		A
MX 50	87->	A
RSV 50	86->	A
L-PL-RL-RS-RSL-BORA 80		A / P
MX 80 GR - SUPER MINI	86->88	A
125 BAJA	86	A
GS 125	86	A / P
MX 125	85->86	A
MX/MXC 125	86	A / P
BAJA 250	86->	A
GS 250	85	A
GS 250	86	P
MX 250	85	A
MX 250	86	P
GS/MX/ MXC 300	85	A
GS/MX/ MXC 300	86	P
COUNTRY 350	85->	A
GS 350	83->	A
GS 390	80->	A
MX 495	82->83	A
GS 500	83	A
MX/MXC 500	85	A
MX/MXC 500	86	P
GXE 550	->85	A / P
600 ENDURO	->85	A / P
GS 600	85	A
XC/XCE 600	85	A
LC4 620 DUKE	94->97	P

LAVERDA	Year	A/P
GAUCHO 50	92->	A / P
OR 50 ATLAS	87->	A / P
125	->82	A
GS 125 LESMO	86->	A / P
350	80->	A / P
ALPINO 500	77->	A / P
PF 500	77->	A / P
RS 500	77->	A / P
OR 600	86->	A
SPORT 650	95->01	P
STRADA 650	96->	P

... FD0012

... segue LAVERDA	Year	A/P
DIAMANTE 668	96->98	P
GHOST 668	96->99	P
STRIKE 668	97->99	P
750 S (all models)	97->	P
BLACK STRIKE 750	00->	P
CUP 750	98->	P
DIAMANTE 750	97->	P
FORMULA 750	97->01	P
SPORT 750	97->98	P
STRIKE 750	98->01	P
SUPER SPORT 750	99->00	P
T-8 800	98	P
1000 JOTA	76->	P

MAICO	Year	A/P
CROSS 250 GM	84->	A
ENDURO 250 GME	84->	A
CROSS 500 GM	84->	A
ENDURO 500 GME	84->	A

MALANCA	Year	A/P
E2 C 80 CS		A / P
GII 125		A / P
MARK 125 ENDURO		A

MONTESA	Year	A/P
COTA 309	90	P
COTA 310	91	P
COTA 311	92->93	P
COTA 314 R	94->95	P

MOTO GUZZI	Year	A/P
IPPOGRIFO 50	97->	P
2C 125 4T	79->	A
TT 125	85->	A
TS 250	76->82	A / P
GTS 350	76->79	A / P
NEVADA 350	92->97	A / P
NEVADA 350 CLUB	98->99	A / P
NTX 350	86->90	A
V 35 350 (accensione elettronica)	77->79	A / P
V 35 350 C	82->86	A / P
V 35 350 FLORIDA	86->90	A / P
V 35 350 GT	90->	P
V 35 350 IMOLA	70->83	A / P
V 35 350 IMOLA II	84->	A / P
V 35 350 TT ENDURO	84->	A / P
GTS 400	74->79	A / P
V 50 500 (accensione elettronica)	77->79	A / P
V 50 500 C	82->86	A / P
V 50 500 III	80->84	A / P
V 50 500 MONZA	80->83	A / P
V 50 500 MONZA II	84->	A / P
65 GT 650	88->89	A / P
NEVADA 650	92->96	A / P
NEVADA 650 CLUB / BASE	97->02	A / P
NTX 650	86->90	A
V 65 650	81->83	A / P
V 65 650 FLORIDA	85->92	A / P
V 65 650 GT	90->	P
V 65 650 II ENDURO	84->	A / P
V 65 650 LARIO	84->	A / P
V 65 650 SP CHOPPER	81->	A / P
VT 650 TT BAJA	86->	P
NEVADA 750	91->97	A
NEVADA 750 CLUB	98->01	A / P
V 10 1000 CENTAURO	97->99	P
CALIFORNIA 1100 EV	03->05	P
SPORT 1100 (carburatori)	94->96	P
SPORT 1100 (iniezione)	96->99	P
SPORT 1100 CORSA	98->99	P
V 11 1100 LE MANS	01->05	P
V 11 1100 NAKED	03->05	P
V 11 1100 SCURA	02->05	P
V 11 1100 SPORT	99->05	P

V 11 1100 SPORT ROSSO MANDELL	01->06	P
V 11 1100 SPORT SCURA	02->	P
V11 1100 BALLABIO	03->05	P
V11 1100 CAFE SPORT	03->05	P
V11 1100 COPPA ITALIA	03->05	P

MOTO MORINI	Year	A/P
BLUES 125	93->	P
COGAURO 350	90->	P
DART 350	88->89	P
EXALIBUR RLX 350	90->	P
KANGURO 350	87->	P
NEW YORK 350	89->	P
WS 350 PRO ACTION	93->	P
DART 400	90->	P
CAMEL 501	->84	A
CAMEL 501	85->	P
COGUARO 501	89->	P
EXCALIBUR 501	87->88	P
NEW YORK 501	89->	P

MOTRON	Year	A/P
XLE 50	88->93	P

NORTON	Year	A/P
F 1 588	90->91	P
FORMULA 588 1 SPORT	92->	P
TT 588	92->	P

PGO	Year	A/P
G MAX 50 DOPPLER	06->	A

PUCH	Year	A/P
MAXI 80	88->	P
CROSS 250	86->	A
HFE 250	86->	A
ENDURO 600 4 VALVES	85->	A / P

SACHS	Year	A/P
SV 80 LOTUS		A

SANGLAS	Year	A/P
Y 400	79->80	A / P
S2 500	79->80	A / P

SHERCO	Year	A/P
ST 125	99->01	A / P

SIMSON	Year	A/P
HABICT 50 CX	01->	A
SPATZ 50	99->	A
SPERBER 50	99->	A
STAR 50	99->	A
IFA 80	89->	A
SR 80 2 CE	89->	A
S 83 CX / OR		A
SCHIKRA 125	99->	P

SWM	Year	A/P
S1 125	83->	A
S2 125	83->	A
S1 250	83->	A
S2 250	83->	A

TM	Year	A/P
all models 80	->85	A
all models 80	86->89	P
GS 80	86->89	P
all models 125	->89	A
GS 125	86->89	P
MC 125	86->89	P

TORNAX	Year	A/P
RX 80		A

TRE SOLDI	Year	A/P
CR 80	85->	A

YAMAHA	Year	A/P
TDR 125 R LIGHTBURNER	93->94	P
TZR 125 R	91->95	P
TZR 125 RED ROCKET	93->95	P
SZR 660	95->97	P

ZANELLA	Year	A/P
RACING MOPED 50	92->	A
RZA 125	92->	A

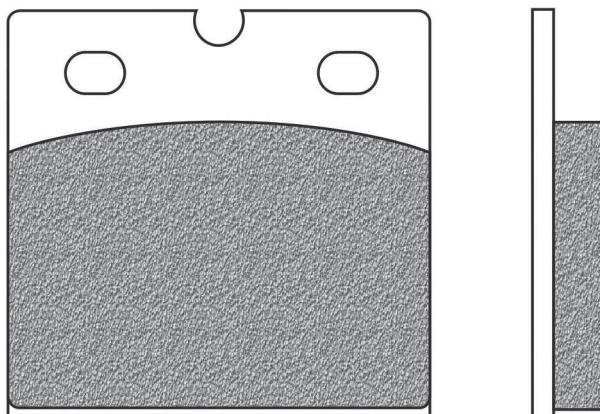
ZUNDAPP	Year	A/P
KS 80 SUPER	80->	A

FIGURATO PASTIGLIE CON APPLICAZIONI | BRAKE PADS DRAWINGS AND APPLICATIONS | DESSINS PLAQUETTES AVEC APPLICATIONS |
DISEÑOS PASTILLAS CON RELACION | ZEICHNUNGEN VON BREMSBELÄGE MIT VERWENDUNGSLISTE



FD0013
BT | SP

D1 (mm): 56x54x9 (lxhxsp.)



APRILIA	Year	A/P
AF1 250 REPLICA	90->	P
BENELLI	Year	A/P
350 SPORT	78->	P
350 SPORT II	78->	P
350 T	78->	P
500	78->	P
500 LS	78->	P
650	82->	P
650 SPORT	78->	P
650 T	78->	P
SEI 750	76->	A
SEI 900	78->	A
BERINGER	Year	A/P
CLASSIC CNC 2 piston		A
BIMOTA	Year	A/P
BELLARIA 600 SPORT	91->	P
TESI 851 1D	90->91	P
TESI 906 1D	91->	P
SB3 1000	83->	A / P
TESI 1000 2D	04->06	P
YB10 1002 DIECI	92->95	P
BMW	Year	A/P
R 45 450 (21_0067 - 248)(da 09/80)	80->85	A
R 45 N 450 (21_0067 - 248)(da 09/80)	80->85	A
R 45 T 450	80->85	A
R 45 T/N 450	80->85	A
R 65 650 35 KW	85->88	A
R 65 650 GS	87->92	A
R 65 650 LS	81->85	A
R 65 RT 650	85->88	A
R 65 T 650	80->85	A
K 75 750	84->88	A
K 75 750	90->96	P
K 75 750 (pinza ABS)	91->	P
K 75 RT 750	89->93	P
K 75 S 750	->87	A
K 75 S 750	->93	P
R 80 GS 800	80->86	A
R 80 R 800 (twin disc)	84->87	A
R 80 RT 800 (twin disc)	82->87	A
R 80 ST 800	82->84	A
R 80 TIC 800 (21_0067 - 2474)(da 09/80)	80->85	A
K 1 1000	88->93	P
K 100 1000	82->88	A / P
K 100 LT 1000	86->87	A
K 100 LT 1000	86->91	P
K 100 RS 1000	88->92	P
K 100 RT 1000	83->88	A / P
R 100 1000 S (da 09/80)	80->	A / P
R 100 RS 1000 (21_0067 - 2474)(da 09/80)	80->84	A / P
R 100 RS 1000 (21_0067 - 2478)	86->87	A
R 100 RT 1000	87->88	A
R 100 RT 1000 (21_0067 - 2474)(da 09/80)	80->84	A / P

R 100 TIC 1000	80->84	A
R 100/7T 1000 (21_0067 - 2474)(da 09/80)	80->84	A
K 1100 LT	89->99	P
K 1100 LT / SE	92->00	P
K 1100 RS	92->96	P
R 1100 RS	92->01	P
K 1200 GT	02->07	P
K 1200 GT (K41)	02->05	P
K 1200 RS	96->05	P
BREMBO	Year	A/P
108N - P2 38		A
F08		A
CZ - JAWA	Year	A/P
CZ 125 2T		A
CZ 125 MX		A
CZ 180	92	A
TRAIL 300	93->	A
DUCATI	Year	A/P
250 DESMO	->77	A
350 DESMO	->77	A
600 SL	76->	A / P
600 TL PANTAH	76->	A / P
650 DESMO	87->	A
750 ENDURANCE	87->	P
750 F1 DESMO	86->	A
750 LAGUNA SECA	87->	P
750 PASO	87->	A / P
750 SS	76->	A / P
SPORT 750	->90	A
SPORT 750	88->90	P
906 PASO	89->	A / P
907 IE	90->93	A / P
1000 all models	84->	A / P
1000 MILLE REPLICA	05->	A / P
1000 S2 DESMO	85->	A / P
HOREX	Year	A/P
REBELL 80 T	86->	A / P
SPORT 80 L	86->	A / P
IMPERATOR 125	96->	A
REGENT 125	96->	A
E 560	86->	A / P
COLUMBUS 600	87->	A / P
INDIAN	Year	A/P
CHIEF BLACKHAWK 1700	11->13	P
CHIEF BOMBER 1700	10->13	P
CHIEF CLASSIC 1700	10->13	P
CHIEF DARK HORSE 1700	10->13	P
CHIEF DELUXE 1700	09->13	P
CHIEF ROADMASTER 1700	09->13	P
CHIEF STANDARD 1700	09->13	P
CHIEF VINTAGE 1700	09->13	P
LAVERDA	Year	A/P
125	83->	A
SFC 500	77->	A / P

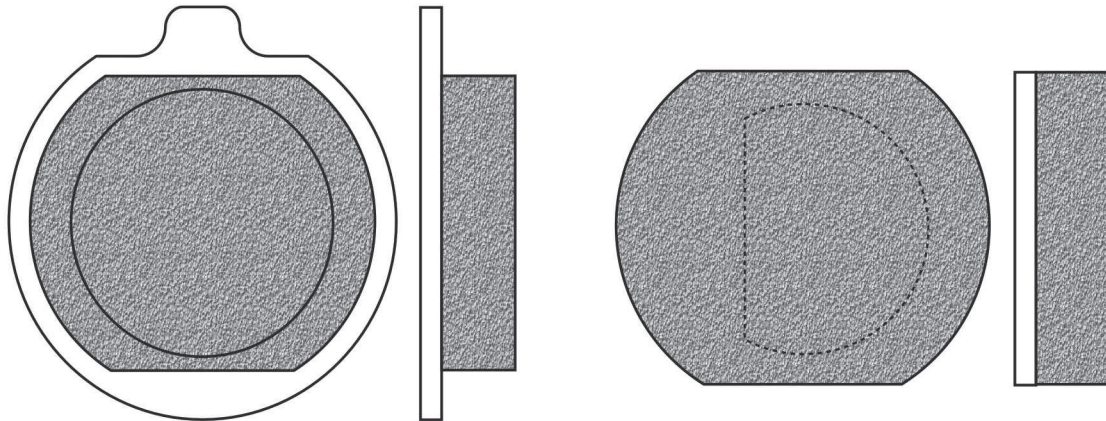
SF3 750	77->	A / P
3CE 1000	74->	A / P
JOTA 1000	95->	P
RGS 1000	83->	A / P
RGS 1000 CORSA		A / P
RGS 1000 JOTA	77->	A / P
SFC 1000	85->86	A / P
TGA 1000 EXECUTIVE	84->	A / P
MIRAGE 1200	78->	A / P
T.T. 1200	76->	A / P
MOTO GUZZI	Year	A/P
NTX 350	86->90	P
V 35 350 GT	90->	A
NTX 650	86->90	P
V 65 650 GT	90->	A
NTX 750	90->	P
S 750	74->75	A
S3 750	75->76	A / P
CALIFORNIA 850 T3	75->80	A / P
LE MANS 850	76->	A / P
T 850	74->75	A
T3 850	79->85	A / P
T4 850	80->	A / P
T5 850 CIVILE	84->87	A / P
T5 850 POLIZIA	88->01	A / P
T5 850 POLIZIA (ante modifica)	88->93	A / P
CALIFORNIA III 1000	81->87	A / P
CALIFORNIA III 1000 (carburatori)	87->93	A / P
CALIFORNIA III 1000 (iniezione)	90->93	A / P
DAYTONA 1000	92->95	P
DAYTONA 1000 RACING	96	A
DAYTONA 1000 RS	97->98	P
GT 1000	87->91	A / P
GT V 1000	91->	A / P
LE MANS 1000	84->93	A / P
LE MANS - V 1000	90->	A / P
S 1000	89->94	A / P
SP 1000	79->83	A
SP II 1000	84->87	A / P
SP III 1000	89->94	A / P
STRADA 1000	93->94	A / P
V 1000 1000 G5	78->	A / P
V 1000 1000 I CONVERT	75->	A / P
CALIFORNIA 1100	94->97	A / P
MZ	Year	A/P
ETZ 125	82->84	A
ROADSTAR 125		A
SPORTSTAR 125	93->	A
ETZ 150	82->	A
ETZ 250	82->	A
SPORTSTAR 251	96->	A / P
ETZ 300	88->	A
ETZ 301	90->	A
SPORTSTAR 301	96->	A / P
SAXON 500 all models	92->	A / P
SILVER 500 STAR CLASSIC	93->	A / P
NORTON	Year	A/P
COMMANDER 588	90->	A / P
INTERPOL 588 2 (ROTARY)	83->89	A / P
WANKEL CLASSIC 588 2 (ROTARY)	88->	A / P
SWM	Year	A/P
XP 350 SAHARA	83->	A
TRIUMPH	Year	A/P
BONNEVILLE 750 UK	87->	A / P
ZUNDAPP	Year	A/P
KS 125	82->	A
KS 175	82->	A

FD0014

BT

D1 (mm): 51,5x54,5x10 (lxhxsp.)

D2 (mm): 50x42x12,5 (lxhxsp.)

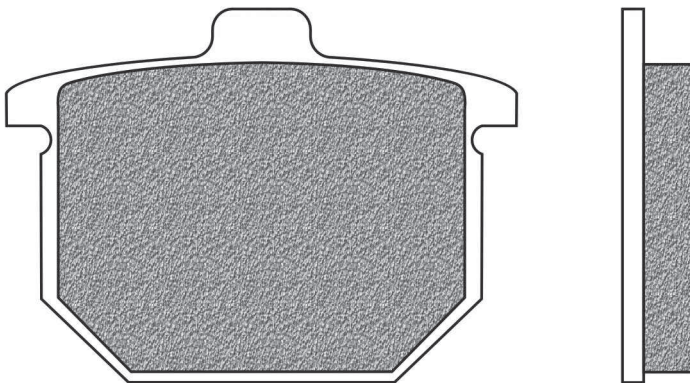


KAWASAKI			Year	A/P						
KH 250			77->80	A	KH 500	76	A	Z 900 A4	77	A
Z 250			78->80	A	Z 500	79->80	A	Z 1000 A1/A2/A3/A4	77->80	A
KH 400 A3-5			76->78	A	Z 550 A1	80	A	Z 1000 D1-D3 Z1R	78->80	A
Z 400 G1			79	A	Z 650	77->79	A	Z 1000 H1	80	A
Z 440			79->80	A	Z 650 C CUSTOM	77->80	A			
Z 440 LTD			82	A	Z 650 F1	80	A			
					Z 750	76->78	A/P			

FD0016

BT

D1 (mm): 67,5x49,5x9,5 (lxhxsp.)



HONDA			Year	A/P
CB 400 N - NA - NB			78->82	A
CM 400			78->	A
CB 750 F			78->82	A / P
CB 900 F			79->81	A / P
CBX 1000			77->80	P
GL 1000 K GOLDWING			75->77	A
GL 1100			80->81	A / P

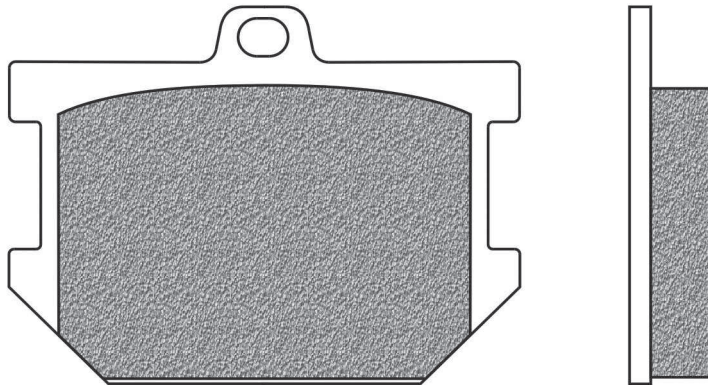
FIGURATO PASTIGLIE CON APPLICAZIONI | BRAKE PADS DRAWINGS AND APPLICATIONS | DESSINS PLAQUETTES AVEC APPLICATIONS |
DISEÑOS PASTILLAS CON RELACION | ZEICHNUNGEN VON BREMSBELÄGE MIT VERWENDUNGSLISTE



FD0017

BT

D1 (mm): 67,5x50x11 (lhxsp.)

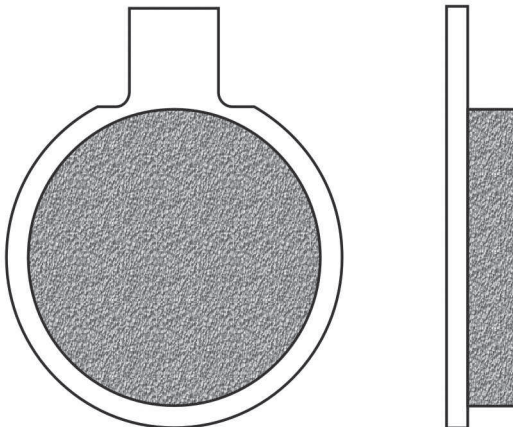


YAMAHA	Year	A/P
XS 250 C	78	A / P
XS 250 D - E	79->81	A
XS 360 C	76->	A / P
SR 400	77	A / P
XS 400	79	A
XS 400 C	78	A / P
SR 500	78->92	A
XS 500 C	76->79	A / P
KJ 650	80->	A
XJ 650 SECA	82	A
XS 650	77->81	A
XS 650 SE	79->80	A / P
XS 750	77->79	A / P
XS 750 SE	79->80	P
XS 850	80	A / P
XV 1000 TR 1	81	A
XS 1100	78->80	A / P
XS 1100 S	81->	P

FD0018

BT

D1 (mm): 44,5x55,5x9,5 (lhxsp.)



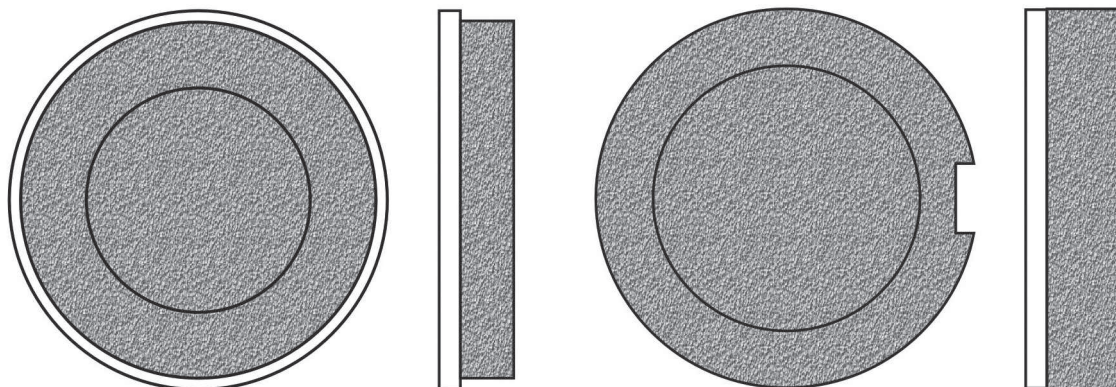
NORTON	Year	A/P
COMMANDO 750	68->	A
COMMANDO 850 MK2	73->75	A
COMMANDO 850 MK3	75->77	A / P

FD0021

BT

D1 (mm): 50x9,8 (Øxsp.)

D2 (mm): 50x12,6 (Øxsp.)



KAWASAKI	Year	A/P
KH 500	74->75	A

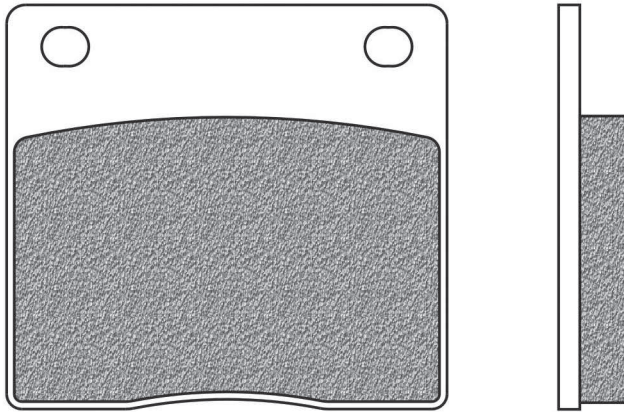
SUZUKI	Year	A/P
GT 125	74->77	A
GT 185	74->79	A
GT 250 K - L - M	73->78	A
GT 380 A - B - K	73->77	A

GT 500	76->77	A
GT 550 A - B	76->77	A
GT 550 K - L - M	73->75	A
GT 750	72->77	A

FD0022

BT

D1 (mm): 58x54x9 (lxhxsp.)



SUZUKI	Year	A/P
GSX 400 FEX - FZ - FD	81->83	P
GS 500	81->	P
GS 550 EC - EN	78->79	P
GS 550 ET - EX - EZ	80->84	P
GS 650 GTX - GTZ - GX	81->83	P
GS 650 GZ KATANA	81->82	P
GS 650 TURBO	83->	P
GS 700 E - ES	85	P
GS 750	77->80	P
GSX 750 S KATANA	80->86	P
GS 850	79->85	P
GS 1000 ET	81	P
GS 1000 GT - GX	80	P
GS 1000 HC - SN	78->79	P
GSX 1000 S KATANA	82	P
GS 1100 GZ	82	P
GSX 1100	80->82	P
GSX 1100 KATANA	83	P
GV 1200 GL MADURA	85->86	P

GMA	Year	A/P
2 Piston large model A		A

KAWASAKI	Year	A/P
Z 500	79->80	P
Z 650 C CUSTOM	77->80	P

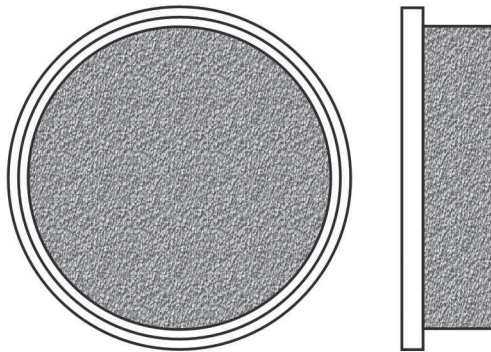
Z 1000 A1/A2/A3/A4	77->80	P
Z 1000 D1-D3 Z1R	78->80	P
Z 1000 H1	80	P
Z 1000 SHAFT - ST	79->82	P
Z 1300	79->83	P
ZG 1300 DF1	84->86	P

FD0023

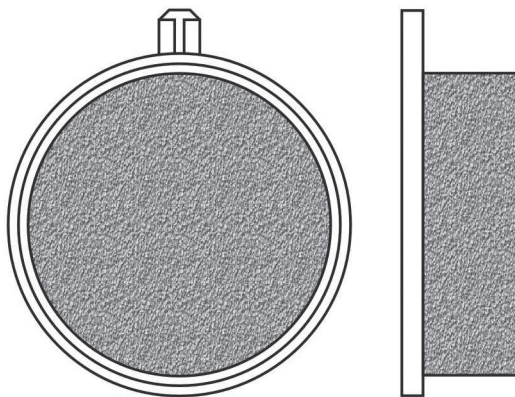
BT

D1 (mm): 45,5x11,9 (Øxsp.)

D2 (mm): 45,5x14,9 (Øxsp.)



YAMAHA	Year	A/P
FS 1 50 E DX	77->79	A
RD 50 M	78	A
RS 100 DX	77->80	A
RD 125 DX	75->76	A
RS 125 DX	76->80	A
RD 200 DX	75->77	A
RS 200 C	75->80	A

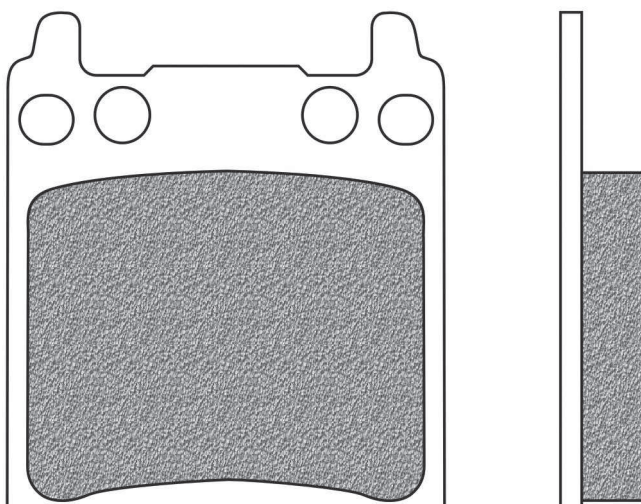


FIGURATO PASTIGLIE CON APPLICAZIONI | BRAKE PADS DRAWINGS AND APPLICATIONS | DESSINS PLAQUETTES AVEC APPLICATIONS |
DISEÑOS PASTILLAS CON RELACION | ZEICHNUNGEN VON BREMSBELÄGE MIT VERWENDUNGSLISTE



FD0025
BT

D1 (mm): 58x65,5x10,8 (lxhxsp.)

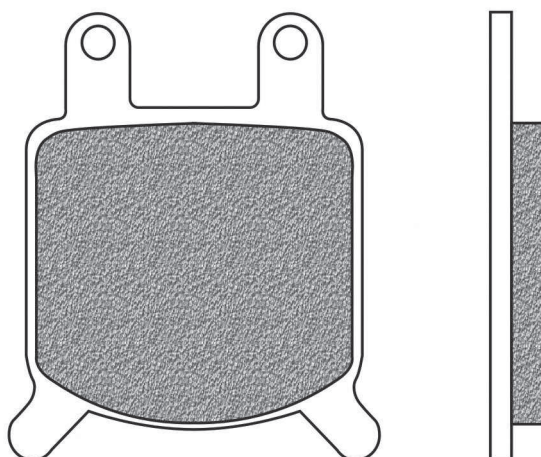


HONDA	Year	A/P
CB 750 F	76->77	P
GL 1000 K GOLDWING	75->77	P
GL 1000 Z GOLDWING	79	P

PERFORMANCE MACHINE	Year	A/P
162X2		A

FD0028
BT

D1 (mm): 49x59x7 (lxhxsp.)



TG3 125		A
T4 200		A
T4C 200		A
T4S 200		A

GMA	Year	A/P
2 Piston small model B		A

JAYBRAKE	Year	A/P
2 piston ADC/ADCS		A

KREIDLER	Year	A/P
MUSTANG 125	83->	A

MOTO MORINI	Year	A/P
MONOCILINDRO 125	79->	A

BICILINDRO 250	79->	A
MONOCILINDRO 250	->81	A

SPORT 250	->70	A
TURISMO 250	->70	A

GT 350	76->81	A
GT 350TURISMO	80->	A

SPORT 350	81	A
T.T. 500	80->	A

ZUNDAPP	Year	A/P
K 80	80->	A

KS 80	80->	A
KS 125	80->81	A

ASPES	Year	A/P
DUMA 125	00	A

BETA	Year	A/P
CUSTOM 125	82->	A
CUSTOM 250	82->	A

GARELLI	Year	A/P
TSR 125 SELF MIX		A

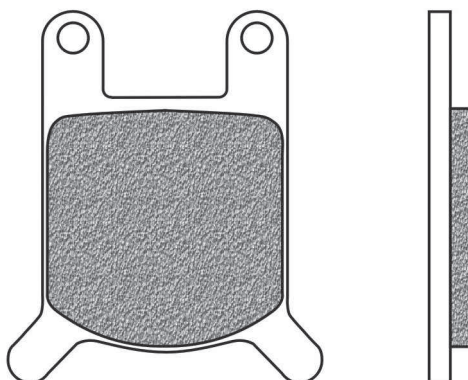
GILERA	Year	A/P
TG1 80		A

TG2 80		A
TG3 80		A

GR1 125		A
TG1 125		A
TG2 125		A

FD0031
BT

D1 (mm): 41,5x49x5,5 (lxhxsp.)



ATK (USA)	Year	A/P
ATK 560	86	P

BETA	Year	A/P
MS 50	80->	A
SQUIRREL 50	83->	A

CASAL	Year	A/P
RZ 50		A

CIMATTI	Year	A/P
Gringo 50 old models		A

...segue

... FD0031

FANTIC	Year	A/P
STRADA 50 SUPER SIX	73->	A

GARELLI	Year	A/P
CICLONE 50 N DE LUXE SELF MIX L.C		A

HERCULES	Year	A/P
CHOPPER 50		A
RX - 9 / RX - 9 50 AIRCOOLED		A
SUPRA 50 4 GP		A
ULTRA 50	79->83	A
AC 80 CHOP	81->	A
CHOPPER 80	81->	A
Lotus 80 SA		A
ULTRA 80	81->	A
ULTRA 80 RS		A
ULTRA 80 RS AC		A
ULTRA 125 RS		A

HOREX	Year	A/P
REBELL 80 N		A

MACAL	Year	A/P
TR 50		A

MALAGUTI	Year	A/P
CHOPPER 25	->82	A
FIFTY 50 HF (freno a disco)	->82	A
GRIZZLY 50 RCX / 12	87->	A
LX 50 SPORT	->82	A
RCW 50 RONCO	->82	A
VA 50 OLYMPIQUE	->82	A
WC 50 WATER COOLED	->82	A
CHOPPER 80	->82	A

MALANCA	Year	A/P
GT 5 50		A
ST 54		A
125		A

MOTO GUZZI	Year	A/P
TURISMO 125	74->81	A

MOTRON	Year	A/P
V 3 50 RID		A

OSSA	Year	A/P
TU-YO 360		A/P

PUCH	Year	A/P
GTL 50		A
80 /6		A
348		A
504		A
506		A
560 (Motore Rotax)		A

REAL	Year	A/P
NEVADA 80 SPORT		A

RIXE	Year	A/P
RS 80 W		A

SACHS	Year	A/P
SA 80 LOTUS		A

ZUNDAPP	Year	A/P
KS 50 SPORT		A
KS 50 SUPER SPORT		A
KS 100		A

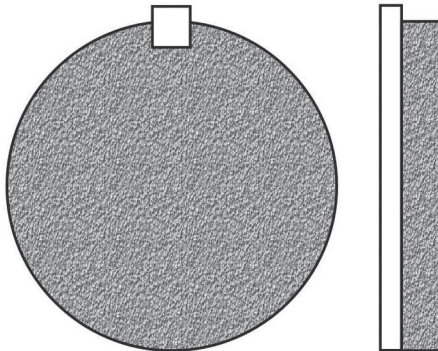
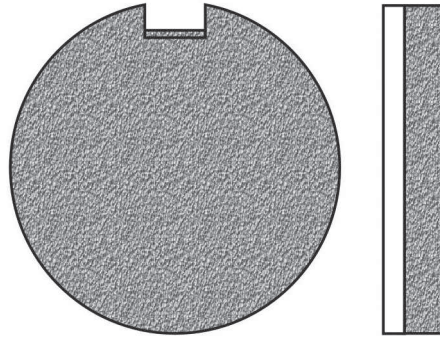
ZWEIRAD ROTH	Year	A/P
REBEL 50 SPORT		A
REBEL 80 SPORT		A

FD0034

BT

D1 (mm): 43,5x8 (Øxsp.)

D2 (mm): 43,5x45,5x8 (lhxsp.)



HYOSUNG	Year	A/P
CRUISE 125 II	99->	A
CRUISE 125 II CLASSIC	99->	A
CRUISER 125	92->	A
GA 125	98->	A
GF 125	98	A
GS 125	99->	A
TN 125	92->	A

KREIDLER	Year	A/P
FLORETT 80 E		A
FLORETT 80 L		A
RS 125	80->	A

SUZUKI	Year	A/P
GP 125	78->84	A

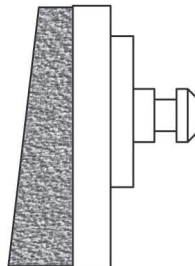
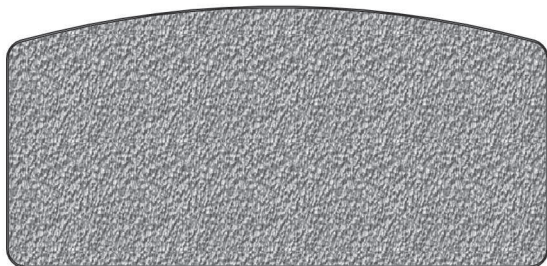
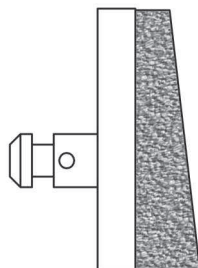
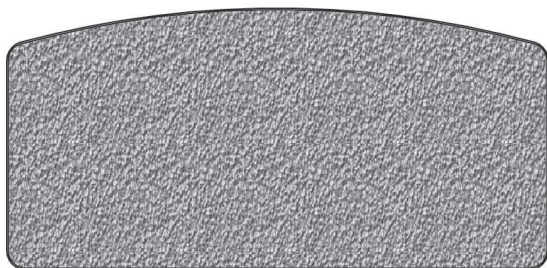
FIGURATO PASTIGLIE CON APPLICAZIONI | BRAKE PADS DRAWINGS AND APPLICATIONS | DESSINS PLAQUETTES AVEC APPLICATIONS
DISEÑOS PASTILLAS CON RELACION | ZEICHNUNGEN VON BREMSBELÄGE MIT VERWENDUNGSLISTE



FD0036
BT

D1 (mm): 72x35x13,5 (lxhxsp.)

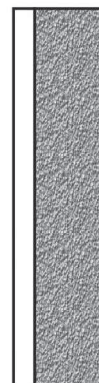
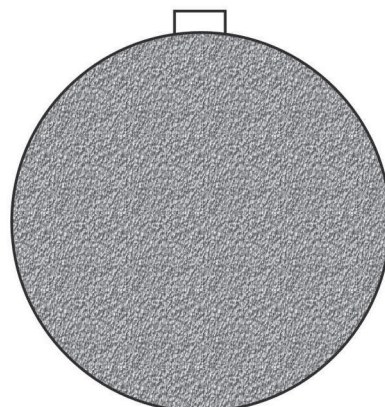
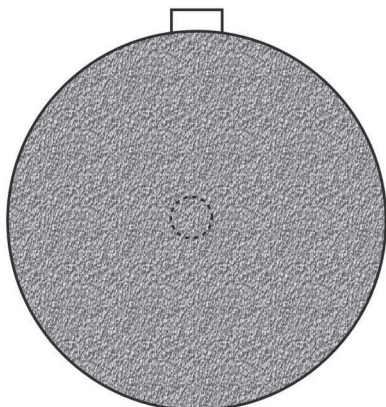
D2 (mm): 72x35x13,5 (lxhxsp.)



BMW	Year	A/P
R 60/7 600	76->80	A
R 75/5 750	76->80	A
R 75/6 750	73->76	A
R 75/7 750	75->79	A
R 80 800 (single disc)	77->84	A
R 80 800 (twin disc)	77->84	A
R 80 TIC 800 (21_0072 - 2474)(a 09/80)	77->80	A
R 90 900	73->76	A
R 90 S 900	73->76	A
R 90/6 900	73->76	A
R 100 1000 S	76->80	A
R 100 RS 1000 (21_0072 - 2474)(a 09/80)	76->80	A
R 100 RT 1000 (21_0072 - 2474)(a 09/80)	78->80	A
R 100/7 1000	76->77	A
R 100/7T 1000 (21_0072 - 2474)(a 09/80)	77->80	A

FD0038
BT

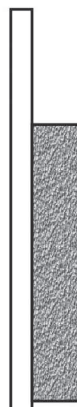
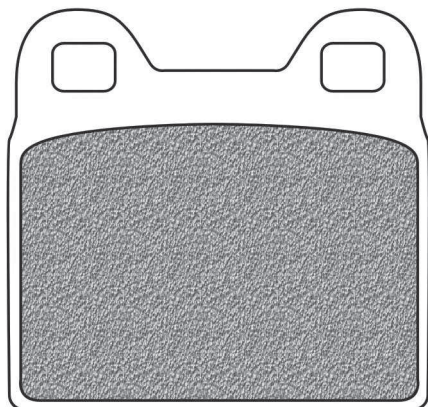
D1 (mm): 50x12 (Øxsp.)



SUZUKI	Year	A/P		Year	A/P
GT 125	78->79	A	GS 500	81->	A
GT 200	79->82	A	RE 500	75->76	A
GT 250 EN - ET - EX	79->81	A	GS 550 B - C - D	77->78	A
			GS 550 EC - EN	78->79	A
			GS 850	79->81	A
			GS 1000 HC - SN	78->79	A

FD0039
BT

D1 (mm): 56x53x8,9 (lxhxsp.)

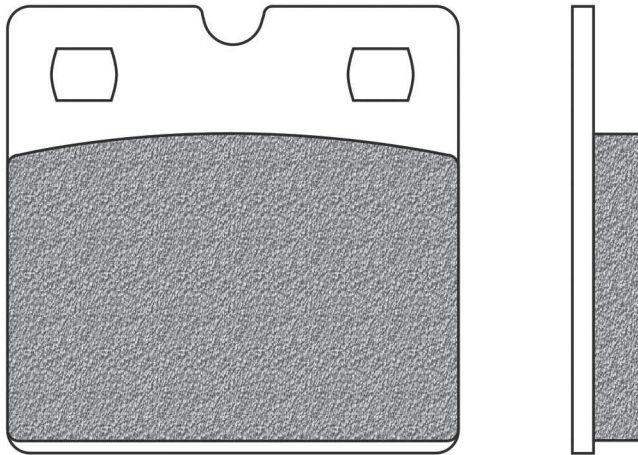


BMW	Year	A/P
R 45 450 (21_0068 - 248)(a 09/80)	78->80	A
R 45 N 450 (21_0068 - 248)(a 09/80)	78->80	A
R 65 650 (21_0068 - 248)(a 09/80)	78->80	A
R 100 CS 1000	80->84	A

FD0044

BT

D1 (mm): 60x59x9 (lxh x sp.)



APRILIA	Year	A/P
ST 125	87->	A
STX 125	86->	A

BENELLI	Year	A/P
SEI 900	78->	P

BMW	Year	A/P
R 65 650 (21_0067 - 248)(da 09/80)	80->85	A
R 65 650 20 KW	85->93	A
K 75 S 750	94->95	A / P
R 80 GS 800	87->95	A
R 80 GS 800 PD	90->95	A
R 80 R 800 (single disc)	84->95	A
R 80 RT 800 (single disc)	84->95	A
R 850 GS	96	A
R 100 GS 1000	86->94	A
R 100 GS 1000 PD	89->96	A

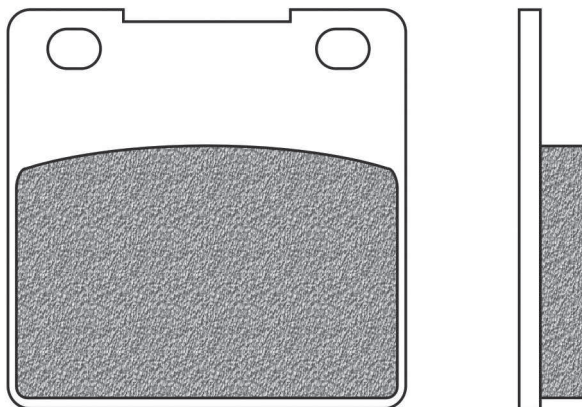
MOTO GUZZI	Year	A/P
SP 1000	79->83	P

TRIUMPH	Year	A/P
BONNEVILLE 750	84->	A

FD0045

BT

D1 (mm): 53x53x11 (lxh x sp.)

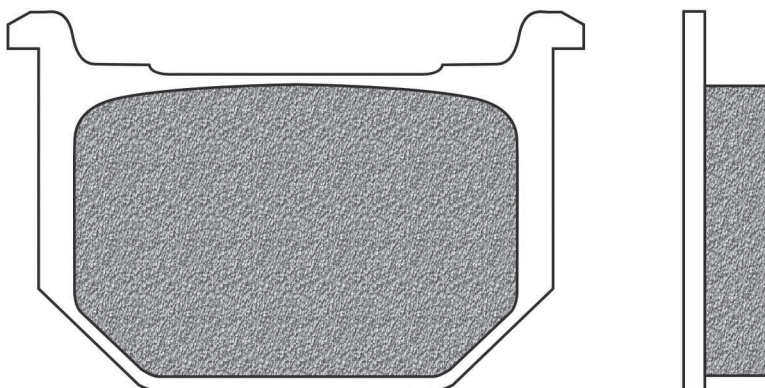


HONDA	Year	A/P
CB 250	78->82	A
CB 250 RSA - RSD - RSE	81->	A
CM 250 TB	81	A
CB 400 A - HAWK	78->	A
CB 450 N	85->	A
CB 650 A - Z	79->81	A
CB 750	80	A

FD0046

BT

D1 (mm): 76x50x11,5 (lxh x sp.)



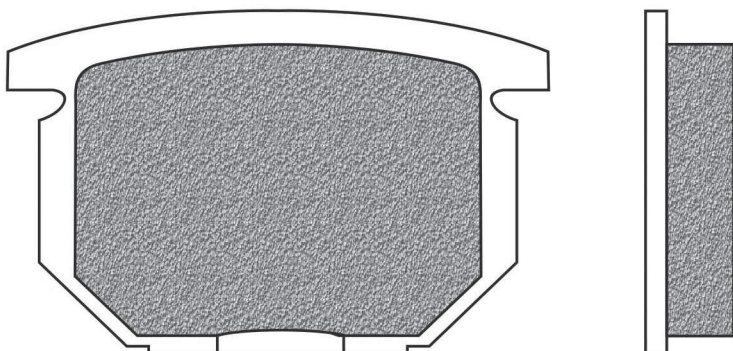
SUZUKI	Year	A/P
GN 250	85->97	A
GNX 250 E	83->	A
GS 250 E	80->81	A
GSX 250	80->82	A
GN 400 TT	80->	A
GSX 400 ET - EX - EZ	80->82	A
GS 450 E	80->88	A
GS 700 E - ES	85	A
GV 700 GL	85->	A
GV 700 GL MADURA	84->	A
GSX 750 S KATANA	80->86	A
GS 850	82->85	A
GS 1000 GT - GX	80	A
GS 1100 GZ	82	A
GV 1200 GL MADURA	85->86	A

FIGURATO PASTIGLIE CON APPLICAZIONI | BRAKE PADS DRAWINGS AND APPLICATIONS | DESSINS PLAQUETTES AVEC APPLICATIONS |
 DISEÑOS PASTILLAS CON RELACION | ZEICHNUNGEN VON BREMSBELÄGE MIT VERWENDUNGSLISTE



FD0047
TS

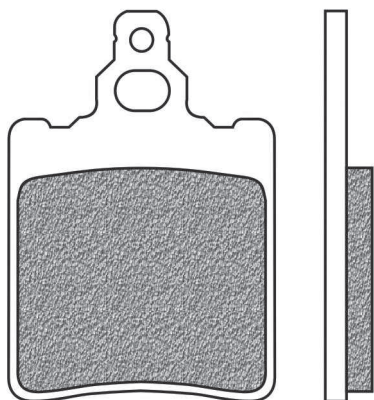
D1 (mm): 72x45x10,5 (lxhvsp.)



SUZUKI	Year	A/P
GS 550 ET - EX - EZ	80->84	A
GS 650 GTX - GTZ - GX	81->83	A
GS 650 GZ KATANA	81->82	A
GS 650 TURBO	83->	A
GS 1000 ET	81	A
GSX 1000 S KATANA	82	A
GSX 1100	80->82	A
GSX 1100 KATANA	83	A

FD0048
BA | BT

D1 (mm): 35,5x51,5x6 (lxhvsp.)



GARELLI	Year	A/P
GTA 125	86	A / P

GILERA	Year	A/P
NGR 250	85->	A

HRD	Year	A/P
FORMULA 125 LS	86->	A / P
PLATINO 125 SL	86->	A / P
SILVER 125 HOUSE	86->	A / P

JCM	Year	A/P
VEGA 233	88->	P
EUROPA 325	89->	P
VEGA 333	88->	P

KTM	Year	A/P
SX 65	98->03	P
MX 80	00->02	P

KYMCO	Year	A/P
B 125 FREEWAY	93->95	A

LAVERDA	Year	A/P
125 (pinza Brembo)	82->	A
GS 125 LESMO	90->	A / P
LB 125 CUSTOM		A
LB 125 STRADA		A
LB 125 UNO		A

MALAGUTI	Year	A/P
ES 50 DUNE	89->	A / P

MALANCA	Year	A/P
MARK 125	85->	A
OB ONE 125 6M	85->	A / P
OB ONE 125 RACING	85->	A / P

PUCH	Year	A/P
CROSS 250	86->	P

APRILIA	Year	A/P
AFI 50	89	P
AFI 50 AE all models	87->88	P
AFI 50 EUROPA	90->92	P
AFI 50 FUTURA	90->92	P
ET 50 AE	87->	P
EUROPA 50	91->92	P
MX 50	03->05	P
MX 50 MOTARD	95->03	P
RS 50	96->05	P
RS 50 REPLICIA	03->05	P
RX 50	89->91	P
TUAREG 50 RALLY	90->92	P
CLIMBER 240	88->90	P
CLIMBER 275	89->92	P

BETA	Year	A/P
ALP 350 4.0	03	P
MOTARD 350 4.0	03	P

CAGIVA	Year	A/P
BLUES 50	89->	P
COCIS 50	88	P
LUCKY EXPLORER 50	88->	P
W4 PRO ACTION 50	94->	P
COCIS 80	89->	P
W4 PRO ACTION 80	94->	P
ALETTA 125 ELECTRA	->83	A

ALETTA 125 ELECTRA CLASSIC	87->	A
ALETTA 125 ELECTRA ruota integrale	88->	A
ALETTA 125 ORO S2	86->	A / P
BLUES 125	93->	P
CRUISER 125	87->	P
DAKAR 125	85->	A
ELEFANT 125	->86	A
GP 125 S ALETTA ORO	85->	A / P
N 125	91->	P
SST 125 LOW RIDER	83->	A
SST 125 ruota integrale	81->	A
SST 125 ruota raggi	81->	A
SXT 125	82->	A
TAMANACO 125	88->	P
WSXT 125 ALETTA ROSSA	83->	A
XSST 125	81->	A
ELEFANT 200	85	A
ELEFANT 200 A.E.	86->	A

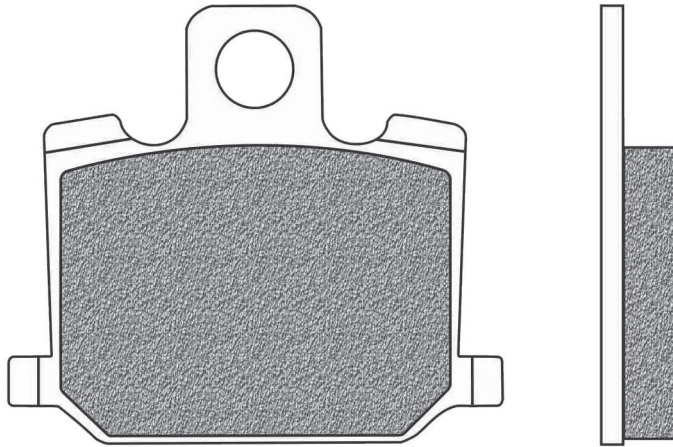
DERBI	Year	A/P
GPR 50 SPORT	96->01	P
GPR 75 SPORT	90	P

FANTIC	Year	A/P
CABALLERO 50 RC	90->	P
KOALA 50	87->	A / P
RAIDER 125	83->	A
RAIDER 125 LC	83->	A

FD0050

BT

D1 (mm): 65x59,5x10 (lxhxsp.)

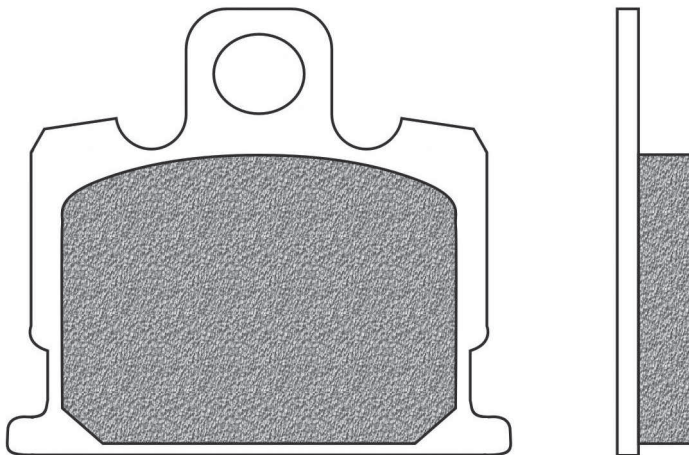


YAMAHA	Year	A/P
RD 250 LC	80	A
RD 350 LC	80	A

FD0051

BT

D1 (mm): 66,5x59x10 (lxhxsp.)

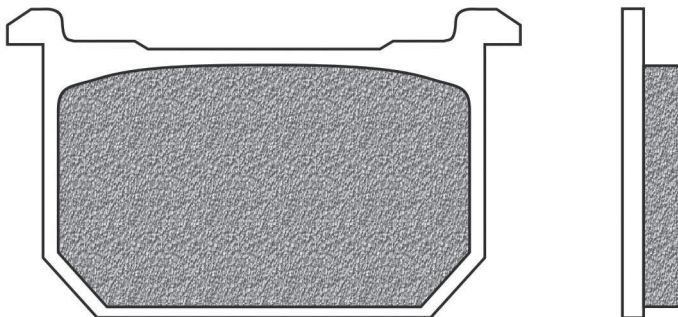


YAMAHA	Year	A/P
RD 50 MX	81->87	A
RD 80 AIR COOLED	82	A
RX 80 SE	82->	A
RD 250 LC	81->83	A
RZ 250 (4L3)		A
RD 350 LC	81->82	A
XJ5 550	81->84	A
XJ5 550 MAXIM	81->84	A
XJ5 550 SECA	81->83	A
XJ 750 SECA	81->83	A
XV 1000 SE MIDNIGHT SPECIAL	83->	A
XS 1100 S	81->	A

FD0052

BT

D1 (mm): 68x41x8 (lxhxsp.)



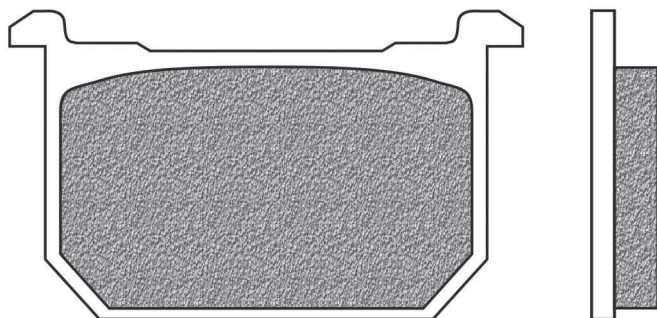
KAWASAKI	Year	A/P
GPZ 400	83->84	A
Z 400 J2 - J3	81->83	A
Z 500	81->83	A
Z 550 A3 - C1 - C2 LTD	80->	A
Z 550 GP D1 - H1 - H2	81->83	A
Z 650	81->83	A
Z 700 A1 LTD	84	A
GPZ 750 R	82	A
GT 750	82->96	A
Z 750	80->84	A
Z 750 SPECTRE	82->83	A
Z 750 Y1 LTD	82	A
Z 1000 J1/J2/J3	81->83	A
Z 1000 LTD	81->83	A
GPZ 1100 (ZX 1100)	81->82	A
Z 1100	81->83	A
Z 1100 SPECTRE - LTD	82->83	A/P

FIGURATO PASTIGLIE CON APPLICAZIONI | BRAKE PADS DRAWINGS AND APPLICATIONS | DESSINS PLAQUETTES AVEC APPLICATIONS |
DISEÑOS PASTILLAS CON RELACION | ZEICHNUNGEN VON BREMSBELÄGE MIT VERWENDUNGSLISTE



FD0053
BT

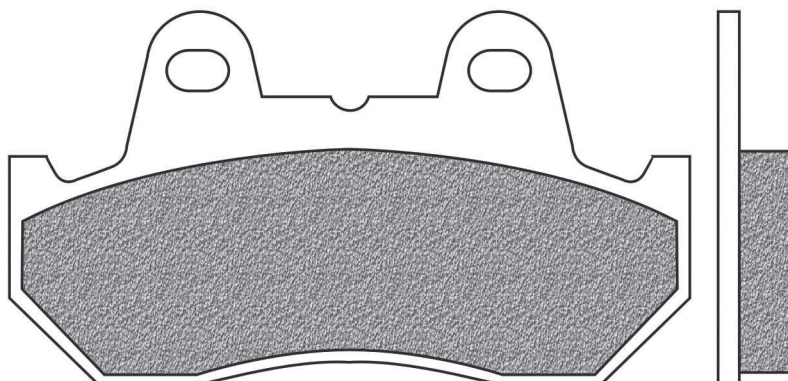
D1 (mm): 68x41x9,5 (lhxsp.)



KAWASAKI	Year	A/P
Z 250	81->	A
GPZ 400	83->84	P
Z 440	81->83	A
Z 440 LTD	83->84	A
Z 500	81->83	P
Z 550 GP D1 - H1 - H2	81->83	P
Z 700 A1 LTD	84	P
GPZ 750 R	82	P
GT 750	82->96	P
Z 750	80->84	P
Z 750 SPECTRE	82->83	P
KZ 1000 all models	82->90	A / P
Z 1000 J1/J2/J3	81->83	P
Z 1000 LTD	81->83	P
GPZ 1100 (ZX 1100)	81->82	P
Z 1100	81->83	P

FD0054
BA | BT | TS

D1 (mm): 90x49,5x10,3 (lhxsp.)



HONDA	Year	A/P
CB 125 TDJ	87->89	A
CBX 250 RSE	84	A
CN 250 HELIX	86->87	A
NS 250	84->	A / P
NSR 250	86->	P
NSR 250 R	86->87	P
CBR 400 R HURRICANE	86	P
CBX 400 C	83->	P
FT 400	82->	A / P
NS 400 R	85->87	P
NV 400 CUSTOM	88->	P
NV 400 SP CUSTOM		P
VF 400 F INTEGRA	82	P
VFR 400 R	85->86	P
CMX 450 CG REBEL	86->	A
CBR 500 F	87->90	P
CX 500	82->85	A / P
CX 500 T (TURBO)	83->	A / P
FT 500 C	82->	A / P
GL 500 DC	82	A
GL 500 SILVER WING INTERSTATE	82->	A
VF 500 F	84->85	A / P
VT 500 CD - FT	82	A

XBR 500	85->89	A
CBR 600 F	87->90	P
CBX 600 E	85->	A
XL 600 L	85->87	A
XL 600 VTRANSALP	87->90	A
CB 650 SCC NIGHTHAWK	82	A
CB 650 SCD	83->	A
CBX 650 ED	83->	A
CX 650 ED	83->85	A
CX 650 TD (TURBO) E	83->	A / P
GL 650	84->	A
CB 700 SC NIGHT HAWK	84->	A
VF 700 C MAGNA	84->	A
VF 700 F INTERCEPTOR	84->85	A
VF 700 S SABRE	84->	A
VT 700 C SHADOW	87->	A
B 750 EC - ED - F2 - F2D	82->	A / P
CB 750 F	83->84	A / P
CBR 750 SUPER AERO	87	P
CBX 750 FE	83->85	A / P
VF 750 C SHADOW	83	A
VF 750 SABRE	82	A / P
VFR 750 F INTERCEPTOR	86->87	P
VT 750 C SHADOW	86->96	A

XLV 750 R	83->88	A
VT 800 C	88->	A
CB 900 F	82->85	A / P
CBX 1000 B - C	81->	A / P
VF 1000 F	84->86	A / P
VF 1000 R	84->86	A
CB 1100 F	83->85	A / P
CBX 1100 F	82->	P
GL 1100	82->	A / P
GL 1100 DX	82->	A / P
VT 1100 C MAGNA	83->	A / P
VT 1100 C SHADOW	87->93	A
GL 1200	84->87	A / P
GL 1500 GOLDWING	88->00	P
GLX 1500	88->	P
GL 1520	88->	A / P

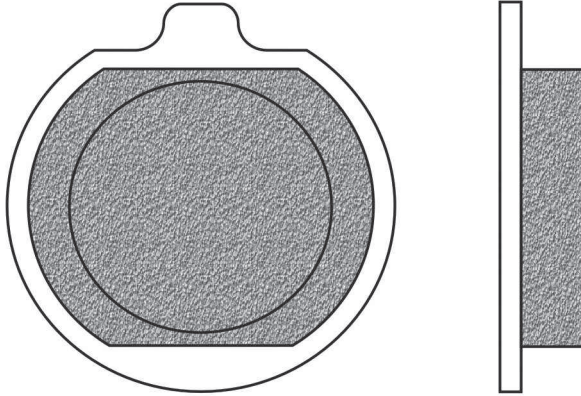
KAWASAKI	Year	A/P
VT 800 C	88->	A

SYM	Year	A/P
BULLET 110	93->	A
AERO WOLF 125		A

FD0055

BT

D1 (mm): 51,5x11 (lxhxsp.)



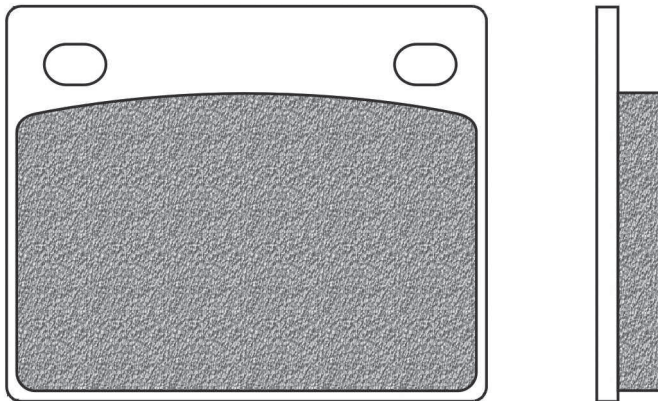
KAWASAKI	Year	A/P
Z 1000 SHAFT - ST	79->82	A
Z 1300	79->83	A
ZG 1300 DF1	84->86	A

FIGURATO PASTIGLIE CON APPLICAZIONI | BRAKE PADS DRAWINGS AND APPLICATIONS | DESSINS PLAQUETTES AVEC APPLICATIONS |
DISEÑOS PASTILLAS CON RELACION | ZEICHNUNGEN VON BREMSBELÄGE MIT VERWENDUNGSLISTE

FD0057

BT

D1 (mm): 63,5x52,5x8,5 (lxhxsp.)



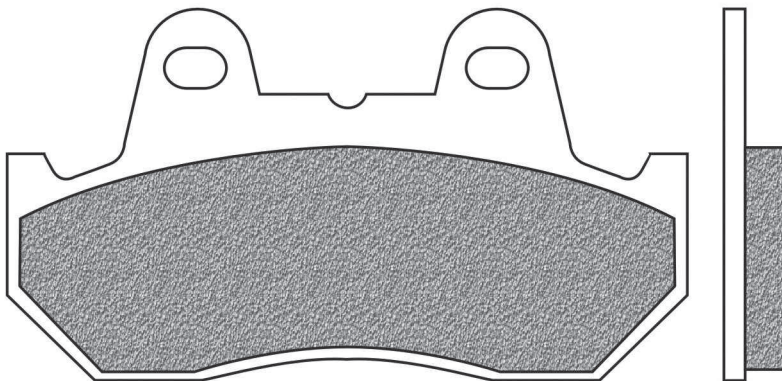
KAWASAKI	Year	A/P
KR 350	82->	A

SUZUKI	Year	A/P
RG 500	->83	A / P

FD0058

BT

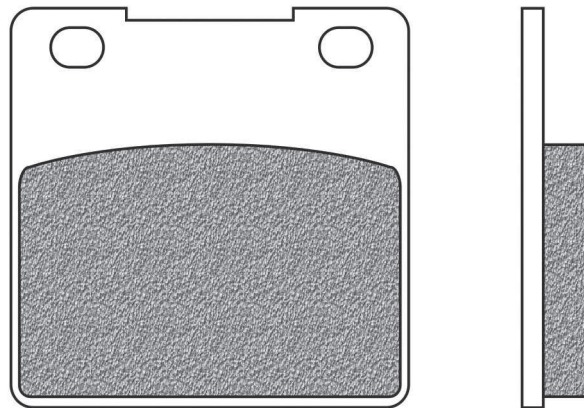
D1 (mm): 90x49x9 (lxhxsp.)



HONDA	Year	A/P
CN 250	90->94	A
VT 250 F2	82	A
CBX 400 N/F	83->	A
CBX 400 C	83->	A
NS 400 R	85->87	A
VF 400 F INTEGRA	82	A
VF 700 F INTERCEPTOR	84->85	P
VFR 700 F/F2 INTERCEPTOR	86->87	P
CBR 750 F HURRICANE	87	P
VF 750 CH	87	A
VFR 750 C V45 MAGNA	88->	A
CBR 1000 F	87->88	P
CBR 1000 R HURRICANE	87->88	P
CB 1100 R	80->83	A / P
CBX 1100 F	82->	A

FD0060
BT | TS

D1 (mm): 53x53x9 (lxhxsp.)



HYOSUNG	Year	A/P
GT 250 COMET	02	P
COMET 600	02	P

KAWASAKI	Year	A/P
ZX 400 L	92	P
ZX-4 400	90	P
ZXR 400	89->90	P
ZXR 400 (ZX 400L) RR	92->02	P
ZXR 400 R	91->94	P
ZXR 750	89->90	P
ZXR 750 L	93->95	P
ZXR 750 R	91->95	P
KRF 800 TERYX 4	14->17	P
KRT 800 TERYX 4	14->17	P
ZRX 1100	96->00	P
ZRX 1100 C1	97->00	P
ZRX 1200 R - S	01->08	P
ZX-12R 1200 NINJA	00->06	P
ZZR 1200	02->04	P

SUZUKI	Year	A/P
RG 50 GAG - GAMMA	87->	A
ACROSS 250	90->98	P
COBRA 250	89->90	P
GF 250 S	86->	P
GOOSE 250	92->	P
GS 250 FW	84->	A / P
GSF 250 BANDIT (GJ74A)	92->96	P
GSF 250 BANDIT (GJ77A)	95->00	P
GSX 250	87	P
GSX 250 ACROSS	90->98	P

GSX 250 S KATANA	91	P
GSX-R 250	87->89	P
GSX-R 250 R	89	P
RG 250 F GAMMA	85->88	P
RG 250 W GAMMA	83	A / P
RGV 250	88	P
RGV 250 K	89->90	P
TV 250 WOLF	88->90	P
SG 350 GOOSE	92	P
GSF 400 BANDIT	91->97	P
GSF 400 S KATANA	89->94	P
GSX 400	97->99	P
GSX 400 (GK74A)	88->90	P
GSX 400 FWS - D - E - S	83->	A / P
GSX 400 IMPULSE TYPE S	94->96	P
GSX 400 INAZUMA	00	P
GSX 400 KATANA	92->	P
GSX 400 R2 (GK71B)	85->86	P
GSX 400 R3 (GK71F)		P
GSX 400 X IMPULSE	86->88	P
GSX-R 400	87->90	P
GSX-R 400 (JAPAN)	85->	A
GSX-R 400 R	90->95	P
RF 400 RVC	93->97	P
RG 400 WALTER WOLF	85->87	P
SV 400	98	P
SV 400	99->02	P
GS 450 S	87->	P
GS 500	96->03	P
GS 500 E	89->95	P
GS 500 F	04->08	P
RG 500 RF GAMMA	85->87	P

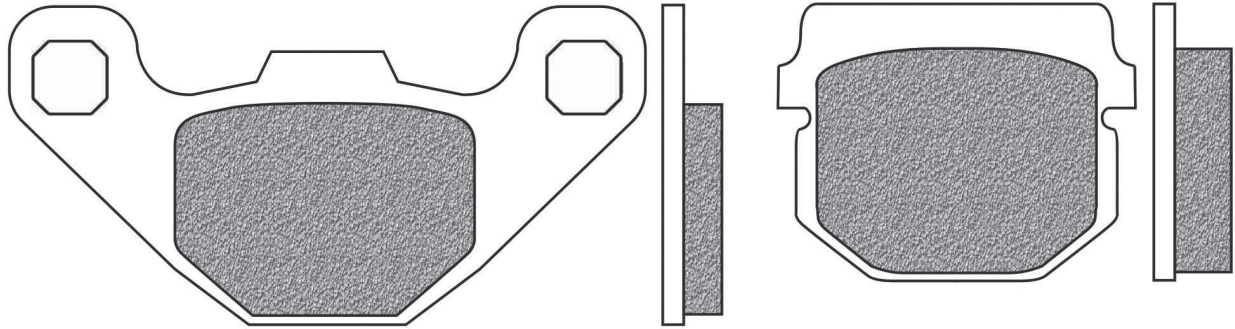
GSX 550 ES - ESE	84->87	A / P
GSF 600 BANDIT	95->04	P
GSX 600 F	98->06	P
GSX 600 F KATANA	88->97	P
GSX-R 600	->03	P
RF 600 RR	93->96	P
SV 650	99->02	P
SV 650 S	99->02	P
GSX 750 F	89->06	P
GSX-R 750	88->03	P
GSX-R 750 F	85->87	P
GSX-R 750 SP	93->95	P
GSX-R 750 T SRAD	96->99	P
GT 750 RF	85->	P
VX 800	90->92	P
RF 900 RT - RV	96->99	P
GSX 1000 G	96->	P
TL 1000 R	98->03	P
TL 1000 S	97->02	P
GSX 1100	91->92	P
GSX 1100 F	93->	P
GSX-R 1100	86->96	P
GS 1200 SS K1	01->	P
GSF 1200 BANDIT	96->05	P
GSF 1200 S BANDIT	97->05	P
GSX 1200 X	99->01	P
GSX-R 1300 FALCON	99	P
GSX-R 1300 HAYABUSA	99->07	P

FD0061

BT

D1 (mm): 85x42,5x7,8 (lxhxsp.)

D2 (mm): 47,5x37x10 (lxhxsp.)



HONDA	Year	A/P
MB 80	80->	A
MCX 80 all models	82->	A

KAWASAKI	Year	A/P
KDX 125	90->94	A

MALAGUTI	Year	A/P
CENTRO 50 4T	08	A
CENTRO 50 SL 4T	10	A
F 10 50 AC ECO	09->10	A

F 12 R 50 PHANTOM AC	09->10	A
F 12 R 50 PHANTOM LC	01->05	A

PEUGEOT	Year	A/P
VIVACITY 50 (pinza HengTong)	05->	A
VIVACITY 100 (pinza HengTong)	05->	A

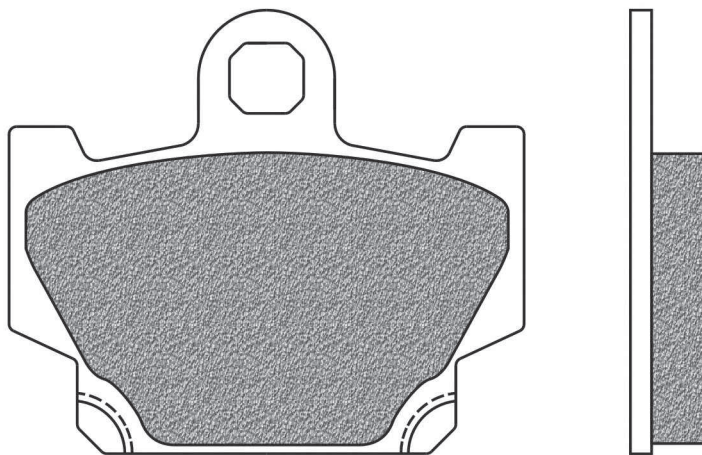
SIAM	Year	A/P
MAT 50	97->	A
MAT 100	97->	A

SUZUKI	Year	A/P
AH 80	92->	A
RM 80	86->89	A
RM 85	02->04	P
ADDRESS 100 AH	95->	A
AN 125	06->08	A

FD0062

BT

D1 (mm): 68x59x10 (lxhxsp.)



YAMAHA	Year	A/P
DT 80 LC1 (37A)	81->84	A
RD 80 LC1	82	A
RD 80 LC2 - LCS	82	A
RX 115	99	A
RD 125 LC	82->84	A
SR 125 SE	92->96	A
RX 135	81	A
XV 240 VIRAGO	91->92	A
RZ 250 R (29L)		A
SR 250 CLASSIC	96->00	A
SR 250 E (España)	90->	A
XV 250 VIRAGO	89->94	A
RD 350 YPVS	83->84	A
XS 400	82->	A
XT 500 (Austria)	83->	A
XV 500 SE	83->	A
XZ 550	82->84	A
XZ S 550	85->	A
XT 600 4 VALVES	84->86	A
XT Z 600 TENERE	83->84	A
XJ 650	80->84	A
XJ 650 SECA	83	A
XJ 650 TURBO	83->	A

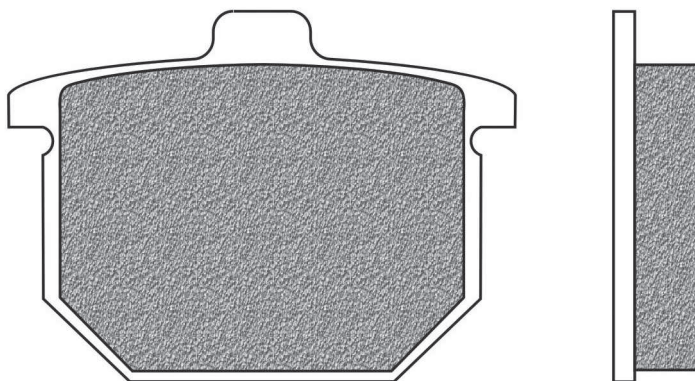
FIGURATO PASTIGLIE CON APPLICAZIONI | BRAKE PADS DRAWINGS AND APPLICATIONS | DESSINS PLAQUETTES AVEC APPLICATIONS |
 DISEÑOS PASTILLAS CON RELACION | ZEICHNUNGEN VON BREMSBELÄGE MIT VERWENDUNGSLISTE



FD0064

BT

D1 (mm): 67x49x11 (lhxsp.)



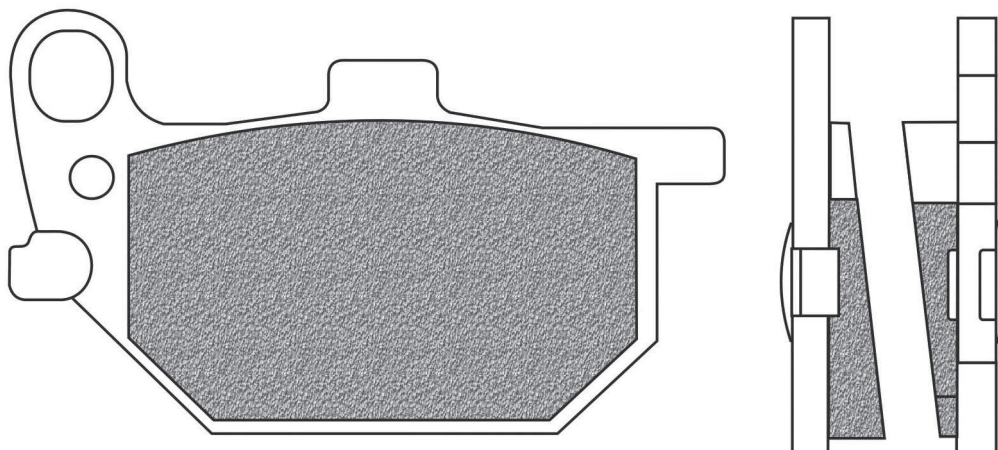
HONDA	Year	A/P
CX 500	79->81	A
CBX 1000	77->80	A
GL 1000 K GOLDWING	78	A
GL 1000 Z GOLDWING	79	A

FD0065

BT

D1 (mm): 94,5x56x12 (lhxsp.)

D2 (mm): 94,5x56x7,5 (lhxsp.)



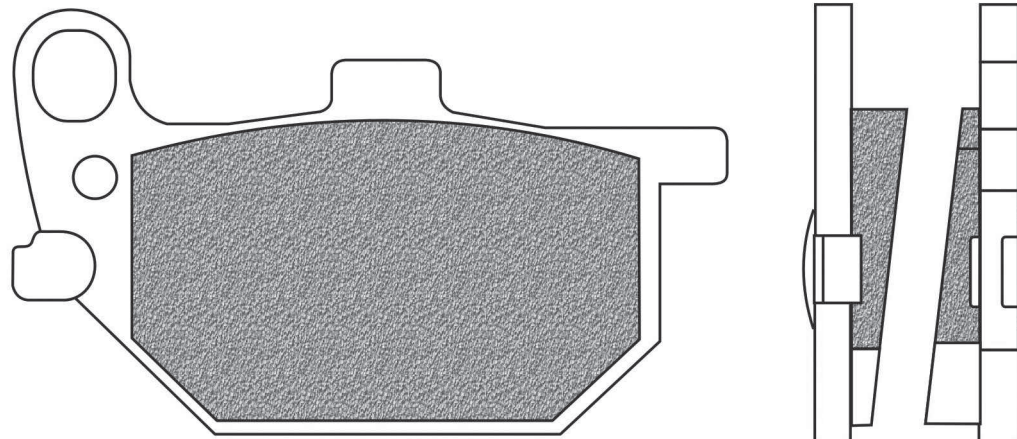
YAMAHA	Year	A/P	RD 400 E - F	Year	A/P
RD 250	78->79	A/P	XS 400 SE	80->81	A
XS 250 SE - SF SPECIAL	79->81	A			

FD0066

BT

D1 (mm): 94,5x56x12 (lhxsp.)

D2 (mm): 94,5x56x7,5 (lhxsp.)

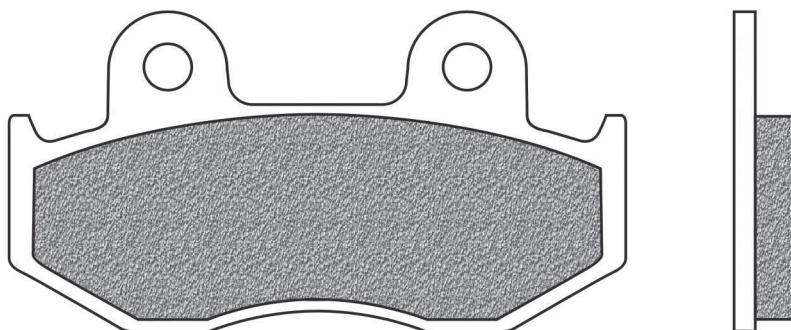


YAMAHA	Year	A/P	XS 750 SE	Year	A/P
XJ 650 MAXIM	80->83	A	XV 750 SE	81->	A
XJ 650 MIDNIGHT	81	A			

FD0067

BD | BT | SD

D1 (mm): 81,5x42,5x8 (lxhxsp.)



RX 250 RE	84->	A
TRX 250 R FOURTRAX	86->89	P
TRX 250 X	86->89	P
XL 250 R	84->87	A
XLR 250 R	85->88	A
XR 250 R	84->89	A
ATC 350 X	85	A
XL 350 R	85->	A
XLX 350	89->	A
XR 350 R	83->84	A
CR 500 R	84->85	A
XR 500 R	83->85	A
XL 600 LD - PARIS DAKAR	83->	A
XL 600 R	83->87	A
XR 600 R	85->87	A

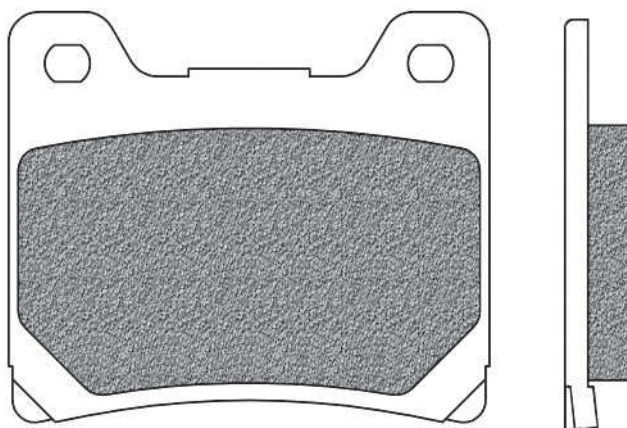
FIGURATO PASTIGLIE CON APPLICAZIONI | BRAKE PADS DRAWINGS AND APPLICATIONS | DESSINS PLAQUETTES AVEC APPLICATIONS
 DISEÑOS PASTILLAS CON RELACION | ZEICHNUNGEN VON BREMSBELÄGE MIT VERWENDUNGSLISTE

HONDA	Year	A/P			
CR 50 R	86->	A	ATC 250 R	85->86	A / P
CR 80 R	86	A	CH 250 ELITE	85->86	A
CR 125 R	84->85	A	CH 250 SPACY	85->	A
MTX 125 R	85->86	A	CN 250	88->89	A
XL 125 R	84->86	A	CN 250 ELITE	85->86	A
MTX 200 RW	85->86	A	CN 250 HELIX-FUSION	92->	A
FTR 223 Y/2/A2 (MCS4)	00->02	A	CR 250 R	84->85	A
			FTR 250	86->	A / P

FD0068

BT | TS

D1 (mm): 64x54,5x9 (lxhxsp.)

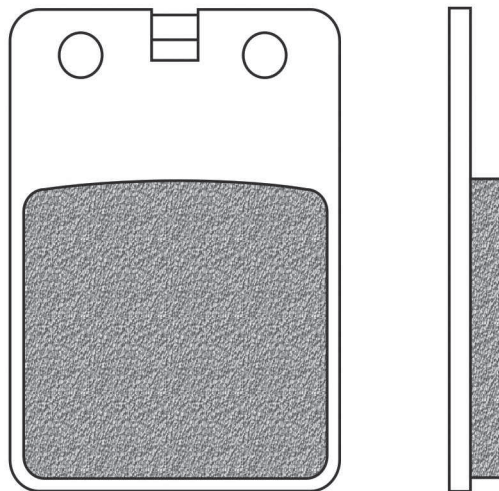


YAMAHA	Year	A/P			
125 BIKAN	91->	P	FZR 750 (OW01)	89->91	P
TZR 125	90->92	A	FZR 750 GENESIS	87->	P
YD 250 S	91->	A	FZX 750	88->	A / P
RD 350 YPVS	83->84	P	TZR 750 W	89->	P
FZ 400 N	85	A	XJ 750	82->84	A / P
FZR 400 GENESIS	86	A	XV 750 VIRAGO	92->93	A
SRX 400	85->86	A	YZ-F 750 RR-SP	93->98	P
SRX 400	90->96	P	TDM 850	91->01	P
XJR 400	97->99	P	TRX 850	96->97	P
RD 500 LC	84->86	A	XJ 900	83->90	A / P
RD 500 YPVS LC	87->	A	XJ 900 F	85->92	A / P
RZV 500 R (51X)	85	A	XJ S 900 DIVERSION	95->03	P
FZ 600	87->88	A	FZR 1000 EX-UP	91->93	P
FZR 600	89	A	FZR 1000 GENESIS	86->89	P
FZR 600	89->95	P	FZR 1000 R	94->95	P
FZR 600 R	94->95	P	FZR 1000 R - EX-UP	89->90	P
XJ 600	83->91	A / P	GTS 1000	93->99	P
YX 600 RADIAN	86->90	A	XV 1000 SE VIRAGO	88	A
YZ-F 600 R THUNDER CAT	96->04	P	XV 1000 VIRAGO	86	A
FZ 750	85->86	A / P	YZ-F 1000 R THUNDER ACE	96->01	P
FZ 750 GENESIS	87->92	A / P	BT 1100 BULLDOG	02->06	P
			EJ 1100 J	84->85	A / P
			XV 1100 VIRAGO	86->93	A
			XV 1100 VIRAGO	99->00	P
			XVS 1100 A DRAG STAR CLASSIC	00->06	P
			XVS 1100 DRAG STAR	99->04	P
			1200 VENTURE	84->	A / P
			1200 VENTURE ROYALE	87->	A / P
			FJ 1200	86->87	A
			FJ 1200	86->91	P
			FJ 1200 ABS	91->95	P
			V-MAX 1200 (YMX 12N)	91->92	A
			V-MAX 1200 (YMX 12N)	91->03	P
			XJR 1200	94->97	P
			XVZ 1200 12 TD	88->	A / P
			XJR 1300	99->01	P
			XJR 1300 SP	01	P



FD0069
BT

D1 (mm): 44x64x7 (lxhxsp.)



FANTIC	Year	A/P
SPORT 125	->84	A
SPORT 125 MK II	->84	A
SPORT 125 MK II (f.a.tel.1706338)	85->	A
STRADA 125 (FM. 4000-A)	83->	A

GARELLI	Year	A/P
TSR 125		A

GILERA	Year	A/P
RV 125	83->	A
RV 200	85->86	A

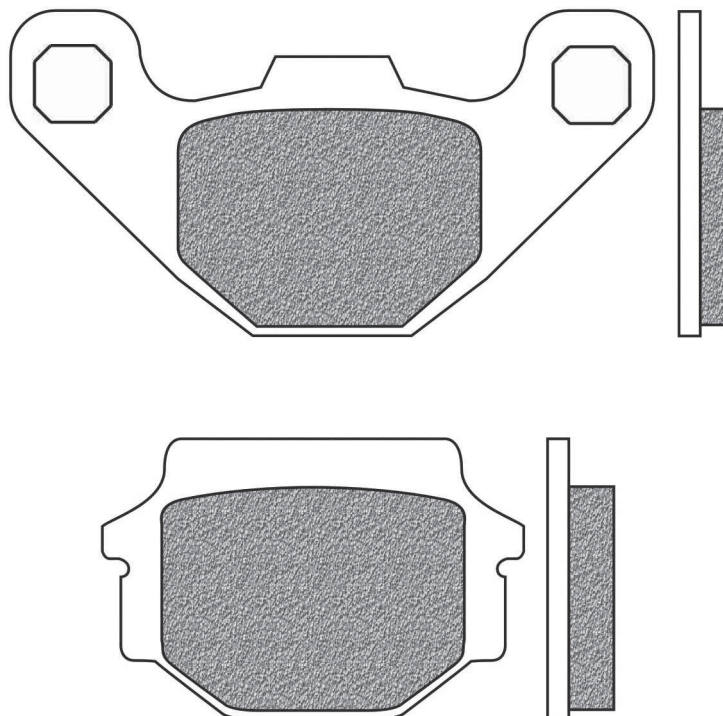
MOTO MORINI	Year	A/P
K2 350	84->	A

PUCH	Year	A/P
MAXI 80	88->	A

FD0071
BT

D1 (mm): 85x43x6,2 (lxhxsp.)

D2 (mm): 56x37x8,5 (lxhxsp.)



APRILIA	Year	A/P
MX 125	04->08	P
PEGASO 650 3	97->00	P

FANTIC	Year	A/P
RAIDER 50	81->85	A
RAIDER 50 0,1	86->	A
STRADA 50 (FM. 240)	82->	A

KRAM IT	Year	A/P
ER 125 RV 3	88->93	P
ER 250 RV 3		P
MC 250	89	P
ER 300 RV 3	88->	P

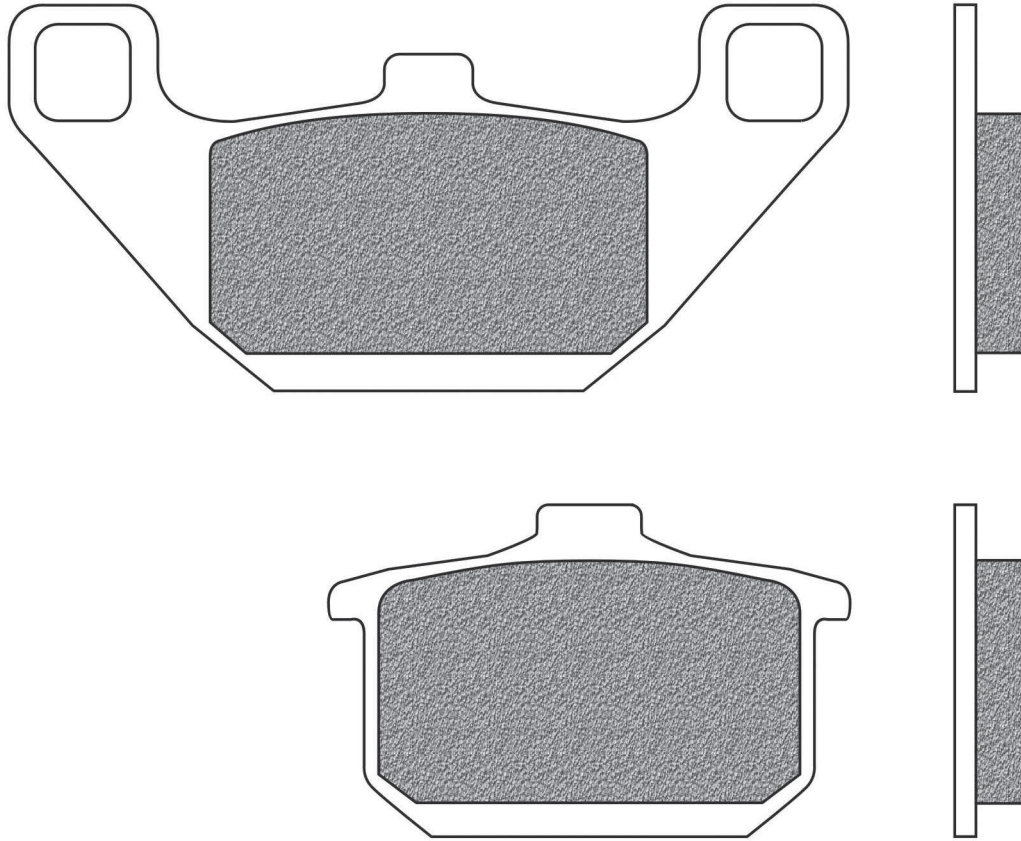
KTM	Year	A/P
EXC 125	90->91	A
EXC 125 (pinze Brembo)	89	A
MX 125 (pinze Brembo)	89->93	A

MALAGUTI	Year	A/P
MEX 50 ENDURO	86->	A

TM	Year	A/P
CROSS 400	->00	P

D1 (mm): 111x51x9,5 (lxhxsp.)

D2 (mm): 69x43,5x9,8 (lxhxsp.)



FIGURATO PASTIGLIE CON APPLICAZIONI | BRAKE PADS DRAWINGS AND APPLICATIONS | DESSINS PLAQUETTES AVEC APPLICATIONS |
DISEÑOS PASTILLAS CON RELACION | ZEICHNUNGEN VON BREMSBELÄGE MIT VERWENDUNGSLISTE

HYOSUNG	Year	A/P
GA-4 50	99->	A
GA 300	98->	A

KAWASAKI	Year	A/P
EL 250	90->03	A
EL 250 ELIMINATOR	87->89	A
ER 250 (Z 250 T SCORPION)	83->88	A
EX 250 NINJA	86->87	A / P
GPX 250 R (EX E)	86	A / P
GPZ 250	85->	P
KR 250	84->86	P
LX 250 ELIMINATOR - SE	90->	A
Z 250 GP BELT DRIVE	83->	A
EL 252	97->00	A
FX 400 R (ZX 400)	85->88	P
GPX 400	85->86	P
GPZ 400 R (ZX 400)	85->87	P
KLE 400 VULCAN	90->	A
VN 400 VULCAN	95->	A
Z 400 F2	85->87	P
ZL 400 ELIMINATOR	86->87	A
ZX 400 C2	85	P
EN 450 LTD (454)	86->89	A
Z 450 LTD LIQUID COOLED	86->89	A
EN 500 all models	90->04	A
GPZ 500 S	87	A

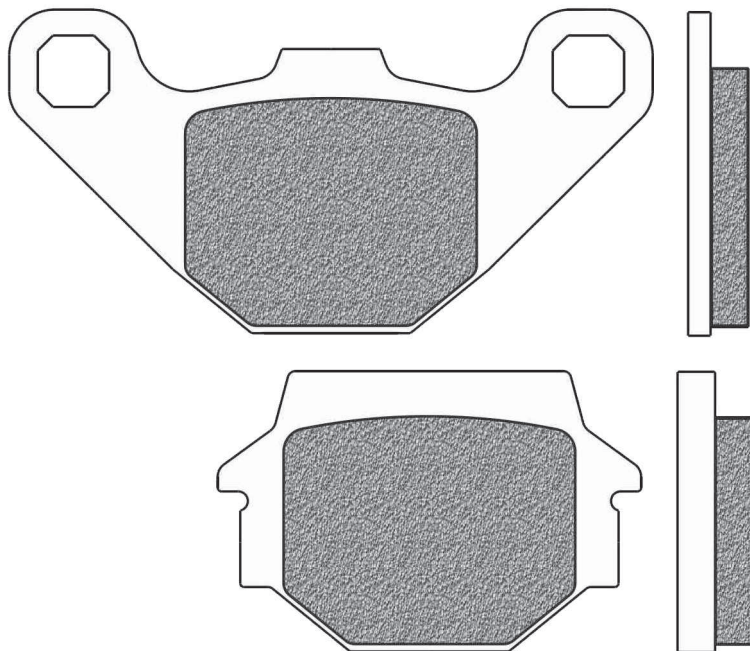
GPZ 500 S	89->92	P
GPZ 550	81->87	A / P
Z 550 GP	84->	A / P
GPZ 600 R	85->89	A / P
ZL 600	85->94	A
ZX 600	85->87	A
VN 700 A2-A10	86->94	A
VN 700 VULCAN	85->94	A
ZN 700 A1/A2 LTD	84->85	A / P
GPZ 750	83->87	A / P
GPZ 750 R	85->86	A / P
VN 750 TWIN	88	A
Z 750 GP	83->	A / P
ZX 750 A1	83->85	A / P
ZX 750 TURBO	84->87	A / P
VN 800	95->99	A
VN 850	95->	A
GPZ 900 R	84->89	A / P
Z 900 Z1A - Z1B	74->76	A
ZL 900 ELIMINATOR	85->86	A / P
GPZ 1000 R	86->87	A / P
GTR 1000	86->93	A
GTR 1000	86->06	P
VN 1000 VULCAN	87->	A / P
ZL 1000 all models	87	A / P
GPZ 1100 (ZX 1100)	83->85	A / P
VN 1100	87->	A / P

Z 1100 R1	84	A / P
ZX 1100 A1	83->84	A / P
KZ 1200	87->	A / P
ZG 1200	86->90	A / P
ZG 1200 VOYAGER	86->	A / P
VN 1500 B2-B6	88->92	A / P
VN 1500 B2/C1/C2/D1	88->96	A / P
VN 1500 C1/C2	94->95	A / P
VN 1500 CLASSIC TOURER	98->99	P
VN 1500 D1/D2 CLASSIC	96->98	P
VN 1500 G1/G2	98->99	A / P
VN 1500 SUMO	88->	A / P

FD0073
BA | BD | BT | SD | TS | X01

D1 (mm): 85x43x8 (lxhvsp.)

D2 (mm): 56x37x10,2 (lxhvsp.)



ZR 500 A1	83->	A
GT 550	83->01	A
Z 550 F	83->	A
Z 550 G1 SHAFT	83->	A
ZR 550 A1	83->84	A
KLR 570	84->91	A
KLE 600	92	P
KLR 600	84->86	A
KLR 600 ELECTRIC STARTER	85->94	A
KL 650 TENGAJ	89->92	P
KLR 650	87->04	P
ZX-7R 750 NINJA	89->03	P

KTM	Year	A/P
EXC 250	93	P
MX 250	92->93	P
EXC/EGS 350	89->90	A/P
DUKE 400	94	P
LC4 400	93->94	P
EXC/MX 500	92	P
EXC/MX 500 (pinze Brembo)	89->91	A
LC4 EXC/EGS 500 (pinze Brembo)	90->91	A

KYMC0	Year	A/P
AGILITY 125 CITY	11->17	P
AGILITY 125 R 16	08->12	P

MALAGUTI	Year	A/P
BLOG 125	09->11	P
BLOG 160	09->11	P

PEUGEOT	Year	A/P
DJANGO 125 ALLURE	14->	P
DJANGO 125 EVASION	14->	P
DJANGO 125 SPORT	14->	P
DJANGO 150 ALLURE	14->	P
DJANGO 150 EVASION	14->	P
DJANGO 150 SPORT	14->	P

SUZUKI	Year	A/P
OR 50 ET	80	A
RB 50 H	87	A
RG 50 EW		A
ZR 50	84->87	A
ZR 50 SLK	81	A
3 E 80		A
GT 80 L	81->	A
RG 80 GAMMA	->87	A
GP 100	78->87	A
GN 125	94->01	A
GN 125 HS	00->11	A
GS 125	95->00	A
RG 125 E	82->84	A
X4 125		A
GSX 250 (ZR 250C)	00->05	P
GSX 400 FEX -FZ - FD	81->83	A
GS 450 S	87->	A
LT-A 500 F VINSON	03->07	P
LT-F 500 VISION QUADRUNNER	03->07	P

SYM	Year	A/P
HUSKY 125	96->98	A

TM	Year	A/P
all models 80	90->93	P
all models 125	90->93	P

ALFER	Year	A/P
AR 250	92	P
VR 250	94	P

APRILIA	Year	A/P
TUAREG 350 WIND	89->	P
TUAREG 600 WIND (twin disc)	89->	A/P

CF MOTO	Year	A/P
U FORCE 550	14->18	P
U FORCE 800	14->17	P
Z FORCE 800 EX	14->17	P

GAS GAS	Year	A/P
CROSS 250	95->	P

HUSABERG	Year	A/P
MC 350	91->93	P
500 all models	91->	P
501 ENDURO		P
600 ENDURO		P

HUSQVARNA	Year	A/P
CR 125	91->95	P
WR 125	91->97	P
WR 240	91->	P
WR 250	90->97	P
WR 260	91->	P
TE 350	90->95	P
WR 360	92->94	P
TE 510	88->90	P

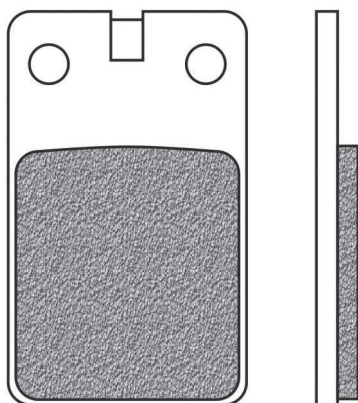
KAWASAKI	Year	A/P
KSR 50 (KMX50)	90->91	P
KSR II 80 (KMX 80)	90->91	P
KG 100	83->	A
KH 100	84->87	A
AR 125	82->94	A
KH 125	83->98	A
KMX 125	86->98	A
KMX 125	99->03	P
KX 125	83->85	A
KX 125	86->88	P
KR 150	98->	P

KR 150 SPORT	98->	P
KDX 200	86->88	A
KDX 200 SR (E1-E4)	89->92	A
KMX 200	88->92	P
Z 200	83	A
BJ 250 ESTRELLA	96->02	A/P
EX 250	90->	P
GPZ 250	85->	A
KDX 250 BALIUS	91->	P
KDX 250 ESTRELLA	92->	A/P
KL 250 SUPER SHERPA	97->	P
KLE 250 ANHELO	95->01	P
KLR 250 all models	84->05	A
KMX 250	89->	A/P
KR 250	84->86	A
KX 250	83->85	A
KX 250	86->88	P
KXT 250 TECATE A2 - B1	85->86	A/P
KXT 250 TECATE B2	87	A
ZR 250 BALIUS	91->95	P
ZR 250 BALIUS II	02	P
ZXR 250	91->95	P
ZZR 250	90->03	P
KLF 300 BAYOU (B1/B17)	88->04	A
GPZ 305 all models	83->96	A
EX 4 400	95->	P
FX 400 R (ZX 400)	85->88	A
GPX 400	85->86	A
GPZ 400 R (ZX 400)	85->87	A
KLE 400	91	P
LX 400 ELIMINATOR - SE	90->	A
Z 400 F2	85->87	A
ZL 400 ELIMINATOR	88	A
ZR 400	83->84	A
ZR 400 XANTUS	92->95	P
ZX 400 C2	85	A
EX 500	94->96	P
EX 500 NINJA	94->97	P
GPZ 500 S	88	A
GPZ 500 S	89->92	A
GPZ 500 S	94->04	P
KLE 500	91->07	P
KX 500	83->86	A
KX 500	87->88	P

FD0074

BA | BD

D1 (mm): 31,5x52x5,5 (lxhxp.)



FANTIC		
	Year	A/P
TRIAL 50 .1 (FM.268)	86	A
TRIAL 50 .1 H20	87	A
TRIAL 125 .1 Progress 1	87->88	A
TRIAL 125 .1 Progress 2	85->86	A
TRIAL 125 .3 PROFESSIONAL (FM 361)	87->88	A/P
TRIAL 200	85->86	A
TRIAL 200 Progress 1	86->	A
TRIAL 201 Progress2	86->	A
TRIAL 240 (FM 363)	87->88	A/P
TRIAL 241 PROFESSIONAL	86	A
TRIAL 301 Progress 1 (FM. 266)	85	A
TRIAL 301 Progress 2	86	A
TRIAL 303 (FM 364)	87->88	A/P

GARELLI		
	Year	A/P
TIGER 50 XLE	86->	P

GILERA		
	Year	A/P
503 50	91->	A/P
BULLIT 50	90->	A

JCM		
	Year	A/P
OXYGENE 125	89->	A
WEEK END 125	89->	A
VEGA 233	88->	A
ENDURO 240	91->	A
OXYGENE 240	89->	A
WEEK END 240	89->	A
WEEK END 250	91->	A
OXYGENE 325	89->	A
WEEK END 325	89->	A
VEGA 333	87->	A

KEEWAY		
	Year	A/P
125 SPEED	06->12	A
150 SPEED	06->09	A

MALAGUTI		
	Year	A/P
ciclomotori 50 all models	->83	A
CR1 50 CROSSER	95->96	A
DUNE 50 ENDURO	87->	A/P

F 12 50 PHANTOM	94->98	A
F 12 50 PHANTOM LC	94->98	A
FIFTY 50 FULL all models	83->93	A
FIFTY 50 TOP	85->	A
MR4 50 ENDURO	87->	A/P
RCX-W 50 ENDURO	83->	A
RGT 50 SPORT	85->	A
RGT 50 STRADA	83->	A
RST 50 SPORT tutti i tipi	87->	A/P
SAHIB 50 ENDURO	83->	A

MONTESA		
	Year	A/P
MKS 50	87->	A
COTA 304	87	A
H7-S 360 ENDURO	86->	A

MOTRON		
	Year	A/P
COMPACT 50 RACING ES	89->92	A
COMPACT 50 WF	88->92	A
GL 4 50 FLASH ID	89->93	A
RZ 1 50 ES	89->94	A
STING 50	95->	A
XLE 50	88->93	A

RIEJU		
	Year	A/P
DRAC 50	92->96	A

TOMOS		
	Year	A/P
BT 50 S	89->	A
N 50 AT, BT	91->	A
CITY 80	89->	A

TRE SOLDI		
	Year	A/P
CR 80	85->	P

ZUNDAPP		
	Year	A/P
KS 80 TOURING K	82->	A
KS 80 TOURING L	82->	A

BENELLI		
	Year	A/P
DEVIL 50	92->	P
MASTER 4 50	95->	A
SPRING 50	92->	P
DEVIL 80	95->	P

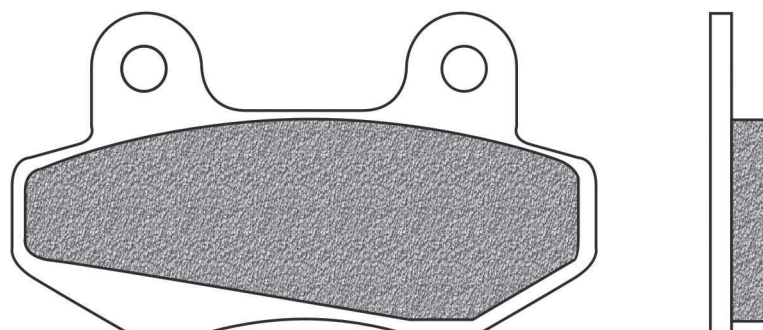
BETA		
	Year	A/P
ALP 50	91->	A
FOURTWIN 50	88->	A
TR 32 125	86	A
TR 33 125	87	A
TR 34 125	88	A
ALP 240	91->95	A
TR 33 240	86->88	A
TR 33 TREKKING 240	87->	A
TR 34 250	87->88	A
TR 34 250 (SPAIN)	89	A/P
TR 34 250 PROFESSIONAL	89->	A
ALP 260	90->	A
TR 34 260	87->88	A
TR 35 260	89->91	A

CIMATTI		
	Year	A/P
Gringo 50	85->	A

FD0075

BA | BT

D1 (mm): 77,5x42,5x7,2 (lxhxp.)



CF MOTO		
	Year	A/P
NK 150	15->19	A
NK 250 ABS	19	A
NK 300 ABS	19->20	A

DAELIM		
	Year	A/P
CITY ACE 110	03->	A

FACTORY		
	Year	A/P
YR 125	06->	A

GARELLI		
	Year	A/P
JOKER 2 125	02->	A
JOKER 2 150	02->	A

HONDA		
	Year	A/P
MBX 50 SD - SF	83->85	A
NSR 50 (Spagna)		A
NSR 50 F - S	89->95	A
NSR 75 FII	88->	A
MBX 80	82	A
MBX 80 (ESPANA)	84->	A
MBX 80 VOLLUERKLEIDUNG	85->	A
NSR 80 R	87->92	A
LS 125 R	00->	A
MBX 125	84->86	A
SONIC 125 FS	03->	A
CD 250	88->92	A

HYOSUNG		
	Year	A/P
COMET 125	02->	A
GRAND PRIX 125	98->	P
GRAND PRIX 125 PLUS	02->	A
GT 125 COMET	02->03	A
GV 125 AQUILA	00->04	A
KARION RT 125	04->06	A
RT 125 KARION	02->06	A
XRX 125 OFFROAD	99->06	A
EXCEED 150	02->	P
GRAND PRIX 150	98->	P

FIGURATO PASTIGLIE CON APPLICAZIONI | BRAKE PADS DRAWINGS AND APPLICATIONS | DESSINS PLAQUETTES AVEC APPLICATIONS |
DISEÑOS PASTILLAS CON RELACION | ZEICHNUNGEN VON BREMSBELÄGE MIT VERWENDUNGSLISTE



FD0075

BA | BT

... segue HYOSUNG	Year	A/P
GV 250	02->	A
XRX 400	05->	A
COMET 600	03	A
GV 650 AQUILA	05->07	A

KEEWAY	Year	A/P
RY8 50	10->16	P

KYMCO	Year	A/P
JETIX 125	08->15	A
DX 150 CUSTOM	93->	A

MZ	Year	A/P
MANTIZZ S 125	07->	A

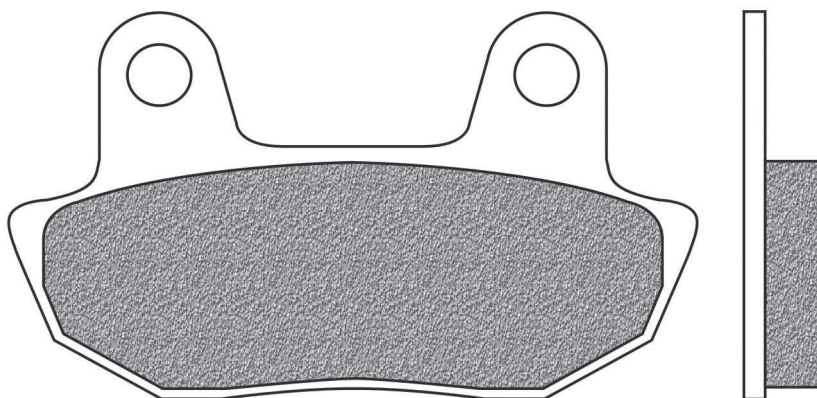
SACHS	Year	A/P
MAD ASS 50	04->	A
MAD ASS 50 4T	05->	A

SYM	Year	A/P
WOLF CLASSIC 125	05->	A
WOLF LEGEND 125	02->	A
MF 180	03->	A

FD0076

BT

D1 (mm): 91x51x10 (lhxsp.)



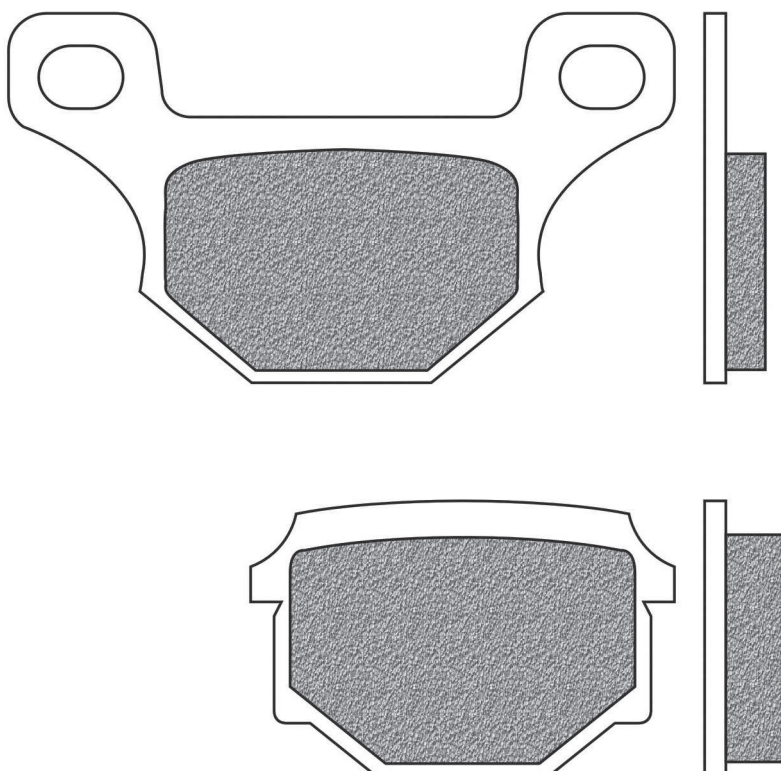
HONDA	Year	A/P
VT 700 C SHADOW	84->85	A
VT 750 C SHADOW	83->85	A

FD0077

BA | BT

D1 (mm): 88x49x7,8 (lhxsp.)

D2 (mm): 56x36x10,2 (lhxsp.)



APRILIA	Year	A/P
RS4 125 (pinza AJP)	11->19	P

DERBI	Year	A/P
GPR 125 4T	09	P
TERRA 125	07->08	P

RIEJU	Year	A/P
MRT-PRO 50	09->12	P
MRT-PRO 50 SUPERMOTARD	09->12	P

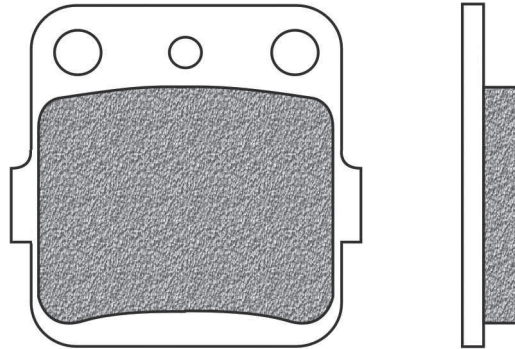
SUZUKI	Year	A/P
GN 125	82->93	A
GS 125	85->94	A

TGB	Year	A/P
101 R 50	05->	A
101 S 50	00->	A
202 T 50	99->	A
409 50	02->	A
409 50 J	00->	A
CORONA 50	03->	A

FD0078

BD | BV | SD | SV

D1 (mm): 46,5x45,5x7,8 (lxhxsp.)



HONDA	Year	A/P
CR 80 R	87->02	A
CR 85	03->07	A
CRF 150 R	07->20	A
ATC 200 X	83->87	A
ATC 200 X	86->87	P
ATC 250 R	82->84	A
ATC 250 R	83->84	P
TRX 250 EX SPORTRAX	01->08	A
TRX 250 X FOURTRAX	87->92	A / P
TRX 250 X9	09->11	A
TRX 300 EX FOURTRAX	93->08	A / P
TRX 300 XP	09	A / P
ATC 350 X	85	P
TRX 400 EX	99->08	A / P
TRX 400 X9	09	A / P
TRX 420 FOURTRAX 4WD - Power Steering FP	09->19	A
TRX 420 FOURTRAX 4WD AUTO- Power Steering FP	09->19	A
TRX 420 FOURTRAX FA 4WD AUTO	09->13	A
TRX 420 FOURTRAX FE ES 4WD	07->10	A
TRX 420 FOURTRAX FM 4WD AUTO	07->11	A
TRX 420 FOURTRAX TE ES 2WD	07->09	A
TRX 420 FOURTRAX TM	07->11	A
TRX 500 FEC FOURTRAX 2WD-4WD	12	A
TRX 500 FMC FOURTRAX 2WD-4WD	12	A

KAWASAKI	Year	A/P
KX 80	88->00	P
KX 85	01->13	P
KX 85 I (C)	14->20	P
KX 85 II (D)	14->20	P
KX 100	88->20	P
Z 125 PRO	17->18	P
KSF 250	94->04	P
KXF 250 TECATE A1/A2	87->88	P
KXT 250 TECATE B2	87	P
KEF 300 LAKOTA (2WD) A1/ A6	95->00	P
KEF 300 LAKOTA SPORT	01->02	P
KSF 400 (KFX 400)	03->06	A
KFX 450 R	08->15	P

SUZUKI	Year	A/P
RM 65	03->06	P
RM 100	03	P
LT 230 E	86->93	P
LT-Z 400	03->04	A
LT-Z 400 QUAD SPORT	05->19	A

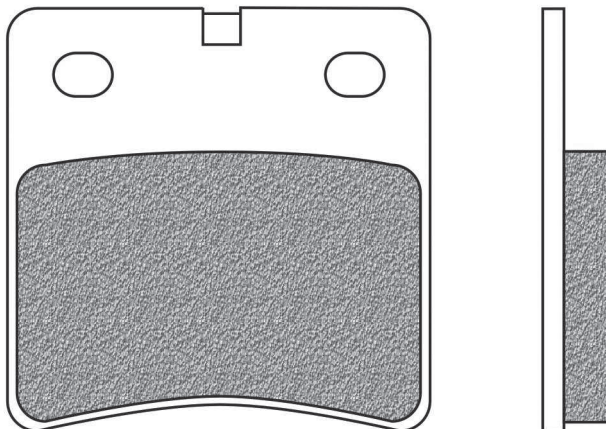
TM	Year	A/P
JUNIOR 80	96->00	P

YAMAHA	Year	A/P
YZ 65	18->20	P
YZ 80	93->01	P
YZ 85	02->20	P
YFS 200 BLASTER	03->06	P
YFM 250 RX/RV Raptor	08->09	P
YFM 350 FX WOLVERINE	95->04	P
YFM 350 R RAPTOR	04->09	A / P
YFM 350 X WARRIOR	92->04	P
YZF 350 BANSHEE	87->09	P
YFM 400 FWP BIG BEAR 4WD	02	A
YZF 450	04->05	P
YFM 600 GRIZZLY	02->05	A
YFM 600 GRIZZLY 4x4	98->01	A
YFM 600 GRIZZLY HUNTER EDITION	01->	A
YFM 600 GRIZZLY HUNTING	00->	A
YFM 660 GRIZZLY	02->09	A
YFM 660 RAPTOR RN	01->05	A / P

FD0079

BT

D1 (mm): 56x56x8,8 (lxhxsp.)



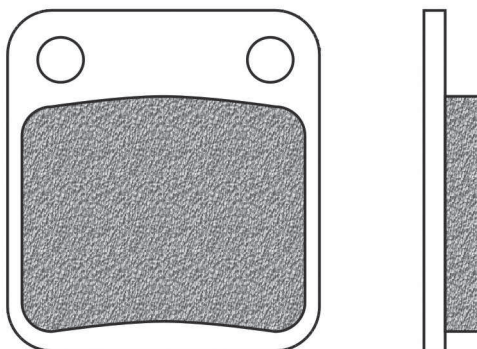
MOTO MORINI	Year	A/P
T.T. 500	80->	P

FIGURATO PASTIGLIE CON APPLICAZIONI | BRAKE PADS DRAWINGS AND APPLICATIONS | DESSINS PLAQUETTES AVEC APPLICATIONS |
DISEÑOS PASTILLAS CON RELACION | ZEICHNUNGEN VON BREMSBELÄGE MIT VERWENDUNGSLISTE



FD0080
BA | BD | BV | SD | SV

D1 (mm): 41,5x45x7,5 (lxhxsp.)



ARCTIC CAT	Year	A/P
DVX 400	04->	A

CAGIVA	Year	A/P
WR 125	93->	P

DAELIM	Year	A/P
DELFINO 50	99->	A
E-FIVE 50	03->	A
HISTORY 50	01->	A / P
MESSAGE 50 II	02->	A
S-FIVE 50	01->	A / P
SE 50 CORDI	06->	A
TAPO 50	99->	A
VIVO 50	99->	A
ALTINO 100	99->	A
DELFINO 100	99->	A
ALTINO 125	02->	A
HISTORY 125	01->	A / P
MESSAGE 125 II	02->	A
NF 125	03->	A
NS 125 II	00->	A
OTELLO 125	99->07	A
OTELLO 125	08->	P
OTELLO 125 DLX	99->	A / P
S2 125	05->06	P
S2 125 FI	07->	P
SL 125 U3 FI	07->	P
U2 125 FI	07->	P
VS 125 EVOLUTION	95->	A
S2 250	06->	P

HONDA	Year	A/P
CRM 50	88->92	A
CRM 50 R	93->96	A
G-DASH 50	89->	A
MB 50	80->82	A
MXR 50		A
CRM 80	88->92	A
MBX 80 FWD	83->86	A
CB 125 RS	83	A
CG 125	04->08	A
RS 125 R	95->	P
CG 150	04->	A
ATC 250 R	81	A
RS 250	93->94	P
RS 250 R	95->97	P

HUSQVARNA	Year	A/P
125 ALL MODELS 1992	92	P
250 ALL MODELS 1992	92	P
TC 610	91->95	P

HYOSUNG	Year	A/P
TE 400 (ATV)	05->06	A
TE 450 RAPIER	07->08	A

KAWASAKI	Year	A/P
KX 65	00->20	P
BN 125	98->99	A
KH 125	82	A
KLX 125	10->16	P
KLX 125 D-TRACKER	10->14	P
KLX 140 L	08->18	P
KLX 150 D-TRACKER	16->18	P
KLX 150 L	14->15	P
KVF 300 BRUTE FORCE	13->	A
KVF 300 PRAIRIE 2x4	99->01	A
KVF 300 PRAIRIE 4x4	99->01	A
KFX 400	02->	A
KVF 400 PRAIRIE 2x4 D1/D3	99->01	A
KVF 400 PRAIRIE 4x4 C1/C3	99->01	A
KVF 400 PRAIRIE A1/A2 - B1	97->98	A

MOTRON	Year	A/P
KCV 50		A

PEUGEOT	Year	A/P
NEW VIVACITY 50	10->	A
VIVACITY 50 4T	08->	A
VIVACITY 50 CATALITICO	02->04	A
VIVACITY 50 VSX -XR	02->04	A

PGO	Year	A/P
50 BUGDRIDER	06	P
BR 150 BUXTER	05->	P
BR 150 E BUGDRIDER	04->07	P

POLARIS	Year	A/P
ACE 150	17->19	A
RANGER 150	19->20	A

SUZUKI	Year	A/P
DF 125		A
DR 125 S	95->01	A
TS 125	88	A
TS 125	90->96	P
TX 125 XF	85->	A
DF 200 EV/EW/EY (SH42A)	98->00	A
DR 200	86->13	A
DR 200 DJEBEL	93->13	A
DR 200 S	15->17	A
SX 200	90->91	A
DR 250 S	86->89	A
LT-F 250 K OZARK	02->12	A
LT-Z 250 QUAD SPORT	04->12	A
RH 250 X	87->	A

TS 250 X all models	85->89	A
LT-A 400 EIGER	02->07	A
LT-F 400 EIGER	02	A
LT-F 400 EIGER 2WD	03->07	A
LT-A 500 F VINSON	02->07	A
LT-F 500 VISION QUADRUNNER	03->07	A

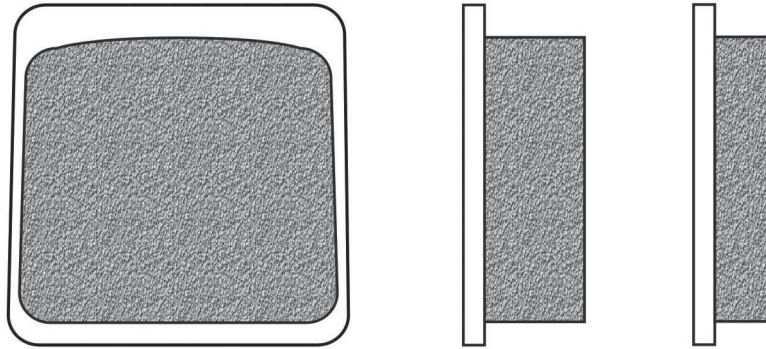
YAMAHA	Year	A/P
YFS 200 BLASTER	03->06	A
YFM 250 AN BRUIN 2x4	05->06	A
YFM 250 BEAR TRAKER	01->04	A
YFM 250 BIG BEAR	07->10	A
YFM 350 BRUIN 2x4 / 4x4	04->	A
YFM 350 FX WOLVERINE	95->04	A
YFM 350 GRIZZLY 2WD	08->10	A
YFM 350 GRIZZLY 4WD	07->12	A
YFM 350 L BIG BEAR	99->	A
YFM 350 WOLVERINE 2WD	06->09	A
YFM 350 X WARRIOR	92->04	A
YFZ 350 BANSHEE	90->09	A
YFM 400 AR KODIAK	03	A
YFM 400 F BIG BEAR	05->06	A
YFM 400 F GRIZZLY	07->08	A
YFM 400 F KODIAK AUTO	03->04	A
YFM 400 FAM/FAN KODIAK	00->01	A
YFM 400 FP BIG BEAR 4WD	03->04	A
YFM 450 FAR KODIAK	03->04	A
YFM 450 FAT KODIAK	05->06	A
YFM 450 FX WOLVERINE	06->10	A
YFM 450 GRIZZLY	10->12	A

FD0081

BT

D1 (mm): 45x45x16 (lhxsp.)

D2 (mm): 45x45x10 (lhxsp.)

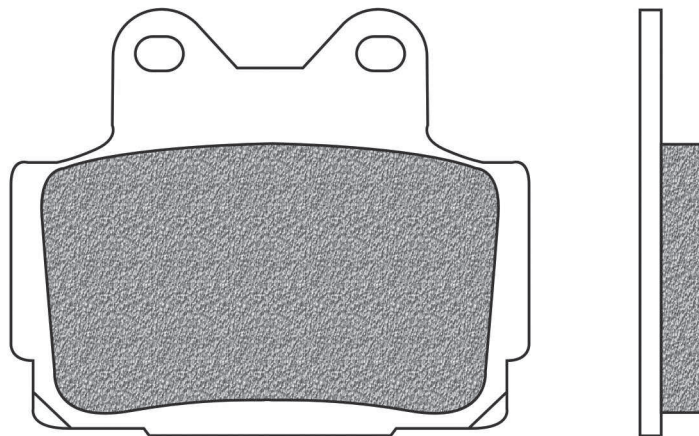


YAMAHA	Year	A/P			
FS 150 DX	79->80	A	RD 125 DX	78->81	A
RD 50 M	79->80	A	RS 125 DX	81->	A
			RD 200 DX	78->81	A

FD0082

BT

D1 (mm): 68,5x56,5x8,8 (lhxsp.)



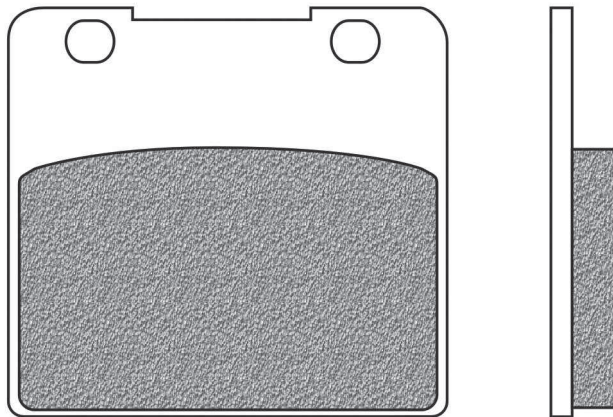
YAMAHA	Year	A/P			
FZR 50	90->91	P	TDR 250	88->92	P
TZR 80	->91	A	TZ 250	85->87	P
125 BIKAN	91->	A	TZR 250	87->92	P
RD 125 LC	85->87	A	TZR 250 (REVERSE CYLINDER)	89->90	P
RZ 125 (1GV030101-)	85	A	TZR 250 R - RS - SP	89->95	P
TZR 125	87->89	A	RD 350 LC N-F all models	85->92	A/P
TZR 125	90->95	P	RD 350 R	92->95	A/P
TZR 150 R	00	P	FZ 400	96	P
SDR 200	87->89	A/P	FZ 400 N	85	P
FZR 250	87	P	FZR 400 GENESIS	86	P
FZR 250 R	89->	P	FZR 400 R	89	P
FZX 250 ZEAL	91->92	P	FZR 400 RR	91->92	P
R1 250 Z	97->	P	FZR 400 RSP	87	P
RZ 250 R (1AR/1XG)		A/P	FZR 400 SP	91->	P
RZ 250 R (29L)		P	SRX 400	85->86	P
RZ 250 RR (51L)	90->	A/P	SRX 400	87->89	P
SRX 250		A	XJR 400	93->96	P
			RD 500 LC	84->86	P
			RD 500 YPVS LC	87->	P
			RZV 500 R (51X)	85	P
			FZ 600	87->88	P
			FZS 600 FAZER	98->99	P
			FZS 600 SP FAZER	00->03	P
			SRX 600	85->87	A
			SRX 600	85->91	P
			XJ 600 N	95->97	P
			XJ 600 N	98->03	P
			XJ S 600 DIVERSION	92->03	P

FIGURATO PASTIGLIE CON APPLICAZIONI | BRAKE PADS DRAWINGS AND APPLICATIONS | DESSINS PLAQUETTES AVEC APPLICATIONS |
 DISEÑOS PASTILLAS CON RELACION | ZEICHNUNGEN VON BREMSBELÄGE MIT VERWENDUNGSLISTE



FD0083
BT | TS

D1 (mm): 58x54x8,7 (lxhxsp.)

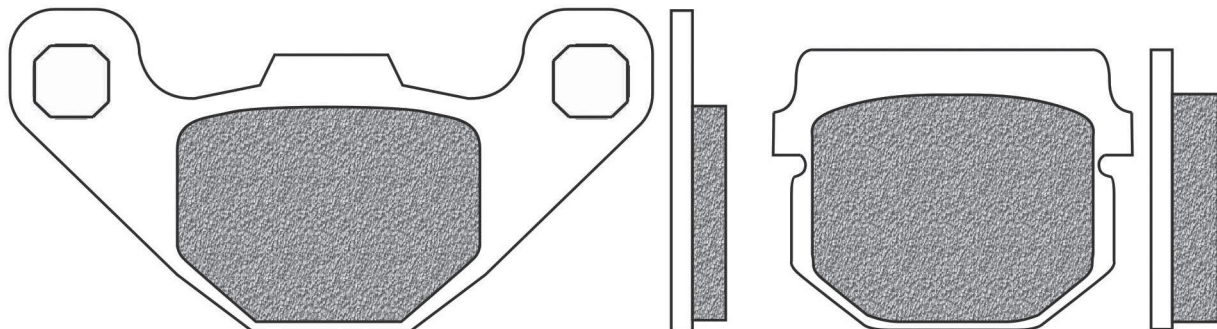


SUZUKI	Year	A/P
GSX 250	87	A
GSX-R 250	87->89	A
GSX 400 R3 (GK71F)		A
GSX 400 X IMPULSE	86->88	A
GSX-R 400	87	A
RG 400 WALTER WOLF	85->87	A
VS 400 INTRUDER	94->	A
RG 500 RF GAMMA	85->87	A
VS 600 GL INTRUDER	95->97	A
VS 700 GL INTRUDER	85->	A
VS 700 GLE	86->87	A
GSX-R 750 F	85->87	A
GT 750 RF	85->	A
VS 750 GL	85->91	A
VS 800 INTRUDER	92->99	A
GSX 1100	84->86	A / P
GSX-R 1100	86->88	A
GV 1400	85	A
GV 1400 GD	86	A / P
VS 1400 INTRUDER	87->03	A / P
VL 1500 LC INTRUDER	98->01	A

FD0085
BA | BD | BE | BT

D1 (mm): 85x42,5x7 (lxhxsp.)

D2 (mm): 47,5x37x9 (lxhxsp.)



ADLY	Year	A/P
ATV 150	05->	A / P
INTERCEPTOR 150	05->	A / P
ATV 300	05->	A / P

AEON	Year	A/P
AERO 50	06->	A
REGAL 50	06->	A
TORCH 50	06->	A
REGAL 90	06->	A
PULSAR 100	06->	A
REVO 2 100	04->	P
AERO 110	06->	A
PULSAR 110	06->	A
CO-IN 125	14->	A
PULSAR 125	06->	A
URBAN 125	11->13	P
PULSAR 150	06->	A
ELITE 250	11->	P
URBAN 350	11->	P

APRILIA	Year	A/P
RS4 50	11->15	P
RS4 50 REPLICA	14->16	P
SX 50 LIMITED EDITION	14->16	P

RS4 125 (pinza J JUAN)	11->19	P
RS4 125 REPLICA	16->19	P
TUONO 125 ABS	17->19	P

BOMBARDIER	Year	A/P
RALLY 200 2x4	03->	A

CAN AM	Year	A/P
DS 90 X / X MINI	08->20	A / P
RALLY 175	03->07	A

CECTEK	Year	A/P
GLADIATOR 500 EFI	09->	P
I ESTOC 500	10->	P

CPI	Year	A/P
BABY 50 J	02->	A
HUSSAR 50	01->02	A
MARS 50	01->02	A
POPCORN 50	02	A
XS 250 POWER QUAD	06->	A

DAELIM	Year	A/P
ST 250 SECTOR QUAD	05->06	A

E-TON	Year	A/P
RXL 50 VIPER	03->05	P
RXL 70 VIPER	03->05	P
RXL 90 VIPER	03->05	P
ST EXL 150 VIPER	05->	A
VXL 250 VECTOR - ST VECTOR	06->	A
VTL 300 VORTEX - ST VORTEX	07->	A

FACTORY	Year	A/P
HELIX 50	04->	P
REX 50	04->	P
100 HELIX	04->	P
100 REX	04->	P
HELIX 100	04->	P
REX 100	04->	P

FANTIC	Year	A/P
REGOLARITA 50 CASA	06->	P
SUPERSEI 50 MOTARD	06->	P
MX 125 REGOLARITA CASA	08->	P
SUPER MOTARD 125	08->	P

GARELLI	Year	A/P
RAIDER 125	02->	A

...segue

... FD0085

HYOSUNG	Year	A/P
FX 110	02->	A
KR 110 MASTER	04->	A
EXCEED 125	02->	P

KAWASAKI	Year	A/P
AR 50	81->97	A
KMX 50	88->	A
KSR 50 (KMX50)	90->91	A
AR 80	81->91	A
KD 80	88->90	A
KSR II 80 (KMX 80)	90->91	A
KX 80	84->96	A
KX 100	88->96	A
KMX 125	86->98	P
KX 125	81	A
KMX 200	88->92	A
KX 250	82	A
KXT 250 TECATE A1	84	P

KEEWAY	Year	A/P
50 HURRICANE	06->16	A
FLASH 50	07->12	A
90 HURRICANE	06->09	A

MAICO	Year	A/P
C 1 50 HARD ENDURO	99->	A
CRUISER 50	99->	A
R 1 50 SUPERBIKE	99->	A
THUNDERBIKE 50 I	99->	A
THUNDERBIKE 50 II	99->	A
X 1 50 SUPERCROSS	99->	A

MZ	Year	A/P
MOSKITO 50 SX	00->	A

PETERSON	Year	A/P
HURRICANE 50	95->	P
SR 50 RACING	95->	P
HURRICANE 80	95->	P
SR 80 RACING	95->	P

PEUGEOT	Year	A/P
BUXY 50 RS	94->	A
SPEEDFIGHT 50 M (Pinza Heng-Tong)	97->	A
SQUAB 50	96->	A
TREKKER 50 ROAD	97->	A

PGO	Year	A/P
BIG MAX 50	03->	A
BIG MAX 50 CROMO		A
COMET 50	91->	A
GALAXI 50	92->	A
MEGA 50		A
PS 50	93->	A
X RIDER 50	03->	P
GALAXI 90	92->	A
X RIDER 125	03->	P
X RIDER 150	03->	P

POLARIS	Year	A/P
PHOENIX 200	06->20	A
SAWTOOTH 200	06->08	A

QUADRO	Year	A/P
3 350	16	P
4 350	16	P
D 350	11->15	P

RIEJU	Year	A/P
RS2 125 NKD	06	P

SULA	Year	A/P
THUNDER BIRD 50	99->	A
THUNDER BIRD 100	99->	A
THUNDER BIRD 125	99->	A

SUZUKI	Year	A/P
ADDRESS 50	92->	A
SEPIA 50	92->	A
SEPIA AU 50 ZZ	96->	A
TUNE 50	93->	A
ZZ 50	92->	A
LIDO 75	89->	A
RM 80	90->95	A
RM 80	90->01	P
ADDRESS 100 AH	93->95	A
ADDRESS 110	15->16	A
LIDO 125 VARIO	90->	A
UE 150	02->	A
GV 1400	85	P

TGB	Year	A/P
203 50	02->04	A
303 R 50	99->	A

309 50 RACING	05->	A
309 50 RS	00->	A
507 50	05->	A
AKROS 50	99->	A
BUNNY 50	97->	A
DOUBLE X 50	05->	A
ERGON 50	96->	A
HIW S 50	99->	A
TRIGGER 50	99->	A
101 S 90	99->	A
202 S 90	99->	A
AKROS 90	99->	A
ERGON 90	99->	A
HIW S 90	99->	A
TRIGGER 90	99->	A
101 S 125	99->	A
202 T 125	99->	A
303 R 125	99->	A

TM	Year	A/P
JUNIOR 80	96->00	A

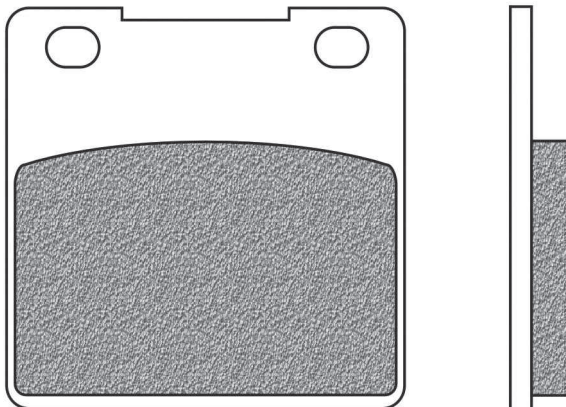
UVM	Year	A/P
BETHERE 50	99->	A
BINGO 50	99->	A
BETHERE 125	99->	A
BINGO 125	99->	A
PARAGON 125	99->	A

YAMAHA	Year	A/P
DT 125	84	A

ZERO	Year	A/P
DS 1 ZF 6.0	10->13	P
DS 1 ZF 9.0	10->12	P
MX 1	10->12	P
S 1 ZF 6.0	10->12	P
X 1	10->12	P
XU 1	11->12	P

FD0086

D1 (mm): 53x53x8 (lxhxsp.)



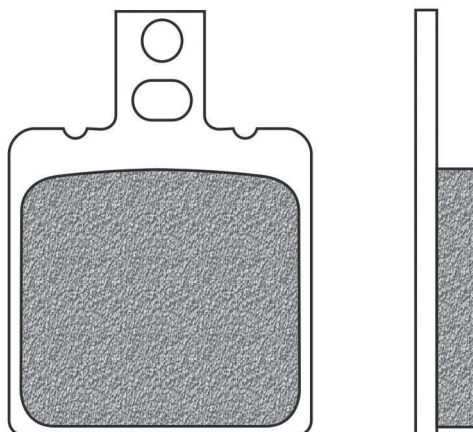
CECTEK	Year	A/P
KING COBRA 500 EFI	09->	P

KAWASAKI	Year	A/P
Z 250	78->80	P
ZZR 1100 GT (ZX 1100)	93->01	P

BT

FD0087
BT

D1 (mm): 40x56,5x8 (lhxsp.)



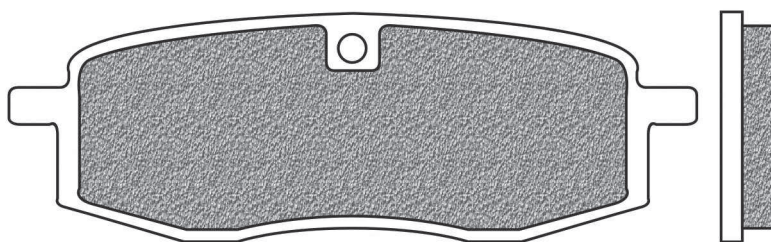
BENELLI	Year	A/P
125 JARNO	89->	P

CECTEK	Year	A/P
QUADRIFT 500 EFI	09->	P

MALAGUTI	Year	A/P
MEX 50 ENDURO	85	A
MDX 80 ENDURO	84->	A

FD0089
SD

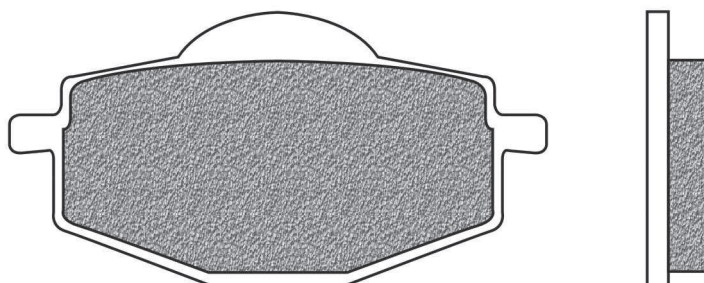
D1 (mm): 91x30,5x7 (lhxsp.)



YAMAHA	Year	A/P
YZ 125	85->86	A
TT S 250	87->92	A
YZ 250	85->87	A
TT 350	85->95	A
YZ 490	85->88	A
TT 600	89->92	A
IT 1200	87->	A

FD0090
BD
BT
SD

D1 (mm): 71x36x8 (lhxsp.)



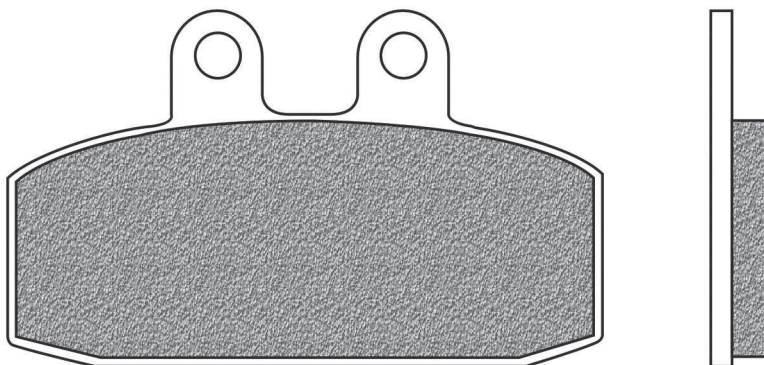
HM	Year	A/P
CRE 50 (fino a telaio nr.1000)		P

YAMAHA	Year	A/P
YSR 50	86->	A
YSR 60	86->	A
TDR 80	89->	A / P
YSR 80	86->	A
DT 125 LC	86->87	A
RT 180	95->	A
DT 200 R	87->91	A
DT 200 R	88->91	P
XT 350	85->95	A
XT E 500	00->	P
TT 600 N	85->88	A
XT 600 4 VALVES	87->90	P
XT Z 600 TENERE	88->90	P

FD0091

BA | BD | BE | BT

D1 (mm): 79x47x7,4 (Lxhxsp.)



XL 125 R	87->	A
MTX 200 R	87->	A
XL 200 R	85->	A

HONDA ITALIA		
	Year	A/P
DT 125	87->	A
MTX 125 R	86->	A
MTX 125 RALLY SPORT	88->	A
NS 125 F	85->	A
NS 125 R SUPER SPORT	87->	A
NSR 125 R	89->	A
XL 125 L PARIS DAKAR	85->	A
XL 125 R2	87->	A
XL 200 L	85->	A
XL 200 L PARIS DAKAR	87->	A
XL 200 R2	87->	A

MALAGUTI		
	Year	A/P
RUNNER 125 RALLY	87	A
RUNNER 125 YPVS	86->	A
SPIDERMAX 500 GT	04->05	A
SPIDERMAX 500 GT EURO 3	06	A
SPIDERMAX 500 RS	08->	A

MOTO GUZZI		
	Year	A/P
V7 750 RACER	12->14	P
V7 750 SPECIAL	14	P
V7 750 SPECIAL - STONE	12->13	P
V7 II 750 SPECIAL	15->16	P
V7 II 750 STONE	14	P
V7 II 750 STONE - METAL	15->16	P
V7 II 750 STORNELLO	16->	P
V9 850 BOBBER	16->	P
V9 850 ROAMER	16->	P

MOTO MORINI		
	Year	A/P
BLUES 125	93->	A
EXCALIBUR 350	86->89	A
KANGURO 350	87->	A
CAMEL 501	85->	A
EXCALIBUR 501	86->88	A

MOTORHISPANIA		
	Year	A/P
RX 50 RACING	00->03	A

PUCH		
	Year	A/P
125	87->	A

SACHS		
	Year	A/P
ROADSTER 125 V2	01->	A
ZX 125	99->	A
ZZ 125	99->	A

SIMSON		
	Year	A/P
RS 125	01->	A
SCHIKRA 125	99->	A

YAMAHA		
	Year	A/P
DT 125 (Italia)	86->87	A
DT 125 TENERE (Italia)	87->	A

APRILIA		
	Year	A/P
TUAREG 50 HPC SYSTEM	87->	A
ETX 125	87->97	A
RED ROSE 125	87->89	A
RX 125	86->89	A
SCARABEO 125 (motore Piaggio)	03	A
SCARABEO 125 (motore Rotax)	99->03	A
SCARABEO 125 GT	99->03	A
SPORT CITY 125	04->05	A
SPORT CITY 125 CUBE	08->10	A
SPORT CITY 125 EU3	06->08	A
TREND GO WEST 125	87->	A
TUAREG 125	86->	A
TUAREG 125 RALLY	86->88	A
TUAREG 125 RALLY(Mozzi Rimoldi)	86->	A
SCARABEO 150	98->03	A
SCARABEO 200	01->03	A
SCARABEO 200 (motore Piaggio)	03->	A
SCARABEO 200 GT	02->	A
SPORT CITY 200	04->05	A
SPORT CITY 200 CUBE	09->	A
SPORT CITY 200 EU3	06->08	A
LEONARDO 250	99->01	A
LEONARDO 250 ST	01->04	A
SPORT CITY 250 CUBE	08->12	A
SPORT CITY 250 EU3	06->	A
TUAREG 250 RALLY	86->	A
TUAREG 250 RALLY (Mozzi Rimoldi)	86->88	A
LEONARDO 300	02->04	A
ETX 350	85->86	A
ETX 350 AF	87->	A
TUAREG 350	87->	A
TUAREG 350 WIND	87->88	A
SCARABEO 400 IE	06->	A
SCARABEO 400 LIGHT	06->08	A
SCARABEO 400 URBAN	06->08	A
ARECIFE 500 (spagna)	02->04	A
ATLANTIC 500	02->04	A
SCARABEO 500	02->06	A
SCARABEO 500 CLASS	10->	A
SCARABEO 500 IE	07->	A
SCARABEO 500 LIGHT	06->08	A
SCARABEO 500 URBAN	06->11	A
ETX 600	86->	A
NA 850 MANA	08->11	P
NA 850 MANA GT	09->16	P

DERBI		
	Year	A/P
RAMBLA 125	09->11	A
RAMBLA 250	09->	A
RAMBLA 300	10->11	A

FANTIC		
	Year	A/P
RAIDER 250 (FM. 259)	85->	A

GARELLI		
	Year	A/P
TIGER 125 XLE	86->	A

GAS GAS		
	Year	A/P
MC 80	95->02	P
CROSS 125	94->	P
ENDURCROSS 125	94->	P
TT 125 ENDURCROSS	93->	P

GILERA		
	Year	A/P
CMM APTS 125	87->	A
ER 125	87->	A
FAST BIKE 125	87->	A
KK 125 APTS	87->	A
KZ 125	86->	A
KZ 125 ENDURANCE	88->	A
R1 125 S	88->	A
RC 125 RALLY	87->88	A
RRT 125 NEBRASKA	87->	A
RRT 125 NEBRASKA (ruote tubles)	87->	A
RTX 125		A
RV 125 ES	87->	A
RX 125 ARIZONA HAWK	86->	A
XR1 125	88->	A
XR2 125	89->	A
ARIZONA HAWK 200	86->	A
ER 200	87->	A
FAST BIKE 200	87->	A
RTX 200	86->	A
RV 200 ES	87->	A
RC 250 RALLY	87->	A
DAKOTA 350	86->	A
ER 350	87->	A
XRT 350	88->	A
DAKOTA 500	87->	A
ER 500	87->	A
XRT 600	88->	A

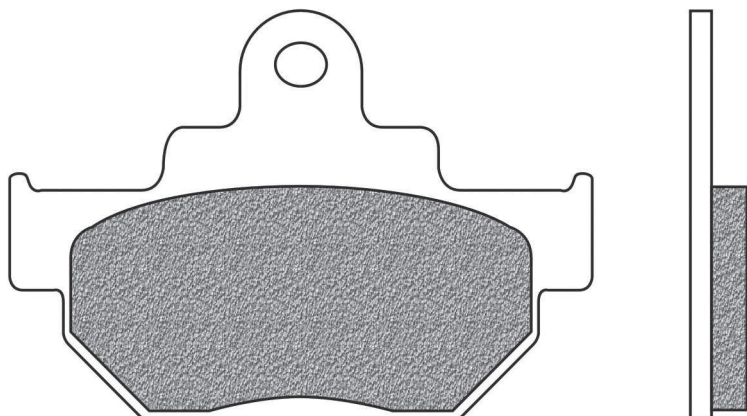
HONDA		
	Year	A/P
CLR 125 CITY FLY	98->03	A
CRM 125 (Italy)	90	A
MTX 125 R	87->95	A
NS 125 F all models	86->87	A
NSR 125	88	A
NSR 125 R - F	89->01	A
NSR 125 RAIDEN	90->	A
NX 125 (ITALY)	90->	A
XL 125 PARIS DAKAR	89->	A

FIGURATO PASTIGLIE CON APPLICAZIONI | BRAKE PADS DRAWINGS AND APPLICATIONS | DESSINS PLAQUETTES AVEC APPLICATIONS |
DISEÑOS PASTILLAS CON RELACION | ZEICHNUNGEN VON BREMSBELÄGE MIT VERWENDUNGSLISTE



FD0092
BT

D1 (mm): 77x54x7 (lxhxsp.)

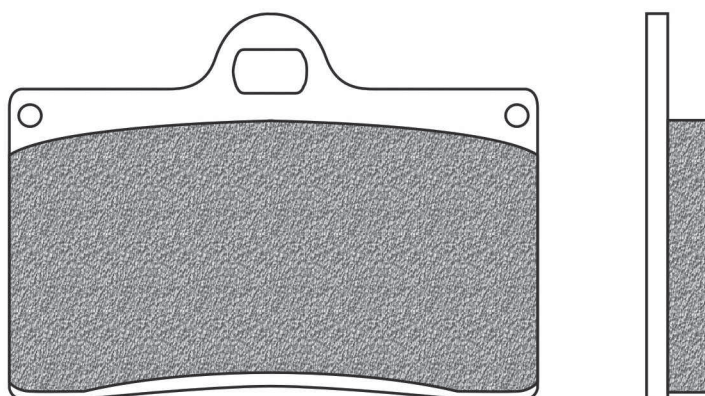


MAICO	Year	A/P
CROSS 250	86->88	A / P
ENDURO 250	86->88	A / P
GP 250	87->	A / P
GP 400	87->	A / P
CROSS 500	86->88	A / P
ENDURO 500	86->88	A / P
GP 500	87->	A / P
GPE 500	87->	A / P
GP 550	87->	A / P

SUZUKI	Year	A/P
GZ 125 MARAUDER	98->11	A
RM 125	85->86	A
VL 125 INTRUDER	00->08	A
GZ 250 MARAUDER	99->08	A
RM 250	85->86	A
TU 250 S VOLT	92->97	A
TU 250 X VOLT	97->98	A
VL 250 INTRUDER	00->07	A
RM 500	85->86	A
LS 650	05->	A
LS 650 P SAVAGE	87->04	A

FD0093
BT | R01 | SP | TS

D1 (mm): 70x51x8 (lxhxsp.)



502 SINGLE	93->	A
502 SUPERMONO	93->	A
550 SUPERMONO	92->	A
MONSTER 600	93->99	A
MONSTER 600 CITY - CITY DARK - DARK	99	A
MONSTER 600 DARK	98	A
SUPERSPORT 600	91->97	A
748 BIPOSTO	01	A
748 BIPOSTO - SP	95->01	A
748 SP	95->97	A
750 ENDURANCE	87->	A
750 LAGUNA SECA	87->	A
MONSTER 750	96->99	A
MONSTER 750 CITY - CITY DARK	99	A
SUPERSPORT 750	91->98	A
851 all models	91->92	A
888 all models	93->95	A
888 DESMOQUATTRO	93->94	A
900 I.E. PASO	90->91	A
MONSTER 900	93->99	A
MONSTER 900 CITY - CITY DARK	99	A
MONSTER 900 CROMO	98->99	A
MONSTER 900 SPECIAL	98	A
SUPERSPORT 900	78->89	A
916 BIPOSTO SENNA	94->98	A
916 SP	94->96	A

APRILIA	Year	A/P
RS4 125 (pinza J JUAN)	11->19	A
RS 250	95->96	A

BETA	Year	A/P
JONATHAN 125	99->	A
EURO 350	99->	A
JONATHAN 350	02->	A
M4 350	06->	A

BIMOTA	Year	A/P
YB7 400	89->	A
V DUE 500	97->00	A
BELLARIA 600 SPORT	91->	A
YB9 600 SRI	97->	A
BB1 SUPERMONO 650	96->00	A
SB7 750	96->	A
YB4 750	89->	A
TESI 851 1D	90->91	A
DB2 SR 904	92->00	A
DB3 MANTRA 904	96->00	A
TESI 906 1D	91->	A
TESI 1000 2D	04->06	A
YB10 1000 BIPOSTO	92->	A
YB11 1000	97->	A
YB6 1000	89->	A

YB8 1000 E	90->	A
YB8 1000 E.I. FURANO	90->	A
YB8 1000 FURANO	92->	A
YB10 1002 DIECI	92->95	A
SB6 1100	96->00	A

BREMBO	Year	A/P
20.4756.52/62 BILLET RACING		A
20.5165.55/65 Gold line Road single pin		A

CAGIVA	Year	A/P
MITO 125 EDDY	93	A
MITO 125 EURO 2	05->	A
MITO 125 EV	94->07	A
MITO 2 125 PRODUCTION RACER	94->	A
PLANET 125	97->07	A
RAPTOR 125	03->06	A
RIVER 500	99->01	A
RIVER 600	95->99	A

CANNONDALE	Year	A/P
S 440	03->	A

DUCATI	Year	A/P
SUPERSPORT 350	91->92	A
SUPERSPORT 400	93->97	A

FANTIC	Year	A/P
TZ 125 SM	12->	A

GAS GAS	Year	A/P
EC 125 SM	02->07	A
SM 125	02->	A
EC 200 SM	02->07	A
EC 250 SM	02->07	A
SM 250	02->	A
EC 300 SM	02->07	A
FSE 400 SM 4T	02->07	A
FSR 450 SM	08->	A

GILERA	Year	A/P
SATURNO 500 PIUMA	90->	A

...segue

... **FD0093**

HUSQVARNA	Year	A/P
SM 400 SUPERMOTARD	02->	A
SM 450 R	03->04	A
SM 570 R	01->	A

INDIAN	Year	A/P
CHIEF BLACKHAWK 1700	11->13	A
CHIEF BOMBER 1700	10->13	A
CHIEF CLASSIC 1700	10->13	A
CHIEF DARK HORSE 1700	10->13	A
CHIEF DELUXE 1700	09->13	A
CHIEF ROADMASTER 1700	09->13	A
CHIEF STANDARD 1700	09->13	A
CHIEF VINTAGE 1700	09->13	A

JJ COBAS	Year	A/P
TR 12	85->	A

KTM	Year	A/P
LC2 125 STING	97->98	A
DUKE 400	94	A
SX SM 450 FACTORY REPLICA	04	A
LC4 620 DUKE	94->97	A
LC4 640 DUKE	98	A
LC4 640 DUKE II	99->02	A
LC4 640 SUPERMOTO	03	A
LC4 660 SM FACTORY REPLICA	02->03	A
SMC 660 SUPERMOTO	03	A

LAVERDA	Year	A/P
SPORT 650	95->01	A
STRADA 650	96->	A
DIAMANTE 668	96->98	A
GHOST 668	96->99	A
STRIKE 668	97->99	A
750 S (all models)	97->	A
BLACK STRIKE 750	00->	A
CUP 750	98->	A
DIAMANTE 750	97->	A

FORMULA 750	97->01	A
SPORT 750	97->98	A
STRIKE 750	98->01	A
SUPER SPORT 750	99->00	A
T-8 800	98	A
TTS 800	98	A
1000 JOTA	76->	A
JOTA 1000	95->	A

MOTO GUZZI	Year	A/P
IPPOGRIFO 50	97->	A
CALIFORNIA 1000 EV	99->	A
DAYTONA 1000	92->95	A
DAYTONA 1000 RACING	96	A
DAYTONA 1000 RS	97->98	A
V 10 1000 CENTAURO	97->99	A
CALIFORNIA 1100 EV	97->02	A
CALIFORNIA 1100 JACKAL	99->00	A
CALIFORNIA 1100 SPECIAL	99->00	A
SPORT 1100 (carburatori)	94->96	A
SPORT 1100 (iniezione)	96->99	A
SPORT 1100 CORSA	98->99	A
V 11 1100 SPORT	99->00	A

MZ	Year	A/P
SKORPION 660 SPORT	95->99	A
SKORPION 660 TOUR	95->99	A
SKORPION 660 TRAVELLER	99->	A

NORTON	Year	A/P
F 1 588	90->91	A
FORMULA 588 1 SPORT	92->	A
TT 588	92->	A

PGO	Year	A/P
G MAX 250	06->	A

REVITECH	Year	A/P
WILWOOD front/rear		A

SACHS	Year	A/P
X ROAD 125	05->	A
XTC 125	00->07	A
MAD ASS 500	05->	A
ROADSTER 650 V 1.6	01->	A
ROADSTER 800 V 2	00->	A
B 805	02->	A
S 805	03->	A

TM	Year	A/P
SMR 125	05->	A
SMF 400 F	02	A
SMR 400 F	03	A
SMR 450 F ES	02->04	A
SMX 450 F	03	A
SMR 530 F ES	03->	A
SMX 600 F	03->04	A

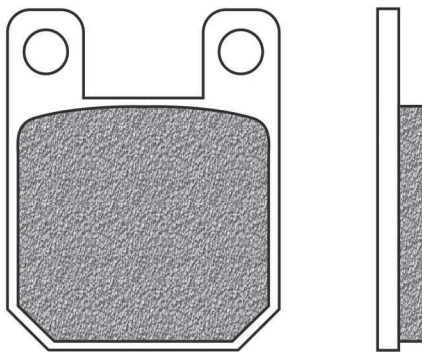
VOR	Year	A/P
SM 450	02->	A
SUPERMOTARD 492	00->	A
SUPERMOTARD 500	00->01	A
SM 530	02->	A

VOXAN	Year	A/P
CAFE RACER 1000	01->06	A
ROADSTER 1000	01->06	A

YAMAHA	Year	A/P
TZR 125 R	91->95	A
TZR 125 RED ROCKET	93->95	A
SZR 660	95->97	A

FD0094

D1 (mm): 36x45x6 (lxhxsp.)



AJP	Year	A/P
MX 200	09->	P

APRILIA	Year	A/P
RS 50	06->10	P
RS 50 REPLICA	00->02	P
RX 50	03->16	P
RX 50 ENDURO	95->03	P
TX 125 M	86->	A
TX 300	86	A
TX 311	87	A
TX 312	88->	A / P
TXR 312	88->	A / P

ATK (USA)	Year	A/P
ATK 560	87->88	P

BETA	Year	A/P
EIKON 50	99->03	A / P
MX R 50 ENDURO	95->96	A / P
RR 50 ENDURO ALU	08->12	P
RR 50 PRO RACE	98->	P
RR 50 SUPERMOTARD	99->07	P
RR 50 SUPERMOTARD	04->07	A
SUPERMOTARD 50	00->	A / P
SUPERTRIAL 50	92->	A
TECHNO 50	96->	A / P

TEMPO 50	92->96	A
TR 50 (SPAIN)	89->	A
EVO 80 JUNIOR	10->	A / P
REV 80	00->07	A / P
ALP 125	99->	A / P
ALP 125 4T	99->05	A / P
EIKON 125	99->03	A / P
TECHNO 125	98	A / P
TR 35 125	90->	A / P
TRIAL 125	97->	A
EIKON 150	99->03	A / P
ALP 200 4T	00->05	A / P
ALP 240	96->	A
SUPERTRIAL 240	92	A
ALP 250	97->	A / P
EIKON 250	99->	A / P
TECHNO 250	94->99	A / P
TR 35 250	90->91	A / P

BLATA	Year	A/P
ENDURO 125	07->	P
MOTARD 125	07->	P

BULTACO	Year	A/P
ASTRO 50	99->00	P
LOBITO 50	99->14	P

BA | BD | BE | BT | SD

FIGURATO PASTIGLIE CON APPLICAZIONI | BRAKE PADS DRAWINGS AND APPLICATIONS | DESSINS PLAQUETTES AVEC APPLICATIONS |
 DISEÑOS PASTILLAS CON RELACION | ZEICHNUNGEN VON BREMSBELÄGE MIT VERWENDUNGSLISTE



... FD0094

CAGIVA	Year	A/P
CORSA 50	98->	A
MANTIS 50	98->	A
MITO 50	98->01	P
PROGRESS 50	97->	A

CH RACING	Year	A/P
WSM 50 MOTARD	05->	P
WXE 50 ENDURO	05->	P
WSM 125 MOTARD	05->	P
WXE 125 ENDURO	05->	P

CPI	Year	A/P
SUPERCROSS 50	03->05	A / P
SUPERMOTO 50	03->05	A / P

CZ - JAWA	Year	A/P
50 MINARELLI	03->04	A
ROBBY 50	03->04	A
ROBBY 100	03->04	A
CHOPPER 125	03->04	A
DANDY 125	03->04	A / P
SPORT 125	03->04	A / P
TRAVEL 125	03->04	A

DERBI	Year	A/P
ATLANTIS 50 CITY	06->	A
ATLANTIS 02 50	99->	A
ATLANTIS 02 50 4T	04->	A
ATLANTIS 02 50 BULLET	03->05	A
ATLANTIS 02 50 H2O	01->	A
ATLANTIS 02 50 RED BULLET	04->	A
ATLANTIS 02 50 TWO CHIC	05->	A
ATLANTIS 02 50 WAVE	01->	A
BLACK DEVIL 50	04->	P
DRD RACING 50 R	05->	P
DRD RACING 50 SM	05->	P
FDS 50	86->	A
FENIX 50	94->98	A
FENIX 50	95->98	P
FURAX 50	97->	A / P
GP1 50 EURO2	05->	P
GPR 50 NUDE	04->08	P
GPR 50 NUDE SPORT	08	P
GPR 50 NUDE TUNING	06->08	P
GPR 50 R	97->01	P
GPR 50 R DRD PRO EU2	05->09	P
GPR 50 R DRD RACING EU2	05->08	P
GPR 50 R EU2 - REPLICAS EU2	08	P
GPR 50 R X-RACE EU2	06->09	P
GPR 50 R X-TREME EU2	05->08	P
GPR 50 RACING	04->	P
GPR 50 RACING EU2	06	P
GPR 50 REPLICAS - R EU2	06	P
GPR 50 REPLICAS 2T	07	P
GPR 50 REPLICAS PESEK EU2	07	P
GPR 50 SM DRD PRO EU2	05->08	P
GPR 50 SM DRD RACING EU2	05->08	P
GPR 50 SM DRD RACING LTD EU2	07	P
GPR 50 SM X-RACE EU2	06->09	P
GPR 50 SM X-TREME EU2	05->08	P
HUNTER 50	95->	A
MANHATTAN 50	99->	A
PADDOCK 50 ST	96->	A
PROGRESS 50	97->	A
SENDA 50	94->	A
SENDA 50 EX	95->97	A / P
SENDA 50 L	99->	A / P
SENDA 50 L 6V	94->97	A / P
SENDA 50 R	94->04	A / P
SENDA 50 R 6V	94->97	A / P
SENDA 50 R DRD	03->04	P
SENDA 50 R RACER	02->	P
SENDA 50 R XTREAM	00->01	P
SENDA 50 SM	99->	A / P
SENDA 50 SM DRD BLACK EDITION	03->	P

SENDA 50 SM DRD RACING	03->04	A / P
SENDA 50 SM DRD RACING LTD	05->	A
SENDA 50 SM DRT	02->	P
SENDA 50 SM RACER	02->	P
SENDA 50 SM XTREAM	00->01	P
SENDA 50 SR	99->00	A / P
SENDA 50 SUPERMOTARD	97->99	A / P
SENDA 50 X-TREME	94->04	A / P
SPORT EDITION 50	95->	A
ST 50 PADDOCK	96->	A
STINGER 50	96->	A
X-RACE 50 R	05->	A / P
X-TREME 50 R	05->	A / P
GPR 80 CUP	04->	P
ATLANTIS 100 4T	04->	A
ATLANTIS 100 H2O	01->	A
GPR 125 NUDE	04->06	P
GPR 125 RACING	04->06	P
SENDA 125 R 4T	04->	P
SENDA 125 X-TREME SM 4T	04->	P

FACTORY	Year	A/P
R12 50 PHANTOM AGUA	06->	P
R14 50 PHANTOM AGUA	04->	P
R14 50 PHANTOM AIRE	03->	A
RP 50 DESERT	04->	P
SM 50 CHRONO	04->	P
SP 50 CHRONO	04->	P
YR 50 DESERT	04->	P
R2 65 PHANTOM	04->	P
YR 125	06->	P

FANTIC	Year	A/P
TRIAL 50 0,5	89	A / P
TRIAL 50 0,7	90	A / P
TRIAL 50 0,9	91->	A / P
TRIAL 125 0,5	89->90	A / P
TRIAL 125 0,9	91->	A / P
TRIAL 249	90->	A / P
COACH 250	91->	A
K-ROO 250	91->92	A / P
TRIAL 305	89	A / P
TRIAL 307	90->91	A / P

GARELLI	Year	A/P
GSP 50	12->	P
SAHEL 50	91->	P
XO 50	12->	P
SAHEL 80	89->	P
TRIAL 320	86->	A

GAS GAS	Year	A/P
TXT 50 BOY	04->	A / P
TX 200	97->99	A / P
PAMPERA 250	96->99	A / P
TX 270	->99	A / P
HALLEY 325 PCX	87->	A / P
GT 327 CONTACT		A / P
PAMPERA 370	96->	A / P

GILERA	Year	A/P
GSM 50 (motore Derbi)	01->	A / P
GSM 50 (motore Morini 6M)	99->00	A / P
H@C 50	99->	A / P
SMT 50 SUPERMOTARD	01->17	A / P
SURFER 50	99->	A
ZULU 50	01->	A / P
GSM 125	00->	A
SURFER 125	00->	A

GMA	Year	A/P
4 Piston front model F		A

HM	Year	A/P
CRE 50 BAJA - DERAPAGE	01->02	P
CRE 50 SIX	95->02	P

HRD	Year	A/P
SONIC 2 50 SUPERMOTARD	00->02	P
SONIC 2 50 TRAIL	00->02	P
SUPERMOTARD 125	00->02	P
TRAIL 125	00->02	P

HUSQVARNA	Year	A/P
HUSQY BOY 50	01->	A
RACING 50	98->	A
SM 50	02->09	P
WR 50	02->	P
WRS 50 (SCOOTER)	98->	A

ITALJET	Year	A/P
DRAGSTER 50	97->	A / P
FORMULA 50	97->	A / P
RG 50	98->	A
TORPEDO 50	97->	A
DRAGSTER 125	97->03	A
FORMULA 125	97->	A / P
TORPEDO 125	99->	A
TWIN 125	98->	A / P
TORPEDO 150 4T	01->	A
DRAGSTER 180	97->	A

JAYBRAKE	Year	A/P
2 Piston Dual Series		A
4 Piston Quad		A

JCM	Year	A/P
EUROPA 125	89->	A / P
SR 125	89->	A / P
EUROPA 240	89->	A / P
SR 240	89->	A / P
EUROPA 325	89->	A
SR 325	89->	A / P

JJ COBAS	Year	A/P
TR 1 2	85->	P
TRIAL 2	85->	A / P

KTM	Year	A/P
SX 60	98->00	A
SX 65	98->01	A
MX 80	00->02	A

MACAL	Year	A/P
TROPHY 50 (AM5/6)	99->	A
TROPHY 50 H2O (AM5/6)	99->	A

MACBOR	Year	A/P
XC 50 510 RACING	04->	P
XC 50 512 R 6V	04->	P
XC 50 512 RACING	04->	P

MALAGUTI	Year	A/P
CRW 50 ENDURO	03->	A / P
NKD 50	04->	P
XTM 50	03->	A

MBK	Year	A/P
X-LIMIT 50	03->	A / P
X-POWER 50	03->	P

METRAKIT	Year	A/P
FUN 50 2 STROKE	05->	A
FUN 50 4 STROKE	05->	A
MINI GP 50	03->	A

MONTESA	Year	A/P
EVASION 260	94->	A / P
COTA 304	88	A / P
COTA 307	89	A / P
COTA 309	90	A
COTA 310	91	A

...segue

... FD0094

... segue MONTESA	Year	A/P
COTA 311	92->93	A
COTA 314 R	94->95	A
COTA 315	97->99	A / P
COTA 335	87->91	A / P
M7 360 ENDURO	86->	A

MOTORHISPANIA	Year	A/P
FURIA 50	96->01	A / P
FURIA 50 MX	10->12	A / P
FURIA 50 SUPERMOTARD	97->01	P
RX 50 RACING	00->05	P
RYZ 50 CROSS	04->05	A / P
RYZ 50 ENDURO	05->	A / P
RYZ 50 SUPERMOTARD	04->05	P
RYZ 125 ARENA ENDURO	05->	A / P

PERFORMANCE MACHINE	Year	A/P
125X2		A
125X4S		A
125X4SL		A

PEUGEOT	Year	A/P
BLASTER 50	09->	A
BLASTER 50 FURIOS	11->	A / P
BLASTER 50 RS 12	09->	A
ELYSEO 50	98->01	A
ELYSEO 50	02->	P
ELYSTAR 50	03->05	A
JET C-TECH 50	09->	A / P
JET FORCE 50	03->	A / P
LOOXOR 50	01->05	A
LOOXOR 50	06->	P
LUDIX 50 (disk)	04->	A
SPEEDFIGHT 50 (raff. acqua pinze AJP)	98->	A / P
SPEEDFIGHT 50 LEMANS	11->	A / P
SPEEDFIGHT 50 M (Pinza AJP)	97->98	A
SPEEDFIGHT 2 50 A/C	01->	A
SPEEDFIGHT 2 50 L/C	01->	A / P
SPEEDFIGHT 2 50 X-RACE /FURIOUS / WRC	01->	A / P
TKR 50 FURIOUS	05->	A
TKR 50 WRC	05->	A
TREKKER 50 (forcelle Paioli)	97->	A
TREKKER 50 METAL-X	01->	A
TREKKER 50 STREETBOARD	00->	A
TREKKER 50 URBAN BLACK	00->	A
VIVACITY 50 (forcelle Paioli)	98->07	A
X FIGHT 50 (raffreddamento liquido)	00->	A / P
X FIGHT 50 M	00->	A
XP 6 50 ENDURO	06->	A / P
XP 6 50 SUPERMOTARD	06->	A / P
XP 6 50 TRAIL	04->05	A / P
XP S6 50 ENDURO	04->	A / P
XR 6 50 RACE SPEC	02->07	P
XR 7 50	08->	P
ZENITH 50	96->	A
ELYSEO 100	98->01	A
ELYSEO 100	02->	P
LOOXOR 100	01->	A / P
SPEEDFIGHT 100	97->00	A / P
TREKKER 100	98->	A
VIVACITY 100	99->01	A
X FIGHT 100	00->01	A / P
X FIGHT 100 M	00->	A
ELYSEO 125	98->99	A
LUDIX 125	04->	A
SATELIS 125	04->05	A
XPS 125 CT	06->	A / P
ELYSEO 150	99->00	A

PIAGGIO	Year	A/P
DIESIS 50	01->	A
DIESIS 100	01->	A

RIEJU	Year	A/P
DRAC 50	97->	A / P
DRAC 50 AM	97->99	A / P
DRAC 50 RR	94->96	A / P
DRAC 50 TRAIL	93->94	A / P
FD4 50 SUPER MARATON	85->	A
FIRST 50 H2O	97->	A
MRX 50 PRO	05->	P
MRX 50 RACING	02->	A / P
NKD 50	05->	P
RACING 50 SPECIAL EDITION	01->	P
RR 50 AM 5	97->	A / P
RR 50 AM 6 AUTOMIX	97->00	A / P
RR 50 AM 6 SUPERMOTARD	97->98	A / P
RRX 50	08->	A / P
RRX 50 SPIKE	08->	A / P
RS1 50	89->	A / P
RS1 50 CASTROL	01->	P
RS1 50 EVOLUTION	96->00	A / P
RS2 50 MATRIX	03->	P
RV 50		A
SMX 50	02->	A / P
SMX 50 (pinza Grimeca)	02->	P
SMX 50 PRO	08->	P
SPIKE 50	02->	A / P
SPIKE 50 RACING	02->	P
TANGO 50	08->	P
WINDY 50	97->	A
K6 75 LC STRADA	87->	A
P6 75 LC STRADA	87->	A
RR 80	97->	A
RST 80	91->	A / P
MRX 125	03->	A / P
MRX 125 (pinza Grimeca)	03->	P
RR 125	96->	A / P
RS2 125 PRO	08->	P
SMX 125	03->	A / P
SMX 125 (pinza Grimeca)	03->	P
TANGO 125	06->07	P
TANGO 125 PRO	08->	P

SACHS	Year	A/P
MAD ASS 50 4T	05->	P

SCORPA	Year	A/P
255 250 WORKS	95->	A / P
EASY RACE 280	99->	A / P

SHERCO	Year	A/P
ENDURO 50	02->06	P
SUPERMOTARD 50	02->06	P
80 0.8	01->	A / P
CITY CORP 125 4T ENDURO	03->07	P
CITY CORP 125 4T SM	03->07	P
ST 125 1.25	01->05	A / P
ST 200 2.0	99->01	A / P
ST 250 2.5	99->00	A / P
ST 290 2.9	->00	A / P

SIMSON	Year	A/P
SR 50 /1 GAMMA	94->	A
SR 50 GAMMA E	94->	A
SR 50 XC/XCE		A
SR 80 /1 GAMMA	94->	A
SR 80 XCE		A
SM 125	01->	P
STAR 125	99->	A

SJP	Year	A/P
30-370 4 Piston		A
30-375 2 Piston		A

SUZUKI	Year	A/P
AY 50 A	04->06	A / P
AY 50 W (KATANA)	00->04	A / P
AY 50 W KATANA	98->	A
AY 50 WR KATANA	98->	A
DR 50 BIG	89->00	A
ESTILETE 50 UF	00->	A
RMX 50	00->	A / P
SMX 50 SUPER MOTARD	00->	A / P
ZILLION 50 UX	98->	A

TOMOS	Year	A/P
SE 50	05->	P
SE 125	05->	P

YAMAHA	Year	A/P
DT 50 R	02->13	A
TZR 50	03->12	P
TZR 50 RR	05	P
XT 125 R	05->11	A
XT 125 R (13D1)	07	A
TY 250 R	91->92	A

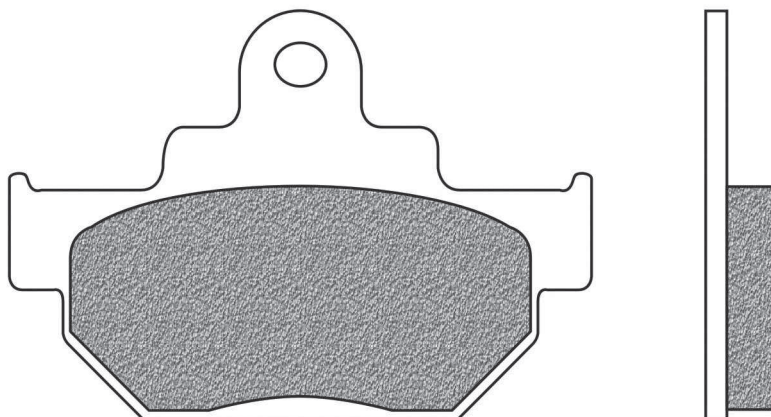
FIGURATO PASTIGLIE CON APPLICAZIONI | BRAKE PADS DRAWINGS AND APPLICATIONS | DESSINS PLAQUETTES AVEC APPLICATIONS |
DISEÑOS PASTILLAS CON RELACION | ZEICHNUNGEN VON BREMSBELÄGE MIT VERWENDUNGSLISTE



FD0095

BT

D1 (mm): 77x54x9,4 (lxhxsp.)



APRILIA	Year	A/P
TUAREG 125 RALLY	91->92	A

JINCHENG	Year	A/P
JC 125 7B	97->	A

MALAGUTI	Year	A/P
RUNNER 125 YLC	85->	A

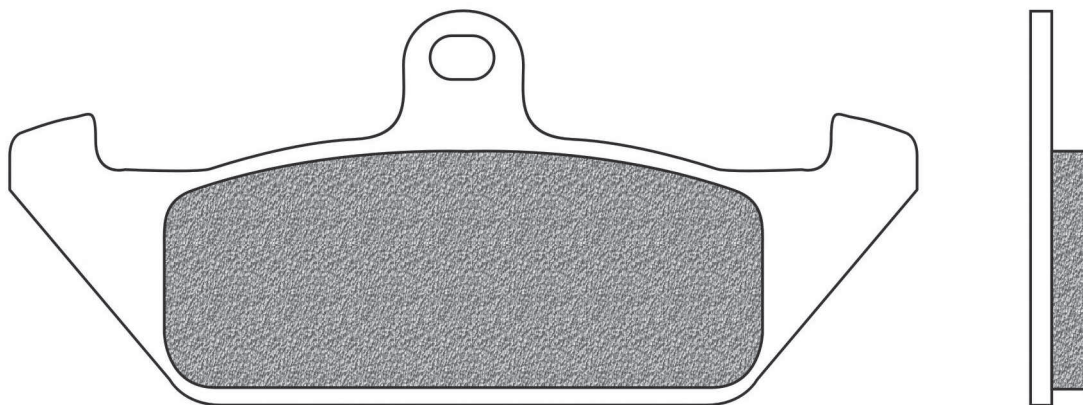
SUZUKI	Year	A/P
DR 250 S	85	A
DR 600 R	86->89	A

DR 600 R DAKAR-DJEBEL	87->88	A
DR 600 S	86->88	A
SP 600	85->	A
DR 650 RS-R DAKAR	90	A
VS 800 S INTRUDER	91->99	A

FD0096

BT

D1 (mm): 120x52x8 (lxhxsp.)



CAGIVA	Year	A/P
ALA AZZURRA 350 GT	87->	P
ELEFANT 350	85->	A
ELEFANT 650	85->	A

DAKAR 750	87->	A
ELEFANT 750	87->89	A

DUCATI	Year	A/P
350 INDIANA	87->	A
650 INDIANA	87->	A

LAVERDA	Year	A/P
OR 600	86->	P
OR 600 ATLAS	87->	A

MOTO GUZZI	Year	A/P
VT 650 TT BAJA	86->	A

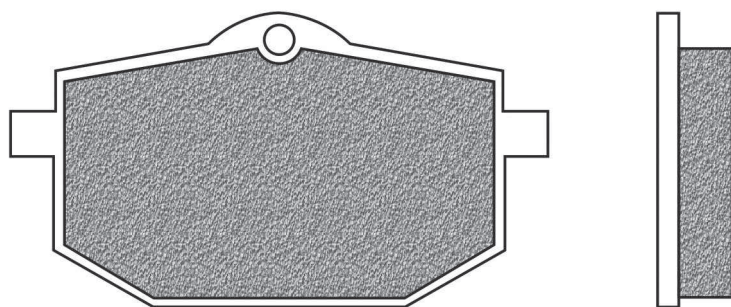
MOTO MORINI	Year	A/P
WS 350 PRO ACTION	93->	A

YAMAHA	Year	A/P
DT 125 CHESTERFIELD SCOUT	88	A
DT 125 LC TENERE	88->	A

FD0097

BT

D1 (mm): 71x39x9,8 (lxhxsp.)



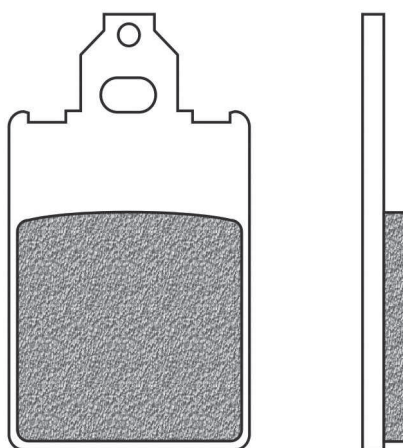
MOTO GUZZI	Year	A/P
NTX 750	90->	A

YAMAHA	Year	A/P
RT 180	90->94	A
XT 600 4 VALVES	87->90	A
XT Z 600 TENERE	85->90	A

FD0098

BA | BE

D1 (mm): 32x57,5x5,5 (lxhxsp.)



ACCOSSATO	Year	A/P
50 ENDURO CODICE	89->	P
CE 50	87->	P
KR 80	87->	P

APRILIA	Year	A/P
AFI 50	89	A
AFI 50 AE all models	87->88	A
AFI 50 EUROPA	90->92	A
AFI 50 FUTURA	90->92	A
ET 50 AE	87->	A
ETX 50	86->	A
EUROPA 50	91->92	A
RED ROSE 50	88->91	A
RX 50	89->91	A
TUAREG 50	87->	A
TUAREG 50 (freno a disco)	84->86	A
TUAREG 50 RALLY	90->92	A
CLASSIC 80	93	A
CLIMBER 240	88->94	A
CLIMBER 240	91->94	P
TRX 240 M	89->	A/P
CLIMBER 275	89->92	A

ATK (USA)	Year	A/P
ATK 560	89->91	P
ATK 604 QUADRACER	90->	P

BENELLI	Year	A/P
CHRONO 50	92->93	A

BETA	Year	A/P
ALP 50	91->	P
CHRONO 50	92->94	A
KR 50	87->	A
KR 50 ADVENTURE	87->	A
TR 34 125	88	P
TR 34 250	87->88	P
TR 34 250 PROFESSIONAL	89->	P
TR 34 260	87->88	P

DERBI	Year	A/P
GPR 50 SPORT	96->01	A
GPR 75 SPORT	90	A

FANTIC	Year	A/P
FAST 50	88->	A
OASIS 50 0,1	86->87	A
OASIS 50 .1 K.S.	87->	A
OASIS 50 .1 RALLY	86->	A
OASIS 50 .1 KICK	87->	A

GARELLI	Year	A/P
SAHEL 50	91->	A
TIGER 50 XLE	86->	A
SAHEL 80	89->	A

GILERA	Year	A/P
EAGLET 50	96->	A

KTM	Year	A/P
GO 50 SCOOTER	94->	A

MALAGUTI	Year	A/P
CENTRO 50 SL	94->98	A
F 12 50 PHANTOM LC	99->00	A
F 12 50 PHANTOM Twin disk	98	A
F 15 50 FIREFOX	96->97	A
F 15 50 FIREFOX Twin disk	98->	A
MDX GOLD 50 ENDURO	87->	A
MLX 50 ENDURO	87->	A

MBK	Year	A/P
X-LIMIT 50	98->00	A

PIAGGIO	Year	A/P
FREE 50	96->	A

RIZZATO	Year	A/P
ATALA CAROSELLO 50	97->	A

YAMAHA	Year	A/P
DT 50 R	97->01	A

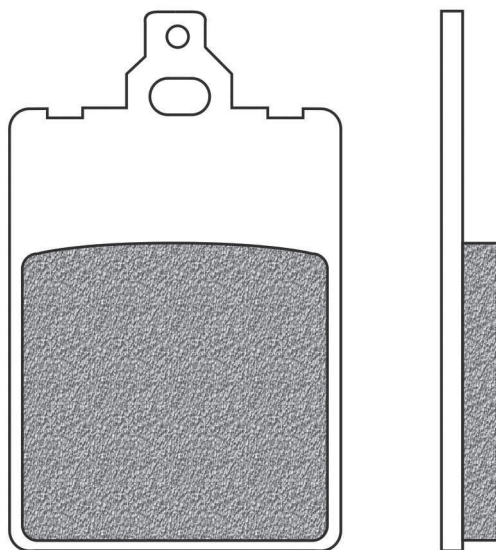
FIGURATO PASTIGLIE CON APPLICAZIONI | BRAKE PADS DRAWINGS AND APPLICATIONS | DESSINS PLAQUETTES AVEC APPLICATIONS | DISEÑOS PASTILLAS CON RELACION | ZEICHNUNGEN VON BREMSBELÄGE MIT VERWENDUNGSLISTE



FD0099

BT

D1 (mm): 44x71,5x7,3 (lhxsp.)



GRIMECA

front

Year

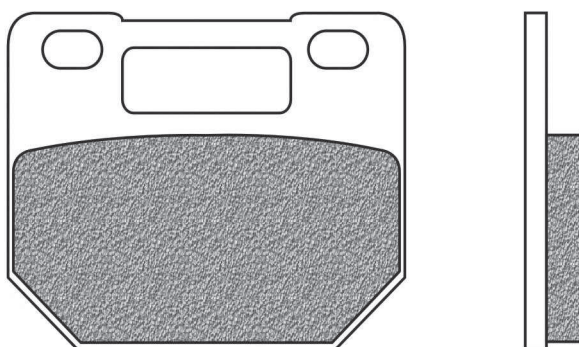
A/P

A

FD0100

BT

D1 (mm): 52,5x44,5x7,2 (lhxsp.)



SUZUKI

RG 80 GAMMA

RG 125 W GAMMA

Year

A/P

88->93

86->90

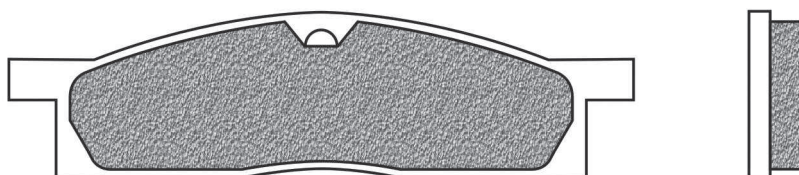
A

A

FD0102

SD

D1 (mm): 82,5x22x7,1 (lhxsp.)



YAMAHA

YZ 65

YZ 80

YZ 85

TTR 125 LW

Year

A/P

18->20

86->01

02->20

00->20

A

A

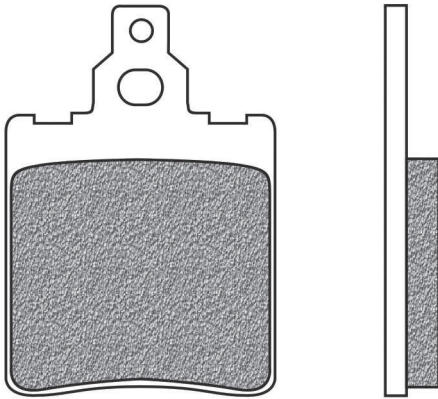
A

A

FD0103

BT

D1 (mm): 35,5x51,5x7 (lhxsp.)



APRILIA	Year	A/P
RX 50	92->98	P
RX 50 RACING	03->06	P
TUAREG 50	87->	P

BETA	Year	A/P
KR 50	87->	P
KR 50 ADVENTURE	87->	P

FANTIC	Year	A/P
OASIS 50 0,1	86->87	P
SPORT 125 HP1 (FM.265)	85->	A

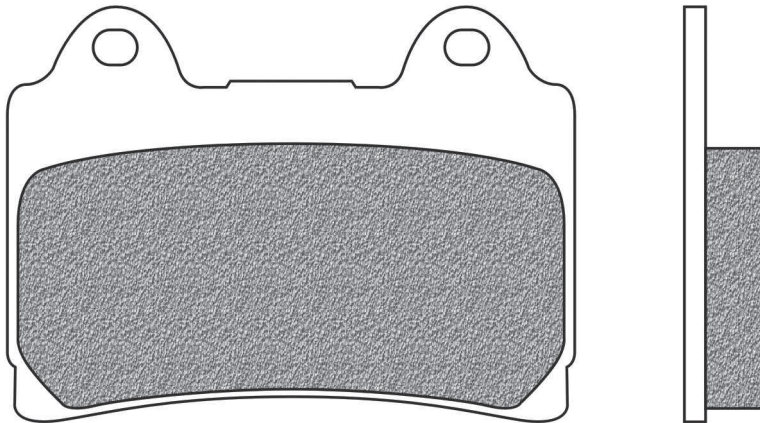
GARELLI	Year	A/P
TIGER 125 XLE	86->	P

FD0104

BT

TS

D1 (mm): 75x55x10,8 (lhxsp.)



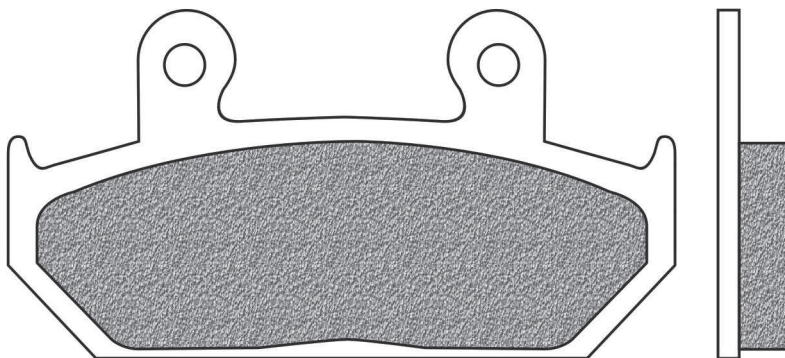
YAMAHA	Year	A/P
FZR 250	87	A
R1 250 Z	97->	A
TDR 250	88->92	A
TZ 250	85->87	A
TZ 250 COMPETITION	88->89	A
TZR 250	87->92	A
FZR 400 R	89	A
FZR 400 RSP	87	A
SRX 400	87->89	A
SRX 600	88->89	A
TDM 850	91->95	A
FZR 1000 GENESIS	86->89	A
FJ 1200	89->91	A
XJR 1200	95->97	A
XV 1300 AH/ATH ROYAL STAR	96->	P
XVZ 1300 ROYAL STAR	96->00	A / P
XVZ 1300 TD	89->90	A / P
XVZ 1300 TF ROYAL STAR VENTURE	00	P
XV 1600 ROAD STAR SILVERADO	99->02	P
XV 1600 WILD STAR SILVERADO	99->04	P
XV 1700 ROAD STAR WARRIOR	02	P

FD0105

BT

TS

D1 (mm): 88x46x9,8 (lhxsp.)



HONDA	Year	A/P
CB 125 TT	90->	A
NV 400 C STEED	92->93	A
NV 400 CUSTOM	88->	A
NX 500 DOMINATOR	88->96	A
NV 600 C	88->	A
VLX 600 SHADOW	88->91	A
VT 600 C SHADOW	88->93	A
XL 600 VTRANSALP	91->93	A
NX 650 DOMINATOR	88->96	A
XRV 650 AFRICA TWIN	88->90	A
CBR 750 F HURRICANE	87	A
CBR 750 SUPER AERO	87	A
VFR 750 F INTERCEPTOR	86->87	A
CBR 1000 F	87->88	A
CBR 1000 R HURRICANE	87->88	A
GL 1500 GOLDWING	88->00	A
GLX 1500	88->	A

CAGIVA	Year	A/P
ELEFANT 750	93->95	A
CANYON 900 I.E.	97->	A

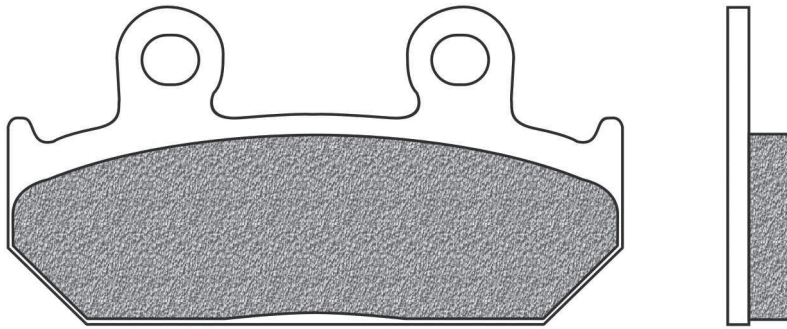
ELEFANT 900 I.E. - GT - AC	91->94	A
ELEFANT 906	90->	A

FIGURATO PASTIGLIE CON APPLICAZIONI | BRAKE PADS DRAWINGS AND APPLICATIONS | DESSINS PLAQUETTES AVEC APPLICATIONS |
 DISEÑOS PASTILLAS CON RELACION | ZEICHNUNGEN VON BREMSBELÄGE MIT VERWENDUNGSLISTE



FD0106
BT | TS

D1 (mm): 81x42x8,8 (lxhxsp.)

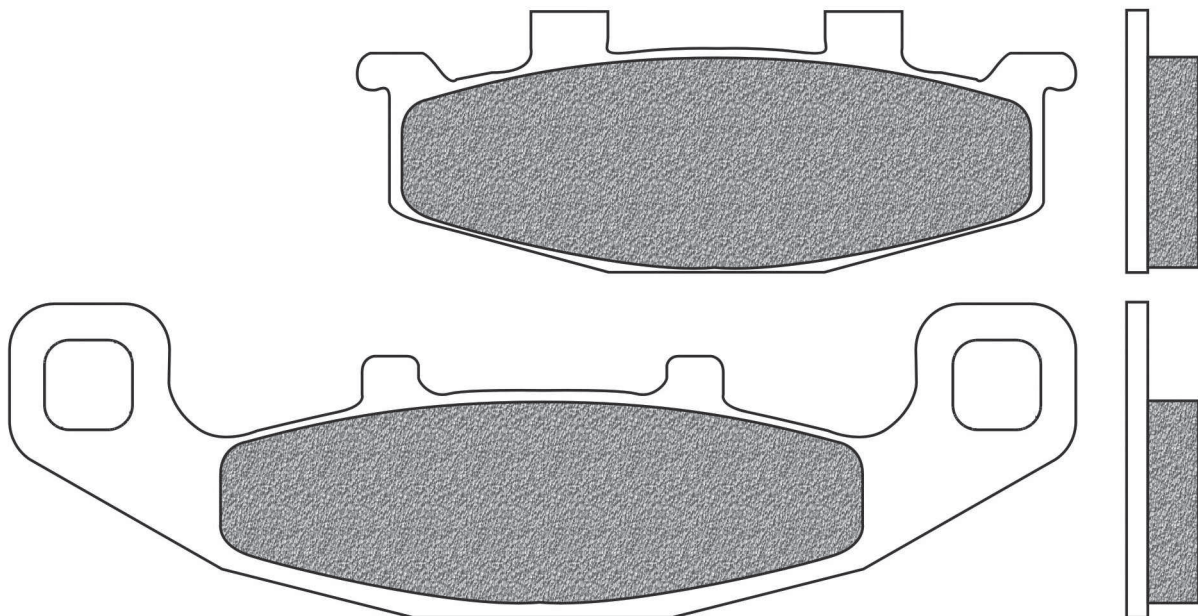


HONDA	Year	A/P
CBR 250 R HURRICANE	86	A
NSR 250	86->	A
NSR 250 R	86->87	A
VT 250 F INTEGRA	87->	A
CB 350 SG	86->88	A
CBR 400 R HURRICANE	86	A
VFR 400 R	85->88	A
CBX 450 S	87->	A
CBR 500 F	87->90	A
CBR 600 F	87->94	A
NTV 600 REVERE	88->91	A
XRV 750 R AFRICATWIN	90->93	A

FD0108
BT | TS

D1 (mm): 141x42x9,5 (lxhxsp.)

D2 (mm): 95x35x9,5 (lxhxsp.)



HYOSUNG	Year	A/P
GT 250 COMET	02	A
COMET 600	02	A

KAWASAKI	Year	A/P
EX 250	90->	A
EX 250 R NINJA	98->07	A
GPX 250 R	88->95	A
GPX 250 R NINJA	87	A
KDX 250 BALIUS	91->	A
KLE 250 ANHELO	95->01	A
KR-1 250	88	A
ZR 250 BALIUS	91->95	A
ZZR 250	90->03	A
EX 4 400	95->	A
GPX 400 R	87	P
GPZ 400 R (ZX 400)	88	P
KLE 400	91	A
ZL 400	94->95	A
ZR 400 ZEPHYR (ZR-C)	89->92	A
ZRX 400	94->95	A
ZZR 400	90->92	P

ER-5 500 TWISTER	97->00	A
EX 500 all models	87->93	A
EX 500 NINJA	94->97	A
GPZ 500 S	93	P
GPZ 500 S	94->04	A
KLE 500	91->07	A
ZZR 500	90->	P
ZR 550 ZEPHYR	90->99	A
GPX 600 R	88->96	A/P
KLE 600	92	A
ZL 600 ELIMINATOR	95->99	A
ZX-6R 600 (ZX 6)	90->93	P
ZZR 600	90->92	P
KL 650 TENGAI	89->92	A
GPX 750	87->89	A/P
ZR 750 ZEPHYR	91->95	A
ZR 750 ZEPHYR	91->98	P
ZX 750 F2 NINJA	88->	A/P
GPZ 900 R	90->96	P
GPZ 900 R (ZX)	98->02	P
GPX 1000 R	88->	A/P
GTR 1000	94->06	A

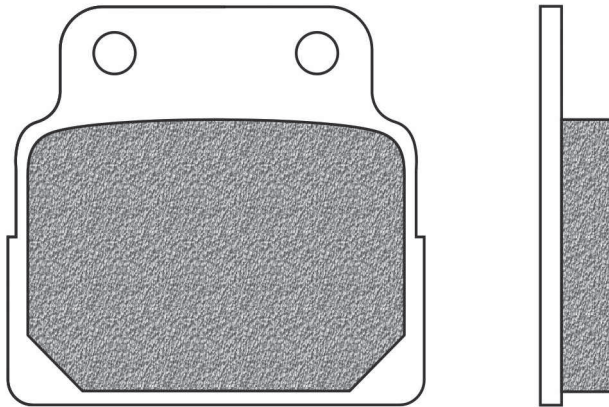
ZX-10 1000	88->90	A/P
ZR 1100 ZEPHYR (ZR 1100 A)	92->98	P
ZR 1100 ZEPHYR RS	02	P
ZZR 1100 GT (ZX 1100)	90->92	P

SUZUKI	Year	A/P
RG 125 UN WOLF (NAKED)	92->94	A
RG 200 WOLF	93->	A
ACROSS 250	90->98	A
GSF 250 BANDIT (GJ74A)	92->96	A
GSX 250 ACROSS	90->98	A
GSX 250 S KATANA	91	A
SW1 250	92	A
GSF 400 BANDIT	91->94	A
GS 500 E	89->95	A
DR 800 BIG all models	91->93	A
VX 800	90->96	A
GSX 1100	91->95	A

FD0109

BT

D1 (mm): 55x53x9,4 (l x h x sp.)



HONDA	Year	A/P
CB 400 NS (BRASIL)	85->	A
CB 450 DX	89->	A / P

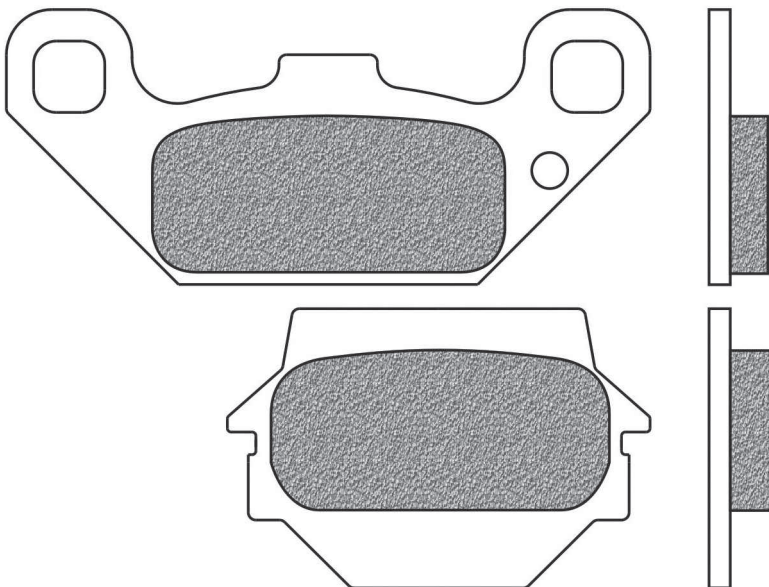
SUZUKI	Year	A/P
GS 450 E	90->	A / P

FD0110

SV

D1 (mm): 85x36,5x7,5 (l x h x sp.)

D2 (mm): 55,5x37x10 (l x h x sp.)



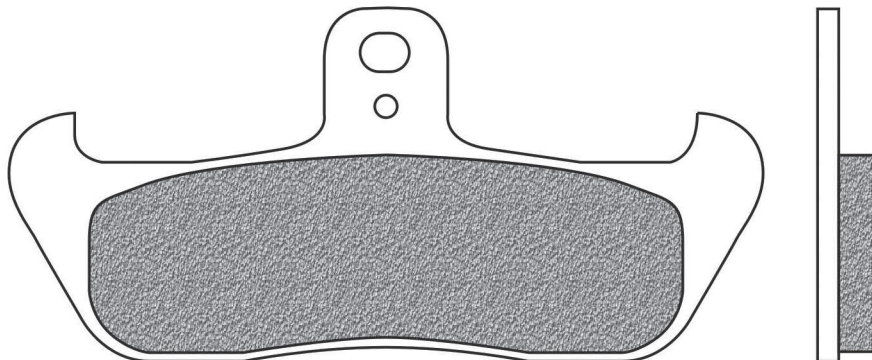
KAWASAKI	Year	A/P
KSF 250	94->04	A
KXF 250 TECATE A1/A2	87->88	A
KEF 300 LAKOTA (2WD) A1/ A6	95->00	A
KEF 300 LAKOTA SPORT	01->02	A

SUZUKI	Year	A/P
LT 230 E	86->93	A
LT 230 S	85->88	A
LT 250 R	87->90	A
LT 250 RF/RG	85->86	A
LT-R 250	08->	A
LT 500 R	90->91	A

FD0113

BT

D1 (mm): 100x47x8,3 (l x h x sp.)



ALFER	Year	A/P
AR 250	92	A
GR 300 ENDURO	89->	A

APRILIA	Year	A/P
AFI 125	89->91	A
TUAREG 350 WIND	89	A

CAGIVA	Year	A/P
WMX 50	89->	A
N 90 ENDURO	90->	A
CRUISER 125	87->	A

FIGURATO PASTIGLIE CON APPLICAZIONI | BRAKE PADS DRAWINGS AND APPLICATIONS | DESSINS PLAQUETTES AVEC APPLICATIONS |
DISEÑOS PASTILLAS CON RELACION | ZEICHNUNGEN VON BREMSBELÄGE MIT VERWENDUNGSLISTE



... FD0113

... segue CAGIVA	Year	A/P
FRECCIA 125	87	A
FRECCIA 125 C9	88	A
WMX 125 CROSS	87->	A
WMX 250 CROSS	87->	A
ELEFANT 750 BIFARO	90->92	A

GILERA	Year	A/P
APACHE 125	91->	A
RC 125 TOP RALLY	89->	A
RC 600	89->90	A
RC 600 TOP RALLY	90->	A

HM	Year	A/P
CRE 50 (fino a telaio nr.1000)		A

HUSABERG	Year	A/P
MC 350	91->93	A
500 all models	91->	A
501 ENDURO		A
600 ENDURO		A

HUSQVARNA	Year	A/P
CR 125	91->95	A
WR 125	87->97	A
WRE 125	88->94	A
CR 240	87->	A
WR 240	87->90	A
WRK 240	88->	A
WR 250	87->97	A

XC 250	87->	A
WR 260	91->	A
WRK 260	88->	A
TE 350	90->95	A
WR 360	92->94	A
WR 400	87->	A
AE 430	88->	A
AUTO 430	87->	A
CR 430	87->	A
WR 430 AE	87->	A
XC 430	87->	A
XC 500	87->	A
TC 510	88->92	A
TE 510	88->90	A
TE - AC - LC 510	87->	A
WRK 600	89->	A

KRAM IT	Year	A/P
ER 125 RV 3	88->93	A
ER 250 RV 3		A
MC 250	89	A
ER 300 RV 3	88->	A

LAVERDA	Year	A/P
CR 600 CRUISER	87->	A

MOTO MORINI	Year	A/P
COGAURO 350	90->	A
DART 350	88->89	A
EXALIBUR RLX 350	90->	A

NEW YORK 350	89->	A
EXCALIBUR 501	89->	A
NEW YORK 501	89->	A

TM	Year	A/P
all models 80	86->93	A
GS 80	86->89	A
all models 125	90->93	A
GS 125	86->89	A
MC 125	86->89	A
CROSS 400	->00	A

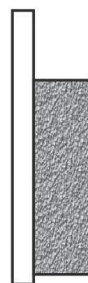
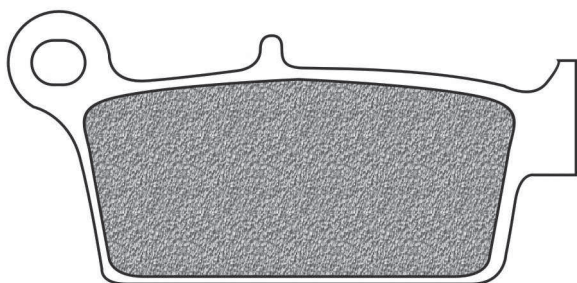
YAMAHA	Year	A/P
DT 80 LC (España)	89->	A
DT 125 CHESTERFIELD SCOUT	89->	A
TDR 125 (Italia)	89->93	A
TDR 125 R LIGHTBURNER	93->94	A

ZANELLA	Year	A/P
PATAGONIA 125	92->	A

FD0114

D1 (mm): 75x36x10,5 (lxhxsp.)

BD | SD | X01



FSR 450 SM	08->	P
PAMPERA 450	07->08	P
EC 510 FSE/FSR	05->08	P
SM 515 FSR	07->08	P

HM	Year	A/P
CRE 50	06->13	P
CRE 50 DERAPAGE COMPETITION	07->11	P
CRE 50 SIX COMPETITION	07->11	P
CRE F 125 X SIX	10->11	P
CRM B 125 2T DERAPAGE COMPETITION	11->12	P
CRM F 125 2T X DERAPAGE COMPETITION	10->11	P

HONDA	Year	A/P
CRM 50 R	93->96	P
NSR 50 (Spagna)		P
CRM 75 R	89->94	P
YUPY 75	91->	A
CR 80 R	92->02	P
CRM 80	93->	P
NSR 80 R	87->99	P
CR 85	03->07	P
NSF 100	06->	P
CR 125 R	87->01	P
CR 125 SUPERMOTARD	00->	P
CRM 125	90->99	P
XLR 125	93->	P
XLR 125 R	98->01	P
XLR 200 R	93->	P
CRF 230 EASY (rear disc)	08->	P
CRF 230 L	08->10	P
CRF 230 M	09->15	P
SL 230	97->01	P
CR 250 R	87->01	P
CR 250 SUPERMOTARD	98->01	P
CRM 250 ACTIVE RADIAL	97->98	P
CRM 250 R	89->96	P

AJP	Year	A/P
PR5 250 ENDURO	09->	P
PR5 250 SUPERMOTARD	09->	P

BRAKING	Year	A/P
Cross rear 2 piston		A

CPI	Year	A/P
SAHEL 125	02->	P

FANTIC	Year	A/P
MX 50 REGOLARITA COMPETIZIONE	08->	P
REGOLARITA 50 COMPETIZIONE	08->	P
MX 65 REGOLARITA COMPETIZIONE	08->	P
REGOLARITA 80 COMPETIZIONE	08->	P
MX 85 REGOLARITA COMPETIZIONE	08->	P
REGOLARITA 125 COMPETIZIONE	08->	P
SUPERSEI 125 MOTARD	08->	P

GAS GAS	Year	A/P
EC 125 MC	00->07	P
EC 125 MX	02->07	P
EC 125 SM	02->07	P

EC 125 SYXDAYS	10	P
MC 125	03->	P
SM 125	02->	P
EC 200 2T	00->10	P
EC 200 MX	02->10	P
EC 200 SM	02->07	P
EC 200 SYXDAYS	10	P
EC 250 2T	00->10	P
EC 250 MX	01->07	P
EC 250 SM	02->07	P
MC 250	00->09	P
SM 250	02->	P
EC 300 2T	00->10	P
EC 300 MC	02->10	P
EC 300 SM	02->07	P
EC 300 SYXDAYS	10	P
EC F 300 4T	13->15	P
EC 400 FSE	03->04	P
FSE 400 SM 4T	02->07	P
PAMPERA 400	06->07	P
EC 450 FSE	05->09	P
EC 450 FSR	05->09	P
EC F 450 4T	13->15	P

... FD0114

... segue HONDA	Year	A/P
XL 250	90	P
XLR 250 R	91->	P
XLR 250 R BAJA	91->	P
XR 250	00->03	P
XR 250 BAJA	00->03	P
XR 250 L	91->	P
XR 250 MOTARD	03->05	P
XR 250 R	90->04	P
CRE 260	90->	P
XR 300	10->	P
XR 400 R	96->05	P
XR 400 SUPERMOTARD	05->08	P
XR 440 R (DALLARA)	99->	P
CR 500 R	87->01	P
XR 600 L - R	93->00	P
XR 600 R	91->92	P
XR 650 L	93->12	P
XR 650 R	00->07	P

HYOSUNG	Year	A/P
XR 400	05->	P

KAWASAKI	Year	A/P
KX 125	95->08	P
KDX 250 K2-K4	95->	P
KLX 250	14->18	P
KLX 250 S	06->17	P
KLX 250 SF	09->12	P
KLX 250 TRACKER	98->03	P
KX 250	95->08	P
KLX 300	97->06	P
KLX 400 R	03->04	P
KLX 400 SR	03->04	P
KX 500	95->04	P
KLX 650 R	96->97	P

KYMCO	Year	A/P
COBRA 50 CROSS	99->00	A
COBRA 50 RACER	99->00	A
SUPER 9 50	00->01	A
ZX 50 SUPER FEVER	02->06	A
MANBOY 90	96->01	A
SUPER 9 125	00->01	A
SUPER 9 200	00->	A

SHERCO	Year	A/P
ENDURO 450 4.5 I	04	P

SUZUKI	Year	A/P
DR 125 SM	08->12	P
RM 125	96->12	P
LX 250 L (SBK2)		P
RM 250	96->08	P
RMX 250	96->99	P
DR Z 400 E	00->09	P
DR Z 400 S	00->08	P
DR Z 400 SM	05->09	P

TM	Year	A/P
EN 125	01->14	P
MX 125	01->14	P
SMR 125	05->	P
EN 144	14	P
EN 250	01->14	P
EN 250 F	01->14	P
MX 250	05->14	P
MX 250 F	05->14	P
all models 300	01->04	P
MX 300	14	P
all models 400 4T	01->	P
SMF 400 F	02	P
SMR 400 F	03	P

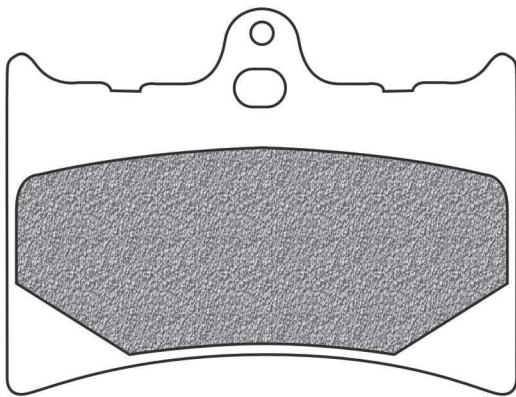
MX 450 F	14	P
SMR 450 F ES	02->04	P
SMX 450 F	03->	P
EN 530 F	05->14	P
MX 530 F 4T	05->14	P
SMR 530 F ES	03->	P
SMX 600 F	03->04	P
SMX 660 F	05->	P

YAMAHA	Year	A/P
WR 125	98->12	P
YZ 125	98->02	P
TT R 250	00->	P
WR 250	98->00	P
WR F 250	01->02	P
WR R 250	08->15	P
WR X 250	08->16	P
YZ 250	98->02	P
YZ-F 250	01->02	P
WR F 400	99->02	P
YZ-F 400	99	P
WR F 426	00->02	P
YZ-F 426	00->02	P

FIGURATO PASTIGLIE CON APPLICAZIONI | BRAKE PADS DRAWINGS AND APPLICATIONS | DESSINS PLAQUETTES AVEC APPLICATIONS |
DISEÑOS PASTILLAS CON RELACION | ZEICHNUNGEN VON BREMSBELÄGE MIT VERWENDUNGSLISTE

FD0115

D1 (mm): 67,5x51x7 (lxhvsp.)



ALFER	Year	A/P
MC 125	88->	A
GR 250 ENDURO	88->	A
MC 250	88->	A
GR 300 ENDURO	89->	P

APRILIA	Year	A/P
AF1 125 EUROPA	90->92	A
AF1 125 FUTURA	90->91	A
AFI 125 SINTESI	88->	A
AFI 125 SINTESI REPLICA	89->91	A
RS 125	92->05	A
RS 125 PISTA	05->	A
SPORT PRO 125	93->	A

TUONO 125	03->07	A
AF1 250 REPLICA	90->	A

ATK (USA)	Year	A/P
ATK 250 CC/MX	91->92	A
ATK 350 ES/CC/MX/STD	91->92	A
ATK 406 CC/MX	91->92	A
ATK 560	89->91	A
ATK 604	91->	A
ATK 604 ES/CC/MX/STD	91->92	A
ATK 604 QUADRACER	90->	A

BENELLI	Year	A/P
DEVIL 50	92->	A

SPRING 50	92->	A
DEVIL 80	95->	A
125 JARNO	89->	A

GILERA	Year	A/P
CRONO 125	91->	A
CX 125	91->	A
GFR 125	93->94	A
MX-I 125	88->89	A
MXR 125	90->	A
SP 01 125	89	A
SP 02 125	90->	A
RC 600 NORDWEST	90->	A

KTM	Year	A/P
CHRONO 50 SCOOTER	94->	A
EXC 125	87	A / P
GS 125	87	A / P
MX 125	87	A / P
GS 250	87	A / P
MX 250	87	A / P
GS 300	87	A / P
ENDURO 400	87	A / P
MX 500	86->87	A / P
GXE 550	86->87	A / P
MX 550	87	A / P
600 ENDURO	86->87	A / P

MOTO GUZZI	Year	A/P
QUOTA 1000	92->97	A

TM	Year	A/P
CROSS - ENDURO 125	89->95	A

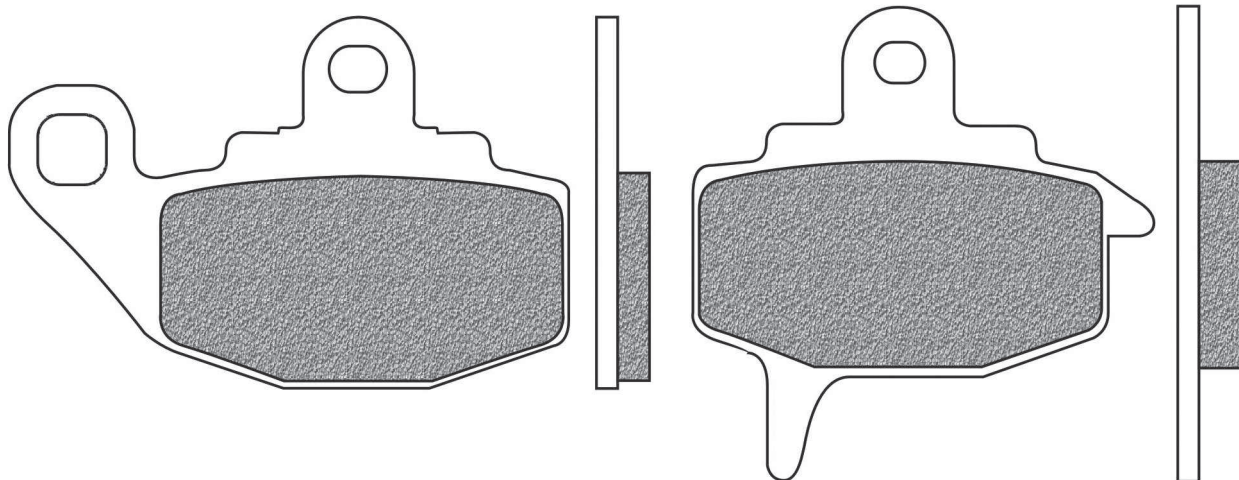


FD0116

BT

D1 (mm): 74x49x6,6 (lxxhxp.)

D2 (mm): 61x62,5x8,9 (lxxhxp.)



KAWASAKI

	Year	A/P
KX 125	87->88	A
KX 250	87->88	A

KX 500

KLR 650

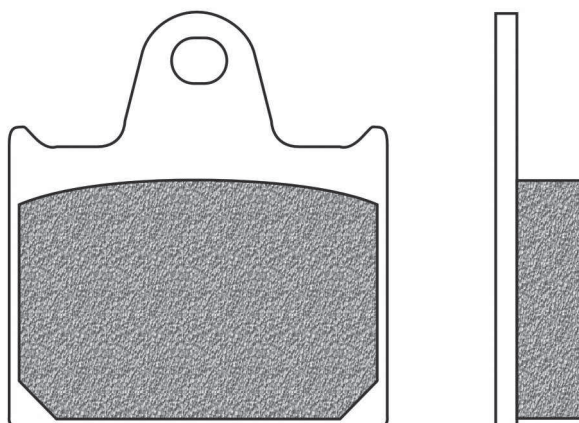
87->88 A

87->94 A

FD0117

BT

D1 (mm): 50x55x11,3 (lxxhxp.)



HONDA

VF 1000 R

Year

84->86

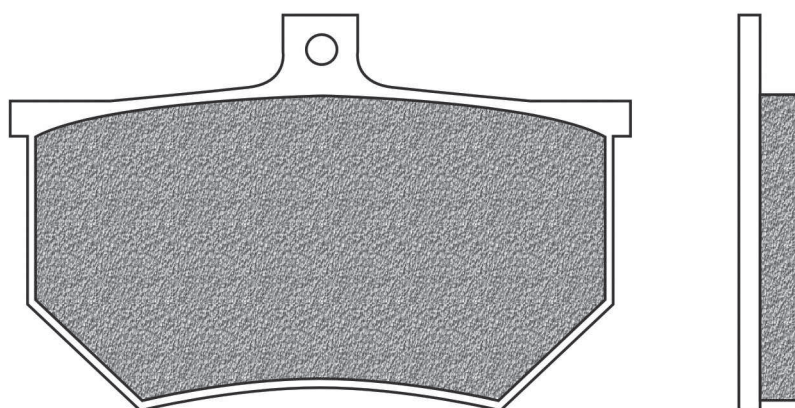
A/P

P

FD0118

BT

D1 (mm): 82x52x8 (lxxhxp.)



LOCKEED

Racing (82x52x8)

Year

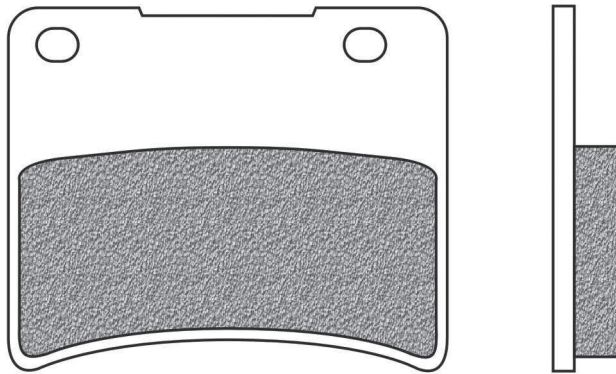
A/P

A

FD0119

BT

D1 (mm): 58x48x8,7 (lxhxsp.)



SUZUKI	Year	A/P
GF 250 S	86->	A
RG 250 F GAMMA	85->88	A
RG 250 W GAMMA	84	A
GSX 400 R2 (GK71B)	85->86	A
GSX-R 400 (JAPAN)	85->	P
VL 1500 LC INTRUDER	98->01	P

FIGURATO PASTIGLIE CON APPLICAZIONI | BRAKE PADS DRAWINGS AND APPLICATIONS | **DESSINS PLAQUETTES AVEC APPLICATIONS** |
DISEÑOS PASTILLAS CON RELACION | ZEICHNUNGEN VON BREMSBELÄGE MIT VERWENDUNGSLISTE

FD0120

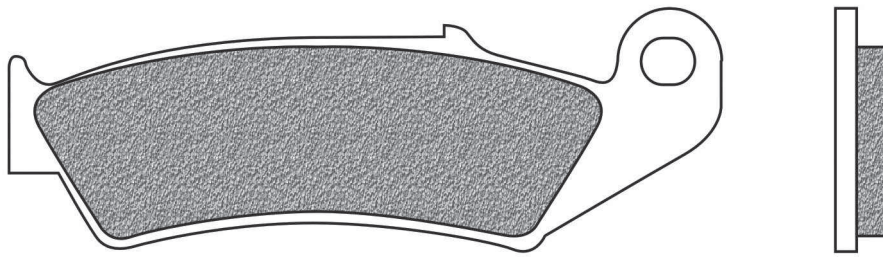
BD

BT

SD

X01

D1 (mm): 94,5x32x7,3 (lxhxsp.)



HONDA	Year	A/P
CRM 75 R	89->94	A
CR 125 R	87->94	A
CRM 125	90->99	A
NX 125 TRANSCITY	89->97	A
AX 1 250	89->94	A
CR 250 R	87->94	A
CRM 250 R	89->90	A

NX 250	88->90	A
NX 250 DOMINATOR	87->90	A
TRX 250 R FOURTRAX	86->89	A
TRX 250 X	86->89	A
XL 250	90	A
XLR 250 R BAJA	88->90	A
XR 250 R	90->95	A
CRE 260	90->	A

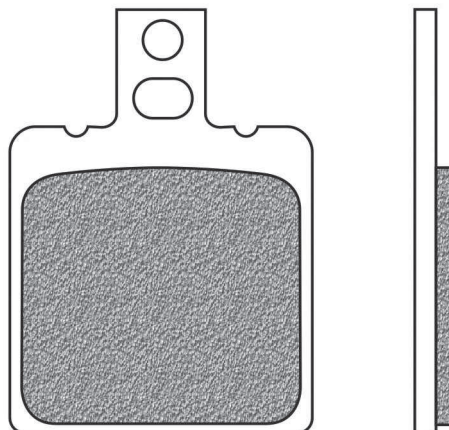
ATC 350 X	86	A
CR 500 R	87->94	A
XR 600 R	88->92	A
XR 650 L	93->95	A

YAMAHA	Year	A/P
WR F 400	98	A

FD0121

BT

D1 (mm): 40x56,5x5 (lxhxsp.)



GILERA	Year	A/P
R1 50	90->	A
RALLY 50	87->	A

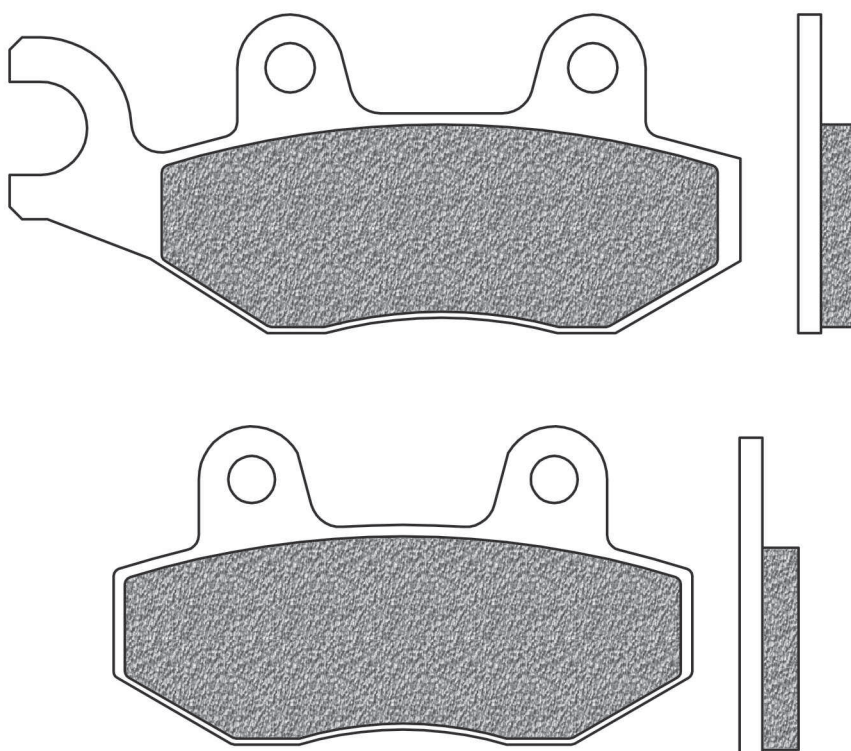
KTM	Year	A/P
GXE/GXR 50 ENDURO-BORA 25	86->	A
MX 80	89->90	A



FD0122
BA | BD | BE | BT | BV | SE | SD | TS

D1 (mm): 97x42x7,4 (lxlxhsp.)

D2 (mm): 76,5x42x7,8 (lxlxhsp.)



APRILIA	Year	A/P
SX 50 LIMITED EDITION	14->16	A
BENELLI	Year	A/P
CAFFENERO 125	08->	A / P
MACIS 125	10->	A / P
MACIS 150	10->	A / P
CAGIVA	Year	A/P
WR 125	93->	A
CANYON 500	96->00	A
CANYON 600	95->99	A
CAN AM	Year	A/P
COMMANDER 1 2x4 LSV / LSVE	13->15	A
COMMANDER 1 4x4 STD / XT / SLV	13->15	A
RYKER 600 ACE	19->20	A
COMMANDER 800 (model with locking rear diff)	14->15	A
COMMANDER 800 IS MARKET	13	A
COMMANDER 800 R / DPS / STD / XT / XTI	11->20	A / P
RYKER 900	19->20	A
COMMANDER 1000 R (model with locking rear diff)	14->15	A
COMMANDER 1000 R DPS / XT	20	P
COMMANDER 1000 R LTD	12->20	A / P
COMMANDER 1000 R STD / DPS / X / XT / XTP	12->19	A / P
COMMANDER 1000 X / IS MARKET	13	A
MAVERICK 1000 R XMR (dx/right)	14->18	A
MAVERICK 1000 STD / X RS / XXC (dx/right)	13->14	A
MAVERICK 1000 STD / XRS / XRS-DPS / XXC / XMR (dx/right)	13->18	A
CF MOTO	Year	A/P
CF 250 T-6A V-NIGHT (dx / right)	12	A / P
U FORCE 550	14->18	A
RANCHER 600	12	A
TERRACROSS 600	12	A
Z FORCE 600	13->15	A
TERRACROSS 625 EX	12->13	A
U FORCE 800	14->17	A
Z FORCE 800 EX	14->17	A
GARELLI	Year	A/P
XO 200	12->	A
HUSQVARNA	Year	A/P
125 ALL MODELS 1992	92	A
125 ALL MODELS 1993	93	A
250 ALL MODELS 1992	92	A
250 ALL MODELS 1993	93	A
TC 610	91->95	A

TE 610	Year	A
91->97		A
KAWASAKI	Year	A/P
BN 125 ELIMINATOR	00->07	A
KLX 125 / D-TRACKER	10->16	A
KX 125	89->93	A
KLX 140 L	08->18	A
KLX 150 D-TRACKER	16->18	A
KLX 150 L	14->15	A
KDX 200	90->94	A
KLX 230	20	A
KDX 250	91->93	A
KLX 250	14->18	A
KLX 250 S	09->17	A
KLX 250 SF	09->12	A
KX 250	89->93	A
KLF 300 BAYOU (C1/C12)	89->05	A
KLF 400 BAYOU 4x4	93->98	A
KR 500 ES	93->	A
KX 500	89->93	A
KLR 650	08->09	A
KVF 650 BRUTE FORCE 4x4i	05->11	A
KRF 750 TERYX 4x4	08->13	A
KVF 750	08->11	A
KVF 750 BRUTE FORCE 4x4i	05->15	A
KRF 800 TERYX 4	14->17	A
KRT 800 TERYX 4	14->17	A
ZX 1000 H2 SX	18->20	P
ZX 1000 H2 SX SE	18->20	P
KYMCO	Year	A/P
PEOPLE S 125 I	17->18	A
PEUGEOT	Year	A/P
DJANGO 50 HERITAGE	14->	A
DJANGO 125 HERITAGE	14->	A
GEOPOLIS 125 (pinza Nissin)	06->	A / P
GT 125 SATELIS SPORT	11->	A / P
VIVACITY 125	10->	A
DJANGO 150 HERITAGE	14->	A
GEOSTYLE 250	10->	A / P
GEOPOLIS 300 GT	14->	P
GEOPOLIS 300 PREMIUM (pinza Nissin)	10->	A / P
GEOPOLIS 300 RS (pinza Nissin)	10->	A / P
GEOSTYLE 300 (pinza Nissin)	10->	A / P
SATELIS 300	13->	A / P

GEOPOLIS 400 (pinze Nissin)	07->	A / P
GEOPOLIS 400 GT	14->	P
GEOPOLIS 400 RS	08->	P
SATELIS 400 I	14->	P
SATELIS 500	07->	P
PGO	Year	A/P
LIBRA 125	10->	A
X HOT 125	10->	A
SUZUKI	Year	A/P
EN 125	05->09	A
RM 125	87->95	A
TS 125	90->96	A
TS 200 R	90->	A
DR 250 S	90->95	A
RM 250	87->95	A
RMX 250	89->93	A
LT-F 300 KING QUAD	02	A
DR 350	90->97	A
BURGMAN 400 AN	07->19	A
LT-R 450	06->12	A
LT-A 500 F QUADRUNNER	00->01	A
LT-F 500 F QUADRUNNER	98->00	A
RM 500	87->	A
TRIUMPH	Year	A/P
TRIDENT 749	91->98	A / P
BONNEVILLE 790 (carb) T100 up to Eng No 211132	02->04	P
BONNEVILLE 790 (carb) Up to Eng No 282963-F2 / 273654-F4	01->06	P
BONNEVILLE 790 AMERICA (carb)	02->04	P
SPEEDMASTER 790 (carb)	03->04	P
AMERICA 865 (carb)	05->11	P
AMERICA 865 EFI	12->18	P
BONNEVILLE 865 (carb) T100 Eng No 211133 up	05->11	P
BONNEVILLE 865 EFI (ALLOY WHEELS) VIN 380777 up	09->15	P
BONNEVILLE 865 EFI T100	12->17	P
BONNEVILLE 865 Eng No 282964-F2 / 273655-F4 up	07->08	P
BONNEVILLE SE 865 EFI (ALLOY WHEELS) VIN 380777 up	09->12	P
SCRAMBLER 865 (carb)	06->08	P
SCRAMBLER 865 EFI	12->18	P
SPEEDMASTER 865 (carb)	05->10	P
SPEEDMASTER 865 EFI	11->17	P
THRUXTON 865 (carb)	04->07	P
THRUXTON 865 EFI	12->16	P
SPEED TRIPLE 885 EFI T509 up to 141871	97->98	P
TIGER 885 up to VIN 71698	93->98	A / P
BONNEVILLE 900 SPIRIT	15	P
BONNEVILLE 900 STREET CUP	17->18	P
BONNEVILLE 900 T100	16->20	P
BONNEVILLE 900 T100 BLACK	16->20	P
BONNEVILLE 900 T214	15	P
DAYTONA 900 SPRINT	93	A / P
SPEED TRIPLE 900 T509	97->01	P
STREET CUP 900	17->20	P
STREET SCRAMBLER 900	17->20	P
STREET TWIN 900	16->20	P
T100 BUD EKINS 900	20	P
THRUXTON 900	04->05	P
THRUXTON 900 ACE	15	P
TRIDENT 885 900	91->98	A / P
TROPHY 885 900	91->95	A / P
DAYTONA 955 T595	97->00	P
DAYTONA i 955	03->06	P
DAYTONA i 955 CENTENNIAL	02->04	P
SPEED TRIPLE 955 T595 up to 141871	99->01	P
SPEED TRIPLE i 955 955i VIN 141872 to 210444	02->06	P
SPRINT RS 955 FROM VIN 139277	02->05	P
SPRINT RS 955 up to VIN 139276	00->01	P
SPRINT ST 955 up to VIN 139276	99->01	P
SPRINT ST 955 VIN 139277 TO VIN 208166	02->04	P
TROPHY 1000	91->95	A / P
SPEED 94 1050	15->16	P
SPEED 94R 1050	15->16	P
SPEED TRIPLE 1050	05->18	P
SPEED TRIPLE R 1050	12->18	P
SPEED TRIPLE RS 1050	16->20	P

... FD0122

... segue TRIUMPH	Year	A/P
SPEED TRIPLE S 1050	16->20	P
SPRINT GT 1050	11->15	P
SPRINT GT 1050 ABS	11->18	P
SPRINT ST 1050 VIN 208167 up	05->10	P
TIGER SPORT 1050	15->19	P
BONNEVILLE 1200 T120	16->20	P
BONNEVILLE 1200 T120 ACE	19->20	P
BONNEVILLE 1200 T120 BLACK	16->20	P
BONNEVILLE 1200 T120 DIAMOND	19->20	P
SPEED TWIN 1200	20	P
T120 BUD EKINS 1200	20	P
THRUXTON 1200	16->19	P
THRUXTON R 1200	16->19	P
THRUXTON RS 1200	20	P
TIGER EXPLORER 1200	12->17	P
TIGER XCA 1200	18->20	P

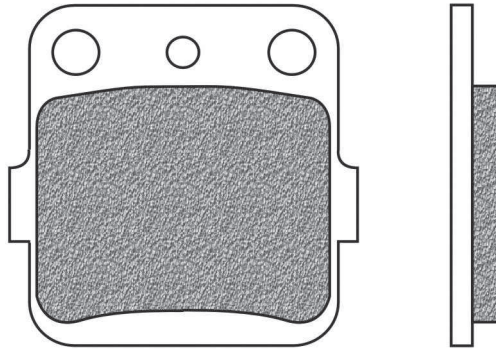
TIGER XCX 1200	18->20	P
TIGER XR 1200	18->19	P
TIGER XRT 1200	18->20	P
TIGER XRX 1200	18->20	P
TIGER XRX 1200 LOW	18->20	P
TROPHY 1180 1200	91->95	A/P
TROPHY SE 1215	12->18	P
YAMAHA	Year	A/P
FZR 50	92->	A
WR 125	91->97	A
XTZ 125	03->10	A
YZ 125	89->97	A
DT 200 WR	92->93	A
WR 200	92->94	A
DT 230 R LANZA	97->98	A
TT R 250	93->99	A
WR 250 Z	91->98	A

WR X 250	08->16	A
XT 250 LANDER (BRASIL)	07->09	A
YZ 250	89->97	A
YZ 360	89->	A
YZ 360 RALLY	90->93	A
YFZ 450	04->10	A
WR 500	92->93	A
XT E 500	00->	A
YXR 660 RHINO 4x4	04->09	A
YFM 700 R RAPTOR	06->19	A
YFM 700 R RAPTOR SPECIAL EDITION	13->20	A
YFM 700 RSEW / RSPX	07->12	A
YXR 700 F RHINO	08->14	A
XTZ 750 SUPER TENERE	89->95	A

FD0123

BD

D1 (mm): 46x45x6,5 (lxhxsp.)

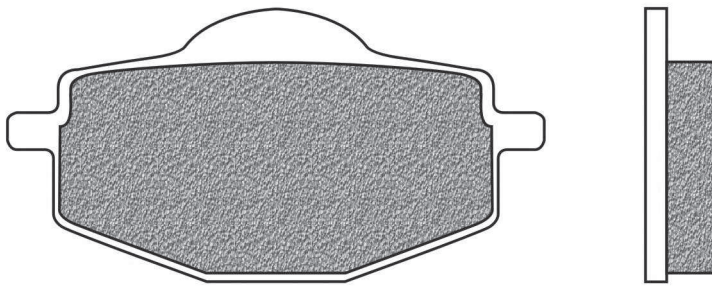


HONDA	Year	A/P
ATC 200 X	83->85	P
HUSQVARNA	Year	A/P
125 ALL MODELS 1993	93	P
250 ALL MODELS 1993	93	P
SUZUKI	Year	A/P
RM 125	88	P
LT 230 S	85->88	P
TS 240 X	88->	A
LT 250 RF/RG	85->86	P
RM 250	87->88	P
RM 500	87->	P
DR 800 Z	88->89	P
YAMAHA	Year	A/P
YZ 125	89	P
YZ 250	89	P
YZ 360	89->	P
YZ 360 RALLY	90->93	P

FD0124

BA | BE | BT | TS

D1 (mm): 71x36x9,2 (lxhxsp.)



GARELLI	Year	A/P
XO ELECTRIC 1	12->	P
XO 125	12->	P
XO 150	12->	P
XO 200	12->	P
GILERA	Year	A/P
APACHE 125	91->	P
RC 125 TOP RALLY	89->	P
RC 600	89->90	P
RC 600 R	91->	P
RC 600 TOP RALLY	90->	P
ITALJET	Year	A/P
MILLENIUM 125	->00	A
MILLENIUM 150	01->	A
MALAGUTI	Year	A/P
CENTRO 125 IE	08->09	P

CENTRO 125 SL	09->11	P
X3M 125 ENDURO	08	P
X3M 125 ENDURO MOTORE BRA	08	P
X3M 125 MOTARD	08	P
CENTRO 160 IE	08->09	P
CENTRO 160 SL	09->11	P
MBK	Year	A/P
XC 125 FLAME	98->	A
XC 125 FLAME R	96->99	A
YAMAHA	Year	A/P
FLY ONE 50	92->	A
TDR 50	90->	A/P
TZM 50 R	94->	P
TZR 50	90->92	P
DT 80 LC2 (53A)	85->92	A
TZR 80	92->98	P

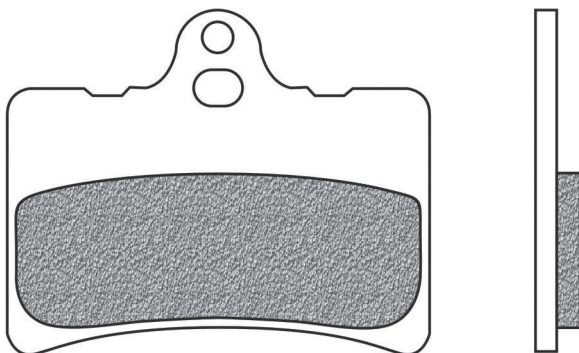
CYGNUS F 125 XC	00->	A
CYGNUS R 125 XC	99->03	A
CYGNUS R 125 XC K	97->98	A
DT 125 R	88->03	A/P
DT 125 RE	04	P
DT 125 RE	04->07	A
DT 125 TENERE SCOUT	90->	P
TD 125 R	93->	A/P
TDR 125	93->03	P
YBR 125 ED	05->06	A
YZ 125	88	P
CYGNUS GT 150 XC	90->95	A
FLY ONE 150 XC	90->95	A
FLY ONE R 150 XC	98->	A
TT R 225	01->	A
XT 225	97->00	A
XT 225 SEROW	85->92	A
YZ 250 TRI MOTO	85->86	A/P
YZ 250	88	P
YFZ 350 BANSHEE	87->89	A
400 ARTESIA	91->	P
XT 500	86->89	A
XT E 600	90->02	P
XT K 600	91->93	P
XT Z 660 TENERE	91->96	P

FIGURATO PASTIGLIE CON APPLICAZIONI | BRAKE PADS DRAWINGS AND APPLICATIONS | DESSINS PLAQUETTES AVEC APPLICATIONS
 DISEÑOS PASTILLAS CON RELACION | ZEICHNUNGEN VON BREMSBELÄGE MIT VERWENDUNGSLISTE



FD0125
BT

D1 (mm): 56x45,5x6 (lxhxsp.)

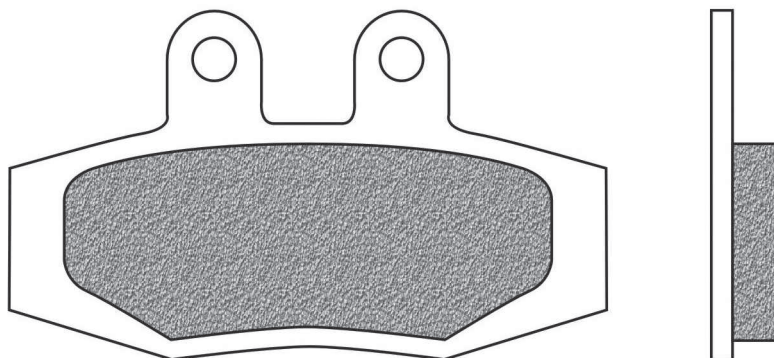


BETA	Year	A/P
TR 35 250	92->	A
TR 36 250	92->	A
ZERO 260 GARA - TECHNO - SYNT	93->	P
TECHNO 352	96->	P

CAGIVA	Year	A/P
PRIMA 50	92->	A
CITY 80	93->	A
PRIMA 80	92->	A

FD0126
BD
SD

D1 (mm): 79x46x9 (lxhxsp.)

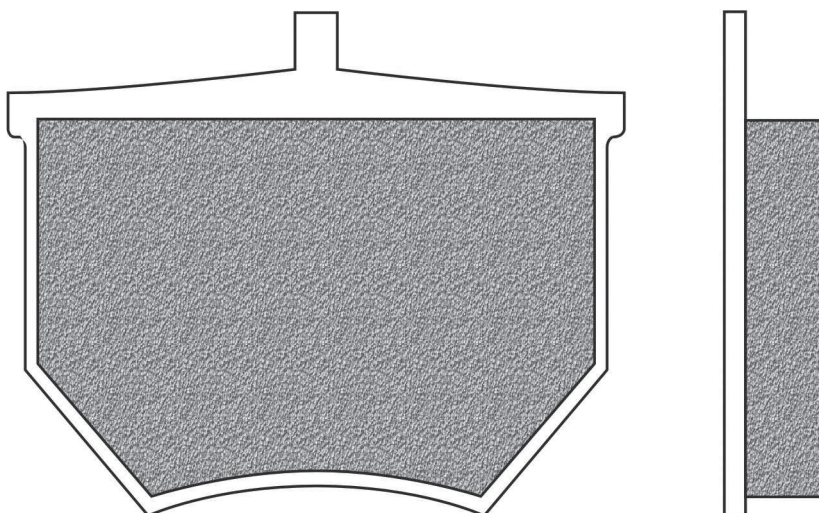


KTM	Year	A/P
125 ENDURO	89->90	A / P
EXC 125	88->89	A / P
EXC 125 (pinze Grimeca)	89	A / P
MX 125	88	A / P
MX 125 (pinze Grimeca)	89->93	A / P
ENDURO 250	89	A / P
EXC 250	90->91	A / P
MX 250	88->91	A / P
EXC/MX 500 (pinze Grimeca)	89->91	A / P
LC4 ENDURO 500	88->89	A / P
LC4 EXC/EGS 500 (pinze Grimeca)	90->91	A
MX 500	88->89	A / P

MAICO	Year	A/P
250 all models	88->	A / P
320 all models	88->	A / P
360 all models	88->	A / P
500 all models	88->	A / P

FD0127
BT

D1 (mm): 81,5x66,5x13 (lxhxsp.)

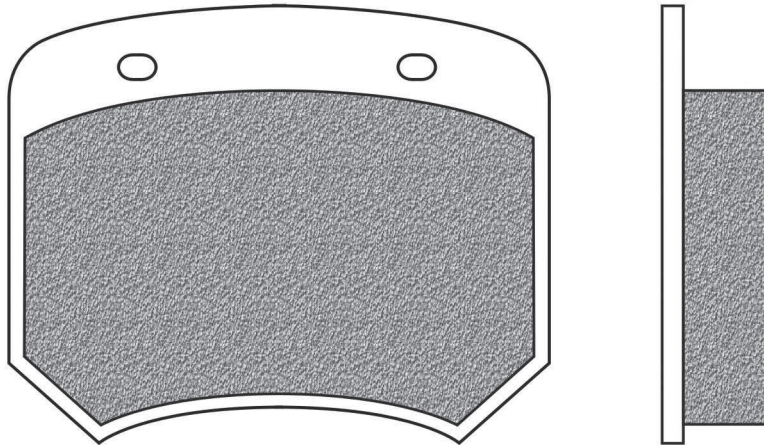


LOCKEED	Year	A/P
Racing (81,5x66,5x13)		A

FD0128

BT

D1 (mm): 71x58x14,5 (lxhxsp.)

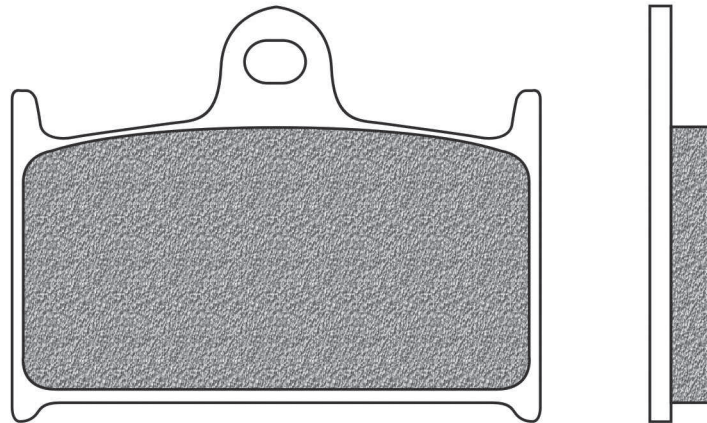


LOCKEED	Year	A/P
Racing (71x58x14,5)		A

FD0129

B4R | BT | SP | TS

D1 (mm): 70x55x8,5 (lxhxsp.)



MZ	Year	A/P
S 1000 (MUZ)	03->	A
SF 1000 (MUZ)	05->	A
SFX 1000 (MUZ)	07->	A
SN 1000 (MUZ)	05->	A
ST 1000 (MUZ)	06->	A

NISSIN	Year	A/P
4 Piston		A

SUZUKI	Year	A/P
RGV 250	88	A
GSX-R 400 R	90->95	A
GSX-R 600	->93	A
GSX-R 750	88->92	A
GSX-R 750 SP	93->95	A
RF 900 RR	94->95	A
RF 900 RT - RV	96->99	A
GSX 1100 F	93->	A
GSX-R 1100	89->92	A
GSF 1200 BANDIT	96->00	A
GSF 1200 S BANDIT	97	A

TRIUMPH	Year	A/P
BABY SPEED 600	01->02	A
DAYTONA 600 from VIN 210262	04->05	A
DAYTONA 600 up to VIN 210261	02->03	A

SPEED FOUR 600	03->06	A
TT 600	00->03	A
DAYTONA 650 FROM VIN 210262	04->06	A
DAYTONA 650 UP TO VIN 210261	02->03	A
DAYTONA 750	91->92	A
SPEED TRIPLE 885 (carb)	94->98	A
SPEED TRIPLE 885 EFI T509 up to 141871	97->98	A
DAYTONA 885 900	93->98	A
SPEED TRIPLE 900 T509	97->01	A
SPRINT 885 900	94->97	A
SPRINT EXECUTIVE 885 900	98->	A
SPRINT SPORT 885 900	97->98	A
TROPHY 885 900	96->03	A
DAYTONA 955 T595	97->00	A
DAYTONA i 955	03->06	A
DAYTONA i 955 BIBRACCIO	01->02	A
DAYTONA i 955 CENTENNIAL	02->04	A
SPEED TRIPLE 955 T595 up to 141871	99->01	A
SPEED TRIPLE i 955 955i VIN 141872 to 210444	02->06	A
SPRINT RS 955 FROM VIN 139277	02->05	A
SPRINT RS 955 up to VIN 139276	00->01	A
SPRINT ST 955 up to VIN 139276	99->01	A
SPRINT ST 955 VIN 139277 TO VIN 208166	02->04	A
DAYTONA 998 1000	91->92	A
SPRINT GT 1050	11->15	A
SPRINT GT 1050 ABS	11->18	A
SPRINT ST 1050 VIN 208167 up	05->10	A

DAYTONA 1180 1200	93->98	A
TIGER EXPLORER 1200	12->15	A
TROPHY 1180 1200	96->03	A
THUNDERBIRD 1600	09->18	A
THUNDERBIRD 1600 COMMANDER	14->18	A
THUNDERBIRD 1600 LT	14->18	A
THUNDERBIRD 1600 NIGHTSTORM	14->18	A
THUNDERBIRD 1600 STORM	11->18	A
ROCKET III 2300	04->13	A
ROCKET III 2300 CLASSIC	06->18	A
ROCKET III 2300 ROADSTER	06->18	A
ROCKET III 2300 TOURING	06->18	A
ROCKET X 2300	15	A

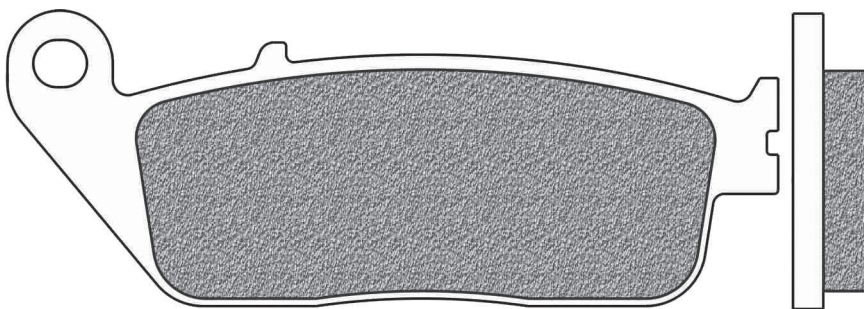
YAMAHA	Year	A/P
TZ 125	97->98	A
TZ 250	02->	A
TZ 250 A - GP	90->01	A
FZR 750 (OW01)	89->91	A
TZR 750 W	89->	A

FIGURATO PASTIGLIE CON APPLICAZIONI | BRAKE PADS DRAWINGS AND APPLICATIONS | DESSINS PLAQUETTES AVEC APPLICATIONS |
DISEÑOS PASTILLAS CON RELACION | ZEICHNUNGEN VON BREMSBELÄGE MIT VERWENDUNGSLISTE



FD0130
BA | BT | TS

D1 (mm): 102x39x9,8 (lhxhsp.)



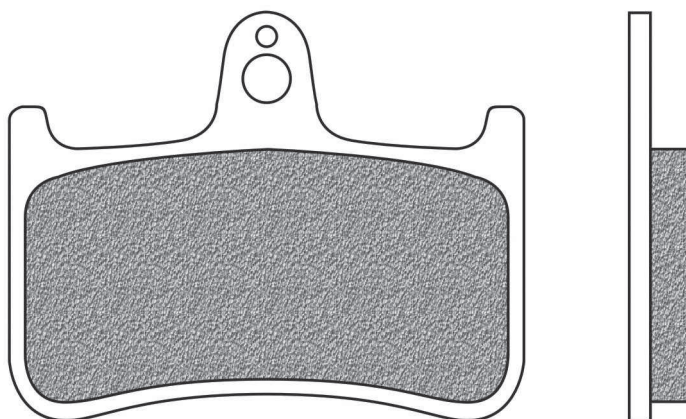
CAGIVA	Year	A/P
900 CAT	93->	P
DAELIM	Year	A/P
DAYSTAR 125	00->	A
ROADWIN 125	04->	A
ROCKET 125	99->	A
S2 125	05->06	A
VL 125 DAYSTAR	00->	A
VT 125 EVOLUTION	00->	A
VT 125 MAGNA	97	A
ROADWIN 150 X5	06->	A
ROADWIN 250	08->	A
S2 250	06->	A
HONDA	Year	A/P
CBR 250 RR	17->18	A
CBR 300 F	14->16	A
CBR 300 F ABS	14->17	A
CBR 300 R	14->18	A
CMX 300 REBEL	17	A
CB 400 SS	02	A
CB 500 F	13->20	A
CB 500 X	13->19	A
CBR 500 R	13->20	A
CMX 500 REBEL	17->20	A
CB 650 F	14->19	A
CB 650 R	19	A
CBR 650 F	14->20	A
CTX 700	14->18	A
CTX 700 D ABS (w/DTC)	13->15	A
CTX 700 N	14->18	A
CTX 700 ND ABS (w/DTC)	14->15	A
CBR 750 SUPER AERO	88	P

NC 750 D INTEGRA (w/DTC)	14->19	A
NC 750 S (w/DTC)	14->18	A
NC 750 X (w/DTC)	14->19	A
NM4 750 VULTUS ABS (w/DTC)	15->18	A
VFR 750 F	90->97	P
VFR 750 F INTERCEPTOR	88->89	A / P
VT 750 BLACK WINDOW	01->04	A
VT 750 C SHADOW	97->09	A
VT 750 C2B	11->18	A
VT 750 C4 SHADOW	04->05	A
VT 750 SHADOW BLACK SPIRIT	10->12	A
VFR 950 F CARAT	92->	P
CB 1000 SUPERFOUR (BIG FOUR)	92	P
CBF 1000	06->11	A
CBF 1000 F	10->14	A
CBF 1000 LIMITED EDITION	09->14	A
CTX 1300	14->18	P
GL 1500 F6c VALKYRIE	97->03	P
INDIAN	Year	A/P
CHIEF 1800	15->18	P
CHIEF CLASSIC 1800	14->18	P
CHIEF DARK HORSE 1800	15->19	P
CHIEF VINTAGE 1800	14->19	P
CHIEFTAIN 1800	14->18	P
CHIEFTAIN CLASSIC 1800	15->18	P
CHIEFTAIN LIMITED 1800	15->18	P
DARK HORSE 1800	16->18	P
ROADMASTER 1800	15->19	P
ROADMASTER CLASSIC 1800	15->18	P
ROADMASTER ELITE 1800	15->18	P
SPRINGFIELD 1800	16->19	P
SPRINGFIELD DARK HORSE 1800	15->20	P

MBK	Year	A/P
KILIBRE 300	05->06	A
TRIUMPH	Year	A/P
ADVENTURER 885	96->01	P
LEGEND TT 885	99->01	P
THUNDERBIRD 885	95->05	P
THUNDERBIRD 885 SPORT	03->04	P
TIGER 885 VIN 71699 to VIN 124105	99->00	P
TIGER 955 VIN 124106 to VIN 198874	99->03	P
VICTORY	Year	A/P
HAMMER 1634	08	P
KINGPIN 1634 all models	08->12	P
VEGAS 1634	08->17	P
VEGAS 8-BALL 1634	08->17	P
VEGAS JACKPOT 1634	08	P
BOARDWALK 1731	13->15	P
CROSS COUNTRY 1731	10->17	P
CROSS COUNTRY 8-BALL 1731	14->16	P
CROSS COUNTRY TOUR 1731	12->17	P
CROSS ROADS 1731	10->12	P
CROSS ROADS 8-BALL 1731	14	P
CROSS ROADS CLASSIC 1731	14	P
GUNNER 1731	15->17	P
HAMMER 1731	09->11	P
HAMMER 8-BALL 1731	10->16	P
HAMMER S 1731	09->17	P
HARD-BALL 1731	12->13	P
HIGH-BALL 1731	12->17	P
JACKPOT 1731	10->16	P
JUDGE 1731	13->17	P
KINGPIN 1731	10->12	P
KINGPIN 8-BALL 1731	10->12	P
MAGNUM 1731	15->17	P
MAGNUM X-1 1731	15->17	P
VEGAS 1731	10->17	P
VEGAS 8-BALL 1731	10->17	P
VEGAS JACKPOT 1731	09	P
VISION 1731 (all models)	08->17	P
YAMAHA	Year	A/P
X-CITY 125 VP	08->13	A
X-CITY 250 VP	07->13	A
VERSITY 300 XC	05->06	A

FD0131
B4R | BT | R01 | TS

D1 (mm): 68x54x8 (lhxhsp.)

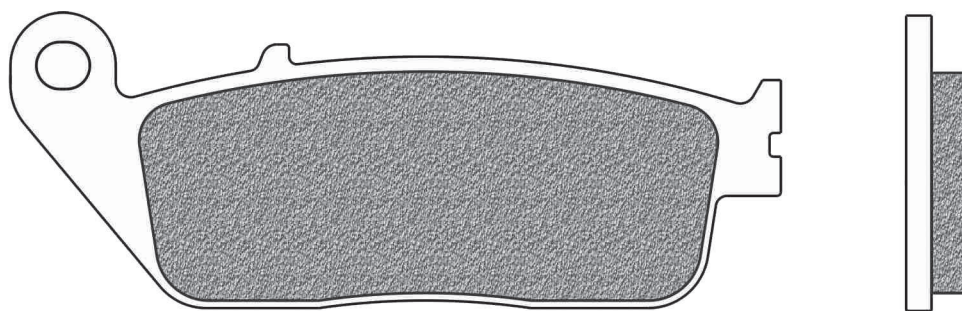


HONDA	Year	A/P
CB 250 FT HORNET	96->01	A
NSR 250 R - SP	88->93	A
RS 250 R	91->92	A
CB 400 FOUR	97->98	A
CB 400 SUPER FOUR	96->97	A
NTV 400 BROS	88->	A
NTV 600 BROSS	88->91	A
NTV 650 BROS	88->92	A
NR 750	92->	A
VFR 750 R (RC-30)	88->93	A
CB 900 HORNET	02->07	A
CBR 900 RR FIREBLADE (918 cc)	95->97	A
CBR 900 RR-FIREBLADE (893 cc)	92->94	A
CB 1000 F	93->97	A
CBR 1000 F BIG ONE	93->97	A
VTR 1000 F FIRESTORM	97->07	A
CB 1300 X4	97->00	A

FD0132

BA | BE | B4R | BT | SE | SP | TS

D1 (mm): 102x39x8,3 (Lxhxsp.)



FIGURATO PASTIGLIE CON APPLICAZIONI | BRAKE PADS DRAWINGS AND APPLICATIONS | DESSINS PLAQUETTES AVEC APPLICATIONS | DISEÑOS PASTILLAS CON RELACION | ZEICHNUNGEN VON BREMSBELÄGE MIT VERWENDUNGSLISTE

BMW	Year	A/P
C 1 EVOLUTION (ELECTRIC)	12->	A / P
C 600 SPORT	12->15	A / P
C 650 GT	12->20	A / P
C 650 SPORT	16->20	A / P
BUELL	Year	A/P
BLAST 500	01->09	A
CAGIVA	Year	A/P
900 CAT	93->	A
GRAN CANYON 900	99->04	A
NAVIGATOR 1000	00->05	A
HONDA	Year	A/P
FORZA 125 NSS	15->19	A
RS 125 R	91->94	A
CB 250 NIGHT HAWK	91->	A
CB 250 TWO FIFTY	92->05	A
CBR 250 R (Nissin caliper)	11->13	A
CBR 250 R - RR	88->94	A
JADE 250	91	A
VT 250 CR MAGNA	94->	A
VT 250 SPADA	88->90	A
VTR 250	98->10	A
VTZ 250 XELVIS	92->	A
CB 400 SUPER FOUR	92->95	A
CB-1 400 F	89->90	A
CBR 400 RR (GULL ARM NC29)	90->94	A
CBR 400 RR (TRI ARM NC23)	87->89	A
NV 400 C STEED	94->97	A
NV 400 D SHADOW SLASHER	00->02	A
VRX 400 T (NC33)	96	A
CB 500	94->96	A
CBF 500	04->07	A
CB 600 F HORNET	98->13	A
CB 600 F HORNET S	00->04	A
CBF 600	04->11	A
CBR 600 F	95->13	A
VT 600 C-CD SHADOW VLX	94->00	A
XL 600 VTRANSALP	94->96	A
FMX 650	05->08	A / P
NT 650 HAWK GT	88->90	A
NTV 650 REVERE	93->97	A
NC 700 S	12->13	A
NC 700 X	12->13	A
VFR 700 F INTERCEPTOR	88->	A / P
CB 750 N SEVEN FIFTY	92->02	A
CBR 750 SUPER AERO	88	A
MAGNA 750	93->	A
VF 750 C	93->99	A
VFR 750 F	90->97	A
VT 750 RS	11->	A
VT 750 S	11->	A
VT 750 SHADOW SPIRIT	07->11	A
PC 800 PACIFIC COAST	89->97	A
VFR 950 F CARAT	92->	A
CB 1000 SUPERFOUR (BIG FOUR)	92	A
CBR 1000 F	89->92	A / P
1100 AMERICAN CLASSIC EDITION	95->	A
ST 1100 PAN EUROPEAN	89->02	A / P
ST 1100 PAN EUROPEAN ABS	92->95	A / P
VT 1100 C SHADOW	94->98	A

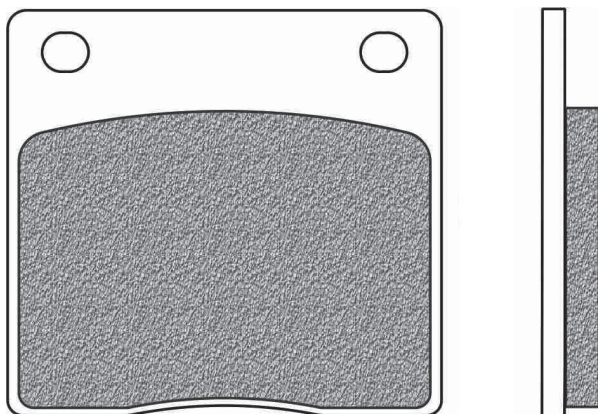
VT 1100 C2	95->05	A
VT 1100 C3	98->00	A
VT 1300 FURY	10->18	A
VTX 1300 C	04->09	A
VTX 1300 S	03->08	A
GL 1500 F6C VALKYRIE	97->03	A
HYOSUNG	Year	A/P
V2 125	99->	A
AQUILA 250	00->	A
KAWASAKI	Year	A/P
J 125	16->19	A
J 300	14->18	A
KLE 300 VERSYS-X	17->19	A
KLE 650 VERSYS	15->19	A
NINJA 650 ABS	17->20	A
Z 650 ABS	17->20	A
Z 750	07->12	A
Z 800	13->16	A
Z 800 E	13->16	A
Z 800 E SPECIAL EDITION	16	A
KYMCO	Year	A/P
NEW G-DINK 50	12->13	A
G-DINK 125	12->	A
NEW G-DINK 125	12->14	A
SUPER DINK 125	10->15	A
VENOX 250	01->	A
XCITING 250	04	A / P
G-DINK 300	12->	A
PEOPLE GTI 300	10->13	A
XCITING 500	04	A / P
PEUGEOT	Year	A/P
SATELIS 125 ABS	04->	A
GEOPOLIS 300 GT	14->	A
GEOPOLIS 400 GT	14->	A
GEOPOLIS 400 RS	08->	A
SATELIS 400 I	14->	A
SATELIS 500	07->	A
SATELIS 600 ABS	04->	A
SUZUKI	Year	A/P
DL 250 V STROM	17->19	A
GSX 250 R	17->20	A
GW 250 INAZUMA	12->19	A
GW 250 INAZUMA F	15->19	A
GSX 400 IMPULSE TYPE S	94->96	A
RF 400 RVC	93->97	A
GSF 600 BANDIT	95->99	A
GSX-R 600	94->95	A
RF 600 RR	93->96	A
BURGMAN 650 AN	02->20	A
C 1500 T INTRUDER	13->18	A
SWM	Year	A/P
GRAN MILANO 440	15->17	A
GRAN TURISMO 440	15->17	A
SILVER VASE 440 SV	15->17	A
TRIUMPH	Year	A/P
STREET TRIPLE 660 S A2	17->20	A
STREET TRIPLE 675	08->17	A
STREET TRIPLE S 765	17->20	A
BONNEVILLE 790 (carb) T100 up to Eng No 211132	02->04	A
BONNEVILLE 790 (carb) Up to Eng No 282963-F2 / 273654-F4	01->06	A

BONNEVILLE 790 AMERICA (carb)	02->04	A
SPEEDMASTER 790 (carb)	03->04	A
TIGER 800	11->14	A
TIGER 800 ABS	11->14	A
TIGER XC 800	11->17	A
TIGER XC 800 ABS	11->14	A
TIGER XCA 800	15->17	A
TIGER XCR 800	15->17	A
TIGER XR 800	15->18	A
TIGER XR X 800	15	A
TIGER XRT 800	15->17	A
TIGER XRX 800	15->17	A
AMERICA 865 (carb)	05->11	A
AMERICA 865 EFI	12->18	A
BONNEVILLE 865 (carb) T100 Eng No 211133 up	05->11	A
BONNEVILLE 865 EFI (ALLOY WHEELS) VIN 380777 up	09->15	A
BONNEVILLE 865 EFI T100	12->17	A
BONNEVILLE 865 Eng No 282964-F2 / 273655-F4 up	07->08	A
BONNEVILLE SE 865 EFI (ALLOY WHEELS) VIN 380777 up	09->12	A
SCRAMBLER 865 (carb)	06->08	A
SCRAMBLER 865 EFI	12->18	A
SPEEDMASTER 865 (carb)	05->10	A
SPEEDMASTER 865 EFI	11->17	A
THRUXTON 865 (carb)	04->07	A
THRUXTON 865 EFI	12->16	A
ADVENTURER 885	96->01	A
LEGEND TT 885	99->01	A
THUNDERBIRD 885	95->05	A
THUNDERBIRD 885 SPORT	03->04	A
TIGER 885 VIN 71699 to VIN 124105	99->00	A
BONNEVILLE 900 SPIRIT	15	A
BONNEVILLE 900 STREET CUP	17->18	A
BONNEVILLE 900 T100	16->20	A
BONNEVILLE 900 T100 BLACK	16->20	A
BONNEVILLE 900 T214	15	A
STREET CUP 900	17->20	A
STREET SCRAMBLER 900	17->18	A
STREET TWIN 900	16->18	A
T100 BUD EKINS 900	20	A
THRUXTON 900	04->05	A
THRUXTON 900 ACE	15	A
TIGER 955 VIN 124106 to VIN 198874	99->03	A
TIGER 955 VIN 198875 to VIN 287503	04->06	A
BONNEVILLE 1200 BOBBER	17->20	A
BONNEVILLE 1200 T120	16->20	A
BONNEVILLE 1200 T120 ACE	19->20	A
BONNEVILLE 1200 T120 BLACK	16->20	A
BONNEVILLE 1200 T120 DIAMOND	19->20	A
T120 BUD EKINS 1200	20	A
THRUXTON 1200	16->19	A
VOXAN	Year	A/P
SCRAMBLER 1000	01->03	A
YAMAHA	Year	A/P
WR 125 R	09->12	A
WR 125 X SUPERMOTO	09->14	A



FD0133
BT

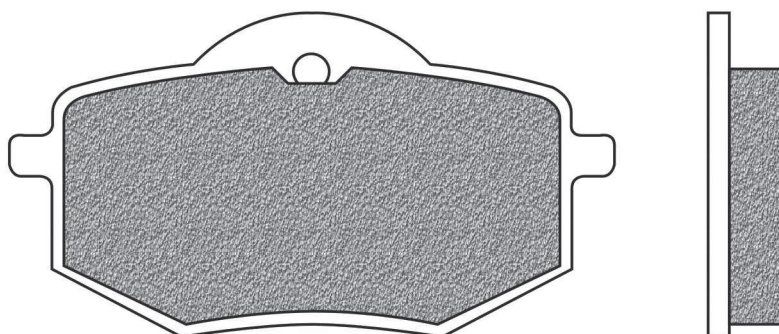
D1 (mm): 57,5x53x7,5 (lhxsp.)



SUZUKI	Year	A/P
GSX 1100 F	88->92	A

FD0135
BT

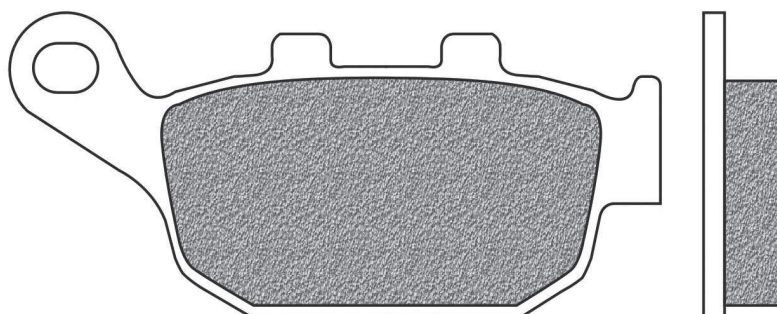
D1 (mm): 80x43x9,8 (lhxsp.)



YAMAHA	Year	A/P
XV 400 VIRAGO	88->	A
XV 535 VIRAGO	87->94	A

FD0136
BE | BT | TS

D1 (mm): 86,5x40,5x10,6 (lhxsp.)



HONDA	Year	A/P
PANTHEON 125 FES	03->07	P
PANTHEON 150 FES	03->07	P
CB 250 FT HORNET	96->01	P
CBR 250 R - RR	88->94	P
CBR 250 R HURRICANE	87	P
FORESIGHT 250 FES	99->07	P
JADE 250	91	P
NSR 250 R - SP	88->93	P
RS 250 R	91->92	P
VT 250 SPADA	88->90	P
VTR 250	09->10	P
CB 400 FOUR	97->98	P
CB 400 SUPER FOUR	92->97	P
CB 400 SUPER FOUR F3V	97	P
CB-1 400 F	89->90	P
CBR 400 RR (GULLARM NC29)	90->94	P
CBR 400 RR (TRI ARM NC23)	87->89	P
NTV 400 BROSS	88->	P
TRANSALP 400	92->	P
VFR 400 R	87->88	P
NX 500 DOMINATOR	88->96	P
NTV 600 BROSS	88->91	P
NTV 600 REVERE	88->91	P
XL 600 V TRANSALP	91->96	P
XL 600 V TRANSALP	97->99	P

BUELL	Year	A/P
BLAST 500	01->09	P
XB9R 984 FIREBOLT	02->10	P
XB9S 984 LIGHTNING	03->10	P
XB9SX 984 CITYX	05->10	P
M2 1200 CYCLONE	98->02	P
RS 1200 X 1	01->	P
S1 1200 LIGHTNING	98->02	P
S1 1200 WHITELIGHTNING	98->02	P
S3 1200 THUNDERBOLT	98->02	P
X1 1200 LIGHTNING	01->02	P

XB12R 1200 FIREBOLT	04->10	P
XB12S 1200 LIGHTNING	04->08	P
XB12SCG 1200 LIGHTNING	06->10	P
XB12SS 1200 LIGHTNING LONG	06->10	P
XB12TT 1200 SUPER TT	07->10	P
XB12X 1200 SUPER TT	06->10	P

CF MOTO	Year	A/P
NK 150	15->19	P
NK 250 ABS	19	P
NK 300 ABS	19->20	P

... FD0136

... segue HONDA	Year	A/P
NT 650 HAWK GT	88->90	P
NTV 650 BROS	88->92	P
NTV 650 DEAUVILLE	98->01	P
NTV 650 REVERE	93->97	P
NX 650 DOMINATOR	88->96	P
XL 650 VTRANSALP	00->07	P
XRV 650 AFRICA TWIN	88->90	P
NC 700 S	12->13	P
NC 700 X	12->13	P
XL 700 VTRANSALP	08->11	P
XRV 750 R AFRICA TWIN	90->03	P
PEUGEOT	Year	A/P
SV 250	01->	P
TRIUMPH	Year	A/P
BABY SPEED 600	01->02	P
DAYTONA 600 from VIN 210262	04->05	P

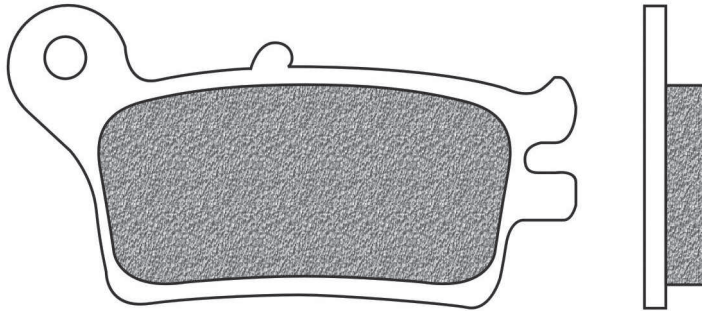
DAYTONA 600 up to VIN 210261	02->03	P
SPEED FOUR 600	03->06	P
TT 600	00->03	P
DAYTONA 650 FROM VIN 210262	04->06	P
DAYTONA 650 UP TO VIN 210261	02->03	P
DAYTONA 675 up to VIN 381274	06->08	P
DAYTONA TRIPLE 675	09->12	P
DAYTONA TRIPLE R 675	11->12	P
STREET TRIPLE 675	08->12	P
STREET TRIPLE R 675	09->12	P
TIGER 800	11->14	P
TIGER 800 ABS	11->14	P
TIGER XC 800	11->17	P
TIGER XC 800 ABS	11->14	P
TIGER XCA 800	15->17	P
TIGER XCR 800	15->17	P
TIGER XCX 800	18->20	P

TIGER XR 800	15->18	P
TIGER XR X 800	15	P
TIGER XRT 800	15->17	P
TIGER XR X 800	15->17	P
TIGER XR X 800 LOW	18->20	P
DAYTONA i 955 BIBRACCIO	01->02	P
BONNEVILLE 1200 BOBBER	17->20	P
BONNEVILLE 1200 BOBBER BLACK	18->19	P
SPEEDMASTER 1200	18->20	P
YAMAHA	Year	A/P
FZ6R 600	09->14	P
XJ6 600 DIVERSION	09->15	P
XJ6 F 600 DIVERSION	09->12	P
XJ6 N 600 DIVERSION	09->12	P
XJ6 S 600 DIVERSION	09->12	P

FD0137

BT

D1 (mm): 75x40x8 (lxhxsp.)



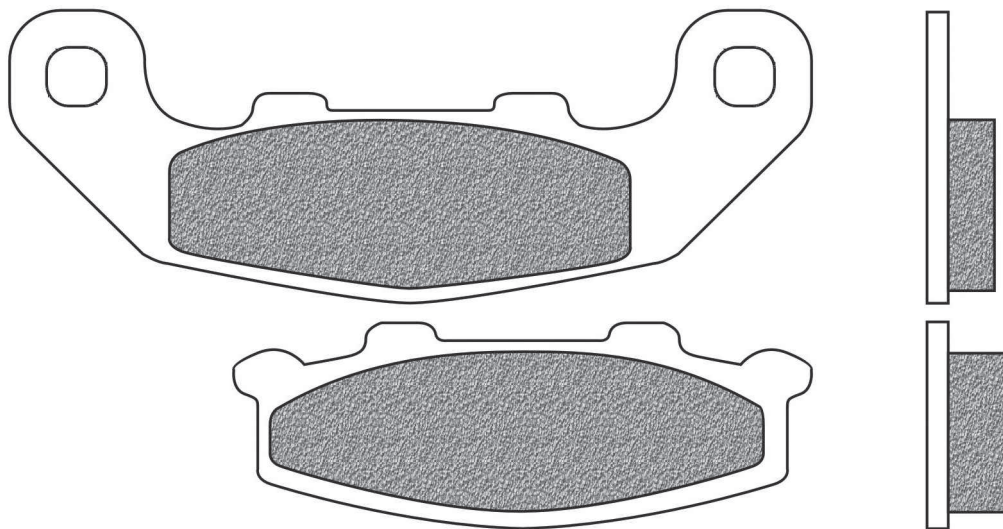
HONDA	Year	A/P
AX 1 250	89->94	P
NX 250	88->90	P
XLR 250 R BAJA	88->90	P

FD0138

BT

D1 (mm): 106x39x9 (lxhxsp.)

D2 (mm): 76,5x27,5x10,7 (lxhxsp.)



KAWASAKI	Year	A/P
KR 150 SPORT	98->	A
EX 250 R NINJA	98->07	P
GPX 250 R	88->95	P
GPX 250 R II (EX G)	88	A / P
GPX 250 R NINJA	87	P
KR-1 250	88	P
KR-1 250 (KR 250 B2)	89	A / P
KR-1 250 (KR 250 C2/C3)	90->92	P
ZXR 250	89->90	P

ZXR 250	89->95	A
ZXR 250 R	89->91	A / P
GPX 400 R	87	A
GPX 400 R	88	P
GPZ 400 R (ZX 400)	88	A
ZR 400 XANTUS	92->95	A
ZR 400 ZEPHYR (ZR-C)	89->92	P
ZX-4 400	88->89	A / P
EX 500	94->96	A
ZR 550 ZEPHYR	90->92	P

ZR 550 ZEPHYR (D from VIN B024010)	93->01	A
KR 1250	89->	A / P
SUZUKI	Year	A/P
RGV 250	93->95	P
RGV 250 GAMMA	91->92	P
RGV 500 GAMMA	90->	P
GSX 1100	94->95	P

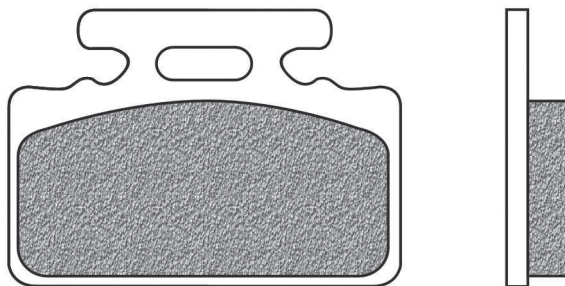
FIGURATO PASTIGLIE CON APPLICAZIONI | BRAKE PADS DRAWINGS AND APPLICATIONS | DESSINS PLAQUETTES AVEC APPLICATIONS
 DISEÑOS PASTILLAS CON RELACION | ZEICHNUNGEN VON BREMSBELÄGE MIT VERWENDUNGSLISTE



FD0139

BA | BE | BT

D1 (mm): 52x36,5x8,2 (lhxsp.)



HONDA	Year	A/P
NH 80 LEAD	86->88	A
RS 125 R	88->90	P
RS 125 R	91->94	P

KYMCO	Year	A/P
MANBOY 50	95->00	A

ZAP 50	95->00	A
YUP 90	95->99	A

SYM	Year	A/P
BULLET 50	93->	A
CINDERELLA 50	01->02	A
DD 50	02->	A

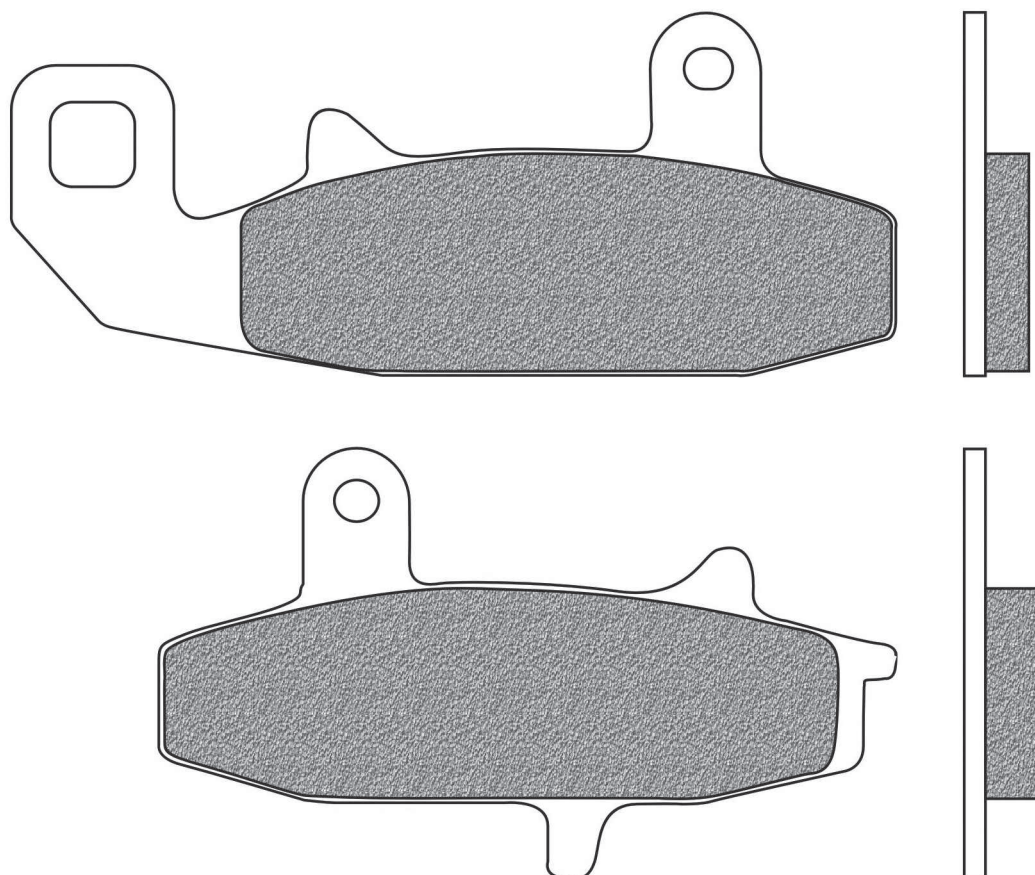
FEEL BIG 50	98->	A
MIO 50	05->07	A
PURE 50	98->	A
CINDERELLA 100	01->	A
MIO 100	05->	A

FD0140

BT

D1 (mm): 117x48x8,6 (lhxsp.)

D2 (mm): 97,5x57x10,7 (lhxsp.)



HONDA	Year	A/P
VTZ 250 XELVIS	92->	P

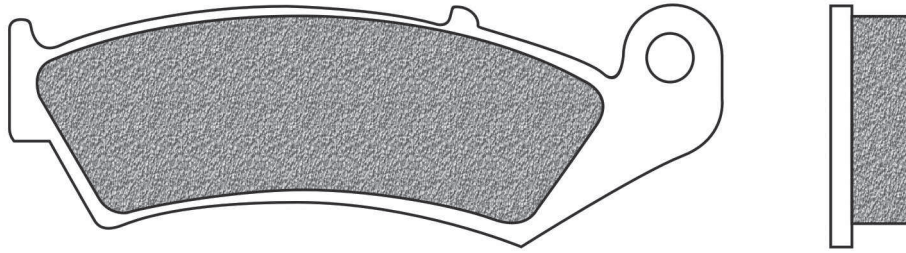
SUZUKI	Year	A/P
DR 650 R	90->95	A
DR 650 RS-RSE-DJEBEL-DAKAR	91->95	A
VS 650	91->	A

DR 750 S BIG	87->88	A
DR 800 BIG S - SU	90	A
DR 800 Z	88->89	A

FD0141

BT

D1 (mm): 94,5x32x10,5 (lxhxsp.)



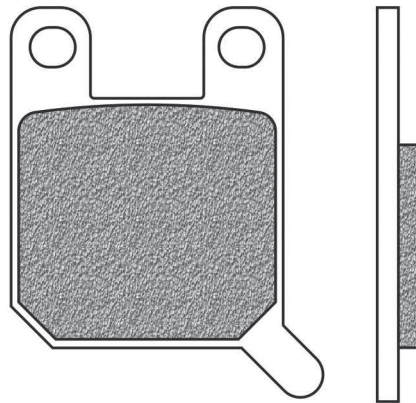
HONDA	Year	A/P
NSR 250 R SE-SP	94->	P
RVF 400	94->96	P
VFR 400 R (NC 30)	89->92	P

NR 750	92->	P
RVF 750 RR (RC 45)	94->98	P
VFR 750 R (RC-30)	88->93	P

FD0142

BA | BD

D1 (mm): 36x52x6 (lxhxsp.)



ALFER	Year	A/P
MC 80	88->	P
TX 300	90	A

APRILIA	Year	A/P
CLIMBER 280	93->	A / P

BETA	Year	A/P
MX 50 ENDURO	92->	A / P
SYNT 260	92->	A
ZERO 260 GARA - TECHNO - SYNT	93->	A
ZERO 260 SYNT	89->92	A
TECHNO 352	96->	A

BULTACO	Year	A/P
LOBITO 75	99->	P

DERBI	Year	A/P
all models 50 con freno a disco	83->	A
AVENTURA 50	96->	A
COPPA 50 FDT	86->	A
COPPA 50 FDX	87->	A
DS 50 WORLD CHAMPION	88->	A
FD 50 JUMBO	85->	A
FURAX 50	96	A
GP1 50	01->04	A / P
PREDATOR 50	98->	A / P

PREDATOR 50 0.2	99->	A
RECORD 50	98->	A
SABANA 50	90	A / P
VAMOS 50	94	A
VAMOS 50 R	96->	A
VARIANT 50 SPORT R	94->	A
COPPA 75 SPORT	85->	A
YUMBO 75 RD-2 FDS	87	A

FANTIC	Year	A/P
K-ROO 250	93->	A / P

FB MINARELLI	Year	A/P
MR 80		A

GAS GAS	Year	A/P
DELTA 125	91	A
JT 12 125	95->	A / P
PAMPERA 125	96->03	A / P
TRIAL 125	91->	A / P
TT 125	95->	P
JTR 140 CONTACT	96->	A / P
JT 16 150	95->	A / P
JT 160	95	A / P
PAMPERA 200	92->01	A / P
JT 250 CONTACT	94->	A / P
JT 25 250	91->	A / P

JTR 250 CONTACT	96->	A / P
T 25 250 CONTACT	93	A / P
JTR 270 CONTACT	96->	A / P
PAMPERA 280	00->01	A / P
TXT 280	92->99	A / P
JT 32 320	91->	A / P
TXT 320	92->99	A / P
TRIAL 327	89->	A / P
JT 350	95->	A / P
JTR 370 CONTACT	96->	A / P

PUCH	Year	A/P
CONDOR 50		A
MONZA 50	85->	A
COBRA 75	85->	A
COBRA 80	84->	A

RIEJU	Year	A/P
MR 80	95->	A

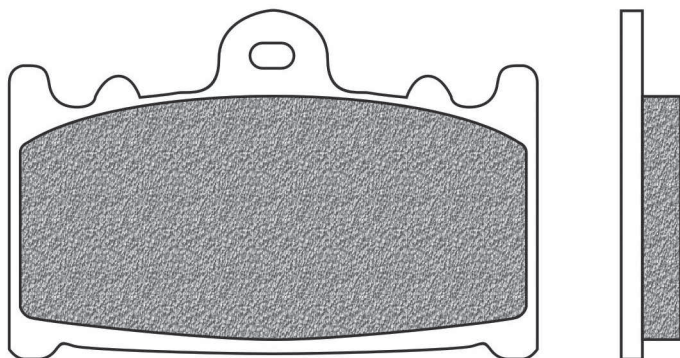
YAMAHA	Year	A/P
TY 250 Z	93->95	A / P

FIGURATO PASTIGLIE CON APPLICAZIONI | BRAKE PADS DRAWINGS AND APPLICATIONS | DESSINS PLAQUETTES AVEC APPLICATIONS |
 DISEÑOS PASTILLAS CON RELACION | ZEICHNUNGEN VON BREMSBELÄGE MIT VERWENDUNGSLISTE



FD0143
B4R | BT | R01 | SP | TS

D1 (mm): 70x46x8 (lxhxsp.)



GSX-R 250 R	89	A
RGV 250	93->95	A
RGV 250 GAMMA	91->92	A
RGV 250 K	89->90	A
TV 250 WOLF	88->90	A
SG 350 GOOSE	92	A
GSF 400 BANDIT	95->97	A
GSF 400 S KATANA	89->94	A
GSR 400	06	A
GSX 400 KATANA	92->	A
GSX-R 400	88->90	A
RGV 500 GAMMA	90->	A
GSR 600	06->10	A
GSX-R 600	96->03	A
GSF 650 BANDIT ABS	07->12	A
GSF 650 S BANDIT ABS	07->13	A
GSX 650 F	08->16	A
GSX 750 F	08->09	A
GSX-R 750	00->03	A
SV 1000 FAIRED	03->07	A
SV 1000 NAKED	03->07	A
TL 1000 S	97->02	A
GSF 1200 BANDIT	06->09	A
GSF 1200 BANDIT STREETFIGHTER	07->12	A
GSF 1200 S BANDIT	06	A
GSF 1250 BANDIT	07->12	A
GSF 1250 S BANDIT	07->15	A
GSX 1250 FA	10->12	A
GSX 1250 SPORT TOURING	10->14	A
VS 1400 GLPT/GLPV	96->	A

BERINGER		
Year	A/P	
CNC 4 piston	A	

HUSABERG		
Year	A/P	
FS 400 E - C	01->03	A
FS 450 E - C	03->05	A
FS 650 E - C	01->05	A

KAWASAKI		
Year	A/P	
KR-1 250 (KR 250 C2/C3)	90->92	A
ZR 400 ZEPHYR	97->01	A
ZX-4 400	90	A
ZXR 400	89->90	A
ZXR 400 R	91->94	A
ZZR 400	90->99	A
GPZ 500 S	93	A
ZZR 500	90->	A
ZX-6R 600 (ZX 6)	90->93	A
ZX-6R 600 NINJA	94->97	A
ZZR 600	90->06	A
ZZR 600 (ZX E6F)	06->07	A
ZX-7R 750 NINJA	89->95	A
ZXR 750	89->90	A

ZXR 750 L	93->95	A
ZXR 750 R	91->95	A
GPZ 900 R	90->96	A
GPZ 900 R (ZX)	98	A
ZX-9 900 R NINJA	94->95	A
KLZ 1000 VERSYS	12->18	A
KLZ 1000 VERSYS ABS	15->18	A
KLZ 1000 VERSYS LT	15->16	A
ZR 1100 ZEPHYR (ZR 1100 A)	92->95	A
ZZR 1100 GT (ZX 1100)	90->01	A
ZZR 1200	02->04	A
VN 1700 VOYAGER	09->11	A
VN 2000	04->07	A
VN 2000 CLASSIC	08->09	A

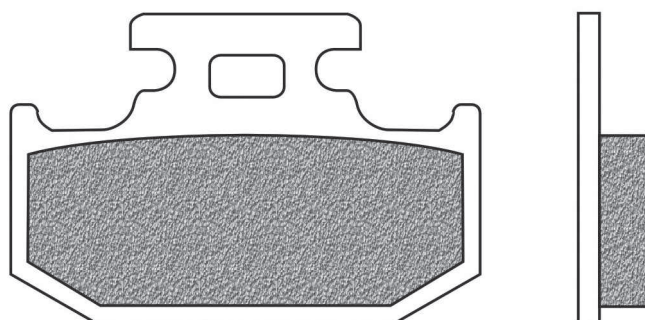
MOTO MASTER		
Year	A/P	
Supermoto Racing	A	

SUZUKI		
Year	A/P	
RG 125 T - FV	92->94	A
RG 200 GAMMA	93->	A
COBRA 250	89->90	A
GOOSE 250	92->	A

VERTEMATI		
Year	A/P	
SR 450 MOTARD	03->	A
SR 450 MOTARD RACING	03->	A
S 501 MOTARD	02->	A
SR 600 MOTARD RACING	03->	A

FD0144
BD | SD

D1 (mm): 62x41x9 (lxhxsp.)



DR Z 250	01->07	P
RM 250	89->90	P
RMX 250	89->93	P
DR 350	90->99	P
DR 650 SE	96->19	P

CANNONDALE		
Year	A/P	
MX 400	00->	P
C 440 R	03->	P
E 440 R/A	03->	P
S 440	03->	P
X 440	03->	P

KAWASAKI		
Year	A/P	
KDX 125	90->94	P
KX 125	89->93	P
KDX 200	89->99	P
KDX 200 SR (E1-E4)	89->92	P
KDX 220	95->99	P
KDX 250	91->93	P

KLX 250	93->07	P
KX 250	89->93	P
KR 500 ES	93->	P
KX 500	89->93	P
KLX 600 R	93->97	P
KLX 650 R	93->95	P

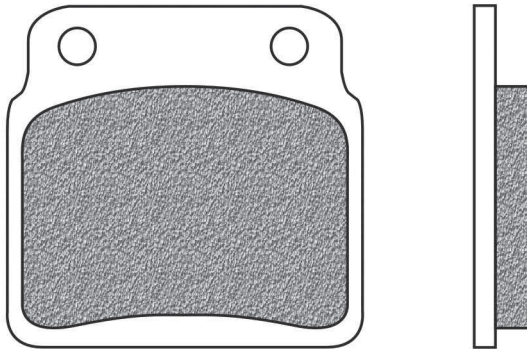
SUZUKI		
Year	A/P	
RM 125	89->90	P
TS 125	89	P
TS 200 R	90->	P
DR 250 R	95->00	P
DR 250 R DJEBEL	96->98	P
DR 250 S	90->95	P

YAMAHA		
Year	A/P	
FZR 50	92->	P
DT 125 RE	05->07	P
DT 125 X SUPERMOTARD	05->06	P
MT 125	20	P
WR 125	91->97	P
YZ 125	90->97	P
YZF-R 125	19->20	P
DT 200 WR	92->93	P
WR 200	92->94	P
XT 225 SEROW	93	P
FZ25 250	19	P
TT R 250	93->99	P
TY 250 Z SCOTTISH	96->	P
WR 250 Z	91->98	P
XG 250 TRICKER	04->06	P
XT 250 LANDER (BRASIL)	07->09	P
XT 250 X	06->08	P
YZ 250	90->92	P
WR 500	92->93	P
TT 600 K	93->96	P
TTE 600	93->01	P

FD0145

BT | BV | SV

D1 (mm): 47x45,5x7,5 (lhxhvsp.)



ARCTIC CAT	Year	A/P
DVX 400	04->	P

HYOSUNG	Year	A/P
TE 400 (ATV)	05->06	P
TE 450 RAPIER	07->08	P

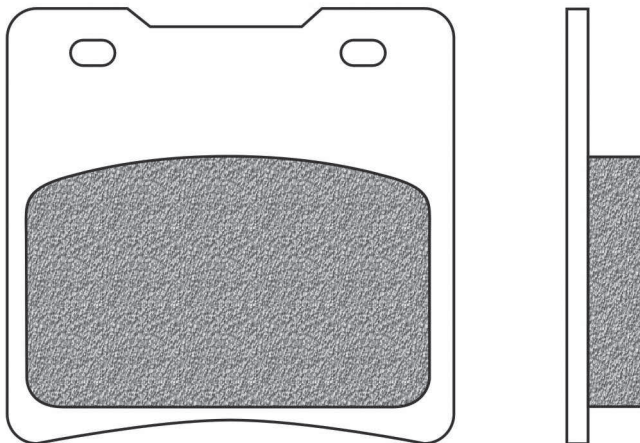
KAWASAKI	Year	A/P
KFX 400	02->	P
KSF 400 (KFX 400)	03->06	P

SUZUKI	Year	A/P
LT 250 R	87->90	P
LT-R 250	08->	P
LT-Z 400	03->04	P
LT-Z 400 QUAD SPORT	05->19	P
LT-R 450	06->12	P
LT 500 R	90->91	P

FD0146

BT

D1 (mm): 59x57,5x10 (lhxhvsp.)

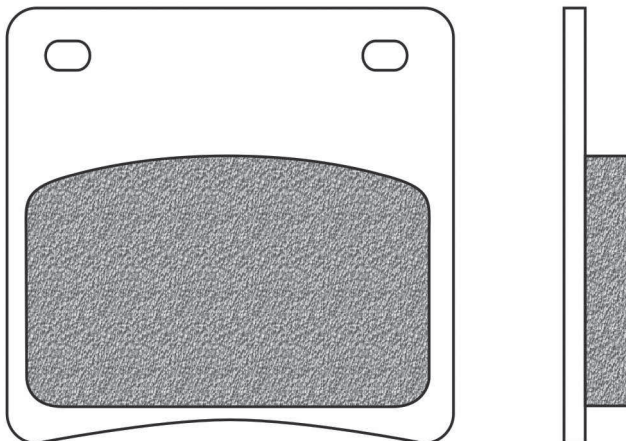


SUZUKI	Year	A/P
GV 1400 CAVALCADE	86->88	P

FD0147

BT

D1 (mm): 59x57,5x9 (lhxhvsp.)



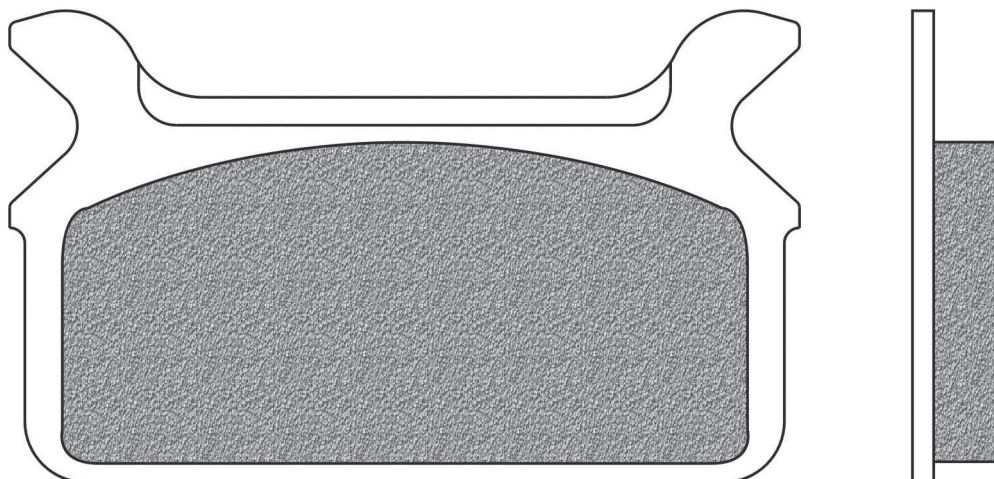
SUZUKI	Year	A/P
GSX 400 (GK74A)	88->90	A
GSX 600 F KATANA	88->97	A
GSX 750 F	89->97	A
VX 800	93->96	P
GSX 1100 F	88->92	P
GV 1400 CAVALCADE	86->88	A

FIGURATO PASTIGLIE CON APPLICAZIONI | BRAKE PADS DRAWINGS AND APPLICATIONS | DESSINS PLAQUETTES AVEC APPLICATIONS |
 DISEÑOS PASTILLAS CON RELACION | ZEICHNUNGEN VON BREMSBELÄGE MIT VERWENDUNGSLISTE



FD0149
BH | SH

D1 (mm): 104x62x12 (lxhxsp.)

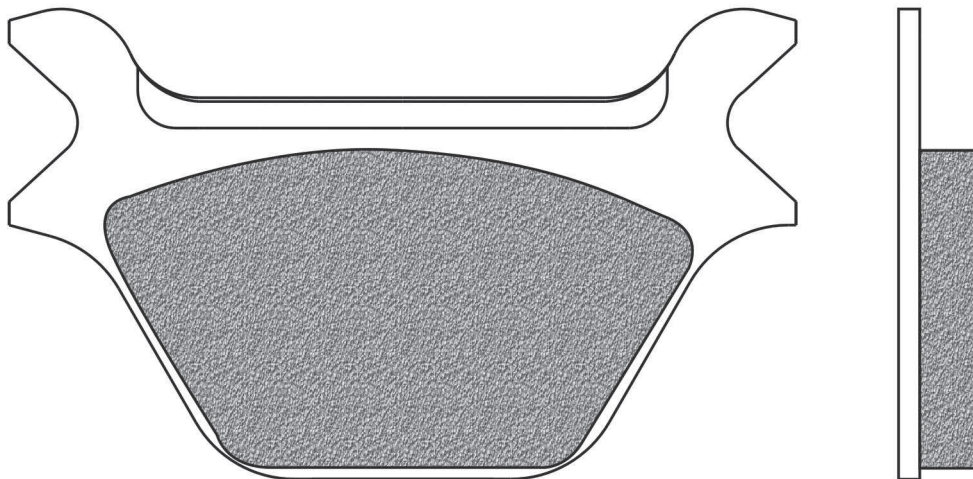

HARLEY DAVIDSON

	Year	A/P
FLH 1340 MODELS	86->99	P
FLHR 1340 ELECTRA GLIDE ROAD KING	94->98	P
FLHS 1340 ELECTRA GLIDE SPORT	90->99	P
FLHT 1340 ELECTRA GLIDE	95->98	P

FXSTB 1340 BAD BOY	95->97	P
FLHR 1450 ROAD KING	99	P
FLHRC 1450 ROAD KING CLASSIC	99	P
FLHT 1450 ELECTRA GLIDE	99	P
FLHTCU 1450 ELECTRA GLIDE ULTRA CLASSIC	99	P

FD0150
SH

D1 (mm): 104x62x11 (lxhxsp.)


HARLEY DAVIDSON

	Year	A/P
XL 883 CUSTOM 53	99->03	P
XLH 883 SPORTSTER	87->99	P
XLH 1100 SPORSTER (LATE MODEL)	87->99	A
XL 1200 C	97->99	P
XL 1200 S	97->99	P
XLH 1200 SPORTSTER	88->99	P
FLSTN 1340 HTGE. SOFTAIL NOST./SPC'L	93->99	P
FXD 1340 DYNA SUPER GLIDE	95->98	P

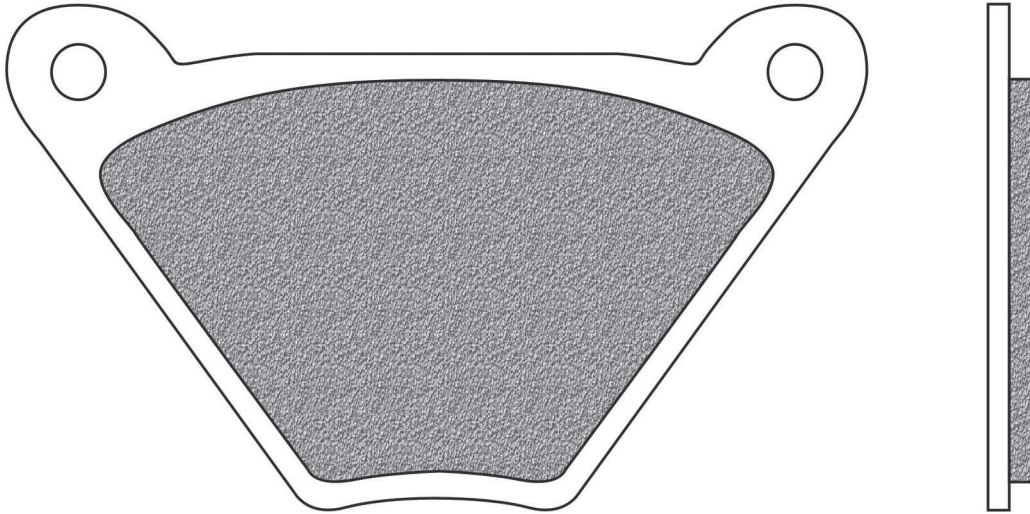
FXDB 1340 STURGIS/DAYTONA	91->92	P
FXDL 1340 DYNA LOW RIDER	93->99	P
FXDS 1340 DYNA LOW RIDER CONV.	94->99	P
FXDWG 1340 DYNA WIDE GLIDE	93->98	P
FXLR 1340 LOW RIDER/CUSTOM	87->99	P
FXR 1340 SUPER GLIDE	87->94	P
FXRS 1340 LOW RIDER SPORT CONV.	87->94	P
FXRT 1340 SPORT GLIDE	87->94	P
FXST 1340 ICE BOB	99	P

FXST 1340 SOFTAIL STANDARD	99	P
FXSTB 1340 NIGHTTRAIN	99	P
FXSTC 1340 SOFTAIL CUSTOM	87->99	P
FXSTS 1340 SPRINGER SOFTAIL	88->99	P
FXD 1450 DYNA SUPER GLIDE	99	P
FXDWG 1450 DYNA WIDE CLASSIC	99	P
FXDX 1450 DYNA SUPER GLIDE CLASSIC	99	P

FD0151

SH

D1 (mm): 114x67x7 (lxhxsp.)



HARLEY DAVIDSON	Year	A/P
XLCH 1000 SPORSTER	73	A
FLH 1200	73->78	A / P
FLHS 1200	77->80	A / P
FX 1200	73	A
FX 1200	73->79	P

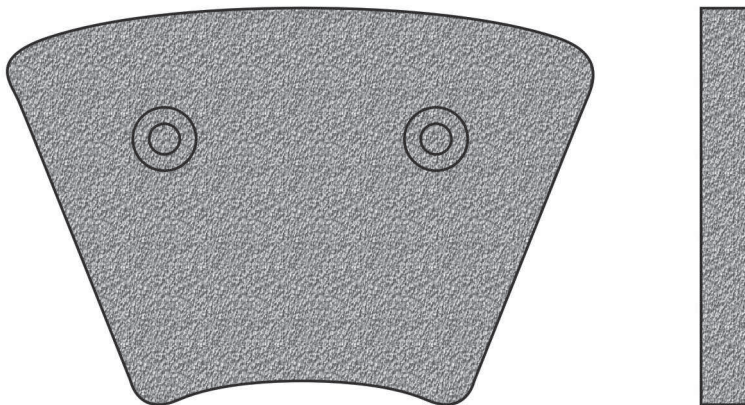
FXE 1200	74->80	P
FXS 1200	78->80	P
FLH 1340 80	78->80	A / P
FLH 1340 80/HERITAGE	81	A
FXB 1340 80/STURGIS	80->82	P
FXE 1340 80	78->81	P

FXEF 1340 FAT BOB	79->83	P
FXR 1340	78->81	P
FXS 1340 LOW RIDER	79->81	P
FXWG 1340 80/WIDE GLIDE	80->81	P

FD0152

BH

D1 (mm): 78x52,5x6,3 (lxhxsp.)



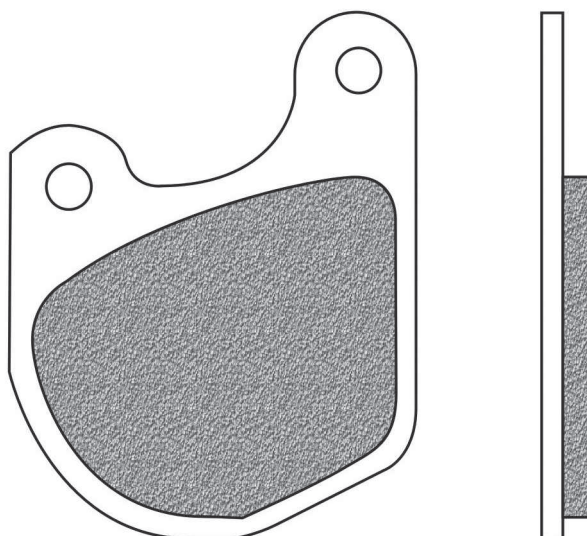
HARLEY DAVIDSON	Year	A/P
FXE 1200	74->77	A
XL 1200 series	74->77	A
FXB 1340 series	74->77	A

FIGURATO PASTIGLIE CON APPLICAZIONI | BRAKE PADS DRAWINGS AND APPLICATIONS | DESSINS PLAQUETTES AVEC APPLICATIONS |
DISEÑOS PASTILLAS CON RELACION | ZEICHNUNGEN VON BREMSBELÄGE MIT VERWENDUNGSLISTE

FD0153

BH | SH

D1 (mm): 54x69,5x6,5 (lxxhxp.)

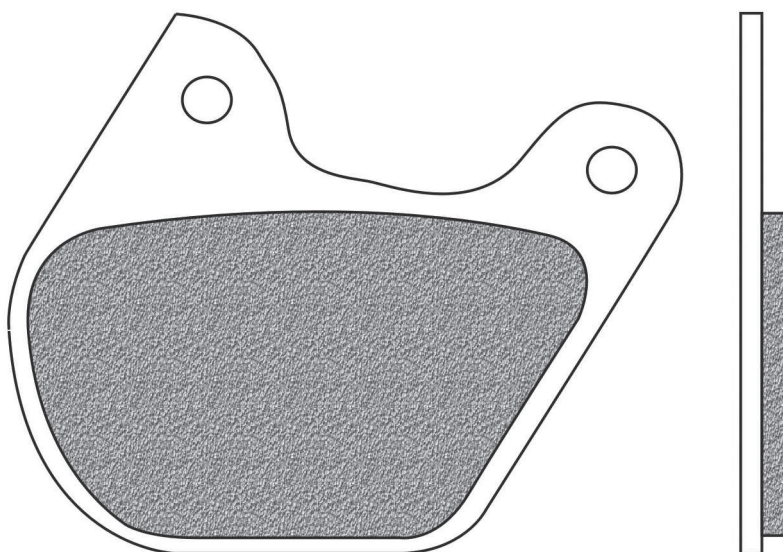


HARLEY DAVIDSON			Year	A/P				
XL 1000 SPORTSTER	78	A	FXS 1200	78->80	A	FXSB 1340 LOW RIDER	83	A
XLCH 1000 SPORTSTER	78->83	A	FXB 1340 80/STURGIS	80->82	A	FXWG 1340 80/WIDE GLIDE	80->81	A
XLH 1000 SPORTSTER	79->83	A	FXE 1340	82->83	A	FXWG 1340 WIDE GLIDE	80->83	A
XLS 1000 ANNIVERSARY	82	A	FXE 1340 80	78->81	A			
XLS 1000 ROADSTER	79->81	A	FXEF 1340 FAT BOB	79->83	A			
XLS 1000 SPORTSTER	82->83	A	FXR 1340	78->81	A			
XLX 1000 61	83	A	FXR 1340 SUPER GLIDE	82->83	A			
FX 1200	78->79	A	FXRS 1340 LOW GLIDE	82->84	A			
FXE 1200	78->80	A	FXRT 1340 SUPER GLIDE II	83	A			
			FXS 1340 LOW RIDER	79->81	A			

FD0154

BH | SH

D1 (mm): 89x71,5x6,5 (lxxhxp.)

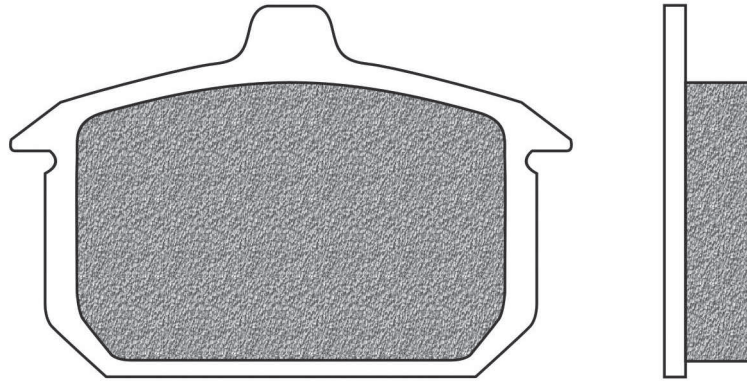


HARLEY DAVIDSON			Year	A/P			
XL 1000 SPORTSTER	78	P	XLH 1000 SPORTSTER	79->81	P		
XLCH 1000 SPORSTER	73	P	XLS 1000 ROADSTER	79->81	P		
XLCH 1000 SPORTSTER	78->83	P	FLH 1340 CLASSIC	82	A		

FD0155

BH | SH

D1 (mm): 74,5x49x12 (lxhxsp.)



HARLEY DAVIDSON	Year	A/P
XLH 883 SPORTSTER	84->86	P
XLH 1000 SPORTSTER	82->87	P
XLS 1000 ANNIVERSARY	82	P
XLS 1000 SPORTSTER	82->83	P
XLX 1000 61	83	P
XLH 1100 SPORSTER	86->87	P

FXE 1340	82->86	P
FXEF 1340	84->85	P
FXR 1340 SUPER GLIDE	82->86	P
FXRD 1340 SPORT GLIDE GTE	85->86	P
FXRS 1340 LOW GLIDE	82->84	P
FXRS 1340 LOW RIDER	85->86	P
FXRT 1340 SPORT GLIDE	85->86	P

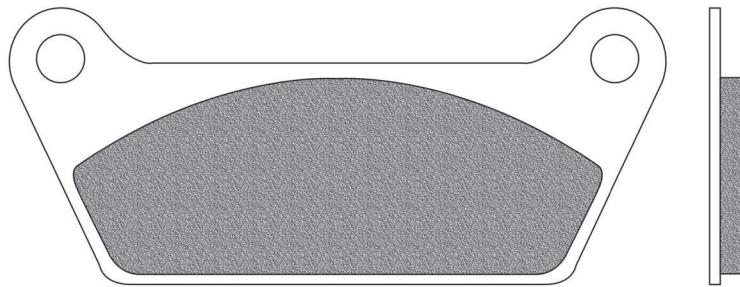
FXRT 1340 SUPER GLIDE II	83	P
FXS 1340 LOW RIDER	82	P
FXSB 1340 LOW RIDER	83->85	P
FXST 1340 SOFTAIL	84->86	P
FXSTC 1340 SOFTAIL CUSTOM	85->86	P
FXWG 1340 WIDE GLIDE	80->86	P

FD0156

(scala 1:2)

BH

D1 (mm): 174x74,5x9,3 (lxhxsp.)



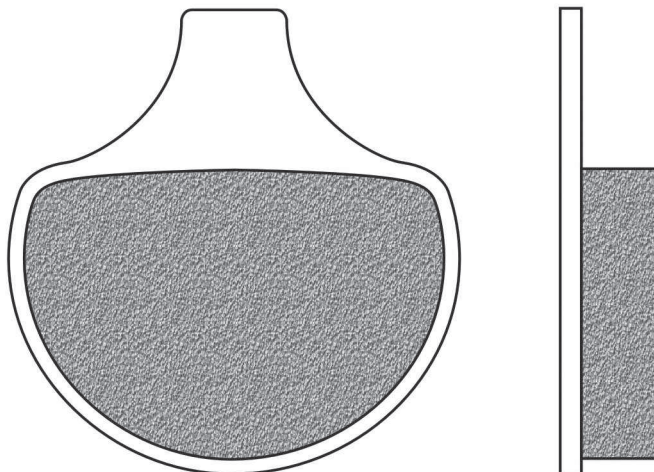
HARLEY DAVIDSON	Year	A/P
FLH 1340 80/HERITAGE	81	P
FLH 1340 CLASSIC	82	P

FLHT 1340	84	P
-----------	----	---

FD0157

BH | SH

D1 (mm): 59,5x61,5x13 (lxhxsp.)



HARLEY DAVIDSON	Year	A/P
XL 883 CUSTOM 53	99->03	A
XLH 883 SPORTSTER	84->99	A
XLH 1000 SPORTSTER	84->87	A
XLX 1000 61	84	A
XLH 1100 SPORSTER	86->87	A
XL 1200 C	97->99	A
XL 1200 S	97->99	A
XLH 1200 SPORTSTER	88->99	A
FLH 1340 MODELS	86->99	A
FLHR 1340 ELECTRA GLIDE ROAD KING	94->98	A
FLHS 1340 ELECTRA GLIDE SPORT	90->99	A
FLHT 1340	84	A
FLHT 1340 ELECTRA GLIDE	85->98	A
FLSTN 1340 HTGE. SOFTAIL NOST./SPC'L	93->99	A
FXD 1340 DYNA SUPER GLIDE	95->98	A
FXDB 1340 STURGIS/DAYTONA	91->92	A
FXDL 1340 DYNA LOW RIDER	93->99	A
FXDS 1340 DYNA LOW RIDER CONV.	94->99	A
FXDWG 1340 DYNA WIDE GLIDE	93->98	A

FIGURATO PASTIGLIE CON APPLICAZIONI | BRAKE PADS DRAWINGS AND APPLICATIONS | DESSINS PLAQUETTES AVEC APPLICATIONS |
 DISEÑOS PASTILLAS CON RELACION | ZEICHNUNGEN VON BREMSBELÄGE MIT VERWENDUNGSLISTE



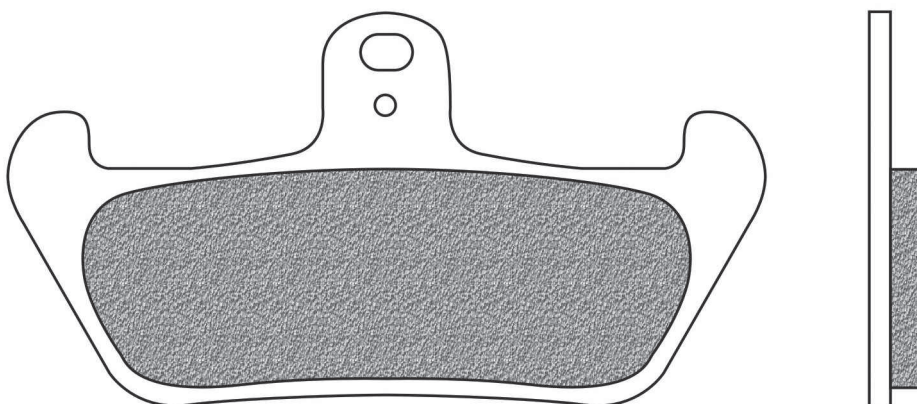
... FD0157

... segue HARLEY DAVIDSON	Year	A/P						
FXE 1340	85->86	A	FXSTB 1340 NIGHTTRAIN	99	A	FXSTS 1450 SPRINGER SOFTAIL	00->04	A
FXEF 1340	84->85	A	FXSTC 1340 SOFTAIL CUSTOM	85->99	A	FXSTS/FXSTSI 1450 SPRINGER SOFTAIL	05->06	A
FXLR 1340 LOW RIDER/CUSTOM	87->99	A	FXSTS 1340 SPRINGER SOFTAIL	88->99	A	FXSTSI 1450 SPRINGER SOFTAIL	00->04	A
FXR 1340 SUPER GLIDE	84->94	A	FXWG 1340 WIDE GLIDE	84->86	A	FLSTB 1584 SOFTAIL CROSS BONES	09->11	A
FXRD 1340 SPORT GLIDE GTE	85->86	A	FLHR 1450 ROAD KING	99	A	FLSTSC 1584 SOFTAIL SPRINGER CLASSIC	07	A
FXRS 1340 LOW RIDER	85->86	A	FLHRC 1450 ROAD KING CLASSIC	99	A			
FXRS 1340 LOW RIDER SPORT CONV.	87->94	A	FLHT 1450 ELECTRA GLIDE	99	A			
FXRT 1340 SPORT GLIDE	85->94	A	FLHTCU 1450 ELECTRA GLIDE ULTRA CLASSIC	99	A			
FXSB 1340 LOW RIDER	84->85	A	FLSTS 1450 HERITAGE SOFTAIL SPRINGER	00->04	A			
FXST 1340 ICE BOB	99	A	FLSTSC/FLSTSCI 1450 SOFTAIL SPRINGER CLASSIC	05->06	A			
FXST 1340 SOFTAIL	84->86	A	FLSTSI 1450 HERITAGE SOFTAIL SPRINGER	00->04	A			
FXST 1340 SOFTAIL STANDARD	99	A	FXD 1450 DYNA SUPER GLIDE	99	A			
FXSTB 1340 BAD BOY	95->97	A	FXDWG 1450 DYNA WIDE CLASSIC	99	A			
			FXDX 1450 DYNA SUPER GLIDE CLASSIC	99	A			

FD0158

BT

D1 (mm): 100x52x7,8 (lxhxsp.)

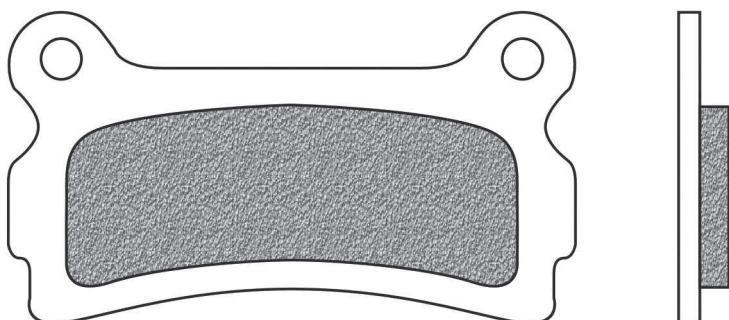


APRILIA	Year	A/P				GILERA	Year	A/P
TUAREG 125 WIND	90->	A	K7 125 ENDURO	91->	A	RC 600	91->	A
TUAREG 350 WIND	90->	A	MITO 125	91->92	A	RC 600 R	91->	A
TUAREG 600 WIND	89->	A	MITO 125 525	06->10	A			
TUAREG 600 WIND PARIS-DAKAR	89->	A	N 125	91->	A			
			SUPERCITY 125	92->00	A	MOTO GUZZI	Year	A/P
CAGIVA	Year	A/P	TAMANACO 125	88->	A	QUOTA 1000	92->97	P
SUPERCITY 50	93->	A	W8 125 PRO ACTION	96->	A			
SUPERCITY 80	94->	A	W8 PRO ACTION 125	92->95	A	MOTO MORINI	Year	A/P
FRECCIA 125 C10 all models	88->	A	W 12 350	92->	A	DART 350	90->	A
FRECCIA 125 C12 R	89->91	A	W 16 650	93->	A	DART 400	90->	A
			ELEFANT 750	88->89	P	COGUARO 501	89->	A

FD0159

BD

D1 (mm): 75x41x6,7 (lxhxsp.)

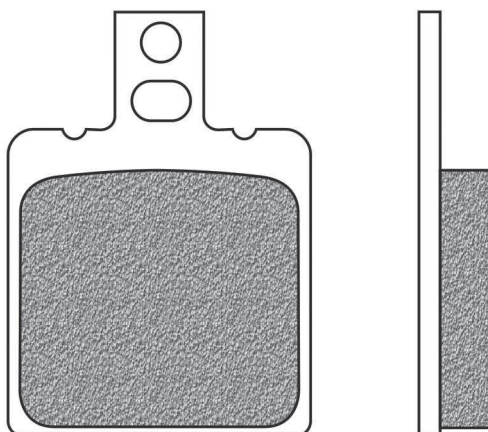


BETA	Year	A/P
SUPERTRIAL 50	92->	P
TRIAL 125	97->	P
ALP 240	91->95	P
SUPERTRIAL 240	92	P
TR 35 250	92->	P
TR 36 250	92->	P
ALP 260	90->	P
SYNT 260	92->	P
TR 35 260	89->91	P
ZERO 260 SYNT	89->92	P

FD0160

BT

D1 (mm): 40x56,5x9,3 (lxhxsp.)



GILERA	Year	A/P
RC 600 NORDWEST	90->	P

HONDA	Year	A/P
CRM 125 (Italy)	90	P
NSR 125 R - F	89->01	P
NSR 125 RAIDEN	90->	P

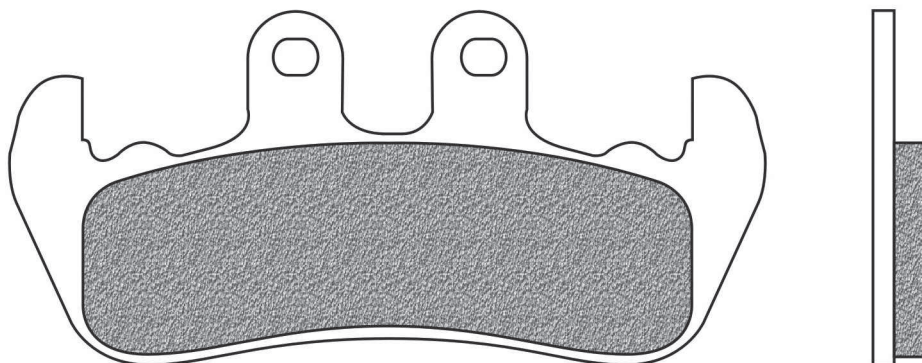
HONDA ITALIA	Year	A/P
NSR 125 R	89->	P

MZ	Year	A/P
SKORPION 660 SPORT	95->99	P
SKORPION 660 TOUR	95->99	P
SKORPION 660 TRAVELLER	99->	P

FD0161

BT

D1 (mm): 100x47x7,5 (lxhxsp.)



HM	Year	A/P
CRE 50 (da telaio nr.1001 a 2818)	A	A

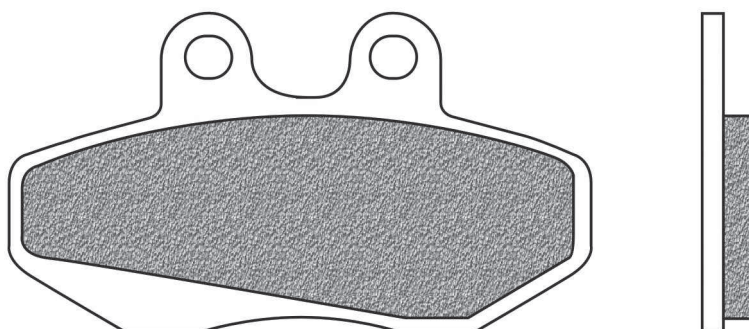
YAMAHA	Year	A/P
DT 125 TENERE SCOUT	90->	A

DT-Z 125 TENERE	89->90	A
-----------------	--------	---

FD0162

BA BT

D1 (mm): 77x42x7,5 (lxhxsp.)



AJP	Year	A/P
PR4 125 ENDURO	04->07	A
PR4 125 SUPERMOTARD	04->07	A
PR4 200 ENDURO	04->07	A
PR4 200 SUPERMOTARD	04->07	A

APRILIA	Year	A/P
RX 50	03->16	A
RX 50 ENDURO	95->03	A
SX 50	06->14	A

CLASSIC 125	Year	A/P
PEGASO 125	95->01	A
RED ROSE 125	89->91	A
RX 125	90->94	A
TUAREG 125 RALLY	90	A
	89->90	A

BETA	Year	A/P
PRO RACE 50	98	A
RR 50 PRO RACE	98->	A
RR 50 SUPERMOTARD	99->03	A

BULTACO	Year	A/P
ASTRO 50	99->00	A
LOBITO 50	99->14	A
LOBITO 75	99->	A

CAGIVA	Year	A/P
ELEFANT 750 BIFARO	90->92	P

CH RACING	Year	A/P
WSM 50 MOTARD	05->	A

FIGURATO PASTIGLIE CON APPLICAZIONI | BRAKE PADS DRAWINGS AND APPLICATIONS | DESSINS PLAQUETTES AVEC APPLICATIONS |
 DISEÑOS PASTILLAS CON RELACION | ZEICHNUNGEN VON BREMSBELÄGE MIT VERWENDUNGSLISTE



... FD0162

... segue CH RACING	Year	A/P
WXE 50 ENDURO	05->	A
WSM 125 MOTARD	05->	A
WXE 125 ENDURO	05->	A

DERBI	Year	A/P
GPR 50 R	97->01	A
GPR 50 R X-RACE EU2	05->09	A
GPR 50 R DRD RACING EU2	05->08	A
GPR 50 R EU2 - REPLICIA EU2	08	A
GPR 50 R X-RACE EU2	06->09	A
GPR 50 R X-TREME EU2	05->08	A
GPR 50 RACING EU2	06	A
GPR 50 REPLICIA - R EU2	06	A
GPR 50 REPLICIA 2T	07	A
GPR 50 REPLICIA PESEK EU2	07	A
GPR 50 SM DRD PRO EU2	05->08	A
GPR 50 SM DRD RACING EU2	05->08	A
GPR 50 SM DRD RACING LTD EU2	07	A
GPR 50 SM X-RACE EU2	06->09	A
GPR 50 SM X-TREME EU2	05->08	A
SENDA 50 R DRD	03->04	A
SENDA 50 R RACER	02->	A
SENDA 50 R XTREAM	00->01	A
SENDA 50 SM DRT	02->	A
SENDA 50 SM RACER	02->	A
SENDA 50 SM XTREAM	00->01	A

SENDA 50 SR	01->	A
SENDA 50 SUPERMOTARD	00->	A
PREDATOR 125	99->	A
PREDATOR 180	99->	A

GAS GAS	Year	A/P
EC 50 ROOKIE	01->04	A
SM 50 ROOKIE	02->	A

HRD	Year	A/P
GS 50 ENDURO	00->02	A
SONIC 2 50 SUPERMOTARD	00->02	A
SONIC 2 50 TRAIL	00->02	A
SUPERMOTARD 125	00->02	A
TRAIL 125	00->02	A

HUSQVARNA	Year	A/P
SM 50	02->09	A
WR 50	02->	A

HYOSUNG	Year	A/P
RX 125 EURO 3	07->08	A

MOTORHISPANIA	Year	A/P
FURIA 50 SUPERMOTARD	97->01	A
RX 50 RACING	04->05	A
RYZ 50 SUPERMOTARD	04->05	A

PEUGEOT	Year	A/P
XR 6 50 RACE SPEC	02->07	A

RIEJU	Year	A/P
MRX 50 PRO	05->	A
RACING 50 SPECIAL EDITION	01->	A
SMX 50 (pinza Grimeca)	02->	A
SPIKE 50 RACING	02->	A
MRX 125 (pinza Grimeca)	03->	A
SMX 125 (pinza Grimeca)	03->	A

SHERCO	Year	A/P
ENDURO 50	02->06	A
SUPERMOTARD 50	02->06	A
CITY CORP 125 4T ENDURO	03->07	A
CITY CORP 125 4T SM	03->07	A

SIAMOTO	Year	A/P
BD - KD 125	02->	A

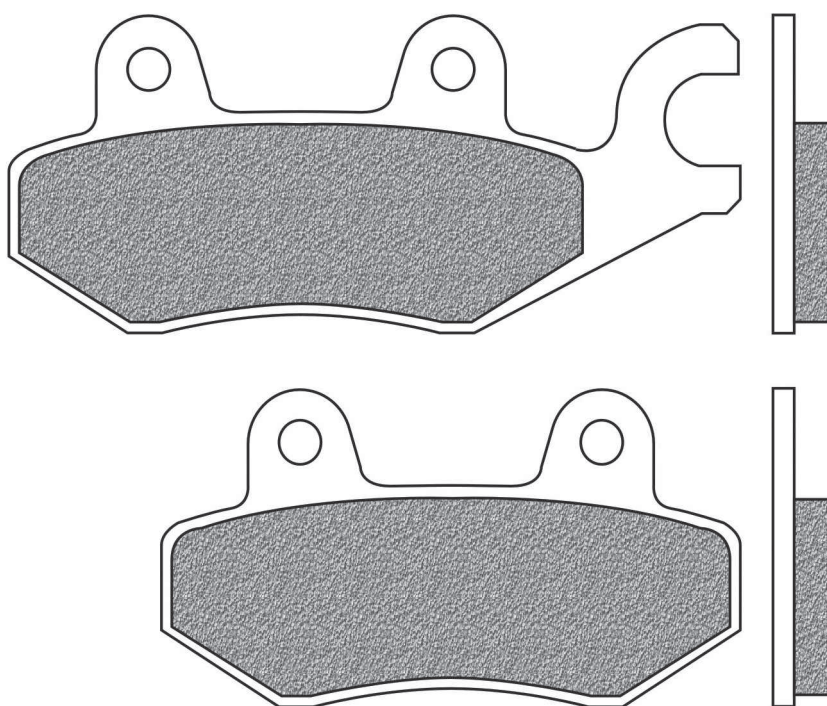
SIMSON	Year	A/P
SM 125	01->	A

TOMOS	Year	A/P
SE 50	05->	A
SE 125	05->	A

FD0163
BA | BD | BE | BT | BV | RO1 | SE | SD | TS

D1 (mm): 97x42x7,4 (lhxsp.)

D2 (mm): 76,5x42x7,8 (lhxsp.)



COMMANDER 1 4x4 STD / XT / SLV	13->15	A
RYKER 600 ACE	19->20	A
COMMANDER 800 (model with locking rear diff)	14->15	A
COMMANDER 800 IS MARKET	13	A
COMMANDER 800 R / DPS / STD / XT / XTI	11->20	A
RYKER 900	19->20	A
COMMANDER 1000 R (model with locking rear diff)	14->15	A
COMMANDER 1000 R LTD	12->20	A
COMMANDER 1000 R STD / DPS / X / XT / XTP	12->19	A
COMMANDER 1000 X / IS MARKET	13	A
MAVERICK 1000 R XMR (sx/left)	13->18	A
MAVERICK 1000 STD / X RS / XXC (sx/left)	13->14	A
MAVERICK 1000 STD / XRS / XRS-DPS / XXC / XMR (sx/left)	13->18	A

CF MOTO	Year	A/P
CF 250 T-6A V-NIGHT (sx / left)	12	A / P
U FORCE 550	14->18	A
RANCHER 600	12	A
TERRACROSS 600	12	A
Z FORCE 600	13->15	A
TERRACROSS 625 EX	12->13	A
U FORCE 800	14->17	A
Z FORCE 800 EX	14->17	A

E-TON	Year	A/P
LXL / CLX 150 CHALLENGER	03->05	P
RXL 150 VIPER	05->06	P
ST EXL 150 VIPER	05->	P
ST EXL 150 YUKON	05->	P

HONDA	Year	A/P
NSR 50 R	97->00	A
NSR 50 V - X	97->99	A
NSR 80 R	93->99	A
SUPRA 100	99->	A
CB 125 F	15->18	A

JINCHENG	Year	A/P
JC 125 2A/3A	97->	A

KAWASAKI	Year	A/P
KAZE 115 R	98->	A
NINJA 125	19->20	A / P
Z 125	19->20	A / P

...segue

AEON	Year	A/P
OVERLAND 125	02->	P
OVERLAND 180	02->	P
ROADSTER 180	02->	P

BENELLI	Year	A/P
CAFFENERO 125	08->	A

CAGIVA	Year	A/P
CANYON 500	96->00	P

CANYON 600	95->99	P
CANYON 900 I.E.	97->	P

ELEFANT 900 I.E.- GT - AC	91->94	P
GRAN CANYON 900	99->04	P

ELEFANT 906	90->	P
NAVIGATOR 1000	00->05	P

CAN AM	Year	A/P
COMMANDER 1 2x4 LSV / LSVE	13->15	A

... FD0163

... segue KAWASAKI	Year	A/P
KR 150	98->	A
EX 250 R NINJA	08->19	A/P
EX 250 SL NINJA	15->17	A/P
Z 250 SL	15->17	A/P
EL 252	01->	A
KLE 300 VERSYS-X	17->19	P
KLF 300 BAYOU (C1/C12)	89->05	A
NINJA 300 (EX R)	13->17	A/P
Z 300	15->18	A/P
KLF 400 BAYOU 4x4	93->98	A
NINJA 400	18->20	A/P
NINJA 400 KRT EDITION	18->19	A/P
Z 400 DKF	19->20	A/P
KLR 650	08->09	P
KVF 650 BRUTE FORCE 4x4i	05->11	A
KRF 750 TERYX 4x4	08->13	A
KVF 750	08->11	A
KVF 750 BRUTE FORCE 4x4i	05->15	A
EJ 800 DLF	20	A/P
EJ 800 STREET / CAFE	19->20	A/P
KRF 800 TERYX 4	14->17	A
KRT 800 TERYX 4	14->17	A
W 800 CAFE / STREET (EJ 800)	19->20	P
KREIDLER	Year	A/P
FLORETT 125	07->	A
FLORETT 125 RMC-F	07->	A

MODENAS	Year	A/P
KRISS 115	99->	A
MOTOR UNION	Year	A/P
HK 250 HAOKE	97->	A
SUZUKI	Year	A/P
TZR 50	97->	A
BURGMAN 125 UH	15->19	A
FX 150 4 STROKE	98->	A/P
RG 150 WATER COOLED	98->	A/P
BURGMAN 200 UH	14->18	A
LT-F 300 KING QUAD	02	A
BURGMAN 400 AN	07->19	A
LT-R 450	06->12	A
LT-A 500 F QUADRUNNER	00->01	A
LT-F 500 F QUADRUNNER	98->00	A
DR 800 BIG all models	91->93	P
TRIUMPH	Year	A/P
TRIDENT 749	91->98	A
SPEED TRIPLE 885 (carb)	94->98	P
TIGER 885 up to VIN 71698	93->98	A
DAYTONA 900 SPRINT	93	A
DAYTONA 885 900	95->98	P
SPRINT 885 900	94->97	P
SPRINT EXECUTIVE 885 900	98->	P
SPRINT SPORT 885 900	97->98	P
TRIDENT 885 900	91->98	A
TROPHY 885 900	91->95	A

TIGER 955 VIN 198875 to VIN 287503	04->06	P
TROPHY 1000	91->95	A
TIGER 1050	07->13	P
TIGER SE 1050	06->17	P
TROPHY 1180 1200	91->95	A
YAMAHA	Year	A/P
FZR 50	90->91	A
TZM 50 R	94->	A
TZR 50	90->02	A
TZR 80	96->98	A
TZR 125 (versione Spagna)	87->	A
YBR 250	07->11	A
YFZ 450	04->10	A
YXR 660 RHINO 4x4	04->09	A
YFM 700 R RAPTOR	06->19	A
YFM 700 R RAPTOR SPECIAL EDITION	13->20	A
YFM 700 RSEW / RSPX	07->12	A
YXR 700 F RHINO	08->14	A
XTZ 750 SUPER TENERE	89->95	A

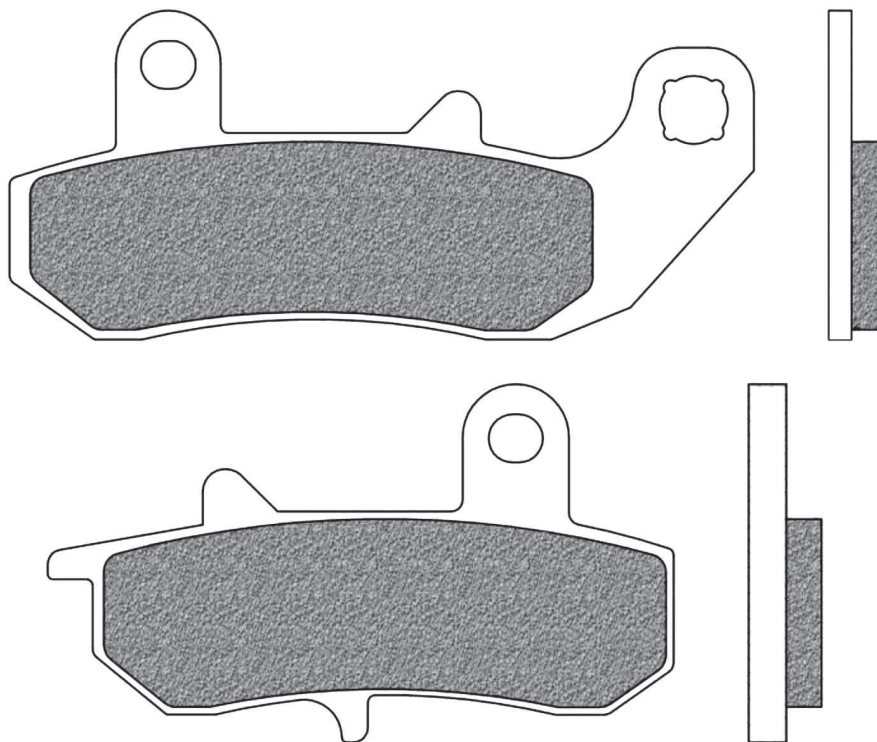
FIGURATO PASTIGLIE CON APPLICAZIONI | BRAKE PADS DRAWINGS AND APPLICATIONS | DESSINS PLAQUETTES AVEC APPLICATIONS
 DISEÑOS PASTILLAS CON RELACION | ZEICHNUNGEN VON BREMSBELÄGE MIT VERWENDUNGSLISTE

FD0164

BT

D1 (mm): 99,5x44x7,4 (lxhvsp.)

D2 (mm): 83,5x48x9,7 (lxhvsp.)



SUZUKI	Year	A/P
RG 125 T - FV	92->94	P
RG 125 UN WOLF (NAKED)	92->94	P
RG 200 GAMMA	93->	P
RG 200 WOLF	93->	P
DR 600 R	86->89	P

DR 650 R	90->95	P
DR 650 RS-R DAKAR	90	P
DR 650 RS-RSE-DJEBEL-DAKAR	91->95	P
VS 650	91->	P
DR 750 S BIG	89	P
DR 800 BIG S - SU	90	P

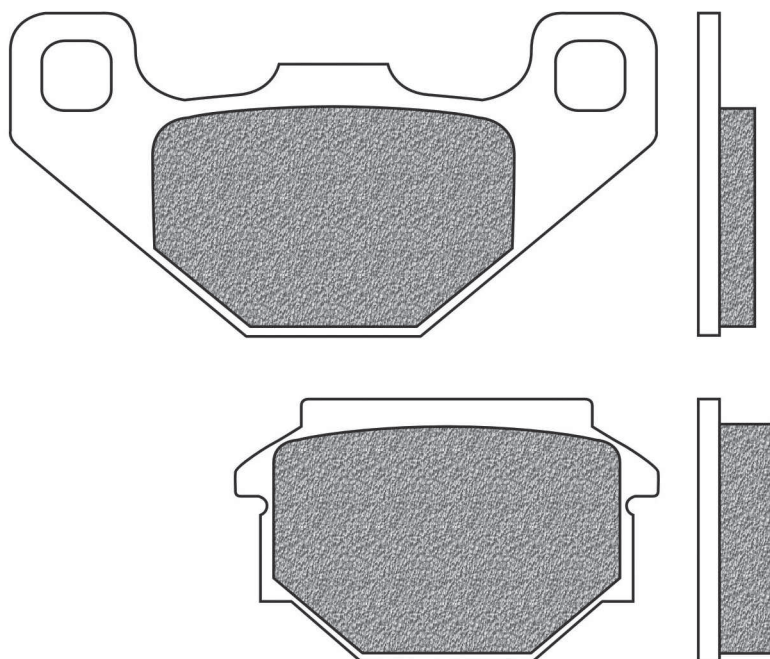
YAMAHA	Year	A/P
DT-Z 125 TENERE	89->90	P



FD0165
BA | BE | BT

D1 (mm): 85,5x43x7,3 (lxxhxp.)

D2 (mm): 56x34,5x9,7 (lxxhxp.)



GILERA	Year	A/P
EAGLET 50	96->	P
RC 50 TOP RALLY	90->	A / P

HM	Year	A/P
CRE 50 (da telaio nr.2819)		P

LEM	Year	A/P
FLASH 50	94->	A

MALAGUTI	Year	A/P
F 10 50	92->93	A

MZ	Year	A/P
BAGHIRA 660	96->	P
BLACK PANTHER 660	00->	P
MASTIFF 660	96->	P
STREET MOTO 660	00->	P

PEUGEOT	Year	A/P
SV 50 ROLLAND GARROS	93->	A
SV 50 SPORT	93->	A
SV 50 T (forcella telescopica)	93->	A
VIVACITY 50	98->	A
VIVACITY 100	98	A

SACHS	Year	A/P
X ROAD 125	05->	P
XTC 125	00->07	P
ZX 125	99->	P
ZZ 125	99->	P
MAD ASS 500	05->	P
ROADSTER 650 V 1.6	01->	P
ROADSTER 800 V 2	00->	P

SIMSON	Year	A/P
RS 125	01->	P

YAMAHA	Year	A/P
TDR 125 (Italia)	89->93	P

APRILIA	Year	A/P
MX 125 SUPERMOTO	07->	P
PEGASO 125	92->99	P
RX 125	90	P
TUAREG 125 RALLY	89->90	P
PEGASO 600	89->91	P
TUAREG 600 WIND	89->	P
TUAREG 600 WIND PARIS-DAKAR	89->	P
MOTO 650 6.5	95->96	P
PEGASO 650	91->95	P

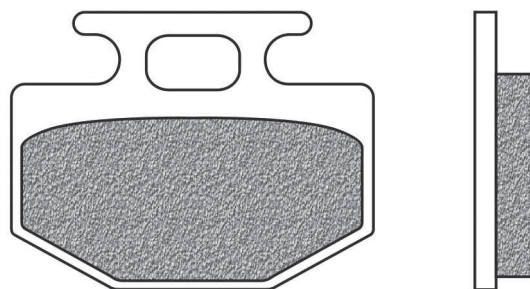
CAGIVA	Year	A/P
WMX 50	89->	P
N 90 ENDURO	90->	P

FANTIC	Year	A/P
BIG WEEL 50	94->	P
GRINTA 50	95->	P
LEADER 50	95->	P

GARELLI	Year	A/P
BIG WHEEL 50	93->	P

FD0166
BT

D1 (mm): 48x37x7,3 (lxxhxp.)



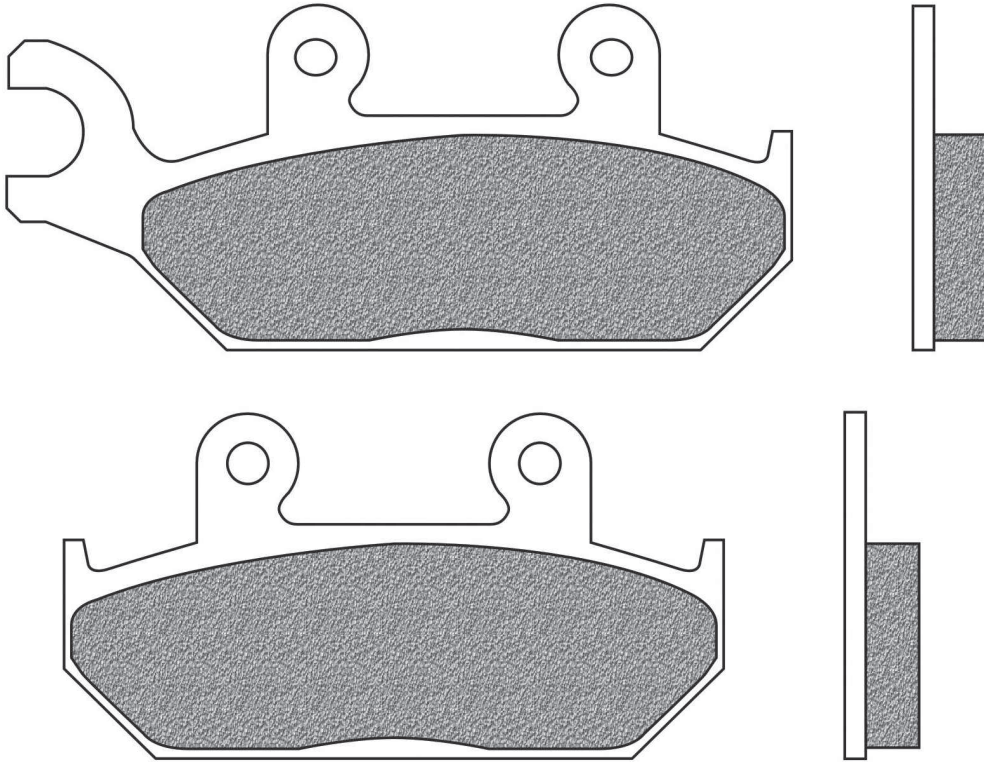
HONDA	Year	A/P
MONKEY 50	88->	A
NH 50 LEAD (disk)	88->92	A
NH 80 LEAD	85	A
NH 125 LEAD	88->	A

FD0167

BT | TS

D1 (mm): 104x46x10 (lxhvsp.)

D2 (mm): 88x46x10 (lxhvsp.)

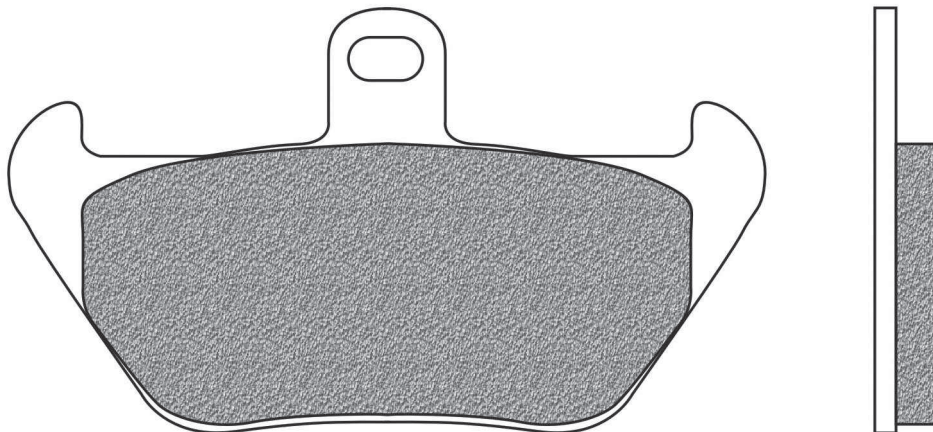


YAMAHA	Year	A/P			
TZR 50	93->02	P	XT E 600	90->02	A
400 ARTESIA	91->	A	XT K 600	91->93	A
			XT Z 660 TENERE	91->96	A

FD0168

BT | TS

D1 (mm): 100x56x8,4 (lxhvsp.)

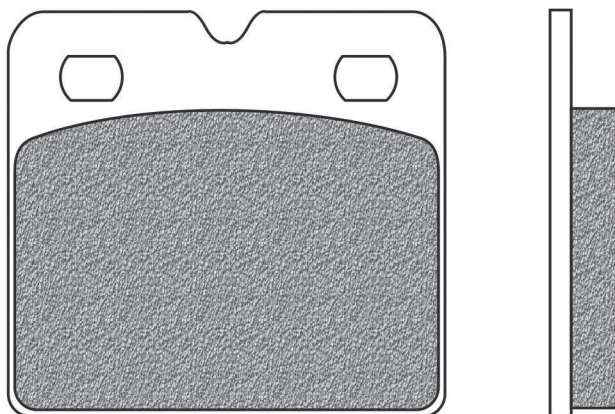


BMW	Year	A/P			
R 80 R 800 ROADSTER	93->94	A	K 1 1000	88->93	A
R 80 R 800 R	91->94	A	K 100 RS 1000	90->92	A
R 80 R 800 R MYSTIK	94->95	A			

FIGURATO PASTIGLIE CON APPLICAZIONI | BRAKE PADS DRAWINGS AND APPLICATIONS | DESSINS PLAQUETTES AVEC APPLICATIONS |
 DISEÑOS PASTILLAS CON RELACION | ZEICHNUNGEN VON BREMSBELÄGE MIT VERWENDUNGSLISTE

FD0169
BT

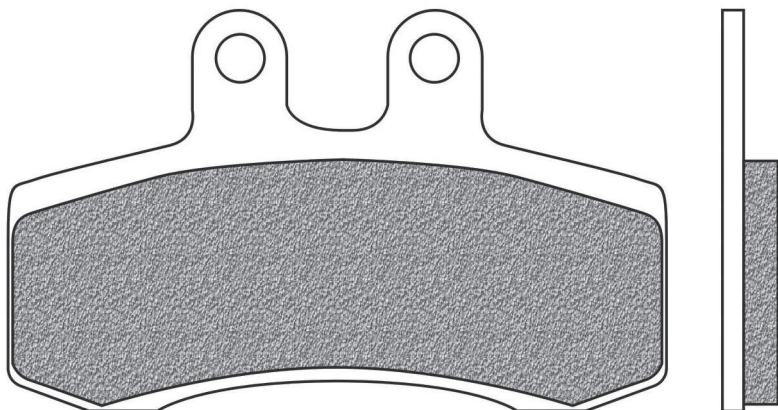
D1 (mm): 58x53,5x8,8 (lxxhxp.)



BMW	Year	A/P
R 65 650	89->	A
K 75 750	90->96	A
K 75 750 (pinza ABS)	91->	A
K 75 RT 750	89->05	A
K 75 RT 750	94->05	P
K 75 S 750	88->93	A
R 80 R 800 ROADSTER	93->94	P
R 80 R 800 (twin disc)	88->95	A
R 80 RT 800 (twin disc)	88->95	A
R 850 C AVANTGARDE	01	P
R 850 R ROADSTER	95->00	A
K 100 LT 1000	88->91	A
K 100 RS 1000	88->89	A
K 100 RT 1000	89->	A
R 100 RS 1000 (21_0067 - 2478)	88->92	A
R 100 RT 1000	89->95	A

FD0171
BT

D1 (mm): 87x53x7,5 (lxxhxp.)

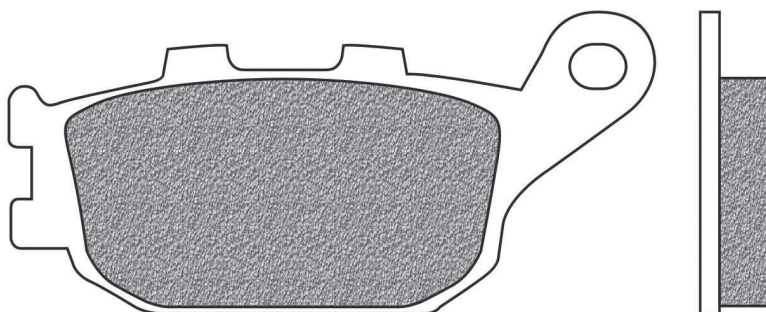


APRILIA	Year	A/P
PEGASO 650	91->95	A

MZ	Year	A/P
SM 125	99->01	A
SX 125	99->01	A
BAGHIRA 660	96->	A
BLACK PANTHER 660	00->	A
MASTIFF 660	96->	A
STREET MOTO 660	00->	A

FD0172
BE | BT | TS

D1 (mm): 86,5x40x8,9 (lxxhxp.)



HONDA	Year	A/P
VTR 250	98->07	P
CB 400 SUPER FOUR BOL DOR	04->05	P
VRX 400 T (NC33)	96	P
CBF 500	04->07	P
CBF 500 ABS	04->07	P
CB 600 F HORNET	98->06	P
CB 600 F HORNET (Japan)	98->	P
CB 600 F HORNET ABS	07->08	P
CB 600 F HORNET S	00->04	P
CBF 600	04->11	P

CBF 600 ABS	08->11	P
CBR 600 F	91->07	P
CBR 600 F4 / FS / FR SPORT	01->02	P
CBR 600 RR	03->06	P
NC 700 D INTEGRA	12->13	P
NC 700 SA ABS	12->13	P
NC 700 SD ABS (w/DTC)	12->13	P
NC 700 XA ABS	12->13	P
NC 700 XD ABS (w/DTC)	12->13	P
XL 700 VTRANSALP ABS	08->11	P
CB 750 N SEVEN FIFTY	92->02	P

CB 900 HORNET	02->07	P
CBR 900 RR FIREBLADE (918 cc)	95->97	P
CBR 900 RR-FIREBLADE (893 cc)	92->94	P
CBR 900 RR-FIREBLADE (918 cc)	98->99	P
CBR 900 RR-FIREBLADE (929 cc)	00->01	P
CBR 900 RR-FIREBLADE (954 cc)	02->03	P
CB 1000 F	93->97	P
CBF 1000	06->11	P
CBF 1000 F	10->14	P
CBF 1000 F ABS	15->18	P
CBF 1000 LIMITED EDITION	09->14	P
CBR 1000 F BIG ONE	93->97	P
CBR 1000 RR FIREBLADE	04->05	P
CRF 1000 L AFRICA TWIN	16->19	P
CRF 1000 L AFRICA TWIN ADVENTURE SPORTS	18->19	P
VTR 1000 F FIRESTORM	97->07	P
VTR 1000 SP	00->07	P
1100 AMERICAN CLASSIC EDITION	95->	P
CB 1100	13	P
CB 1100 EX	14->19	P
CB 1100 EX ABS	17->19	P
CB 1100 RS ABS	17->19	P
CRF 1100 L AFRICA TWIN	20	P
CRF 1100 L AFRICA TWIN ADVENTURE SPORTS	20	P
VT 1100 C2	95->05	P

...segue

... FD0172

... segue HONDA	Year	A/P
VT 1100 C3	98->00	P
CB 1300 F SUPER FOUR	03->04	P
CB 1300 S	11->15	P
CB 1300 SUPER BOL DOR	05->08	P
CB 1300 SUPERFOUR	05->13	P
VT 1300 FURY	10->18	P
VTX 1300 C	04->09	P
VTX 1300 S	03->08	P
KAWASAKI	Year	A/P
EN 650 VULCAN S	15->20	P
EN 650 VULCAN S CAFE	17->19	P
EN 650 VULCAN SE	17->19	P
NINJA 650 ABS	17->20	P
Z 650 ABS	17->20	P
Z 750	07->12	P
Z 750 R ABS	11->12	P
Z 900 RS	18->20	P
KLV 1000	04->07	P
KLZ 1000 VERSYS	12->18	P
KLZ 1000 VERSYS ABS	15->20	P
KLZ 1000 VERSYS LT	15->16	P
Z 1000	07->09	P
Z 1000 H2	20	P
SUZUKI	Year	A/P
DL 250 V STROM	17->19	P
GSX 250 R	17->20	P
GW 250 INAZUMA	12->19	P
SV 400	03->05	P
DL 650 V STROM	04->20	P
DL 650 V STROM X	04->12	P

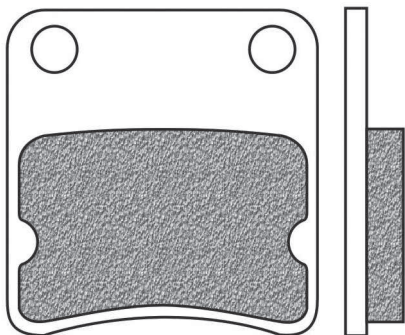
DL 650 V STROM XT	15	P
GSF 650 BANDIT ABS	05->12	P
GSF 650 S BANDIT ABS	07->13	P
GSX 650 F	08->16	P
SV 650	03->12	P
SV 650 ABS	07->18	P
SV 650 S	03->12	P
GSR 750	11->16	P
GSX 750 F	08->09	P
GSX-S 750	15->20	P
GSX-S 750 Z	17->19	P
DL 1000 V STROM	02->13	P
GSX-S 1000 KATANA	19->20	P
SV 1000 FAIRED	03->07	P
SV 1000 NAKED	03->07	P
GSF 1200 BANDIT	06->09	P
GSF 1200 BANDIT STREETFIGHTER	07->12	P
GSF 1200 S BANDIT	06	P
GSF 1250 BANDIT	07->12	P
GSF 1250 S BANDIT	07->15	P
GSX 1250 FA	10->12	P
GSX 1250 SPORT TOURING	10->14	P
GSX 1300 B KING	07	P
YAMAHA	Year	A/P
FZ6 600 FAZER	04->07	P
FZ6 600 FAZER ABS	06->07	P
FZ6 N 600	04->07	P
FZ6 NS 600	05->06	P
FZ6 S2 600	07->09	P
FZ6 S2 600 FAZER	07->09	P
FZ6 S2 600 FAZER ABS	08	P

XJ6 F 600 DIVERSION	13->16	P
XJ6 N 600 DIVERSION	13->16	P
XJ6 S 600 DIVERSION	13->15	P
YZ-F 600 R6	03->16	P
MTM 690 U XSR 700	18->20	P
MTM 690 XSR 700	18->20	P
MTT 690 A TRACER (700)	16->19	P
MT-07 700	14->20	P
MT-07 700 MOTO CAGE	14->18	P
MT-07 700 SP	18	P
XSR 700	16->20	P
FZ8 N 800	11->15	P
FZ8 NA 800	11->15	P
FZ8 S 800 FAZER	11->15	P
FZ8 SA 800 FAZER	11->15	P
MXT 850 NIKEN	18	P
MXT 850 NIKEN GT	19->20	P
MT-09 900 (MTN 850)	17->20	P
MT-09 900 SP (MTN850)	18	P
MT-09 900 STREET RALLY (850cc)	14->16	P
MT-09 900 TRACER (850cc)	17->18	P
MT-09 900 TRACER (MTT850)	19->20	P
MT-09 900 TRACER GT (MTT850)	18	P
XSR 900 (850)	16->20	P
FZ1 1000	06->12	P
FZ1 1000 FAZER	06->12	P
MT-10 1000	16->20	P
MT-10 1000 SP	17->19	P
YZ-F 1000 R1	04->14	P

FD0173

BA

D1 (mm): 41x43x7,7 (lhxsp.)



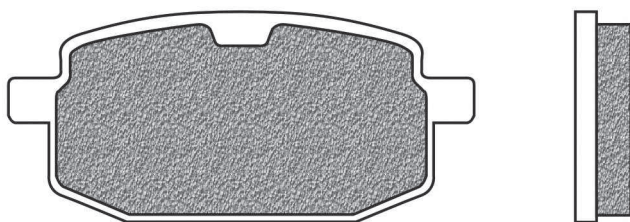
BS VILLA	Year	A/P
ZX 50	93->	A
CAGIVA	Year	A/P
CITY 50	92->94	A
DAELIM	Year	A/P
BONITA 50	09->	A
GZ 50 G MESSAGE	98->	A
SJ 50 S FIVE	06->	A
GARELLI	Year	A/P
PANTHER 125	02->	A
PANTHER 150	02->	A
PANTHER 250	02->	A
HONDA	Year	A/P
DIO 50 GP	91->	A
DIO 50 SR	90->	A
DIO 50 ZX	92->	A
HSC 50 all models	92->	A
LIFE DIO 50 ZX	94->	A

SUPER DIO 50 SR	91->92	A
SUPER DIO 50 ZX	92->	A
XR 50 DIO BAJA	94->	A
TUR/ML 125 (Brasil)		A
STRADA 200 (Brasil)		A
HSC	Year	A/P
HSC 01 50	92->	A
SR 50 DIO	92->	A
ZR 50	92->	A
ZX 50 DIO	92->	A
SYM	Year	A/P
CINDERELLA 50	99->00	A
CITY HOPPER 50	99->	A
FANCY 50	95->	A
SUPER FANCY 50	99->00	A
CINDERELLA 100	99->00	A
SUPER FANCY 100	99->	A

FD0175

BA

D1 (mm): 61,5x28x7,3 (lhxsp.)



ADLY	Year	A/P
SILVER FOX 25	00->05	A
CAT 50	01->	A
COSY 50	01->	A

FOX 50	00->	A
FOX PLUS 50	01->	A
JET 50	96->	A
PISTA - TWIN LIGHT 50	96->	A

RT 50 ROAD TRACER	02->	A
SILVER FOX 50	00->05	A
FOX PLUS 70	01->	A
PISTA - TWIN LIGHT 70	96->	A
COSY 80	01->	A
RT 90 ROAD TRACER	02->	A
CAT 100	01->	A
JET 100	96->	A
RT 100 ROAD TRACER	02->	A
SILVER FOX 100	00->05	A
CAT 125	01->	A

BS VILLA	Year	A/P
AX 50	93->	A
DIO GP 50	93->	A



... FD0175

... segue <i>BS VILLA</i>	Year	A/P
DIO SP 50	93->	A
GZ 50	93->	A

FANTIC	Year	A/P
BIG WEEL 50	94->	A
GRINTA 50	95->	A
LEADER 50	95->	A
PONY 50 SR	93->	A
QUEENIE 50	95->	A

GARELLI	Year	A/P
BIG WHEEL 50	93->	A
CPR 50	02->	A
FX 50	02->	A
GRINTA 50	95->	A
PMX 50 RALLY	00->	A
PONY 50 SR	92->	A
QUEENIE 50	95->	A
STARTER 50	02->	A

ITALJET	Year	A/P
BAZOOKA 2 50	92->	A
CRUISE 50	95->	A
PISTA 50	92->	A
SCOOP 50	93->	A
YANKEE 8 50	94->	A

MBK	Year	A/P
CR Z 50 TARGET	91->95	A
YW 100 BOOSTER	99->01	A

MZ	Year	A/P
MOSKITO 50	99->	A
MOSKITO 125	99->	A

PETERSON	Year	A/P
HURRICANE 50	95->	A
SR 50 RACING	95->	A
HURRICANE 80	95->	A
SR 80 RACING	95->	A

PEUGEOT	Year	A/P
TREKKER 50	97->	A
V-CLICK 50	08->	A

PGO	Year	A/P
BIG MAX 50	94->02	A
PM X 50		A
TORNADO 50		A
BIG MAX 80	95->	A
BIG MAX 90	95->	A

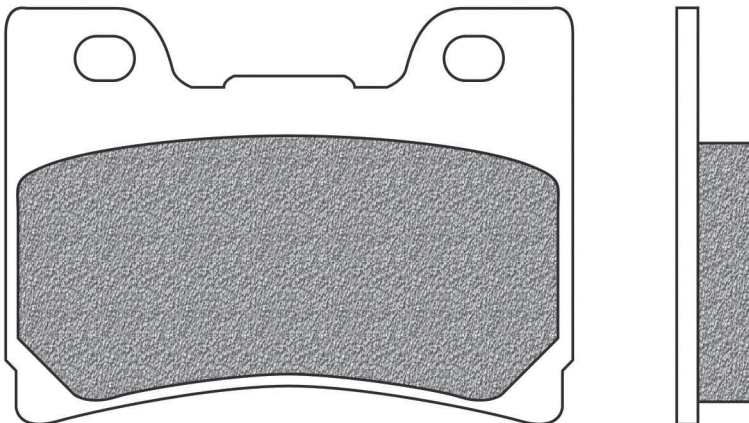
SIAMOTO	Year	A/P
BIRDIE 50	02->	A

SULA	Year	A/P
CITY BIRD 50	99->	A

YAMAHA	Year	A/P
AXIS 50 PROFOOT	94->	A
AXIS 50 YA	93->	A
CR 50 TARGET	91->	A
CR 50 Z	92->	A
JOG 50 (España)	88->	A
JOG 50 (ITALIA)	91->96	A
RS 50 CHAMP	88->	A
SPY 50	->02	A
TRUNK 50	94->	A
ZEST 50 YE	93->97	A
TZR 80	92->95	A
AXIS 90 (Brasil)		A
CR 90 TARGET	91->	A
JOG 90	90->	A
JOG 90 (Brasil)		A
BW S 100	99->01	A

FD0176
BT | TS

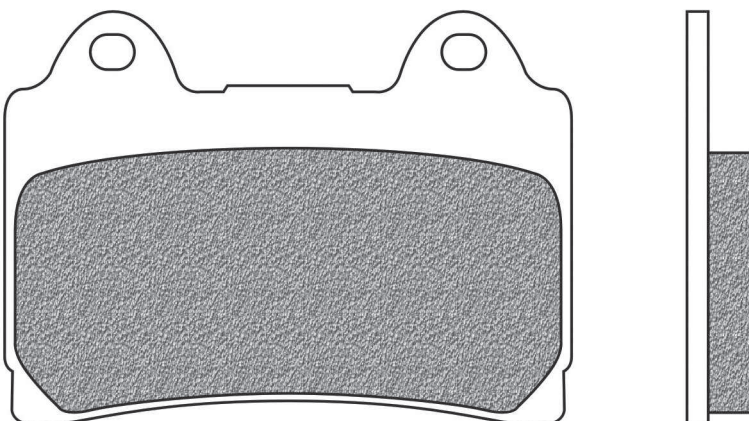
D1 (mm): 75x55x10,5 (lxhxsp.)



YAMAHA	Year	A/P
FZR 600 R	94->95	A
FZR 1000 EX-UP	91->93	A

FD0177
BT

D1 (mm): 75x55x8,8 (lxhxsp.)

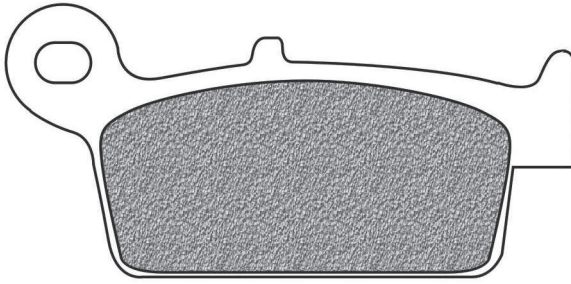


YAMAHA	Year	A/P
SRX 600	90->91	A
FZR 750 GENESIS	87->	A
FJ 1200	88	A
FJ 1200 ABS	91->95	A
XJR 1200	94	A
XV 1300 AH/ATH ROYAL STAR	96->	A

FD0178

BA | BE

D1 (mm): 75x36x7,5 (lxhxsp.)



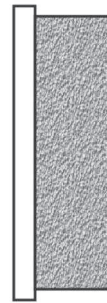
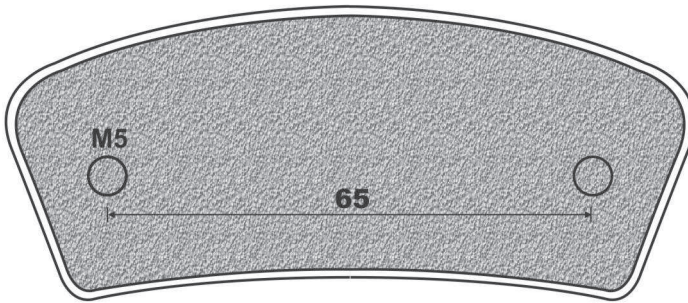
HONDA	Year	A/P
NSR 75 NS-1	92->00	P

PEUGEOT	Year	A/P
SV 50 GEO	92	A
ZENITH 50	94->95	A
SV 125 GEO	91->92	A

FD0179

K1

D1 (mm): 91x39x13 (lxhxsp.)

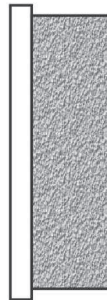
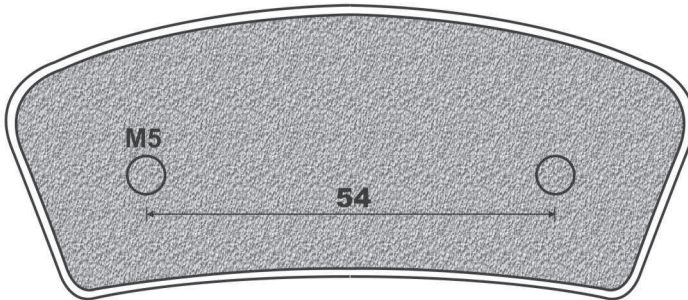


TONY KART	Year	A/P
interasse fori 65 mm diametro M5 th 13		P

FD0180

K1

D1 (mm): 91x39x13 (lxhxsp.)

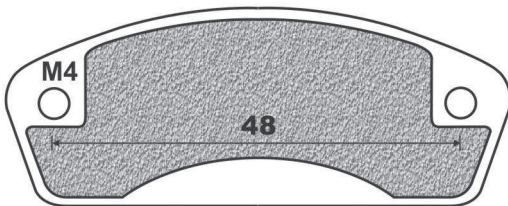


ALL KART	Year	A/P
interasse fori 54 mm diametro M5 th 13		P

FD0181

K1

D1 (mm): 67,5x26,5x7 (lxhxsp.)



ALL KART	Year	A/P
interasse fori 48 mm diametro M4 th 7		A

FIGURATO PASTIGLIE CON APPLICAZIONI | BRAKE PADS DRAWINGS AND APPLICATIONS | DESSINS PLAQUETTES AVEC APPLICATIONS |
 DISEÑOS PASTILLAS CON RELACION | ZEICHNUNGEN VON BREMSBELÄGE MIT VERWENDUNGSLISTE

FD0182
K1

D1 (mm): 67,5x26,5x7 (lhxsp.)

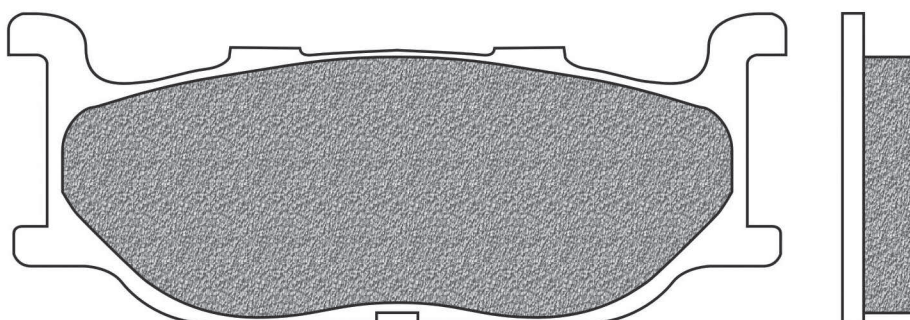

ALL KART

interasse fori 55 mm diametro M4 th 7

Year	A/P
	A

FD0183
BA | BE | BT | SE | TS

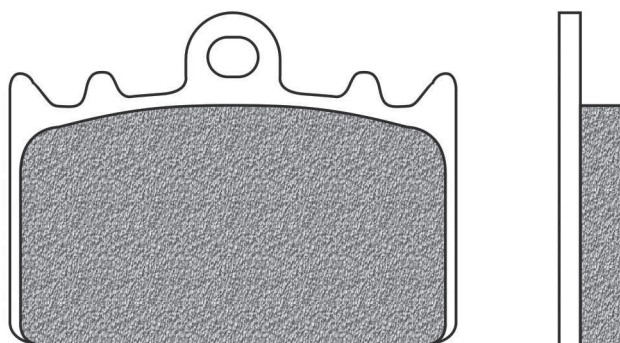
D1 (mm): 102,5x41x10 (lhxsp.)



YAMAHA	Year	A/P						
FZX 250 ZEAL	91->92	A	XJ 600 N	95->97	A	XV 950 BOLT R-SPEC	14->18	A
SRV 250 SOULFULTWIN RENAISSA	92->97	A	XJ S 600 DIVERSION	92->97	A	XV 950 R	19->20	A
TY 250 Z SCOTTISH	96->	A	XVS 650 A DRAG STAR CLASSIC	98->07	A	XVS 950 A MIDNIGHT STAR	09->12	A
MAJESTY 400 YP	04	A	XVS 650 DRAG STAR	97->04	A	XV 1100 VIRAGO	94->98	A
XVS 400	98->99	A	XV 750 VIRAGO	94->97	A	1300 STRYKER	11	A
T MAX 500 XP	01->03	A	XJ S 900 DIVERSION	95->03	A	XVS 1300 STRYKER	11->	A
XV 535 DX VIRAGO	01->03	A	SCR 950	17->19	A	XVZ 1300 TF ROYAL STAR VENTURE	00	A
XV 535 VIRAGO	95->01	A	XV 950 BOLT	14->18	A	XV 1600 ROAD STAR SILVERADO	99->02	A
			XV 950 BOLT C-SPEC	15->18	A	XV 1600 WILD STAR SILVERADO	99->04	A

FD0185
BT

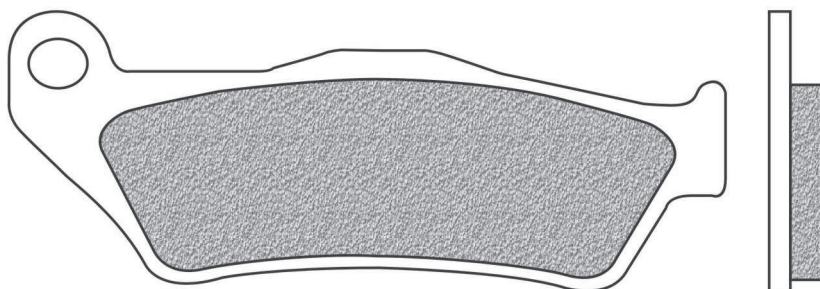
D1 (mm): 59x44x8 (lhxsp.)


KAWASAKI

Year	A/P	
ZX 400 L	92	A
ZXR 400 (ZX 400L) RR	92->02	A

FD0186
BA | BD | BE | BT | SD | SE | TS | X01

D1 (mm): 94,5x37x7,5 (lhxsp.)


ALFER

Year	A/P	
VRE 125 4 STROKE	00->	A
AR 250	93	A
VR 250	94	A
VR 250 ENDURO	95->	A
VR 250 MOTOCROSS	95->	A
VR 250 NO LIMITS	95->	A
VR 250 SUPERMOTARD	99->	A

APRILIA

Year	A/P	
MX 125	04->08	A

...segue

... FD0186

FIGURATO PASTIGLIE CON APPLICAZIONI | BRAKE PADS DRAWINGS AND APPLICATIONS | DESSINS PLAQUETTES AVEC APPLICATIONS |
DISEÑOS PASTILLAS CON RELACION | ZEICHNUNGEN VON BREMSBELÄGE MIT VERWENDUNGSLISTE

... segue APRILIA	Year	A/P
MX 125 SUPERMOTO	07->	A
RX 125	95->	A
RX 125 ENDURO	08->	A
RX 125 SUPERMOTARD	08->	A
PEGASO 650	96	A
SRV 850	12->19	A
RST 1000 FUTURA	01->03	P

BENELLI	Year	A/P
BX 449 CROSS	07	A
BX 505 ENDURO	08->	A

BIMOTA	Year	A/P
DBX 1100	13->	P

BMW	Year	A/P
G 450 X	08->11	A
HP2 1200 ENDURO	05->09	P
HP2 1200 SPORT	08->11	P
K 1200 GT	08->	P
R 1200 NINE-T	13->20	P
R 1200 NINE-T PURE	17->19	P
R 1200 NINE-T RACER	17->20	P
R 1200 NINE-T SCRAMBLER	15->20	P

BREMBO	Year	A/P
122A99021 - P2 24 Cross		A
22.5930.62 Floating Cross		A
XQ21361 - P2 28		A
XQ21390 - pf 26		A

CAGIVA	Year	A/P
ELEFANT 750	93->95	P

CCM	Year	A/P
DS 404	03->04	A
DS 404 SUPERMOTO	03->04	A
E 404	03->04	A
MX 450	08->	A
C 25 600	96->	A
RS 600	01->	A
SPORT 604 E	99->	A
SUPERMOTO 604 E	99->	A
DS 644	02->	A
R 30 644	02->	A

CF MOTO	Year	A/P
CL-X 700 ADVENTURE	20	P
CL-X 700 HERITAGE	20	P
CL-X 700 SPORT	20	P

DUCATI	Year	A/P
MONSTER 400	07->08	A
MONSTER 620	05->06	A
MONSTER 620 DARK	05->06	A
MULTISTRADA 620	06	A
MONSTER 695	07->08	A
MONSTER 800 S2R	05->07	A
MONSTER 800 S2R DARK	05->06	A
MULTISTRADA 950	17->20	P
MULTISTRADA 950 S - S TOURING	19->20	P
MULTISTRADA 950 SW - S SW	18->20	P
MULTISTRADA 950 TOURING	17->18	P
MONSTER 1200	14->20	P
MULTISTRADA 1200	15->17	P
MULTISTRADA 1200 ENDURO	16->18	P
MULTISTRADA 1200 ENDURO PRO	18	P
MULTISTRADA 1200 ENDURO TOURING	16->18	P
MULTISTRADA 1200 S PIKES PEAK	16->17	P
MULTISTRADA 1200 S TOURING	15->17	P
MULTISTRADA 1200 SPORT PACK	17->18	P
MULTISTRADA 1200 TOURING	15->17	P
MULTISTRADA 1262 S	18->20	P
MULTISTRADA 1262 S D-AIR	18->20	P
MULTISTRADA 1262 S GRAND TOUR	20	P

MULTISTRADA 1262 S PIKES PEAK	18->20	P
MULTISTRADA 1262 S TOURING	18->20	P
MULTISTRADA 1262 TOURING	18->20	P

FACTORY	Year	A/P
YR 250	99->	A

GAS GAS	Year	A/P
WILD 50 HP	04->	A / P
MC 80	95->02	A
CROSS 125	94->	A
EC 125 MC	97->99	A
ENDURCROSS 125	94->	A
MC 125	96->02	A
TT 125	95->	A
TT 125 ENDURCROSS	93->	A
EC 200 2T	99	A
WILD 240 HP	04->	A / P
CROSS 250	95->	A
EC 250 2T	97->99	A
EC 250 SYXDAYS	10	A
EC F 250 4T	10->15	A
ENDURCROSS 250	95->	A
MC 250	97->99	A
TT 250	95->	A
EC 300 2T	98->99	A
MC 300	96->09	A
WILD 300 HP	03->	A / P
WILD 450 HP	03->	A / P

GILERA	Year	A/P
NEXUS 500	03->05	A
NEXUS 500 EURO 3	06->11	A
NEXUS 500 SP EURO 3	06->07	A
GP 800	08->	A

HIGHLAND	Year	A/P
MX 450	06->	A
V2 950 MOTARD	00->	A
V2 950 OUTBACK	99->	A

HUSABERG	Year	A/P
TE 125	13	A
FE 250	13	A
TE 250	11->13	A
TE 300	11->13	A
FC 350	95->	A
FE 350	93->99	A
FE 390	10->13	A
FC 400	99->02	A
FE 400 S - E	98->03	A
FC 450	98->08	A
FE 450	09->13	A
FE 450 E	04->08	A
FX 450	03->08	A
FC 470 E	01->02	A
FX 470 E	01->02	A
FC 501	98->01	A
FE 501	13	A
FE 501 S - E	98->04	A
FC 550	01->05	A
FE 550 E	04->08	A
FE 570	09->13	A
FC 600 SUPERMOTARD	98->01	A
FE 600 S - E - R	98->02	A
FE 650 E	01->08	A
FX 650 E	01->05	A

HUSQVARNA	Year	A/P
125 ALL MODELS 1994-1995	94->95	A
CR 125	96->13	A
SM 125 SUPERMOTARD	98->13	A
SM S 125	09->13	A
SMS 125 4T	11->13	A
TC 125	14->20	A
TE 125	14->16	A

TE 125 4T	11->13	A
TX 125	17->20	A
WR 125	98->13	A
WRE 125	95->13	A
WRE 125 DUAL	95->03	A
CR 150	11	A
TE 150	17->18	A
WR 150	11	A
250 ALL MODELS 1994-1995	94->95	A
CR 250	96->13	A
FC 250	14->20	A
FE 250	13->20	A
TC 250	02->20	A
TE 250	02->17	A
TE 250 i	18->20	A
TXC 250	10->13	A
WR 250	98->13	A
TC 300	14->17	A
TE 300	14->17	A
TE 300 i	18->20	A
TX 300	19	A
TX 300 i	20	A
WR 300	99->13	A
TC 310	11->13	A
TE 310 4T	10->13	A
TXC 310	11->13	A
FC 350	14->20	A
FE 350	14->20	A
FX 350	17->20	A
TE 350	96->13	A
CR 360	95->98	A
WR 360	95->13	A
TC 400	02->	A
TE 400	01->13	A
TE 400 E DUAL - ENDURO	98->	A
TE 410	95->13	A
TC 449	11->13	A
TE 449	11->13	A
FC 450	14->20	A
FE 450	14->20	A
FR 450 RALLY	16->20	A
FX 450	19->20	A
TC 450	02->10	A
TE 450	02->10	A
FE 501	14->20	A
TC 510	02->10	A
TE 510	02->10	A
TE 511	11->13	A
NOX 570	98->03	P
TC 570	01->13	A
TE 570	01->13	A
TE 600	96->	A
TE 600 E DUAL - ENDURO	98->	A
TC 610	96->13	A
TE 610 E	98->13	A
TE 630	10->14	A
NORDEN 900 ABS	20->	P

ITALJET	Year	A/P
DRAGSTER 125	20	A

KRAM IT	Year	A/P
GS 250	97->	A
MX 250	97->	A
SM 250	97->	A

KTM	Year	A/P
EXC 125	92->15	A
EXC 125 SIX DAYS	01->16	A
EXC/EGS 125	94->97	A
EXE 125	00->11	A
LC2 125	98	A
SUPERMOTO 125	00->01	A
SX 125	96->20	A
SXS 125	01->10	A
SX 144	07->10	A



... FD0186

... segue KTM	Year	A/P
SX 150	08->20	A
XC 150	11->18	A
EGS 200	98->99	A
EXC 200	97->16	A
MXC 200	98->03	A
SX 200	03->07	A
XC-W 200	11->16	A
EGS 250	94->99	A
EXC 250	93->17	A
EXC 250 SIX DAYS (2T)	05->17	A
EXC 250 SIX DAYS TPI (2T)	18->20	A
EXC 250 TPI (2T)	18->20	A
EXC RACING 250 (4T)	00->06	A
EXC-F 250	06->20	A
EXC-F 250 SIX DAYS	07->20	A
MX 250	92->13	A
SX 250	94->20	A
SX-F 250	05->20	A
SXS 250	01->03	A
SXS-F 250	06->08	A
XC 250 (2T)	94->17	A
XC 250 TPI (2T)	18->19	A
XC-F 250	11->20	A
XC-W 250 (2T)	11->17	A
XC-W 250 TPI (2T)	18->19	A
XCF-W 250	12->17	A
EXC 300	94->16	A
EXC 300 EGS	93->99	A
EXC 300 SIX DAYS (2T)	05->17	A
EXC 300 SIX DAYS TPI (2T)	18->20	A
EXC 300 TPI (2T)	18->20	A
XC 300 (2T)	11->19	A
XC 300 TPI (2T)	20	A
XC-W 300 (2T)	14->18	A
XC-W 300 SIX DAYS (2T)	18	A
XC-W 300 TPI (2T)	19->20	A
XC-W 300 TPI SIX DAYS (2T)	19->20	A
EXC-F 350	12->20	A
EXC-F 350 SIX DAYS	12->20	A
SX-F 350	11->20	A
XC-F 350	11->20	A
XCF-W 350	11->20	A
EXC 360	96->97	A
SX 360	96->97	A
EXC 380	98->02	A
MXC 380	98->02	A
SX 380	98->02	A
EXC 400	00->03	A
EXC RACING 400	00->07	A
EXC-G RACING 400	04->08	A
LC4 400	93->94	A
LC4 400 E	98->01	A
LC4 400 EGS	95->97	A
LC4 400 EXC - RXC	96->97	A
LC4 400 SC - SXC	98->00	A
MXC 400	00->02	A
SX 400	00->02	A
SX RACING 400	02	A
SXC 400	99->00	A
EXC RACING 450	03->07	A
EXC-F 450	17->20	A
EXC-F 450 SIX DAYS	17->20	A
EXC-R 450	08->16	A
EXC-R RACING 450 (USA)	11	A
MXC 450	04->06	A
RALLY 450	11	A
SX 450	03->06	A
SX-F 450	07->20	A
XC 450	06->07	A
XC-F 450	14->20	A
XC-W 450	08->16	A
XC-W 450 SIX DAYS (USA)	11	A
EXC 500 4T	12->16	A
EXC-F 500	17->20	A
EXC-F 500 SIX DAYS	17->20	A

EXC/MX 500	92->95	A
LC4 EXC/EGS 500	92	A
XC-W 500	12->16	A
XCF-W 500	20	A
SX-F 505	07->09	A
XC-F 505	07->09	A
EXC RACING 520	00->02	A
MXC 520	00->02	A
SX 520	00->02	A
EXC RACING 525	03->07	A
MXC 525	03->05	A
SX 525	03->07	A
XC 525	06->07	A
EXC-R 530	08->11	A
EXC-R RACING 530 (USA)	11	A
XC-W 530	08->11	A
XC-W 530 SIX DAYS	11	A
XC-W 530 SIX DAYS (USA)	11	A
LC4 540 SXC	98->00	A
SXS 540 RACING	02	A
LC4 600	90->93	A
LC4 620 ADVENTURE	97->98	A
LC4 620 RXC	96->97	A
LC4 620 SC	98->04	A
LC4 620 SC SM	00->	A
LC4 620 SX	95->99	A
LC4 625 SXC	03->07	A
LC4 640 ADVENTURE	98->03	A
LC4 E 640 HARD ENDURO	98->06	A
LC4-E 640 SUPERMOTO	99->02	A
LC4-E 660 RALLYE	01->	A
LC8 950 SM	05->08	P
LC8 950 SMR	07	P
LC8 950 SUPER ENDURO	06->08	P
LC8 950 SUPER ENDURO R	06->08	P
LC8 990 ADVENTURE	06->12	P
LC8 990 ADVENTURE DAKAR	09->12	P
LC8 990 ADVENTURE R	09->12	P
LC8 990 ADVENTURE S	06->08	P
LC8 990 SUPERMOTO	08->09	P
LC8 990 SUPERMOTO R	09->13	P
LC8 990 SUPERMOTO T	09->13	P
1050 ADVENTURE	15->16	P
1090 SUPER ADVENTURE	17->19	P
1090 SUPER ADVENTURE R	17->19	P
1190 ADVENTURE	13->16	P
1190 ADVENTURE R	13->16	P
1290 SUPER ADVENTURE	15->20	P
1290 SUPER ADVENTURE R	17->20	P
1290 SUPER ADVENTURE S	17->20	P
1290 SUPER ADVENTURE T	17->19	P

MAICO	Year	A/P
CROSS 250	98->	A
ENDURO 250	99->	A
MOTOCROSS 250	99->	A
CROSS 500	98->	A
ENDURO 500	99->	A
MOTOCROSS 500	99->	A
SUPERMOTARD 500	99->	A

MBK	Year	A/P
XQ 125 THUNDER	01->	A
YP 125 SKYLINER	98->00	A
XQ 150 THUNDER	01->	A
YP 150 SKYLINER	00->02	A
YP E 180 SKYLINER	03	A
KILIBRE 300	03->04	A
KILIBRE 300	03->06	P

MOTO GUZZI	Year	A/P
BREVA 850	06->07	P
GRISO 850	06->07	P
NORGE 850	07->08	P
GRISO 1100	05->08	P
QUOTA 1100 ES	99->01	P

BREVA 1200 V	08->09	P
GRISO 1200 8V	07->	P
NORGE 1200	06->07	P
NORGE 1200 ABS	06->07	P
NORGE 1200 GT 8V	10->13	P
SPORT 1200	06->08	P
SPORT 1200 8V	12->13	P
SPORT 1200 8V SE	12->15	P
SPORT 1200 ABS	06->07	P
STELVIO 1200	08->11	P
STELVIO 1200 8V SE	12->16	P
STELVIO 1200 NTX	09->11	P

MOTO MORINI	Year	A/P
GRAN PASSO 1200	08->	P
GRANFERRO 1200	10->	P
GT 1200	10->	P
SCRAMBLER 1200	09->	P

PIAGGIO	Year	A/P
BEVERLY 400 EURO 3	06->08	A
X9 500 EVOLUTION	03->04	A
X9 500 EVOLUTION ABS	06->07	A

PRAGA	Year	A/P
ED 250	99->	A
CD 610	99->	A

RIEJU	Year	A/P
MRX 450	08->	A

ROYAL ENFIELD	Year	A/P
HIMALAYAN 411	19->20	A
BULLET 500	20	A
BULLET 500 TRIALS	20	A
CLASSIC 500	19	A

SHERCO	Year	A/P
SE-R 125	17->19	A
SE 250 2.5 IF	09->11	A
SE 250 ENDURO 2.5 I	06->11	A
SE 250 F	14->19	A
SE 250 F - F-R	14->19	A
SE 250 I - F	13	A
SE 250 I / IR	12->13	A
SE 250 R	14	A
SCF-R 300	16->19	A
SE 300 3.0 IF	10->11	A
SE 300 F - F-R	14->19	A
SE 300 I - F	13	A
SE 300 I / IR	12->13	A
SE 300 R	14->19	A
ENDURO 450 4.5 I	04->11	A
SE 450 F - F-R	14->19	A
SE 450 IR	12->13	A
SE 510 5.1 IR	12->13	A
SE 510 ENDURO 5.1 I	06->11	A

SUZUKI	Year	A/P
BURGMAN 125 UH	02->06	A
BURGMAN 150 UH	02->06	A

SWM	Year	A/P
RS 300 R	15->20	A
RS 500 R	15->20	A

TM	Year	A/P
all models 80 (solo fascia frenante)	94->03	A
all models 85 (solo fascia frenante)	98->03	A
EN 125	94->20	A
MX 125	94->20	A
EN 144	14->20	A
MX 144	15->20	A
EN 250	95->20	A
EN 250 F	95->20	A
MX 250	05->20	A

... FD0186

... segue TM	Year	A/P
MX 250 F	05->20	A
all models 300	98->04	A
MX 300	14->20	A
all models 320	96->97	A
400 F	00	A
all models 400 4T	01->	A
MX 450 F	14->20	A
EN 530 F	03->20	A
FT 530 FI	17->19	A
MX 530 F 4T	03->20	A

TRIUMPH	Year	A/P
TIGER XCA 800	18	A
TIGER XCX 800	18->20	A
TIGER XRT 800	18	A
TIGER XRX 800	18	A
TIGER XRX 800 LOW	18->20	A
BONNEVILLE 1200 BOBBER BLACK	18->19	A
SPEEDMASTER 1200	18->20	A

VERTEMATI	Year	A/P
C 450 CROSS	03->	A
E 450 ENDURO	02->	A
C 500 CROSS	->02	A
E 501 ENDURO	03->	A
C 570 CROSS	03->	A
E 570 ENDURO	03->	A

VOR	Year	A/P
all models 400	00->	A
EN 400	02->	A
all models 450	00->	A
all models 492	99->	A
all models 495	99->	A
all models 503	00->	A
all models 530	02->	A
EN 530	02->	A
MX 530	02->	A

YAMAHA	Year	A/P
MAJESTY 125 YP	98->00	A
MAJESTY 125 YP E	01->09	A

MAXSTER 125 XQ	01->05	A
YBA 125 ENTICER	05->06	A
YZF-R 125	08->13	A
MAJESTY 150 YP	->02	A
MAXSTER 150 XQ	01->02	A
MAJESTY 180 YP E	->06	A
FZ25 250	19	A
VERSITY 300 XC	03->04	A
VERSITY 300 XC	03->06	P
TT 600 K	93->96	A
TT 600 K (4GW)	95->96	A
TT E 600	93->01	A
TT R 600	97->02	A
TT R 600 E	04->07	A
XT Z 660 TENERE	08->15	A
XTZ 690 TENERE 700	19->20	A

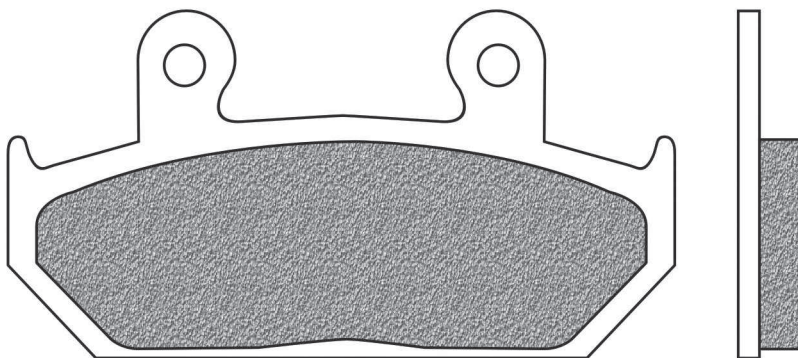
ZERO	Year	A/P
FX 1 ZF 2.7	15->	A
FX 1 ZF 2.8	15->	A

FIGURATO PASTIGLIE CON APPLICAZIONI | BRAKE PADS DRAWINGS AND APPLICATIONS | DESSINS PLAQUETTES AVEC APPLICATIONS |
 DISEÑOS PASTILLAS CON RELACION | ZEICHNUNGEN VON BREMSBELÄGE MIT VERWENDUNGSLISTE

FD0188

BT

D1 (mm): 88,5x46x8,3 (lxhxsp.)

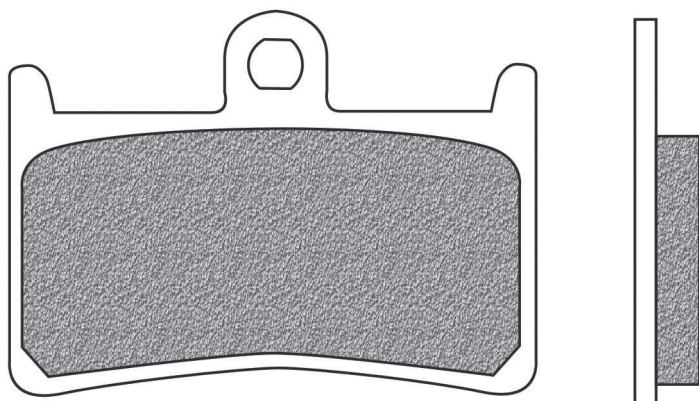


HONDA	Year	A/P
RS 125 R	88->90	A
CB 250	88->91	A
VTZ 250	86->88	A
TRANSALP 400	92->	A
VFR 700 F/F2 INTERCEPTOR	86->87	A

FD0190

BA | BE | B4R | BT | R01 | SE | SP | TS

D1 (mm): 69,5x51x8,5 (lxhxsp.)



YAMAHA	Year	A/P
TZR 125	93->95	A
FZR 250 R	89->	A
TZR 250 (REVERSE CYLINDER)	89->90	A
TZR 250 R - RS - SP	89->95	A
FZR 400 RR	91->92	A
FZR 400 SP	91->	A
T MAX 500 XP	08->11	A
T MAX 500 XP ABS	08->11	A
T MAX SV 500 XP	11	A
T MAX SV 500 XP ABS	10->11	A
T MAX 530 XP	12->17	A
T MAX 530 XP ABS	15->16	A
T MAX DX 530 XP	17->19	A
T MAX SP 530 XP	15	A
T MAX SP 530 XP ABS	15->16	A
T MAX SX 530 XP	17->19	A
FZ6 S2 600	07->09	A

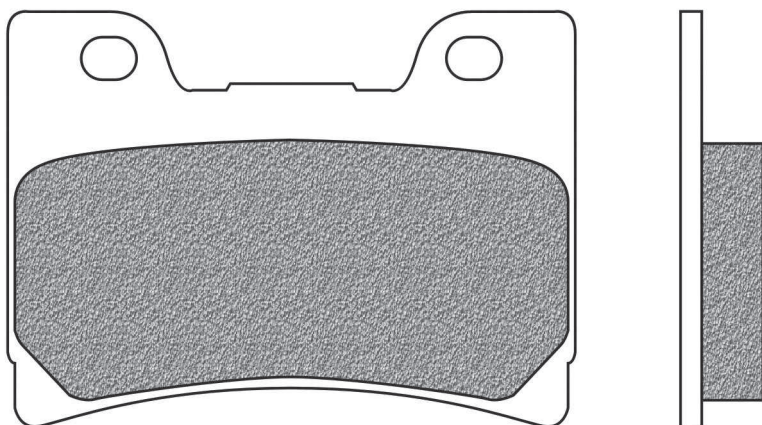


... FD0190

... segue YAMAHA	Year	A/P						
FZ6 S2 600 FAZER	07->09	A	FZ8 SA 800 FAZER	11->15	A	YZ-F 1000 R1	98->20	A
FZ6 S2 600 FAZER ABS	08	A	MXT 850 NIKEN	18	A	YZ-F 1000 R1M	15->20	A
FZS 600 FAZER	98->99	A	MXT 850 NIKEN GT	19->20	A	YZ-F 1000 R1S	16	A
FZS 600 SP FAZER	00->03	A	MT-09 900 (MTN 850)	17->20	A	BT 1100 BULLDOG	02->06	A
YZ-F 600 R THUNDER CAT	96->04	A	MT-09 900 SP (MTN850)	18	A	XT 1200 Z SUPER TENERE	10->20	A
YZ-F 600 R6	99->20	A	MT-09 900 STREET RALLY (850cc)	14->16	A	XT 1200 ZE SUPER TENERE	14->19	A
MTM 690 U XSR 700	18->20	A	MT-09 900 TRACER (850cc)	17->18	A	FJR 1300 ABS	03->05	A
MTM 690 XSR 700	18->20	A	MT-09 900 TRACER (MTT850)	19->20	A	XJR 1300	99->11	A
MTT 690 A TRACER (700)	16->19	A	MT-09 900 TRACER GT (MTT850)	18	A	XJR 1300 RACER	15->19	A
MT-07 700	14->20	A	TDM 900	02->12	A	XJR 1300 SP	01	A
MT-07 700 MOTO CAGE	14->18	A	TDM 900 ABS	05->10	A	MT-01 1670	05->06	A
MT-07 700 SP	18	A	XSR 900 (850)	16->20	A	XV 1670 ROYALS STAR WARRIOR	02->07	A
XSR 700	16->20	A	FZ1 1000	06->12	A	XV 1700 PC ROAD STAR WARRIOR	03->05	A
YZ-F 750 R7 (OW02) road version	99->00	A	FZ1 1000 FAZER	06->12	A	XV 1700 ROAD STAR WARRIOR	02	A
FZ8 N 800	11->15	A	FZS 1000 FAZER	01->05	A	XV 1700 WARRIOR	03->04	A
FZ8 NA 800	11->15	A	MT-10 1000	16->20	A	XV 1900 A MIDNIGHT STAR	06->12	A
FZ8 S 800 FAZER	11->15	A	MT-10 1000 SP	17->19	A			
			YZ-F 1000 R THUNDER ACE	96->01	A			

FD0191
BT

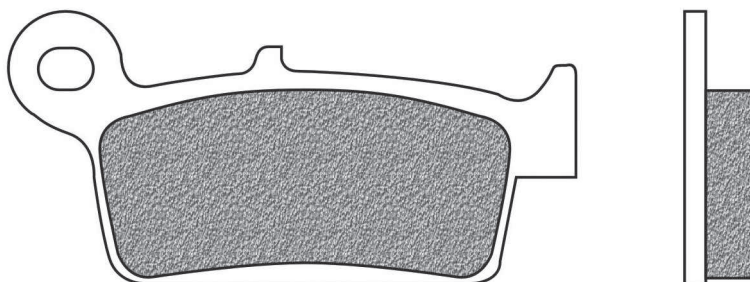
D1 (mm): 75x55x10,5 (lhxsp.)



YAMAHA	Year	A/P
SRX 400	90->96	A
FZR 600	90->95	A
TDM 850	96->01	A
FZR 1000 R - EX-UP	89->90	A
V-MAX 1200 (YMX 12N)	93->03	A

FD0192
BA | BT

D1 (mm): 75x36x9,3 (lhxsp.)



DAELIM	Year	A/P
BESBI 50	07->	A
HERCULES	Year	A/P
SAMBA SR 80	93->	A
SAMBA SR 125	93->	A
HONDA	Year	A/P
NH 50 LEAD	94->	A
SRX 50 SHADOW	98->	A
SRX 90 SHADOW	99->	A
VT 90 SHADOW	98->	A
YUPI 90	92->	A
JINCHENG	Year	A/P
JC 125 2B	97->	A

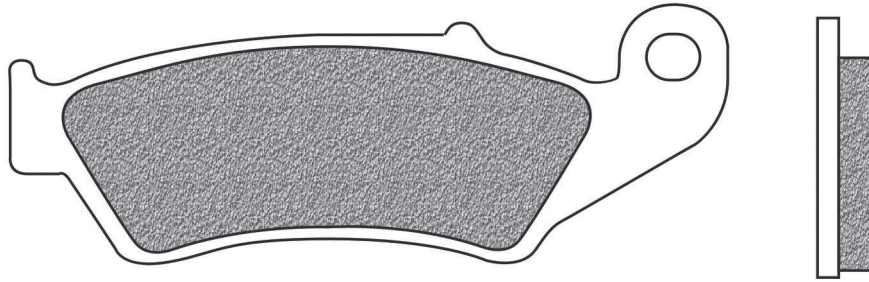
KYMCO	Year	A/P
COBRA 50 CROSS	01->06	A
COBRA 50 EXCLUSIVE	01->04	A
COBRA 50 RACER	01->06	A
CX 50 CURIO SUPER	94->97	A
FILLY 50 LX	01	A
HEROISM 50	95->96	A
K 12 50	95->00	A
KB 50	94->00	A
SNIPER 50 DD	94->96	A
TB 50	00->	A
TOP BOY 50 ON / OFF ROAD	96->05	A
YUP 50	01	A

ZK 50 SUPERFEVER	99->	A
ZX 50 FEVER	95->01	A
KB 100	99->00	A
TOP BOY 100 ON / OFF ROAD	99->00	A
FREEWAY 150	95->96	A
MOTOR UNION	Year	A/P
JC 125 2B DEER	98->	A
PEUGEOT	Year	A/P
SV 50 GEO (all models)	93->	A
SV 125 C EXECUTIVE	96->	A
SV 125 EXECUTIVE	94->	A
SV 125 GEO	93->	A

FD0193

BD | BT | SD | TS | X01

D1 (mm): 94,5x34x7,4 (lxhxsp.)



FIGURATO PASTIGLIE CON APPLICAZIONI | BRAKE PADS DRAWINGS AND APPLICATIONS | DESSINS PLAQUETTES AVEC APPLICATIONS |
DISEÑOS PASTILLAS CON RELACION | ZEICHNUNGEN VON BREMSBELÄGE MIT VERWENDUNGSLISTE

AJP	Year	A/P
PR5 250 ENDURO	09->	A
PR5 250 SUPERMOTARD	09->	A

APRILIA	Year	A/P
MXV 450 4.5	09->	A
RXV 450 4.5	05->	A
RXV 550 5.5	05->	A

BETA	Year	A/P
RR 125 2T	18->	A
RR 250	05->13	A
RR 250 2T ENDURO	14->17	A
CROSSTRAINER 300	15->	A
RR 300 2T ENDURO	13->17	A
RR 350 4T ENDURO	11->17	A
RR 350 4T FACTORY	11->12	A
RR 390 4T ENDURO	15->17	A
RR 400	05->10	A
RR 400 4T ENDURO	11->14	A
RR 400 4T FACTORY	10->11	A
RR 430 4T ENDURO	15->17	A
RR 450	05->09	A
RR 450 4T ENDURO	11->15	A
RR 450 4T FACTORY	10->12	A
RR 450 CROSS	13->14	A
RR 450 CROSS COUNTRY	12	A
RR 480 4T ENDURO	15->17	A
RR 498 4T ENDURO	12->14	A
RR 498 4T FACTORY	12	A
RR 520 4T ENDURO	10	A
RR 520 4T FACTORY	10->11	A
RR 525	05->09	A

BIMOTA	Year	A/P
BBX 300 ENDURO	12->	A
BBX 508 ENDURO	12->	A

BRAKING	Year	A/P
Cross front		A

CANNONDALE	Year	A/P
MX 400	00->	A
C 440 R	03->	A
E 440 R/A	03->	A
X 440	03->	A

CPI	Year	A/P
SAHEL 125	02->	A

FANTIC	Year	A/P
MX 50 REGOLARITA COMPETIZIONE	08->	A
REGOLARITA 50 COMPETIZIONE	08->	A
MX 65 REGOLARITA COMPETIZIONE	08->	A
REGOLARITA 80 COMPETIZIONE	08->	A
MX 85 REGOLARITA COMPETIZIONE	08->	A
CABALLERO 125 ENDURO 2T	12->	A
CABALLERO 125 MOTARD 2T	10->	A

GAS GAS	Year	A/P
EC 125 2T RACING	13->15	A
EC 125 MC	00->07	A
EC 125 MX	02->07	A
EC 125 SYXDAYS	10	A
MC 125	03->	A
EC 200 2T	00->10	A
EC 200 2T R	18->19	A
EC 200 2T RACING	13->17	A
EC 200 MX	02->10	A
EC 200 SYXDAYS	10	A
EC 250 2T	00->17	A
EC 250 2T R	18->19	A
EC 250 2T RACING	13->17	A
EC 250 MX	01->07	A
MC 250	00->09	A
EC 300 2T	00->17	A
EC 300 2T R	18->19	A
EC 300 2T RACING	13->17	A
EC 300 MC	02->10	A
EC 300 SYXDAYS	10	A
EC F 300 4T	13->15	A
EC 400 FSE	03->04	A
PAMPERA 400	06->07	A
EC 450 FSE	05->09	A
EC 450 FSR	05->09	A
EC F 450 4T	13->15	A
PAMPERA 450	07->08	A
EC 510 FSE/FSR	05->08	A
SM 515 FSR	07->08	A

HONDA	Year	A/P
CR 125 R	95->07	A
CR 125 SUPERMOTARD	00->	A
CRE 125	02->07	A
CRF 125 F	14->20	A
XLR 125	93->	A
XLR 125 R	98->01	A
XR 125 L	03->08	A
CRF 150 F	03->17	A
NX 150 (Brasil)		A
CTX 200 A BUSHLANDER	04->05	A
NX 200 (Brasil)		A
XLR 200 R	93->	A
XR 200 (Brasil)		A
CRF 230	04->09	A
CRF 230 EASY (rear disc)	08->	A
CRF 230 L	08->10	A
CRF 230 M	09->15	A
SL 230	97->01	A
CR 250 R	95->10	A
CR 250 SUPERMOTARD	98->01	A
CRE 250	02->07	A
CRE 250 IE	07->08	A
CRF 250 R - E	04->20	A
CRF 250 X	04->17	A
CRM 250 ACTIVE RADIAL	97->98	A
CRM 250 R	91->96	A
NX 250 DOMINATOR	91->93	A
XL 250 DEGREE	91->	A

XLR 250 R	91->	A
XLR 250 R BAJA	91->	A
XR 250	00->03	A
XR 250 BAJA	00->03	A
XR 250 L	91->	A
XR 250 MOTARD	03->05	A
XR 250 R	96->04	A
CRE 290 IE	07->08	A
CRF 300 X	08->12	A
XR 300	10->	A
NX 350 SAHARA (Brasil)		A
TRX 400 R	04->	A
XR 400 R	96->05	A
XR 400 SUPERMOTARD	05->08	A
XR 440 R (DALLARA)	99->	A
CRF 450 R - E	02->20	A
CRF 450 RX	17->19	A
CRF 450 X	05->20	A
TRX 450 R - ER	04->09	A
CRE 490 X IE	09->	A
CRF 490 R IE	09->	A
CR 500 R	95->01	A
XL 600 V TRANSALP	97->99	A
XR 600 L - R	93->00	A
XL 650 V TRANSALP	00->07	A
XR 650 L	96->12	A
XR 650 R	00->07	A
TRX 700 XX	08->12	A
XL 700 V TRANSALP	08->11	A
XRV 750 R AFRICA TWIN	94->03	A

KAWASAKI	Year	A/P
KX 125	94->08	A
KDX 200	95->99	A
KDX 220	95->99	A
KDX 250 K2-K4	95->	A
KLX 250	93->07	A
KLX 250 S	06->08	A
KLX 250 TRACKER	98->03	A
KX 250	94->08	A
KX 250 (KX252)	20	A
KX F 250	04->20	A
KLX 300	97->06	A
KLX 400 R	03->04	A
KLX 400 SR	03->04	A
KLX 450 R	08->20	A
KX F 450	06->20	A
KX 500	94->04	A
KLX 600 R	93->97	A
KLX 650 R	93->97	A

SUZUKI	Year	A/P
DR 125 SM	08->12	A
RM 125	96->12	A
DR 250 R	95->00	A
DR 250 R DJEBEL	96->98	A
DR Z 250	01->07	A
LX 250 L (SBK2)		A
RM 250	96->08	A
RMX 250	94->99	A



... FD0193

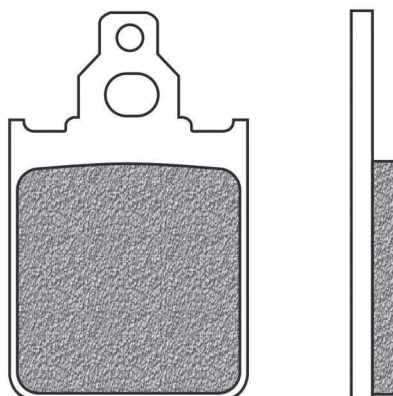
... segue SUZUKI	Year	A/P
RMZ 250	04->19	A
DR 350	98->99	A
DR Z 400 E	00->09	A
DR Z 400 S	00->08	A
DR Z 400 SM	05->09	A
RMX 450	10->17	A
RMZ 450	05->20	A
DR 650 SE	96->19	A

YAMAHA	Year	A/P
WR 125	98->12	A
YZ 125	98->07	A
WR 250	98->00	A
WR F 250	01->16	A
WR R 250	08->15	A
YZ 250	98->07	A
YZ-F 250	01->06	A
WR F 400	99->02	A
YZ-F 400	98	A
WR F 426	00->02	A
YZ-F 426	00->02	A
WR F 450	03->15	A
YZ-F 450	03->19	A

ZERO	Year	A/P
DS 1 ZF 11.4	13	A
DS 1 ZF 8.5	13	A
FX 1 ZF 2.7	13	A
FX 1 ZF 2.8	13	A
MX 1 ZF 2.8	13	A
MX 1 ZX 5.7	13	A
S 1 ZF 11.4	13	A
S 1 ZF 8.5	13	A
SR 1 ZF 11.4	14	A
XU 1 ZF 2.8	13	A
XU 1 ZF 5.7	13	A

FD0194
BA | BE

D1 (mm): 31,5x51x5,5 (lhxsp.)



CAGIVA	Year	A/P
PRIMA 50	92->	P
CITY 80	93->	P
PRIMA 80	92->	P

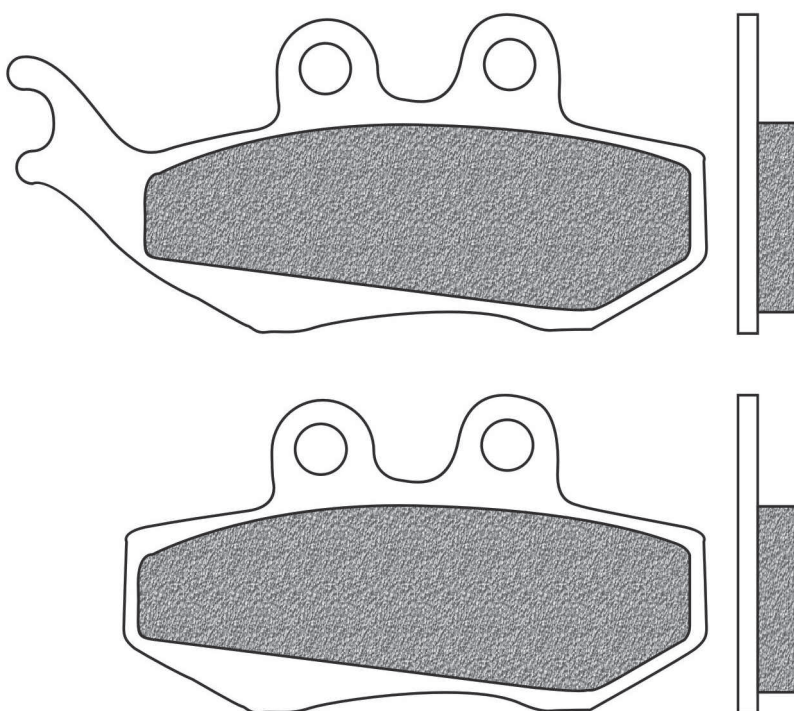
ITALJET	Year	A/P
FORMULA 50	94->96	A
FORMULA 80	94->	A
FORMULA 125	94->96	A

PIAGGIO	Year	A/P
QUARTZ 50	92->	A
SKIPPER 125	93->99	A
SKIPPER 150	93->99	A

FD0195
BA | BE | BT | SE

D1 (mm): 92,5x42x7,5 (lhxsp.)

D2 (mm): 77x42x7,5 (lhxsp.)



APRILIA	Year	A/P
CLASSIC 50	92->01	A
MX 50	03->05	A
MX 50 MOTARD	95->03	A
RS 50 REPLICA	00->05	A
RX 50	92->95	A
RX 50 RACING	03->06	A
ETX 125	98->	A
PEGASO 125	92->99	A
RX 125	92->94	A

BENELLI	Year	A/P
VELVET 250	99->	A
VELVET 250 TOURING	01->	A
VELVET 400 DUSK	03->	A

CPI	Year	A/P
GTR 50	02	A
GTS 50	02->03	A
GTR 125	02	A
GTS 125	02->03	A
GTR 200	02	A
GTS 200	02->03	A

DERBI	Year	A/P
BLACK DEVIL 50	04->	A
DRD RACING 50 R	05->	A
DRD RACING 50 SM	05->	A

...segue

... FD0195

... segue DERBI	Year	A/P
SENDA 50 SM DRD BLACK EDITION	03->	A
SENDA 125 R 4T	04->	A
SENDA 125 X-TREME SM 4T	04->	A

FACTORY	Year	A/P
RP 50 DESERT	04->	A
SM 50 CHRONO	04->	A
SP 50 CHRONO	04->	A
YR 50 DESERT	04->	A

GAS GAS	Year	A/P
EC 50 ROOKIE	05->	A
PAMPERA 125	04->	A
PAMPERA 250	00->01	A
PAMPERA 280	04->	A

GILERA	Year	A/P
DNA 50	00->04	A
DNA 125	01	A
RUNNER 125	97->99	A
RUNNER 125 FX - FXR	97->02	A
RUNNER 125 SP	99->	A
RUNNER 125 VX / VXR 4T	01->04	A
MAD MUD 175	02->	A
DNA 180	01->	A
RUNNER 180	97->98	A

RUNNER 180 FXR	98->	A
RUNNER 180 SP	99->	A
RUNNER 200 FX SP	98->01	A
RUNNER 200 VX / VXR 4T	02->04	A

HM	Year	A/P
CRE 50 (da telaio nr.2819)		A
CRE 50 all models	03->04	A
CRE 50 BAJA - DERAPAGE	01->02	A
CRE 50 SIX	95->02	A

MALAGUTI	Year	A/P
CRW 50 MOTARD	03->	A
NKD 50	04->	A
XSM 50	03->	A

MBK	Year	A/P
X-POWER 50	03->	A

PEUGEOT	Year	A/P
ELYSEO 150	01->	A

PIAGGIO	Year	A/P
BEVERLY 125 (pinza Grimeca)	01->	A / P
HEXAGON 125 LX	98->	A
HEXAGON 125 LX4	98->99	A
SKIPPER 125 4T	98->	A

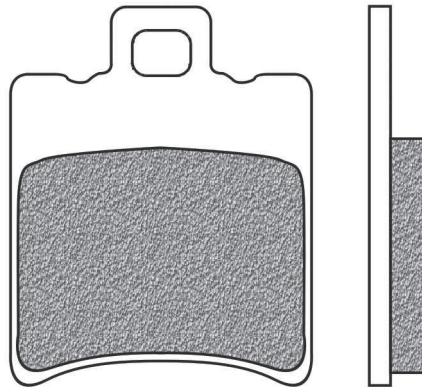
SUPER HEXAGON 125 GTX	->00	A
VESPA 125 GRANTURISMO L (pinza Grimeca)	03->05	A
HEXAGON 150 LX	98->	A
SKIPPER 150 4T	00->02	A
HEXAGON 180 GTX 4T	98->00	A
HEXAGON 180 LX	98->	A
SUPER EXAGON 180 GTX	->00	A
BEVERLY 200 (pinza Grimeca)	01->06	A / P
VESPA 200 GRANTURISMO (pinza Grimeca)	06->	A
VESPA 200 GRANTURISMO L (pinza Grimeca)	03->05	A
HEXAGON 250	98->	A
SUPER HEXAGON 250 GTX	00->	A
VESPA 250 GTS (pinza Grimeca)	05->	A

RIEJU	Year	A/P
RS1 50 CASTROL	01->	A

YAMAHA	Year	A/P
DT 50 RSM SUPERMOTARD	03->05	A
DT 50 X SUPERMOTARD	04->11	A
TZR 50	03->12	A
TZR 50 RR	05	A
XT 125 X SUPERMOTARD	05->11	A
XT 125 X SUPERMOTARD (13D2)	07	A

FD0196

D1 (mm): 40x50x7 (lxhxsp.)



APRILIA	Year	A/P
AMICO 50 all models	92->96	A
AREA 51 50	98->	A / P
COMPAY 50	09->13	A
GULLIVER 50	95->98	A
HABANA 50	98->	A
MOJTO 50	99->04	A
RALLY 50	95	A
RALLY 50 liquid cooled	96->	A / P
SCARABEO 50	94->05	A
SCARABEO 50	98->05	P
SCARABEO 50 4T	02->06	A / P
SCARABEO 50 4T RESTYLING	06->07	A / P
SCARABEO 50 DITECH	01->04	A
SCARABEO 50 STREET	02->06	A / P
SCARABEO 50 STREET RESTYLING	06->07	A / P
SONIC 50 GP	97->	A
SONIC 50 SPICE	97->	A
SR 50 H20 DITECH E (carburatore)	00->02	A
SR 50 H20 DITECH EURO 2	02->03	A
SR 50 NETSCAPER	98->	A / P
SR 50 RACING	97->99	A / P
SR 50 STEALTH	97->99	A / P
SR 50 STREET	05->	A

SR 50 WWW	97->01	A / P
SCARABEO 70	94	A
LEONARDO 125	95->98	P
LEONARDO 150	97->98	P
RS 250	97->03	P
RS 250 PISTA	04->	P

ATALA	Year	A/P
AT10 50	97->	A
BYTE 50	96->	A
CAROSSELLO 50	97->	A
HACKER 50	->95	A
SCEGGIA 50	98->	A
HACKER 125	98->	A

BENELLI	Year	A/P
491 50 all models	97->	A
CHRONO 50	94->	A
K2 50 all models	98->	A / P
NAKED 50	98	A
PEPE 50	99->04	A
100 NAKED	02->	A
K2 100	99->	A
NAKED 100	99->02	A

PEPE 100 LX	02->	A
666 125	98->	P
ADIVA 125	00->02	A
VELVET 125	99->04	A / P
VELVET 125 TOURING	02->03	A / P
ADIVA 150	00->02	A
VELVET 150	99->04	A / P
VELVET 150 TOURING	02->03	A / P

BETA	Year	A/P
ARK 50	->95	A
ARK 50 all models	96->	A / P
CH 50	96->	A
CHRONO 50 ruota da 13	94->	A
CRONO 50 502	97->	A
EIKON 50	04->	A
QUADRA 50	95->96	A
TEMPO 50	99	A
TEMPO 50 13	00	A
TEMPO 50 16	00	A
EIKON 125	04->	A
EIKON 150	04->	A

DERBI	Year	A/P
VAMOS 50 R	95	A

GARELLI	Year	A/P
FLO 50	00->	A
PANTHER 125	02->	P
PANTHER 150	02->	P
PANTHER 250	02->	P

GENERIC	Year	A/P
TOXIC 50	07->	P
TRIGGER 50 SM	06->	P
TRIGGER 50 SM COMPETITION	08->	P
TRIGGER 50 X	06->	P
TRIGGER 50 X COMPETITION	08->	P

FIGURATO PASTIGLIE CON APPLICAZIONI | BRAKE PADS DRAWINGS AND APPLICATIONS | DESSINS PLAQUETTES AVEC APPLICATIONS | DISEÑOS PASTILLAS CON RELACION | ZEICHNUNGEN VON BREMSBELÄGE MIT VERWENDUNGSLISTE



... FD0196

GILERA	Year	A/P
EASY MOVING 50	95->	A
ICE 50	02->	A
RUNNER 50	96->	A
RUNNER 50 SP	98->01	A
STALKER 50 (post freno a disco)	97->04	A
STALKER 50 (post freno a tamburo)	97->04	A
STORM 50	94->95	A
TYPHOON 50	93->95	A
TYPHOON 50 CATALYZED	02->	A / P
TYPHOON 80	93->	A
TYPHOON 125	95->98	A
TYPHOON 125 X - XR	99->00	A
MAD MUD 175	02->	P
DNA 180	01->	P

HERCULES	Year	A/P
GIpsy 50	93->	A

HONDA	Year	A/P
SFX 50	95->	A
SH 50 FIFTY	96->	A
SKY 50	97->	A
SKY 50 VETRO	00->	A
SXR 50	97->	A
X8R S 50 SZX	98->	A
X8R X 50 SZX	98->	A
SH 100	97->	A

HYOSUNG	Year	A/P
BOOMER 125	03->	A
EXCEED 125	02->	A
GRAND PRIX 125	98->	A
HYPER 125	99->	A
EXCEED 150	02->	A
GRAND PRIX 150	98->	A

ITALJET	Year	A/P
FORMULA 50	94->96	P
FORMULA 80	94->	P
FORMULA 125	94->96	P

KEEWAY	Year	A/P
125 ARN	06->08	A
150 ARN	06->08	A

MACAL	Year	A/P
FLASH 50	99->	A

MALAGUTI	Year	A/P
CIAK 50	99->00	A
CIAK 50 MASTER	04->05	A
CIAK 50 MASTER 4T	05->06	A
CIAK 50 MASTER EURO 2	06	A
CIAK 50 MONO EURO 2,3	03	A
CIAK 50 TD	00->01	A / P
CIAK 50 TWIN DISK	02->	A / P
CR1 50 CROSSER	97->98	A
F 10 50	94->98	A
F 10 50 AC	08	A
F 10 50 RESTYLING	01->06	A
F 12 50 PHANTOM LC	99->00	P
F 12 50 PHANTOM LC RESYLING	03->04	A / P
F 12 50 PHANTOM RESYLING	01->04	A / P
F 12 50 PHANTOM Twin disk	98	P
F 12 R 50 PHANTOM AC	07->08	A
F 12 R 50 PHANTOM LC	07->10	A / P
F 15 50 FIREFOX Twin disk	98->	P
YESTERDAY 50	98->	A
CIAK 100	99->01	A / P
PHANTOM MAX 100	99->	A / P

MBK	Year	A/P
CS 50 MACH G	02->	A
CW 50 BOOSTER	01->	A
CW 50 BOOSTER NG	99->	A
CW 50 L BOOSTER	01->	A
CW 50 RS BOOSTER NG	95->98	A
DODO 50	00->	A
EW 50 STUNT	00->02	A
FLIPPER 50	98->	A
ROCKET 50	96->	A

MOTRON	Year	A/P
SPIKE 50	98->	A
SYNCRO 50	98->	A
THUNDER 50	95->	A

PEUGEOT	Year	A/P
BUXY 50	94->	A
SPEEDAKE 50	95->	A
SPEEDFIGHT 50 (Pinza Brembo)	96->	A

PIAGGIO	Year	A/P
NRG 50	94->95	A
NRG 50 EXTREME	99->00	A
NRG 50 MC2	96->	A
NRG 50 MC2 DD	96->98	A
NRG 50 MC3	01->04	A
NRG 50 POWER DD	05->06	A
NRG 50 PUREJET	02->04	A
NTT 50	->95	A
ZIP 50 FAST RIDER	93->94	A
HEXAGON 125	94->97	A
HEXAGON 150	94->99	A

QUADRO	Year	A/P
D 350	11->15	A

RIZZATO	Year	A/P
ATALA HACKER 50	95->	A

SIAM	Year	A/P
FALCON 50	97->	A
SCROSS 50	97->	A

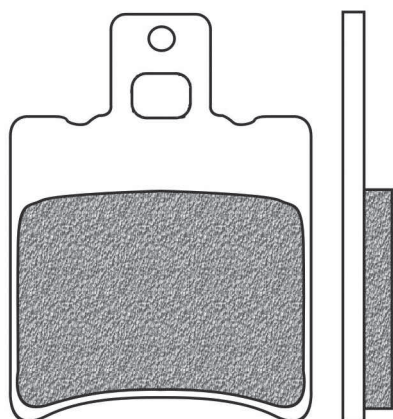
SUZUKI	Year	A/P
AY 50 KATANA	97->	A

TOMOS	Year	A/P
REVIVAL 50	02->	A
STREETMATE 50	03->	A

YAMAHA	Year	A/P
BREEZE 50 YM	94->96	A
BW 50 BUMP	97->	A
BW 50 NEXT GENERATION	96->	A
BW 50 SPORTS SPEC R	02->	A
BW 50 SPY	95->99	A
BW S 50	97->	A
BW S 50 R	95->96	A
EW 50 SLIDER	00->	A
WHY 50	97->	A
ZUMA 50	96->	A
TEO'S 125 XN	99->04	A
TEOS 150 XN	01->02	A

FD0197

D1 (mm): 40x54x6,4 (lxhxsp.)



AEON	Year	A/P
OZ 125	14->	A
URBAN 125	14->	A

APRILIA	Year	A/P
SR 50 all models	93->95	A

CPI	Year	A/P
PRINCE 125	01->	A

MBK	Year	A/P
CW 50 BOOSTER SPIRIT	96->99	A
CW 50 R BOOSTER ROAD	94->95	A
CW 50 RS BOOSTER NG	99->03	A
CW 50 RSP BOOSTER ROCKET	97->98	A
CW 50 RSX TRACK	96->98	A
MACH 50	02->	A
NITRO 50	97->	A
OVETTO 50	97->	A
YA 50 R FORTE	94->96	A
YE 50 EVOLIS	92->95	A
YM 50 FIZZ	94->95	A
YQ 50 NITRO	97->03	A
EVOLIS 80	94->	A

YN R 100 OVETTO	00->	A
YQ 100 NITRO	00->02	A
XN 125 DODO	00->01	A
XN 150 DODO	01->	A

PGO	Year	A/P
RODOSHOW 90	02->	A

SUZUKI	Year	A/P
AP 50	95->	A

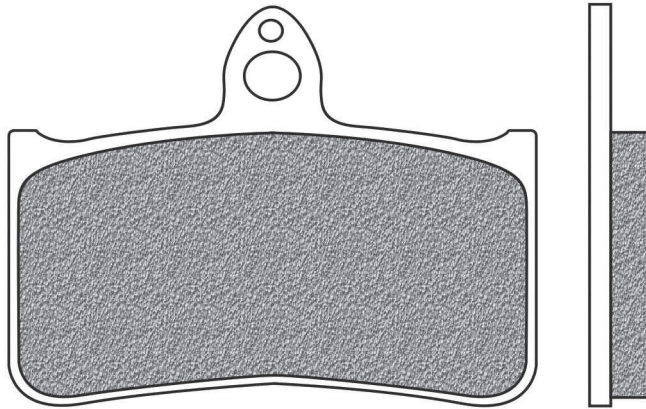
TOMOS	Year	A/P
MC 50 SENJOR PRO	04->	A / P

YAMAHA	Year	A/P
AEROX 50 NS	13->19	A
AEROX LC 50 YQ	97->12	A
JOG 50 R	02->	A
JOG 50 Z (Italia)	93->	A
NEOS 50 YN	97->16	A
ZEST 50 YE	92	A
AEROX 100 YQ	99->02	A
NEOS 100 YN	99->02	A

FD0198

B4R | BT | R01

D1 (mm): 70x52,5x8 (lxhxsp.)

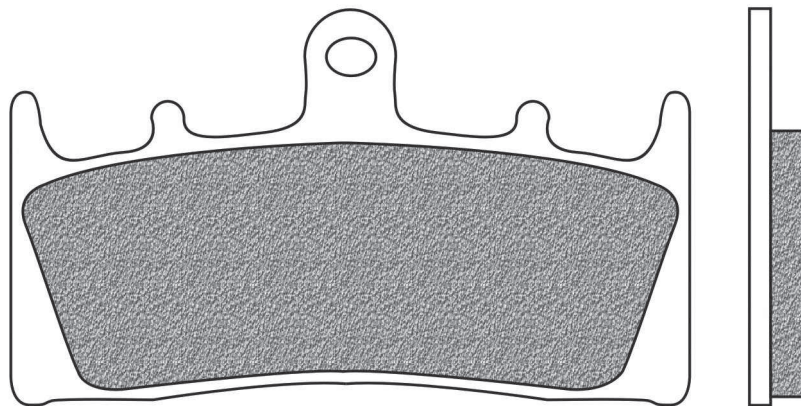


HONDA	Year	A/P
RS 125 R	95->	A
NSR 250 R SE-SP	94->	A
RS 250	93->94	A
RVF 400	94->96	A
VFR 400 R (NC 30)	89->92	A
RVF 750 RR (RC 45)	94->98	A

FD0199

B4R | BT | SP | TS

D1 (mm): 90x52,5x8 (lxhxsp.)



JAYBRAKE	Year	A/P
4 Piston A4 P/L		A
4 Piston J Four		A

KAWASAKI	Year	A/P
ZX-6R 600 NINJA	98->02	A
ZX-6R 636 NINJA	02	A
ZX-7R 750 NINJA	96->03	A
GPZ 900 R (ZX)	99->02	A
ZX-9 900 R NINJA	96->01	A
ZRX 1100 C1	97->00	A

ZRX 1200 R - S	01->08	A
ZX-12R 1200 NINJA	00->03	A
VN 1500 MEAN STREAK	02->04	A
VN 1600 MEAN STREAK	04	A

SUZUKI	Year	A/P
GSX-R 750 T SRAD	96->99	A
GSX-R 1000	01->02	A
TL 1000 R	98->03	A
GSX-R 1100	93->96	A
GS 1200 SS K1	01->	A

GSF 1200 BANDIT	01->05	A
GSF 1200 S BANDIT	01->05	A
GSX-R 1300 FALCON	99	A
GSX-R 1300 HAYABUSA	99->07	A
GSX 1400	01->07	A
VZ 1600 MARAUDER	04	A

FIGURATO PASTIGLIE CON APPLICAZIONI | BRAKE PADS DRAWINGS AND APPLICATIONS | DESSINS PLAQUETTES AVEC APPLICATIONS |
 DISEÑOS PASTILLAS CON RELACION | ZEICHNUNGEN VON BREMSBELÄGE MIT VERWENDUNGSLISTE

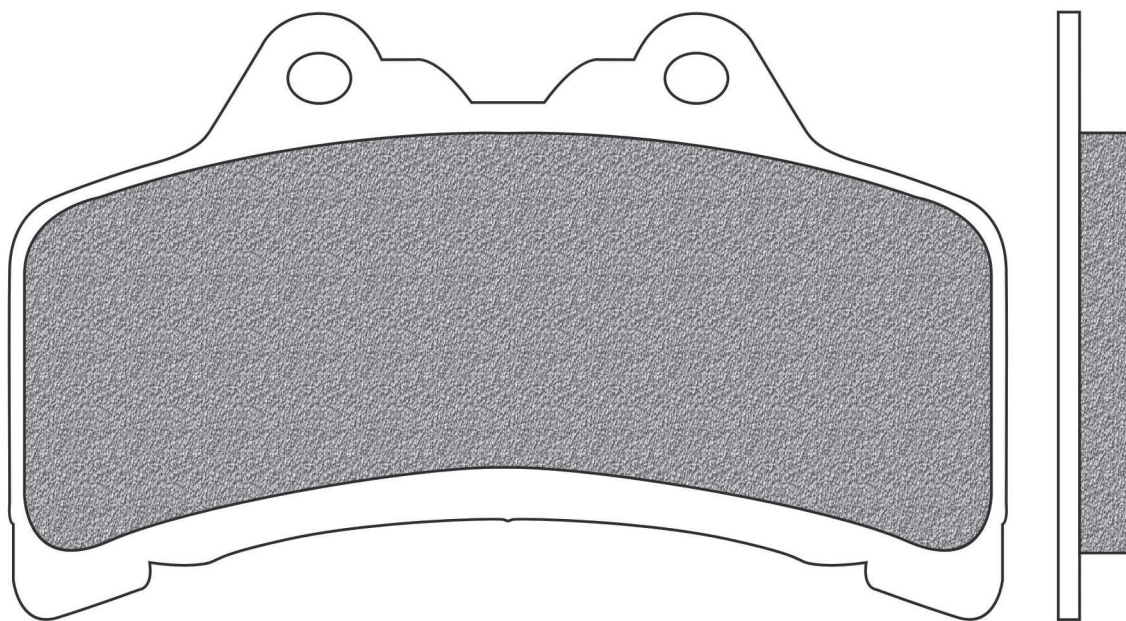




FD0200

BT

D1 (mm): 132x80x9,3 (lhxsp.)



YAMAHA

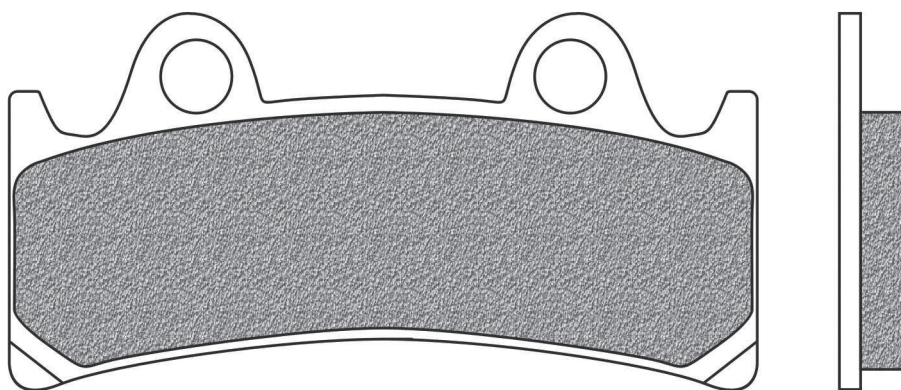
GTS 1000

Year	A/P
93->99	A

FD0201

BT

D1 (mm): 99x50x9,5 (lhxsp.)



PERFORMANCE MACHINE

125X60C

Year	A/P
	A

TRIUMPH

DAYTONA 900 900 SUPER 3 750

Year	A/P
94->96	A

YAMAHA

YZ-F 750 RR-SP

FZR 1000 R

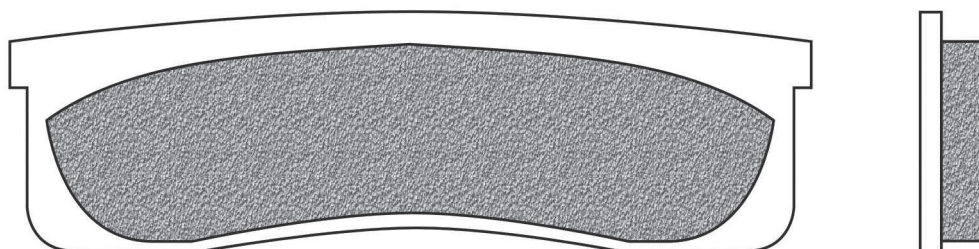
Year	A/P
93->98	A

Year	A/P
94->95	A

FD0202

BT

D1 (mm): 106x32x9 (lhxsp.)



AP RACING

CP 2382/2383

Year	A/P
	A

LOCKEED

Racing (106x32x9)

Year	A/P
	A

PFM

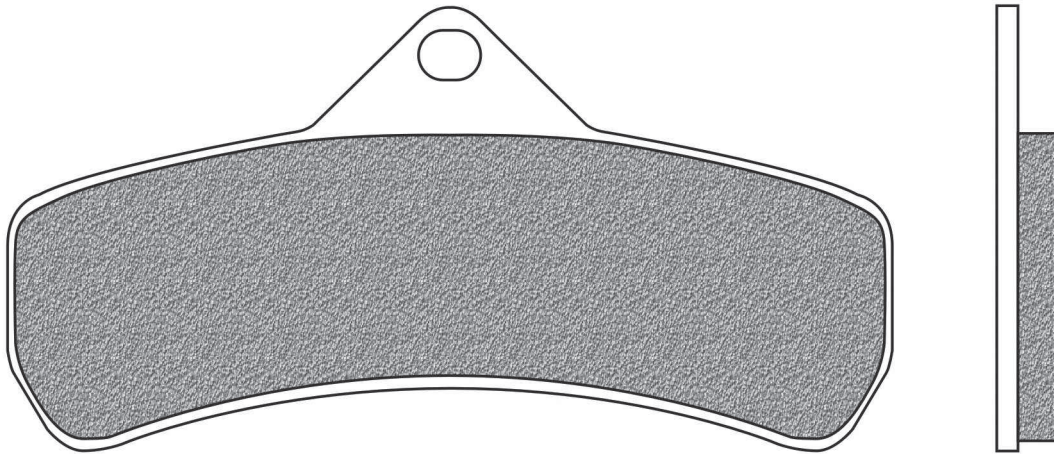
6 Piston Racing

Year	A/P
	A

FD0204

BT

D1 (mm): 117x59x8 (lxhxsp.)



SPIEGLER

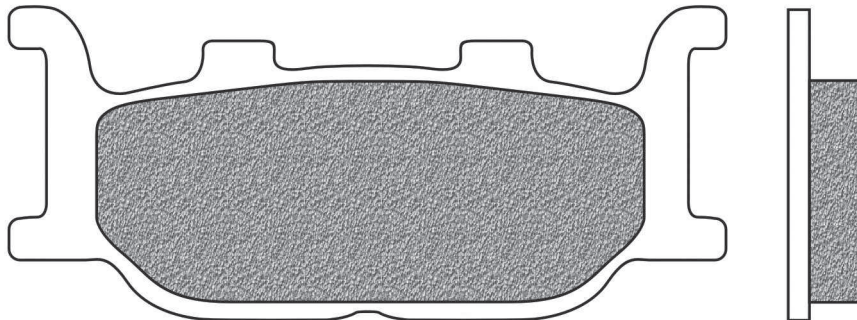
8 Piston Racing

Year A/P
A

FD0205

BA | BE | BT | SE | TS

D1 (mm): 94,5x41,5x10 (lxhxsp.)



ITALJET	Year	A/P
JUPITER 125	02->	A
JUPITER 150	02->	A
JUPITER 250	00->	A

JIANSHE	Year	A/P
JS 1253	02->	A

JINCHENG	Year	A/P
JC 150 T-D	06->	A

KEEWAY	Year	A/P
250 SUPERSHADOW	06->09	A

LONCIN	Year	A/P
LX 150 6	02->	A

MBK	Year	A/P
YP 250 SKYLINER	00->03	A
YP 400 SKYLINER	04->	A

MZ	Year	A/P
S 1000 (MUZ)	01->02	P

YAMAHA	Year	A/P
SR 125	97->03	A
TDR 125	93->03	A
XV 125 VIRAGO	97->01	A
XVS 125 DRAGSTAR	00->04	A
XVS 125 VIRAGO	97->00	A
TZR 150 R	00	A
MAJESTY 250 YP	96->03	A
MAJESTY 250 YP ABS	03->	A
MAJESTY DX 250 YP	98->99	A
XVS 250 DRAGSTAR	01->04	A
XVS 250 VIRAGO	95->00	A
MAJESTY 400 YP	05->11	A
MAJESTY 400 YP ABS	09->11	A
SR 400	14->16	A
XJR 400	93->96	A
T MAX 500 XP	04->07	A
T MAX 500 XP ABS	05->07	A

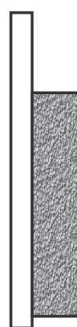
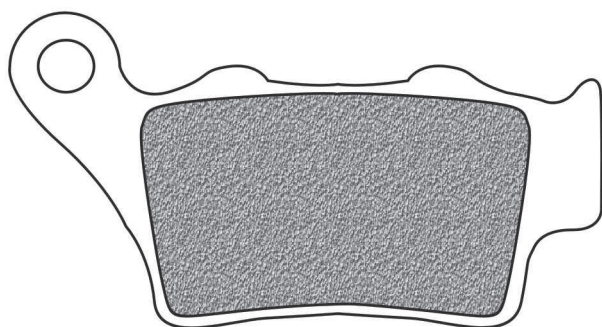
FZ6 600 FAZER	04->07	A
FZ6 600 FAZER ABS	06->07	A
FZ6 N 600	04->07	A
FZ6 NS 600	05->06	A
FZ6R 600	09->14	A
XJ 600 N	98->03	A
XJ S 600 DIVERSION	98->03	A
XJ6 600 DIVERSION	09->15	A
XJ6 F 600 DIVERSION	09->16	A
XJ6 N 600 DIVERSION	09->16	A
XJ6 S 600 DIVERSION	09->15	A
MT-03 660	06->14	A
XV 1100 VIRAGO	99->00	A
XVS 1100 A DRAG STAR CLASSIC	00->06	A
XVS 1100 DRAG STAR	99->04	A
XVS 1300 A MIDNIGHT STAR	07->16	A
XVS 1300 CUSTOM	14->16	A

FIGURATO PASTIGLIE CON APPLICAZIONI | BRAKE PADS DRAWINGS AND APPLICATIONS | DESSINS PLAQUETTES AVEC APPLICATIONS |
DISEÑOS PASTILLAS CON RELACION | ZEICHNUNGEN VON BREMSBELÄGE MIT VERWENDUNGSLISTE



FD0206

D1 (mm): 78,5x41,5x9 (lxhxsp.)

BD | BT | SD | TS | X01


ALFER	Year	A/P
VRE 125 4 STROKE	00->	P
VR 250 ENDURO	95->	P
VR 250 MOTOCROSS	95->	P
VR 250 NO LIMITS	95->	P
VR 250 SUPERMOTARD	99->	P

APRILIA	Year	A/P
PEGASO 650 IE	01->04	P
PEGASO 660 FACTORY	07->09	P
PEGASO 660 STRADA	05->09	P
PEGASO 660 TRAIL	06->08	P
DORSODURO 750 FACTORY	10->13	P
DORSODURO 750 SMV	08->18	P
SHIVER 750 SL	07->18	P
SHIVER GT 750 SL	09->12	P
NA 850 MANA	07	P
DORSODURO 900	17->20	P
SHIVER 900	17->20	P
CAPO NORD 1200	13->19	P
CAPO NORD 1200 RALLY	15->19	P
CAPO NORD 1200 TRAVEL PACK	16->19	P
DORSODURO 1200	11->15	P

BENELLI	Year	A/P
BX 449 CROSS	07	P
BX 449 SUPERMOTARD	08->	P
BX 505 ENDURO	08->	P

BETA	Year	A/P
JONATHAN 125	99->	P
EURO 350	99->	P
JONATHAN 350	02->	P

BMW	Year	A/P
C 1 125	99->	P
C 1 200	01->	P
G 310 GS	17->20	P
G 310 R	16->20	P
C 400 GT	19	P
C 400 X	18->20	P
F 650	93->03	P
F 650 CS SCARVER	00->07	P
F 650 DAKAR	99->07	P
F 650 GS	99->12	P
F 650 GS (twin cylinder)	07->12	P
F 650 GS ABS	02->12	P
F 650 ST	96->00	P
F 650 ST STRADA	97->01	P
G 650 GS	09->15	P
G 650 GS SERTA0	10->14	P
G 650 X CHALLENGE	06->09	P
G 650 X COUNTRY	06->09	P
G 650 X MOTO	06->07	P
F 700 GS	13->17	P
F 750 GS	17->18	P
F 800 GS	08->20	P
F 800 GS ADVENTURE	13->17	P
F 800 GT	13->20	P
F 800 R	09->18	P

F 800 S	06->10	P
F 800 ST	06->12	P
F 800 ST TOURING	11->12	P
F 850 GS	18->20	P
R 850 RT (21_0097 - 259T)	96->01	P
S 1000 R	13->19	P
S 1000 RR	09->20	P
S 1000 RR HP4	13->14	P

BREMBO	Year	A/P
22.2180.20 Cross		A

CCM	Year	A/P
DS 404	03->04	P
DS 404 SUPERMOTO	03->04	P
E 404	03->04	P
C 25 600	96->	P
RS 600	01->	P
SPORT 604 E	99->	P
SUPERMOTO 604 E	99->	P
DS 644	02->	P
R 30 644	02->	P

CF MOTO	Year	A/P
NK 400 ABS	19->20	P
GT 650 J ABS	19->20	P
MT 650 J ABS	19->20	P
NK 650 J	14->20	P
TK-G 650	16	P
TR 650	14->15	P

DUCATI	Year	A/P
SCRAMBLER 400 SIXTY TWO	16	P
MONSTER 797 (803 cc) (APTC clutch)	17->20	P
MONSTER 797 (803 cc) (FCC clutch)	19->20	P
MONSTER 797 PLUS (800 cc) (APTC clutch)	17->19	P
MONSTER 797 PLUS (800 cc) (FCC clutch)	19	P
SCRAMBLER 800 CAFE RACER (APTC clutch)	17->20	P
SCRAMBLER 800 CAFE RACER (FCC clutch)	17->20	P
SCRAMBLER 800 CLASSIC (APTC clutch)	15->18	P
SCRAMBLER 800 CLASSIC (FCC clutch)	16->18	P
SCRAMBLER 800 DESERT SLED (APTC clutch)	17->20	P
SCRAMBLER 800 DESERT SLED (FCC clutch)	17->20	P
SCRAMBLER 800 ENDURO	15->	P
SCRAMBLER 800 FLAT TRACK PRO (APTC clutch)	16	P
SCRAMBLER 800 FLAT TRACK PRO (FCC clutch)	16	P
SCRAMBLER 800 FULL THROTTLE (APTC clutch)	15->20	P
SCRAMBLER 800 FULL THROTTLE (FCC clutch)	16->20	P
SCRAMBLER 800 ICON (APTC clutch)	15->20	P
SCRAMBLER 800 ICON (FCC clutch)	16->20	P
SCRAMBLER 800 ICON DARK (APTC clutch)	20	P
SCRAMBLER 800 ICON DARK (FCC clutch)	20	P
SCRAMBLER 800 ITALIAN INDEPENDENT (APTC clutch)	16	P
SCRAMBLER 800 ITALIAN INDEPENDENT (FCC clutch)	16	P
SCRAMBLER 800 MACH 2.0 (APTC clutch)	18	P
SCRAMBLER 800 MACH 2.0 (FCC clutch)	18	P
SCRAMBLER 800 STREET CLASSIC (APTC clutch)	18	P
SCRAMBLER 800 STREET CLASSIC (FCC clutch)	18	P
SCRAMBLER 800 URBAN ENDURO (APTC clutch)	15->16	P
SCRAMBLER 800 URBAN ENDURO (FCC clutch)	16	P

1000 BIPOSTO	07->	P
GT 1000	07->10	P
PAUL SMART 1000 L.E.	06	P
SPORT 1000	06->08	P
SPORT 1000 CLASSIC GT	07->10	P
SPORT 1000 MONOPOSTO JPN	07	P
SPORT 1000 S	07->09	P
SCRAMBLER 1100	18->19	P
SCRAMBLER 1100 SPECIAL	18->19	P
SCRAMBLER 1100 SPORT	18->19	P

FACTORY	Year	A/P
YR 250	99->	P

GAS GAS	Year	A/P
EC 125 MC	97->99	P
MC 125	96->02	P
EC 200 2T	99	P
EC 250 2T	97->99	P
EC 250 SYXDAYS	10	P
EC F 250 4T	10->15	P
MC 250	97->99	P
TT 250	95->	P
EC 300 2T	98->99	P
MC 300	96->09	P

HIGHLAND	Year	A/P
MX 450	06->	P
V2 950 MOTARD	00->	P
V2 950 OUTBACK	99->	P

HONDA	Year	A/P
CBR 250 R (BYBRE caliper)	11->	P
CB 500	97->05	P
NX 500 DOMINATOR	97->99	P
FX 650 VIGOR	99->03	P
NX 650 DOMINATOR	97->04	P
SLR 650	97->98	P
SX 650 VIGOR	99->02	P

HRD	Year	A/P
GS 50 ENDURO	00->02	P

HUSABERG	Year	A/P
FC 350	95->	P
FE 350	93->99	P
MC 350	94->	P
FC 400	99->02	P
FE 400 S - E	98->03	P
FS 400 E - C	01->03	P
FC 450	98->08	P
FE 450 E	04->08	P
FS 450 C	06->08	P
FS 450 E - C	03->05	P
FX 450	03->08	P
FC 470 E	01->02	P
FX 470 E	01->02	P
FC 501	98->01	P
FE 501 S - E	98->04	P
FC 550	01->05	P
FE 550 E	04->08	P
EF 600 E (Quad)	98->	A
FC 600 SUPERMOTARD	98->01	P
FE 600 S - E - R	98->02	P
FE 650 E	01->08	P
FS 650 E - C	01->08	P
FX 650 E	01->05	P

HUSQVARNA	Year	A/P
125 ALL MODELS 1994-1995	94->95	P
CR 125	96->04	P
SM 125 SUPERMOTARD	98->13	P
SM S 125	09->13	P

...segue

... FD0206

FIGURATO PASTIGLIE CON APPLICAZIONI | BRAKE PADS DRAWINGS AND APPLICATIONS | DESSINS PLAQUETTES AVEC APPLICATIONS |
DISEÑOS PASTILLAS CON RELACION | ZEICHNUNGEN MIT VERWENDUNGSLISTE

... segue HUSQVARNA	Year	A/P
SMS 125 4T	11->13	P
WR 125	98->03	P
WRE 125	95->04	P
WRE 125 DUAL	95->03	P
250 ALL MODELS 1994-1995	94->95	P
CR 250	96->03	P
TC 250	02->03	P
TE 250	02->13	P
TXC 250	10->13	P
WR 250	98->06	P
WR 300	99->08	P
TE 350	96->13	P
CR 360	95->98	P
WR 360	95->13	P
SM 400 SUPERMOTARD	02->	P
TC 400	02->	P
TE 400	01->13	P
TE 400 E DUAL - ENDURO	98->	P
SVARTPILEN 401	17->20	P
VITPILEN 401	17->20	P
TE 410	95->13	P
SM 450 R	03->04	P
TC 450	02->04	P
TE 450	02->10	P
SM 510 R	05->	P
TC 510	02->03	P
TE 510	02->10	P
SM 570 R	01->	P
TC 570	01->13	P
TE 570	01->13	P
LT 600 DUAL	98->	P
SM 600 SUPERMOTARD	98->	P
TE 600	96->	P
TE 600 E DUAL - ENDURO	98->	P
LT 610	00->	P
SM 610	98->	P
SM 610 IE	07->	P
TC 610	96->13	P
TE 610	96->97	P
TE 610 E	98->13	P
SM 630	->09	P
TR 650 STRADA	13->14	P
TR 650 TERRA	13->14	P
ENDURO LR 701	20	P
FE 701 ENDURO	17->20	P
SM 701 SUPERMOTO	15->20	P
SVARTPILEN 701	18->19	P
VITPILEN 701	18->20	P
NUDA 900 ABS	11->13	P
NUDA R 900 ABS	11->13	P

HYOSUNG	Year	A/P
RX 450 SM	08->	P

INDIAN	Year	A/P
SCOUT 1000 SIXSTY	17->18	P
SCOUT 1200	17->20	P
SCOUT 1200 BOBBER	17->20	P

KRAM IT	Year	A/P
GS 250	97->	P
MX 250	97->	P
SM 250	97->	P

KTM	Year	A/P
DUKE 125	11->20	P
EXC 125	98->03	P
EXC/EGS 125	94->97	P
EXE 125	00->11	P
LC2 125	98	P
LC2 125 STING	97->98	P
RC 125	14->20	P
SUPERMOTO 125	00->01	P
SX 125	96->03	P
SXS 125	01->10	P

DUKE 200	12->20	P
EGS 200	98->99	P
EXC 200	97->03	P
MXC 200	98->03	P
RC 200	14->20	P
ADVENTURE 250	20	P
DUKE 250	15->20	P
EGS 250	94->99	P
EXC 250	94->03	P
EXC RACING 250 (4T)	00->03	P
MX 250	94->99	P
SX 250	94->02	P
SXS 250	01->03	P
SXS-F 250	06->08	P
XC 250 (2T)	94->03	P
EXC 300	94->03	P
EXC 300 EGS	94->99	P
EXC 360	96->97	P
SX 360	96->97	P
EXC 380	98->02	P
MXC 380	98->02	P
SX 380	98->02	P
ADVENTURE 390	20	P
DUKE 390	13->20	P
RC 390	14->20	P
DUKE 400	95	P
EXC 400	00->03	P
EXC RACING 400	00->03	P
LC4 400 E	98->01	P
LC4 400 EGS	95->97	P
LC4 400 EXC - RXC	96->97	P
LC4 400 SC - SXC	98->00	P
MXC 400	00->02	P
SX 400	00->02	P
SX RACING 400	02	P
SXC 400	99->00	P
EXC RACING 450	03	P
SX 450	03	P
EXC/MX 500	94->95	P
EXC RACING 520	00->02	P
MXC 520	00->02	P
SX 520	00->02	P
EXC RACING 525	03	P
MXC 525	03	P
SX 525	03	P
LC4 540 SXC	98->00	P
SXS 540 RACING	02	P
LC4 600	90->93	P
LC4 620 ADVENTURE	97->98	P
LC4 620 RXC	96->97	P
LC4 620 SC	98->04	P
LC4 620 SC SM	00->	P
LC4 620 SMC	04->06	P
LC4 620 SX	95->99	P
LC4 625 SXC	03->07	P
LC4 640 ADVENTURE	98->03	P
LC4 640 ADVENTURE	04->07	P
LC4 640 DUKE	98	P
LC4 640 DUKE II	99->06	P
LC4 640 SUPERMOTO	03->06	P
LC4 E 640 HARD ENDURO	98->06	P
LC4-E 640 SUPERMOTO	99->02	P
LC4 660 SM FACTORY REPLICA	02->03	P
LC4-E 660 RALLYE	01->	P
SMC 660 SUPERMOTO	03->06	P
LC4 690 DUKE	08->13	P
LC4 690 DUKE ABS	12->19	P
LC4 690 DUKE R	10->17	P
LC4 690 ENDURO	08->14	P
LC4 690 ENDURO R	09->20	P
LC4 690 RALLY REPLICA	07->10	P
LC4 690 SM	07->09	P
LC4 690 SM PRESTIGE	07	P
LC4 690 SMC	08->11	P
LC4 690 SMC R	12->17	P
LC4 690 SMR	08	P

790 ADVENTURE R RALLY	20	P
DUKE 790	18->20	P
LC8 950 ADVENTURE	03->05	P
LC8 950 ADVENTURE S	03->05	P
LC8 990 SUPER DUKE	05->12	P
LC8 990 SUPER DUKE R	07->13	P

MAICO	Year	A/P
CROSS 250	98->	P
ENDURO 250	99->	P
MOTOCROSS 250	99->	P
CROSS 500	98->	P
ENDURO 500	99->	P
MOTOCROSS 500	99->	P
SUPERMOTARD 500	99->	P

PRAGA	Year	A/P
ED 250	99->	P
CD 610	99->	P

ROYAL ENFIELD	Year	A/P
HIMALAYAN 411	19->20	P
BULLET 500	20	P
BULLET 500 TRIALS	20	P
CLASSIC 500	19	P
CONTINENTAL GT 535	14->17	P
CONTINENTAL GT 650	20	P
INTERCEPTOR 650	19->20	P

SWM	Year	A/P
SUPER DUAL 600 T	18->20	P
SUPER DUAL 600 X	18->20	P
RS 650 R FACELIFT	16->20	P
SM 650 R	16->20	P
SUPER DUAL 650	15->18	P

TM	Year	A/P
all models 80 (solo fascia frenante)	94->03	P
all models 85 (solo fascia frenante)	98->03	P
CROSS - ENDURO 125	91->95	P
EN 125	94->00	P
MX 125	94->00	P
EN 250	95->00	P
EN 250 F	95->00	P
all models 300	98->00	P
all models 320	96->97	P
400 F	00	P
EN 530 F	03->04	P
MX 530 F 4T	03->04	P

TRIUMPH	Year	A/P
STREET TRIPLE 660 SA2	17->20	P
DAYTONA TRIPLE 675	13->18	P
DAYTONA TRIPLE R 675	13->18	P
STREET TRIPLE 675	13->17	P
STREET TRIPLE R 675	13->18	P
STREET TRIPLE RX 675	15->16	P
DAYTONA 765 MOTO2	20	P
STREET TRIPLE R 765	17->20	P
STREET TRIPLE R 765 LOW	17->20	P
STREET TRIPLE RS 765	17->20	P
STREET TRIPLE S 765	17->20	P

VERTEMATI	Year	A/P
C 450 CROSS	03->	P
E 450 ENDURO	02->	P
SR 450 MOTARD	03->	P
SR 450 MOTARD RACING	03->	P
C 500 CROSS	->02	P
E 501 ENDURO	03->	P
S 501 MOTARD	02->	P
C 570 CROSS	03->	P
E 570 ENDURO	03->	P
SR 600 MOTARD RACING	03->	P



... FD0206

VICTORY	Year	A/P
OCTANE 1200	17	P

VOR	Year	A/P
all models 400	00->	P
EN 400	02->	P
all models 450	00->	P
SM 450	02->	P
all models 492	99->	P
SUPERMOTARD 492	00->	P
all models 495	99->	P
SUPERMOTARD 500	00->01	P
all models 503	00->	P
all models 530	02->	P
EN 530	02->	P

MX 530	02->	P
SM 530	02->	P

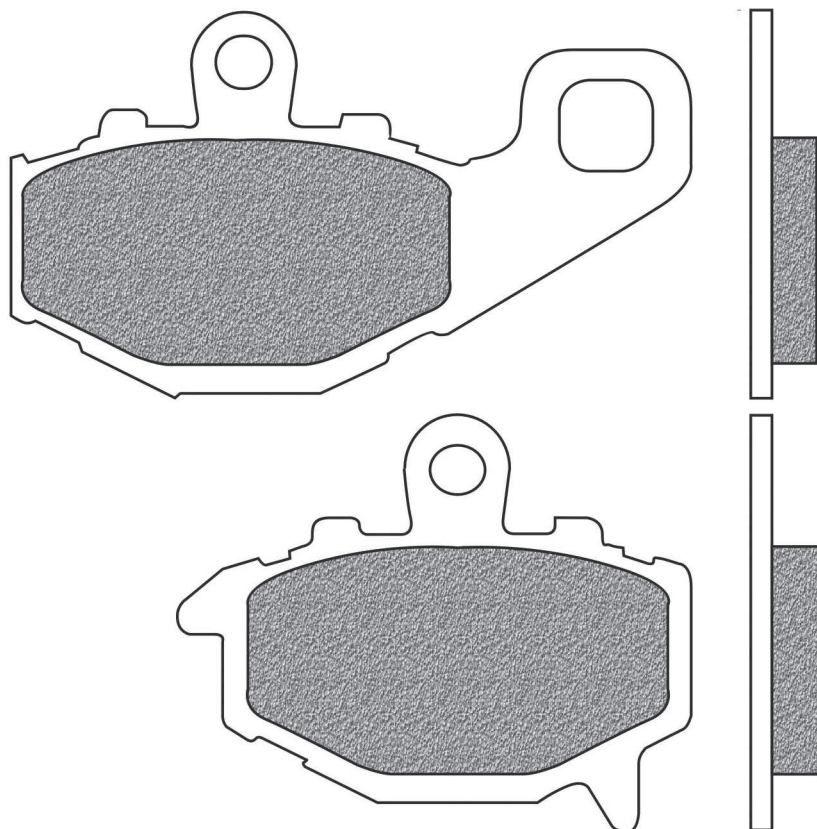
YAMAHA	Year	A/P
WR 125 R	09->12	P
WR 125 X SUPERMOTO	09->14	P
TT 600 K (4GW)	95->96	P
TT R 600	97->02	P
TT R 600 E	04->07	P
MT-03 660	06->14	P
XT R 660	04->12	P
XT X 660	04->11	P
XT Z 660 TENERE	08->15	P
XTZ 690 TENERE 700	19->20	P

ZERO	Year	A/P
DS 1 ZF 11.4	14	P
DS 1 ZF 12.5	15->	P
DS 1 ZF 8.5	14	P
DS 1 ZF 9.4	15->	P
FX 1 ZF 2.7	14->	P
FX 1 ZF 2.8	14->	P
S 1 ZF 11.4	14	P
S 1 ZF 12.5	15->	P
S 1 ZF 8.5	14	P
S 1 ZF 9.4	15->	P
SR 1 ZF 11.4	14	P
SR 1 ZF 12.5	15->	P

FD0207

D1 (mm): 90x51x8,5 (lxhvsp.)

D2 (mm): 68x55x9,5 (lxhvsp.)

BT | TS


CF MOTO	Year	A/P
NK 650	12->13	P
TR 650	12->13	P

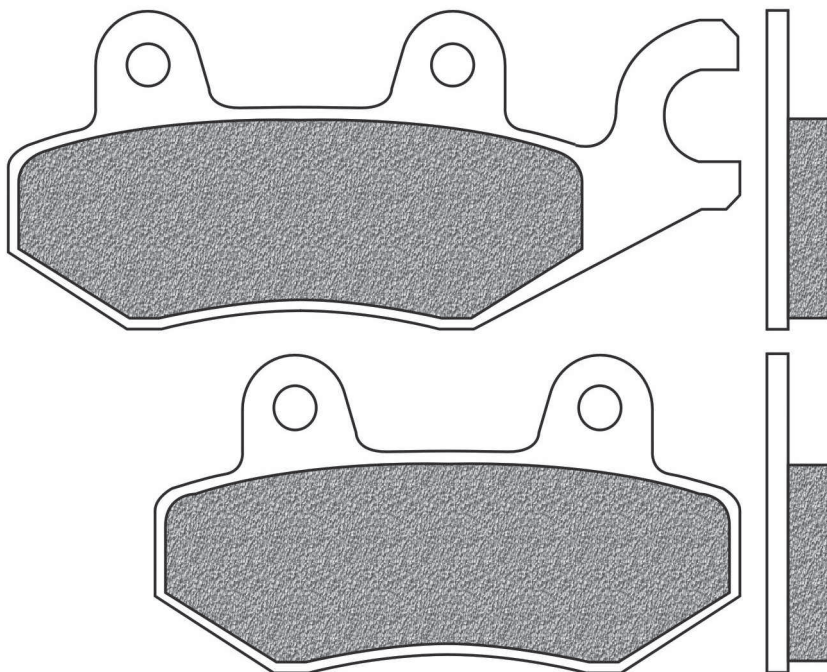
KAWASAKI	Year	A/P
ZR 400 ZEPHYR	97->01	P
ZRX 400	94->01	P
ZX 400 R	11->	P
ZZR 400	93->99	P
ZR 550 ZEPHYR	93->99	P
ZR 550 ZEPHYR (D from VIN B024010)	93->01	P
ZX-6 RR 600 NINJA	03->06	P
ZX-6R 600 NINJA	94->17	P
ZZR 600	93->06	P
ZZR 600 (ZX E6F)	06->07	P
ZX-6R 636 NINJA	02->06	P
ER - 6F 650	06->16	P
ER - 6F 650 ABS	06->16	P
ER - 6N 650	06->16	P
ER - 6N 650 ABS	06->16	P
KLE 650 VERSYS	07->14	P
KLE 650 VERSYS ABS	07->14	P
Z 700	04->	P
Z 750 J (ZR)	04->06	P
Z 750 S (ZR)	05->07	P
ZX-9 900 R NINJA	94->04	P
Z 1000	03->16	P
Z 1000 ABS	15->19	P
Z 1000 R	17->18	P
Z 1000 SE	14->16	P
Z 1000 SX	11->19	P
ZX-10R 1000 NINJA	04->10	P
GPZ 1100 (ZX 1100)	95->99	P

FD0208

BE | BT

D1 (mm): 97x42x9,2 (lxhxsp.)

D2 (mm): 77,5x42x9,2 (lxhxsp.)



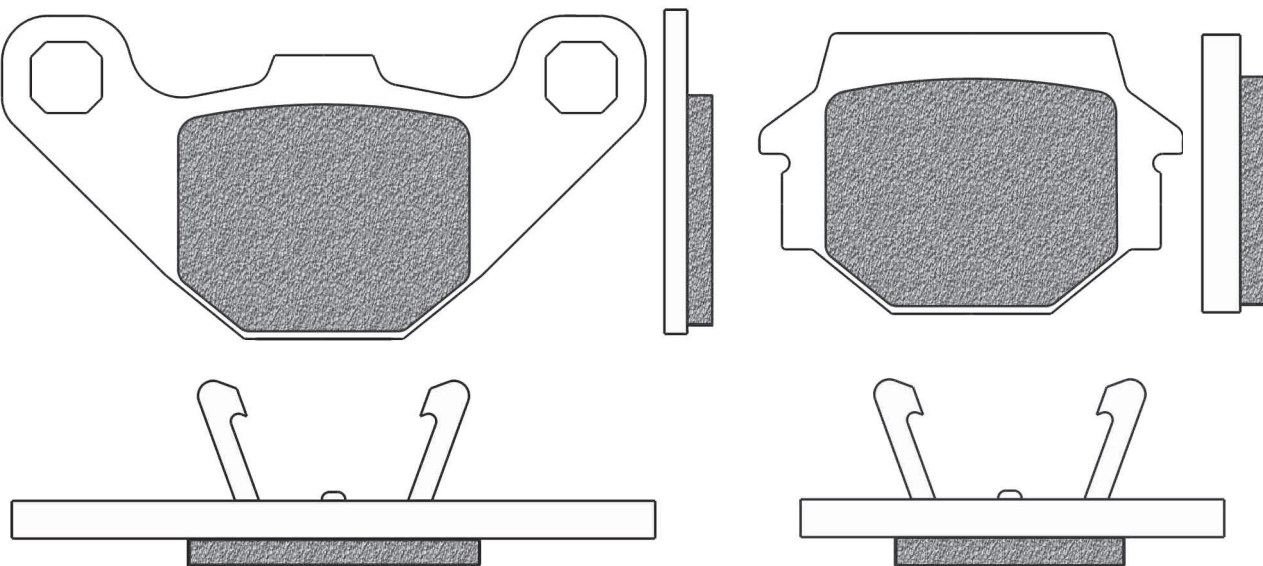
BENELLI	Year	A/P
CAFFE NERO 250	08->	A
DAELIM	Year	A/P
ROADWIN 125	04->	P
ROADWIN 150 X5	06->	P
ROADWIN 250	08->	P
HONDA	Year	A/P
NSR 75 NS-1	92->00	A
LS 125 R	00->	P
VT 125 C SHADOW	99->08	A
XLV 125 VARADERO	01->11	A
TA 200 SHADOW	02->05	A / P
CBF 250	04->06	A
CB 300	10->	A
HUSQVARNA	Year	A/P
WR 250	07->13	P
KYMCO	Year	A/P
PEOPLE S 250	06->	A
PEOPLE S 250 i	07->	A
PEOPLE S 300 I	08->10	A
SUZUKI	Year	A/P
FX 125		A
SYM	Year	A/P
RS 125	05->	P
RS 21 125	02->	P
SHARK 125	00->	P
RS 150	05->	P
TGB	Year	A/P
BUFFALO 50	03->	P
YAMAHA	Year	A/P
YS 250 Fazer (Brasil) (1S41/2/3)	06->08	A

FD0210

BT

D1 (mm): 85x42,5x6,4 (lxhxsp.)

D2 (mm): 56x37x8,7 (lxhxsp.)



APRILIA	Year	A/P
ETX 125	98->	P
PEGASO 125	89->91	P
RX 125	95->	P
RX 125 ENDURO	08->	P
RX 125 SUPERMOTARD	08->	P
MOTO 650 6.5	97->00	P
PEGASO 650	96	P
STARCK 650	96	P

BUELL	Year	A/P
1200 all models	94->97	P
RS 1200	93->	P
CAGIVA	Year	A/P
W8 125 PRO ACTION	96->	P
W 16 650	93->	P
HUSABERG	Year	A/P
EF 600 E (Quad)	98->	P
HUSQVARNA	Year	A/P
TE 610	91->95	P

KTM	Year	A/P
EXC 125	90->93	P
EXC 125 (pinze Brembo)	89	P
MX 125 (pinze Brembo)	89->93	P
EXC 300 EGS	93	P
EXC/MX 500 (pinze Brembo)	89->91	P
LC4 EXC/EGS 500	92	P
LC4 EXC/EGS 500 (pinze Brembo)	90->91	P
LC4 EXC/EGS 500 (pinze Grimeca)	90->91	P

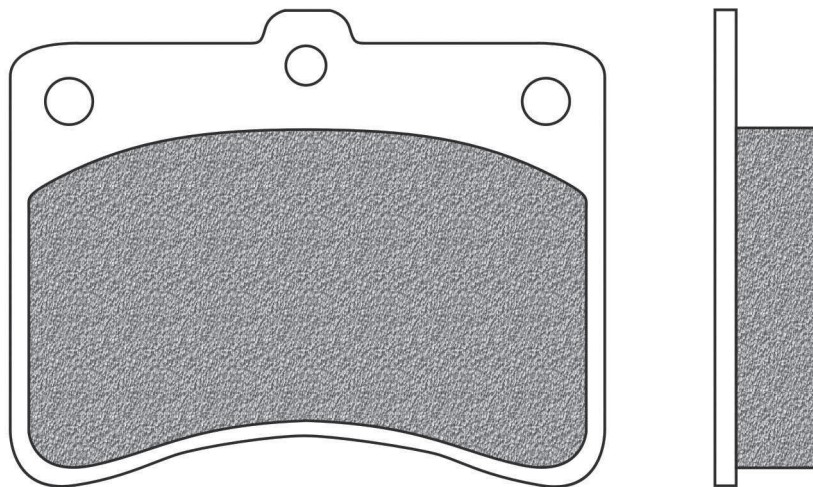
FIGURATO PASTIGLIE CON APPLICAZIONI | BRAKE PADS DRAWINGS AND APPLICATIONS | DESSINS PLAQUETTES AVEC APPLICATIONS |
DISEÑOS PASTILLAS CON RELACION | ZEICHNUNGEN VON BREMSBELÄGE MIT VERWENDUNGSLISTE



FD0211

BT

D1 (mm): 79x63x13,3 (lhxsp.)



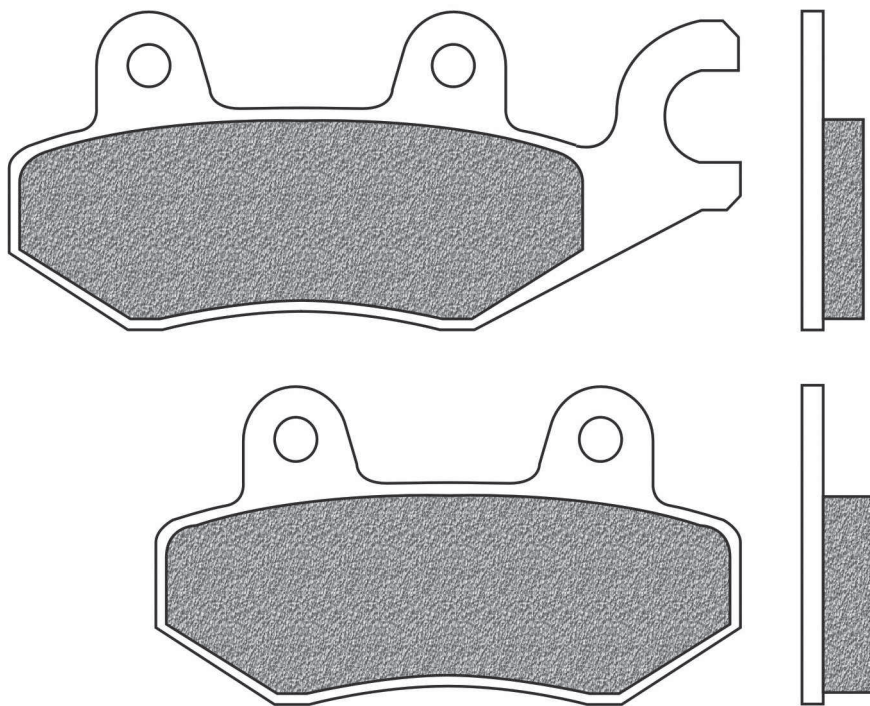
PIAGGIO	Year	A/P
QUARGO 500	05->17	A
PORTER 1000 (carburatore)	92->94	A
PORTER 1000 (iniezione)	95->98	A
PORTER 1200 DIESEL	95->00	A
PORTER 1300 16 V 4X4	98->07	A
PORTER 1300 16 V GPL	98->07	A
PORTER 1300 16 V MAXXI	98->07	A
PORTER 1300 16 V PICK UP	98->07	A
PORTER 1300 16 V VAN	98->07	A
PORTER 1300 MAXXI UP - DATE	09	A
PORTER 1300 UP - DATE	09->10	A
PORTER 1400 DIESEL	95->00	A

FD0212

BT

D1 (mm): 97x42x8 (lhxsp.)

D2 (mm): 77,5x42x9,7 (lhxsp.)



MZ	Year	A/P
RT 125	06->	A
SM 125	99->01	P
SX 125	99->01	P

TRIUMPH	Year	A/P
DAYTONA 750	91->92	P
DAYTONA 885 900	93->94	P

DAYTONA 900 900 SUPER 3 750	94->96	P
TROPHY 885 900	96->03	P
DAYTONA 998 1000	91->92	P
DAYTONA 1180 1200	93->98	P
TROPHY 1180 1200	96->03	P

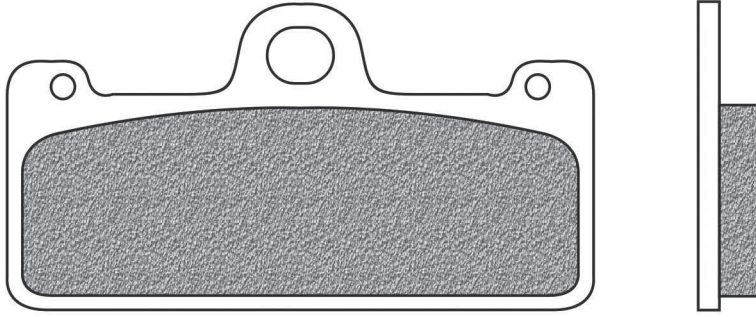
VOXAN	Year	A/P
SCRAMBLER 1000	01->03	P

YAMAHA	Year	A/P
XTZ 750 SUPER TENERE	89->95	P

FD0213

B4R | BT | R01 | TS

D1 (mm): 78x41x8,3 (lhxsp.)



APRILIA	Year	A/P
SXV Replica 450 VAN DE BOSCH	05->	A
SXV Replica 550 VAN DE BOSCH	08->	A

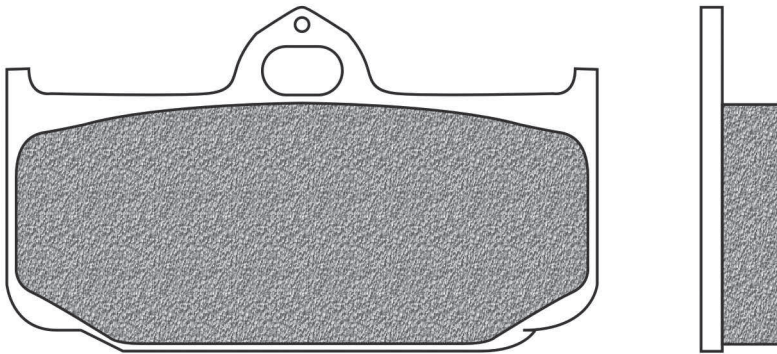
BREMBO	Year	A/P
GP X10.48.13/14 RACING		A

DUCATI	Year	A/P
888 SUPERBIKE STRADA	94->95	A

FD0215

BT

D1 (mm): 78x45,5x10 (lhxsp.)

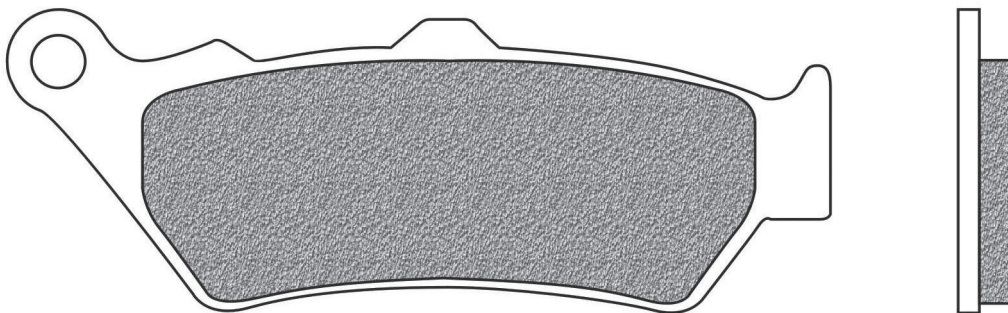


HONDA	Year	A/P
RS 250 R	95->97	A

FD0216

BT | R01 | SH | SP | TS

D1 (mm): 108,5x40x7,5 (lhxsp.)



APRILIA	Year	A/P
PEGASO 600	89->91	A
MOTO 650 6.5	95->00	A
PEGASO 650 3	97->00	A
PEGASO 650 IE	01->04	A
STARCK 650	96	A
PEGASO 660 TRAIL	06->08	A
ETV 1000 CAPONORD	01->03	A
ETV 1000 CAPONORD ABS	04->08	A
ETV 1000 CAPONORD RALLY RAID	04->08	A
BENELLI	Year	A/P
IMPERIALE 400	19->	A
LEONCINO 500 TRAIL	18->20	A
TRK 502 500 X	18->	A
BIMOTA	Year	A/P
DBX 1100	13->	A

BMW	Year	A/P
C 1 125	99->	A
C 1 200	01->	A
F 650	93->03	A
F 650 CS SCARVER	00->07	A
F 650 DAKAR	99->07	A
F 650 GS	99->12	A
F 650 GS (twin cylinder)	07->12	A
F 650 GS ABS	02->12	A
F 650 ST	96->00	A
F 650 ST STRADA	97->01	A
G 650 GS	09->15	A
G 650 GS SERTA0	10->14	A
G 650 X CHALLENGE	06->09	A
G 650 X COUNTRY	06->09	A
F 700 GS	13->17	A

F 750 GS	17->18	A
F 800 GS	08->20	A
F 800 GS ADVENTURE	13->17	A
F 850 GS	18->20	A
HP2 1200 ENDURO	05->09	A
R 1200 GS (W)	13->18	P
R 1200 GS (W) ADVENTURE	13->18	P
R 1200 RT	14->18	P
R 1250 GS	19->20	P
R 1250 GS ADVENTURE	19->20	P
R 1250 R	19->20	P
R 1250 RS	19->20	P
R 1250 RT	19->20	P
R 1250 RT SPORT	19->20	P
K 1600 B	17->20	P
K 1600 GRAND AMERICA	18->20	P

FIGURATO PASTIGLIE CON APPLICAZIONI | BRAKE PADS DRAWINGS AND APPLICATIONS | DESSINS PLAQUETTES AVEC APPLICATIONS |
 DISEÑOS PASTILLAS CON RELACION | ZEICHNUNGEN VON BREMSBELÄGE MIT VERWENDUNGSLISTE

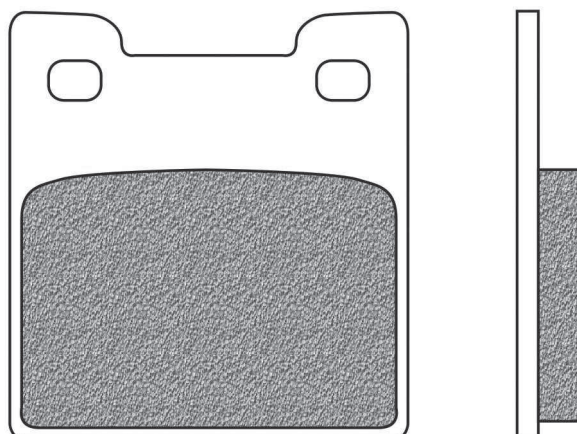


... FD0216

... segue BMW	Year	A/P	HUSQVARNA	Year	A/P	ROYAL ENFIELD	Year	A/P
K 1600 GT	10->20	P	TR 650 STRADA	13->14	A	CONTINENTAL GT 535	14->17	A
K 1600 GTL	10->20	P	TR 650 TERRA	13->14	A	CONTINENTAL GT 650	20	A
K 1600 GTLE	12->	P	ENDURO LR 701	20	A	INTERCEPTOR 650	19->20	A
CF MOTO	Year	A/P	FE 701 ENDURO	17->20	A	SWM	Year	A/P
NK 400 ABS	19->20	A	INDIAN	Year	A/P	SM 450 R	16->20	A
GT 650 J ABS	19->20	A	SCOUT 1000 SIXSTY	17->18	A	SM 500 R	18->20	A
MT 650 J ABS	19->20	A	SCOUT 1200	17->20	A	SUPER DUAL 600 T	18->20	A
NK 650 J	14->20	A	SCOUT 1200 BOBBER	17->20	A	SUPER DUAL 600 X	18->20	A
TK-G 650	16	A	KTM	Year	A/P	RS 650 R FACELIFT	16->20	A
TR 650	14->15	A	LC4 640 ADVENTURE	04->07	A	SM 650 R	16->20	A
DUCATI	Year	A/P	LC4 690 ENDURO	08->14	A	TRIUMPH	Year	A/P
SCRAMBLER 400 SIXTYTWO	16	A	LC4 690 ENDURO R	09->20	A	SCRAMBLER XC 1200	19->20	P
1000 BIPOSTO	07->	A	LC4 690 RALLY REPLICA	07->10	A	SCRAMBLER XE 1200	19->20	P
GT 1000	07->10	A	790 ADVENTURE	19->20	P	THUNDERBIRD 1600	09->18	P
GT 1000 TOURING	09	A	790 ADVENTURE R	19->20	P	THUNDERBIRD 1600 COMMANDER	14->18	P
PAUL SMART 1000 L.E.	06	A	LC8 950 ADVENTURE	03->05	A	THUNDERBIRD 1600 LT	14->18	P
SPORT 1000	06->08	A	LC8 950 ADVENTURE S	03->05	A	THUNDERBIRD 1600 NIGHTSTORM	14->18	P
SPORT 1000 CLASSIC GT	07->10	A	LC8 950 SUPER ENDURO	06->08	A	THUNDERBIRD 1600 STORM	11->18	P
SPORT 1000 MONOPOSTO JPN	07	A	LC8 950 SUPER ENDURO R	06->08	A	ROCKET III 2300	04->13	P
SPORT 1000 S	07->09	A	LC8 990 ADVENTURE	06->12	A	ROCKET III 2300 CLASSIC	06->18	P
DIAVEL 1200	11->13	P	LC8 990 ADVENTURE DAKAR	09->12	A	ROCKET III 2300 ROADSTER	06->18	P
DIAVEL 1200 AMG	13	P	LC8 990 ADVENTURE R	09->12	A	ROCKET III 2300 TOURING	06->18	P
DIAVEL 1200 CARBON	11->13	P	LC8 990 ADVENTURE S	06->08	A	ROCKET X 2300	15	P
DIAVEL 1200 CARBON BRA	12->14	P	MOTO GUZZI	Year	A/P	VICTORY	Year	A/P
DIAVEL 1200 CARBON FL	15	P	BELLAGIO 940 AQUILA NERA	07->10	P	OCTANE 1200	17	A
DIAVEL 1200 CROMO	13->	P	CALIFORNIA 1000 EV	99->	P	KINGPIN 1500	04->05	P
DIAVEL 1200 STRADA	13->14	P	BREVA 1100	05->07	P	TOURING CRUISER 1500	03->06	P
DIAVEL 1200 WHITE STRIPE	13->14	P	CALIFORNIA 1100	06->12	P	V92C CRUISER 1500	98->02	P
XDIAVEL 1200	16->18	P	CALIFORNIA 1100 ALLUMINIUM - TITANIUM	04->05	P	V92C DELUXE 1500	01->02	P
XDIAVEL 1200 S	16->18	P	CALIFORNIA 1100 CLASSIC - TOURING	06->08	P	V92SC SPORT CRUISE 1500	00->02	P
DIAVEL 1260	19->20	P	CALIFORNIA 1100 EV	97->02	P	VEGAS 1500	03->05	P
DIAVEL 1260 S	19->20	P	CALIFORNIA 1100 EV TOURING	03->05	P	VEGAS 8-BALL 1500	05	P
XDIAVEL 1262	16->20	P	CALIFORNIA 1100 JACKAL	99->06	P	HAMMER 1634	05->07	P
XDIAVEL 1262 S	16->20	P	CALIFORNIA 1100 SPECIAL	99->00	P	HAMMER S 1634	06->08	P
XDIAVEL 1262 SPORT PACK	17->18	P	CALIFORNIA 1100 SPECIAL SPORT - ALLUMINIUM	02->03	P	KINGPIN 1634	06->07	P
HARLEY DAVIDSON	Year	A/P	CALIFORNIA 1100 SPORT	01->02	P	KINGPIN TOUR 1634	06->07	P
XG 500 STREET	16->20	A	CALIFORNIA 1100 STONE - METAL	01->05	P	VEGAS 1634	06->07	P
XG 750 STREET	16->20	A	CALIFORNIA 1100 VINTAGE	06->12	P	VEGAS 8-BALL 1634	06->07	P
XG-A 750 STREET ROD	17->20	A	QUOTA 1100	99->01	A/P	VEGAS JACKPOT 1634	06->07	P
HONDA	Year	A/P	QUOTA 1100 ES	99->01	A	YAMAHA	Year	A/P
CBR 250 R (BYBRE caliper)	11->	A	AUDACE 1400	15->17	P	DT 125 X SUPERMOTARD	05->06	A
CB 500	97->05	A	CALIFORNIA 1400 CUSTOM	13->15	P	XT R 660	04->12	A
NX 500 DOMINATOR	97->99	A	CALIFORNIA 1400 TOURING	13->15	P	ZERO	Year	A/P
FX 650 VIGOR	99->03	A	CALIFORNIA 1400 TOURING SE	15->17	P	DS 1 ZF 12.5	15->	A
NTV 650 DEAUVILLE	98->01	A	ELDORADO 1400	15->17	P	DS 1 ZF 9.4	15->	A
NX 650 DOMINATOR	97->04	A	MGX-21 1400 FLYING FORTRESS	15->17	P	S 1 ZF 12.5	15->	A
SLR 650	97->98	A	MOTO MORINI	Year	A/P	S 1 ZF 9.4	15->	A
SX 650 VIGOR	99->02	A	GRAN PASSO 1200	08->	A	SR 1 ZF 12.5	15->	A
			GT 1200	10->	A			
			SCRAMBLER 1200	09->	A			

FD0217
BT

D1 (mm): 53x56,5x8,6 (lxhxsp.)

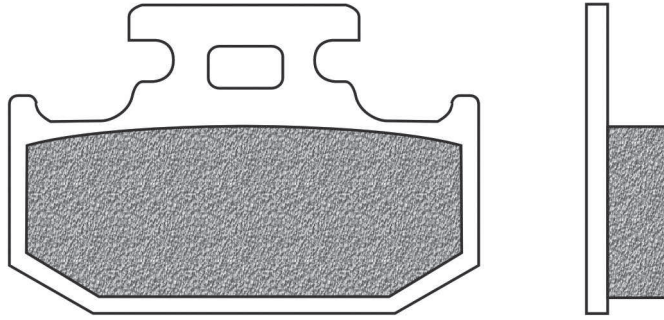


SUZUKI	Year	A/P
RF 900 RR	94->95	P

FD0218

BD

D1 (mm): 62x41x11 (l x h x sp.)



SUZUKI	Year	A/P
RM 125	91->95	P
RM 250	91->95	P
RMX 250	94->95	P

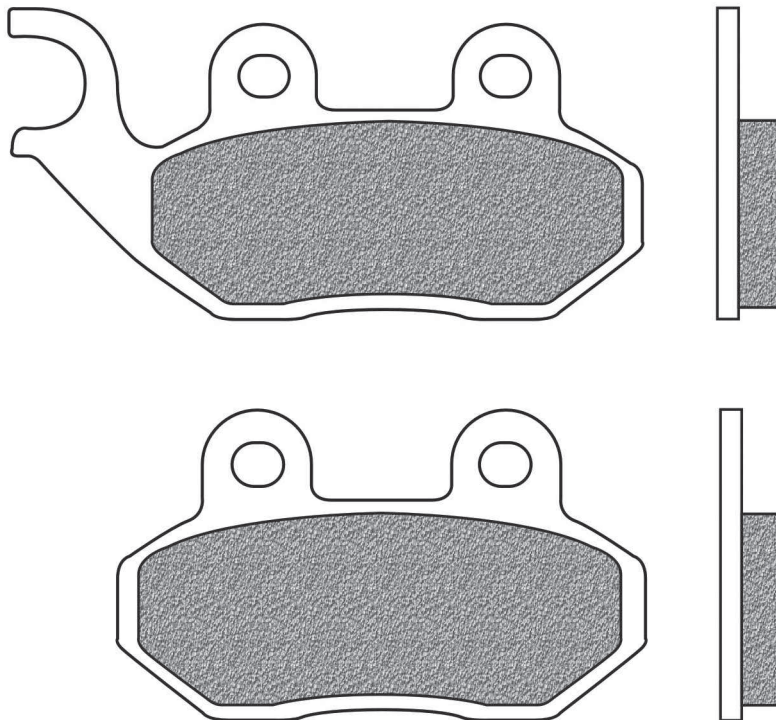
YAMAHA	Year	A/P
DT 230 R LANZA	97->98	P
YZ 250	93->97	P
WR F 400	98	P
YZ-F 400	98	P

FD0219

BA | BE | SE

D1 (mm): 85x43,5x8,1 (l x h x sp.)

D2 (mm): 70x41x8,1 (l x h x sp.)



CAGIVA	Year	A/P
CITY 50	95->	A
PASSING 50	95->	A
PASSING 110 (Brasil)		A
PASSING 125	94->	A

GARELLI	Year	A/P
FLEXI 50	12->	A
GSP 50	12->	A
KRS 50	02->	A
PMX 50 SPORT	00->	A
XO 50	12->	A
FREELAND 125	02->	A
FREELAND 150	02->	A

PEUGEOT	Year	A/P
TWEET 50	10->13	A
TWEET 50 EVO	14->	A
TWEET 50 EVO RS	14->	A
TWEET 50 RS	10->13	A
LXR 125	10->	A
TWEET 125	10->13	A
TWEET 125 EVO	14->	A
TWEET 125 EVO RS	14->	A
TWEET 125 RS	10->13	A
TWEET 150	10->13	A
TWEET 150 RS	10->13	A
LXR 200	10->	A

PGO	Year	A/P
DR BIG 50	01->	A
G MAX 50	06->	A
i DEP 50	09->	A
LIBRA 50	10->	A
LIGERO 50	06->	A
PM X 50 SPORT	00->	A
T-REX 50 2T	00->	A
MY BUBU 100	02->	A
CHARGE 125	02->	A
LIGERO 125	06->	A
MY BUBU 125	02->	A
T-REX 125 2T	00->	A
T-REX 125 4T	95->	A
T-REX 150 4T	00->	A
TR 3 150	02->	A

SYM	Year	A/P
ALLO 50	11->15	A

FIGURATO PASTIGLIE CON APPLICAZIONI | BRAKE PADS DRAWINGS AND APPLICATIONS | DESSINS PLAQUETTES AVEC APPLICATIONS |
DISEÑOS PASTILLAS CON RELACION | ZEICHNUNGEN VON BREMSBELÄGE MIT VERWENDUNGSLISTE

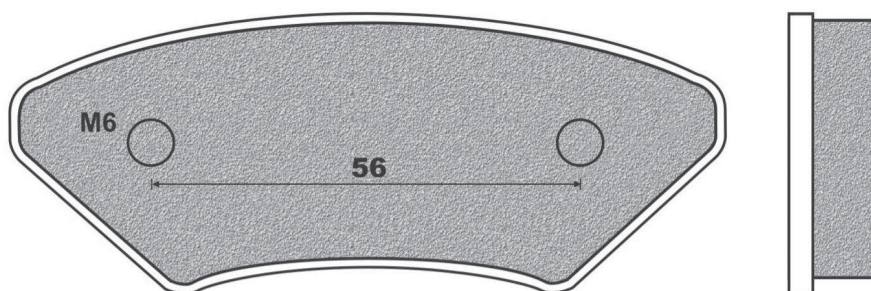


... FD0219

... segue SYM	Year	A/P						
ALPHA 50	95->	A	ATTILA 125	95->00	A	FIDDLE II 200	11->	A
CROX 50	14->15	A	CROX 125	14->	A	FIDDLE III 200	16	A
FIDDLE II 50	08->09	A	FIDDLE II 125	09->13	A	HD EVO 200	11->	A
FIDDLE III 50	16	A	FIDDLE III 125	14->16	A	HD EVO 200 EURO 2	05->06	A
JET 50	95->	A	HD 125	05->06	A	HD EVO 200 I EURO 3	07->10	A
JET 50 all models	05->08	A	HD 125 EU 2	03->04	A	HD EVO 200 I EURO 3 (tamburo post)	08->09	A
JET 50 SPORT X	06->10	A	HD 125 EURO 3	07->08	A	HD2 EVO 200	13->	A
JET 4 50	09->10	A	HD EVO 125	05->06	A	CITYCOM 300	08->09	A / P
JET 4 50 NAKED	11->	A	HD EVO 125 EURO3	10	A	CITYCOM 300 EFI	10->11	A / P
JET 4R 50	11->	A	JET 4 125	09	A	CITYCOM 300 I CBS	12	A / P
JUNGLE 50	96->	A	MEGALO 125	02->07	A	CITYCOM 300 S	16	A / P
MASK 50	00->	A	NEW DUKE 125	00->01	A			
MASK 50 LC	00->	A	SUPER DUKE 125	95->02	A	ZERO	Year	A/P
ORBIT 50 II	12->	A	SYMPHONY 125	09	A	DS 1 ZF 6.0	10->13	A
RED DEVIL 50	99->	A	SYMPHONY 125 DD	09	A	DS 1 ZF 9.0	10->12	A
SUPER FANCY 50	95->97	A	SYMPHONY 125 S	10->17	A	MX 1	10->12	A
SYMPHONY 50	09	A	SYMPHONY 125 SR	11->17	A	S 1 ZF 6.0	10->12	A
SYMPHONY 50 S	10->	A	SYMPHONY 125 ST	15->19	A	X 1	10->12	A
SYMPHONY 50 SR	10->	A	SYMPLY 125	07->08	A	XU 1	11->12	A
SYMPHONY 50 ST	15->	A	SYMPLY II 125	09->14	A			
SYMPLY II 50	07->09	A	X PRO 125	13->16	A			
X PRO 50	14->	A	ATTILA 150	00->01	A			
ALLO 100	11->	A	CROX 150	14->	A			
JET 100	99->	A	FIDDLE II 150	10->12	A			
JET 100 EURO X	05->	A	HD1 150	95->	A			
PARTY 100	97->	A	SUPER DUKE 150	96->02	A			
SUPER FANCY 100	95->98	A	SYMPHONY 150	09	A			
STAR 110	03->	A	SYMPHONY 150 S	10	A			
			SYMPHONY 150 SR	10	A			

FD0220
K1

D1 (mm): 95,2x37,7x12 (lxhxp.)

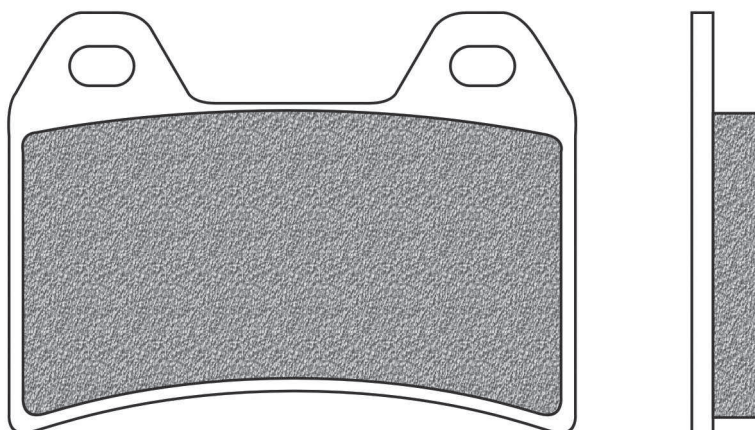


YAMAHA	Year	A/P
(old models) interasse fori 56mm diametro M6		P

FD0221

B4R | BT | R01 | SP | TS

D1 (mm): 75x55,5x8,7 (lxhxsp.)



RACING (996cc) 916 (con antisaltellamento)	97->98	A
ST4 916	99->03	A
ST2 944	97->03	A
ST3 992	04->	A
ST3S 992 ABS	06->	A
996	99->01	A
996 RS (con antisaltellamento)	00->01	A
996 S	01	A
MONSTER 996 S4R	03->06	A
ST4S 996	01->05	A
ST4S 996 ABS	03->05	A
MONSTER 1000 S2R	06->08	A
MULTISTRADA 1000	03->06	A
MULTISTRADA 1000 DS	05	A
MULTISTRADA 1000 DS S	05	A
MULTISTRADA 1000 S	06	A
ST3 1000	04->07	A
SUPERSPORT 1000	03->06	A
HYPERMOTARD 1100	07->09	A
HYPERMOTARD 1100 EVO	10->12	A
MONSTER 1100	09->10	A
MONSTER 1100 DIESEL	13	A
MONSTER 1100 EVO	12->13	A
MONSTER 1100 EVO - EVO ABS	12->13	A
MONSTER 1100 EVO ANNIVERSARY	13	A
MONSTER 1100 S	09->10	A
MULTISTRADA 1100	07->09	A
MULTISTRADA 1100 S	07->09	A
MULTISTRADA 1200	10->14	A
MULTISTRADA 1200 S GT	13->14	A
MULTISTRADA 1200 S PIKES PEAK	11->15	A
MULTISTRADA 1200 S SPORT	10->12	A
MULTISTRADA 1200 S TOURING	10->14	A
MULTISTRADA 1200 S TOURING D-AIR	14	A
HONDA	Year	A/P
CB 400 SUPER FOUR F3V	97	A
HUSQVARNA	Year	A/P
NOX 570	98->03	A
LT 600 DUAL	98->	A
SM 600 SUPERMOTARD	98->	A
LT 610	00->	A
SM 610	98->	A
SM 630	->09	A
SMR 630	04->08	A
SVARTPILEN 701	18->19	A
VITPILEN 701	18->20	A
NORDEN 900 ABS	20->	A
NUDA 900 ABS	11->13	A
KTM	Year	A/P
LC4 620 SMC	04->06	A
LC4 640 DUKE II	03->06	A
LC4 640 SUPERMOTO	04->06	A
SMC 660 SUPERMOTO	04->06	A
LC4 690 DUKE	12->13	A
LC4 690 DUKE ABS	12->19	A
LC4 690 SM	07->09	A
790 ADVENTURE	19->20	A
790 ADVENTURE R	19->20	A
790 ADVENTURE R RALLY	20	A
DUKE 790	18->20	A
1050 ADVENTURE	15->16	A
1090 SUPER ADVENTURE	17->19	A
1090 SUPER ADVENTURE R	17->19	A
1190 ADVENTURE	13->16	A
1190 ADVENTURE R	13->16	A
1290 SUPER ADVENTURE	15->20	A
1290 SUPER ADVENTURE R	17->20	A
1290 SUPER ADVENTURE S	17->20	A
1290 SUPER ADVENTURE T	17->19	A
MOTO GUZZI	Year	A/P
BREVA 750	03->09	A
NEVADA 750	02->03	A
NEVADA 750 AQUILA NERA	09->13	A
NEVADA 750 CLASSIC	04->12	A

FIGURATO PASTIGLIE CON APPLICAZIONI | BRAKE PADS DRAWINGS AND APPLICATIONS | DESSINS PLAQUETTES AVEC APPLICATIONS |
DISEÑOS PASTILLAS CON RELACION | ZEICHNUNGEN VON BREMSBELÄGE MIT VERWENDUNGSLISTE

APRILIA	Year	A/P	XA78910 - P4 30/34 RADIAL 100mm Motard	A	
RS 250	98->03	A	CAGIVA	Year	A/P
RS 250 PISTA	04->	A	RAPTOR 650	01->05	A
PEGASO 660 STRADA	05->09	A	V-RAPTOR 650	01->05	A
DORSODURO 750 FACTORY	10->13	A	RAPTOR 1000	00->06	A
DORSODURO 750 SMV	08	A	RAPTOR 1000 XTRA	02->04	A
1000 BLUE MARLIN	02->	A	V-RAPTOR 1000	00->06	A
RST 1000 FUTURA	01->03	A	CF MOTO	Year	A/P
RSV 1000 MILLE	97->01	A	CL-X 700 ADVENTURE	20	A
RSV 1000 MILLE R	00	A	CL-X 700 HERITAGE	20	A
RSV 1000 SP	99->00	A	CL-X 700 SPORT	20	A
RSV 1000 TUONO	02->05	A	DUCATI	Year	A/P
RSV 1000 TUONO FIGHTER	03->05	A	MONSTER 400	00->06	A
RSV 1000 TUONO R	04->12	A	MONSTER 400 DARK IE	05	A
RSV 1000 TUONO V4R	11->13	A	MONSTER 600	00->01	A
RSV4 1000 FACTORY APRC STD-SE	11->12	A	MONSTER 620 (5 marce - single disk)	04	A
SL 1000 FALCO	00->04	A	MONSTER 620 (6 marce)	04	A
TUONO 1000 V4R APRC	14	A	MONSTER 620 DARK (single disk)	05	A
TUONO 1000 V4R STD APRC	11->13	A	MONSTER 620 IE	02->04	A
DORSODURO 1200	11->15	A	MULTISTRADA 620 DARK (single disk)	06	A
BENELLI	Year	A/P	SPORT 620	03->04	A
666 125	98->	A	SUPERSPORT 620	03->04	A
LEONCINO 500	16	A	MONSTER 696 (700cc)	08->14	A
CUE 756	10->	A	748	02	A
TNT 899	07->	A	748 R	00	A
TRE-K 899	07->	A	748 RACING (con antisaltellamento)	98->99	A
TORNADO 3 900	00->02	A	748 RS (con antisaltellamento)	00->01	A
TNT 1100	04	A	748 S	00->02	A
TNT 1130	05->06	A	748 SPS	98->99	A
TNT 1130 TRE-K	06->	A	748 TESTA BASSA	01	A
TNT 1130 TRE-K AMAZONAS	07->	A	MONSTER 750	00->01	A
TRE-K 1130	06->16	A	MONSTER 750 IE	02	A
BIMOTA	Year	A/P	SPORT 750	00->02	A
DB4 904	98->	A	SUPERSPORT 750	99->02	A
SB8K 1000	06->	A	SUPERSPORT 750 IE	00->02	A
SB8R 1000	97->00	A	MONSTER 795	13	A
BMW	Year	A/P	HYPERMOTARD 796 (800cc)	10->12	A
G 650 X MOTO	06->07	A	MONSTER 796 (800cc)	11->14	A
F 800 GT	13->20	A	MONSTER 800	03->04	A
F 800 R	09->14	A	SPORT 800	03->06	A
F 800 S	06->10	A	SUPERSPORT 800	03->06	A
F 800 ST	06->12	A	848 848	08->10	A
F 800 ST TOURING	11->12	A	STREETFIGHTER 848	12->15	A
R 1200 NINE-T SCRAMBLER	15->20	A	STREETFIGHTER 848 S	12	A
BRAKING	Year	A/P	SUPERBIKE (850cc) 848 EVO CORSE - EVO - HAYDEN - USA	08->12	A
Motard		A	MH 900	01->02	A
Street		A	MONSTER 900 IE	00->02	A
BREMO	Year	A/P	SPORT 900	02	A
20.6800 Gold line Road two pin		A	SUPERSPORT 900	98->99	A
220A01610 - P4 30/34 RADIAL 108mm Motard		A	SUPERSPORT 900 F.E.	98	A
220A16810 - P4 30/34 RADIAL 100mm		A	SUPERSPORT 900 IE	00->02	A
220A16820 - P4 30/34 RADIAL		A	SUPERSPORT 900 SUPERLIGHT	91->97	A
220A80210 - P4 30/34 RADIAL 108mm Motard		A	916 SPS - SPS I/II/III (996cc)	97->00	A
220A80310 - P4 30/34 RADIAL 100mm		A	MONSTER 916 S4	01->02	A
XA69510 - P4 30/34 RADIAL 108mm Motard		A	MONSTER 916 S4 FOGGY	02	A



... FD0221

... segue MOTO GUZZI	Year	A/P
NEVADA 750 S	10	A
NEVADA 750 S ANNIVERSARIO	12	A
V7 750 CAFE CLASSIC	09	A
V7 750 CLASSIC	08->12	A
V7 750 RACER	10->14	A
V7 750 SPECIAL	14	A
V7 750 SPECIAL - STONE	12->13	A
V7 750 STONE	14	A
V7 II 750 RACER ABS	15->16	A
V7 II 750 SPECIAL	15->16	A
V7 II 750 SPECIAL ABS	15->16	A
V7 II 750 STONE	14	A
V7 II 750 STONE - METAL	15->16	A
V7 II 750 STONE ABS	15->16	A
V7 II 750 STORNELLO	16->	A
V7 II 750 STORNELLO ABS	16->	A
BREVA 850	06->07	A
GRISO 850	06->07	A
NORGE 850	07->08	A
V9 850 BOBBER	16->	A
V9 850 ROAMER	16->	A
BELLAGIO 940 AQUILA NERA	07->10	A
BREVA 1100	05->07	A
CALIFORNIA 1100	06->12	A
CALIFORNIA 1100 ALLUMINIUM - TITANIUM	04->05	A
CALIFORNIA 1100 CLASSIC - TOURING	06->08	A
CALIFORNIA 1100 EV	03->05	A
CALIFORNIA 1100 EV TOURING	03->05	A
CALIFORNIA 1100 JACKAL	01->06	A
CALIFORNIA 1100 SPECIAL	01	A
CALIFORNIA 1100 SPECIAL SPORT - ALLUMINIUM	02->03	A
CALIFORNIA 1100 SPORT	01->02	A
CALIFORNIA 1100 STONE - METAL	01->05	A
CALIFORNIA 1100 VINTAGE	06->12	A
GRISO 1100	05->08	A
V 11 1100 LE MANS	01->05	A
V 11 1100 NAKED	03->05	A
V 11 1100 SCURA	02->05	A
V 11 1100 SPORT	01->05	A

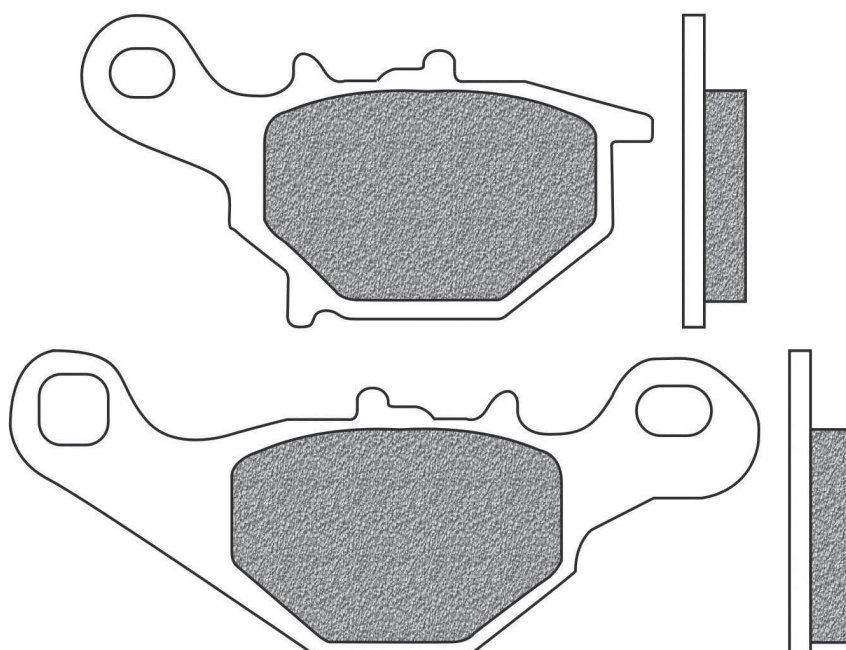
V 11 1100 SPORT ROSSO MANDELL	01->06	A
V 11 1100 SPORT SCURA	02->	A
V11 1100 BALLABIO	03->05	A
V11 1100 CAFE SPORT	03->05	A
V11 1100 COPPA ITALIA	03->05	A
BREVA 1200 V	08->09	A
GRISO 1200 8V	07->	A
NORGE 1200	06->07	A
NORGE 1200 ABS	06->07	A
NORGE 1200 GT 8V	10->13	A
SPORT 1200	06->08	A
SPORT 1200 4V	09->11	A
SPORT 1200 8V	12->13	A
SPORT 1200 8V SE	12->15	A
SPORT 1200 ABS	06->07	A
STELVIO 1200	08->11	A
STELVIO 1200 8V SE	12->16	A
STELVIO 1200 NTX	09->11	A
AUDACE 1400	15->17	A
CALIFORNIA 1400 CUSTOM	13->15	A
CALIFORNIA 1400 TOURING	13->15	A
CALIFORNIA 1400 TOURING SE	15->17	A
ELDORADO 1400	15->17	A
MGX-21 1400 FLYING FORTRESS	15->17	A
MOTO MORINI	Year	A/P
9,5 1200	06->09	A
CORSARO 1200	05->09	A
SPORT 1200	08->10	A
MV AGUSTA	Year	A/P
BRUTALE 675 (35kw)	11->13	A
BRUTALE 675 S	11->14	A
F3 675	13->14	A
F3 675 S	11->12	A
F3 675 SERIE ORO	11->13	A
BRUTALE 800	13->20	A
BRUTALE 800 DRAGSTER	14->19	A
BRUTALE 800 DRAGSTER RC	17->20	A
BRUTALE 800 DRAGSTER RR	15->17	A
BRUTALE 800 RR	15->20	A
RVS #1 800	18->20	A

BRUTALE 920	11->14	A
BRUTALE 989 S	08->09	A
BRUTALE 1090 R	10->13	A
MZ	Year	A/P
S 1000 (MUZ)	01->02	A
NORTON	Year	A/P
COMMANDO 961 SE	10->11	A
COMMANDO 961 SF SPORT	10->11	A
SUZUKI	Year	A/P
GSX 400	97->99	A
GSX 400 INAZUMA	00	A
GSX 1200 X	99->01	A
VICTORY	Year	A/P
KINGPIN 1500	04->05	A
TOURING CRUISER 1500	03->06	A
V92C CRUISER 1500	98->02	A
V92C DELUXE 1500	01->02	A
V92SC SPORT CRUISE 1500	00->02	A
VEGAS 1500	03->05	A
VEGAS 8-BALL 1500	05	A
HAMMER 1634	05->07	A
HAMMER S 1634	06->08	A
KINGPIN 1634	06->07	A
KINGPIN TOUR 1634	06->07	A
VEGAS 1634	06->07	A
VEGAS 8-BALL 1634	06->07	A
VEGAS JACKPOT 1634	06->07	A
VOXAN	Year	A/P
VB1 1000 EVO	04->	A
YAMAHA	Year	A/P
FZ 400	96	A
XJR 400	97->99	A
XTX 660	04->11	A
TRX 850	96->97	A

FD0222

D1 (mm): 76x41,4x8,2 (lxhxsp.)

D2 (mm): 99,2x39,6x7,5 (lxhxsp.)

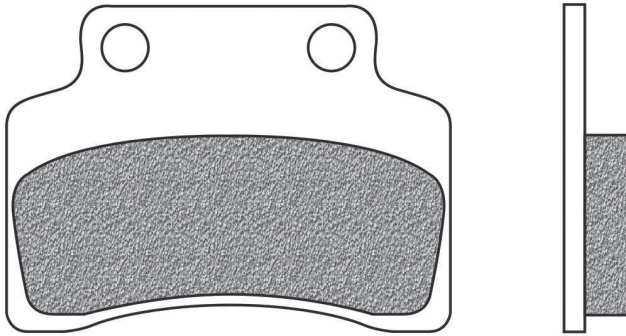
BD | BE | SD


KAWASAKI	Year	A/P
KLX 125 L	03->06	A
KMX 125	99->03	A
SUZUKI	Year	A/P
TR 50 STREET MAGIC	98->	A
RM 80	96->01	A
RM 85	02->04	A
HOKUTO 110 UG	00->	A
AN 125	95->00	A
DR Z 125 L	03->20	A
EPICURO 125 UC	98->00	A
EPICURO 125 UC	01->	P
AN 150	96->00	A
EPICURO 150 UC	99->00	A
EPICURO 150 UC	01	P

FD0223

BA

D1 (mm): 60x42,5x9,1 (lxhxsp.)



50 MATRIX ELECTRIC	10->15	A
50 MATRIX RACING SPORT	10->16	A
F-NKD 50	10->11	A
FLASH 50 ELECTRIC	10->12	A
RY8 50	07->16	A
125 FOCUS	06->08	A
125 MATRIX	06->08	A
125 MATRIX RACING SPORT	10->16	A
150 FOCUS	06->09	A
150 MATRIX	06->08	A
150 MATRIX RACING SPORT	10->12	A

KYMCO	Year	A/P
CALYPSO 50	97->99	A
HEROISM 50	97->99	A
CALYPSO 125	99	A
HEROISM 125	95->97	A
HEROISM 150	95->97	A

PEUGEOT	Year	A/P
VIVACITY 50 SIXTIES	11->	A
VIVACITY 50 SPORTLINE	11->	A
SV 80 EXECUTIVE	96->	A

CPI	Year	A/P
HUSSAR 50	03->05	A
OLIVER 50 all models	03->05	A
POPCORN 50	03->05	A

XOR 50	05->	A
IDEO 125	05->	A
SOHO 125	07->	A
STROKE 125	07->	A
XOR 125	05->	A

GENERIC	Year	A/P
IDEO 50	05->	A
ROC 50	08->	A
STROKE 50	08->	A

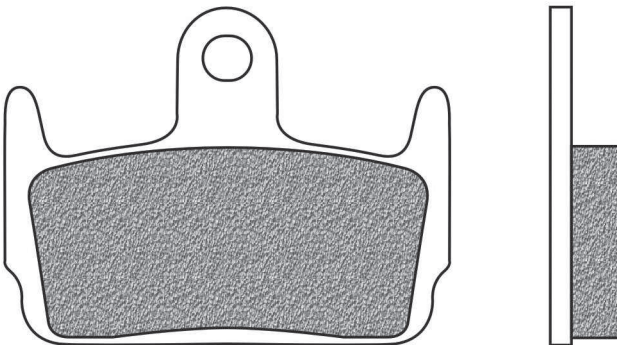
KEEWAY	Year	A/P
50 FOCUS	06->15	A
50 MATRIX	06->15	A

FD0224

BA

BE

D1 (mm): 59x45x9,4 (lxhxsp.)



HONDA	Year	A/P
X8R S 50 SZX	98->	P
X8R X 50 SZX	98->	P

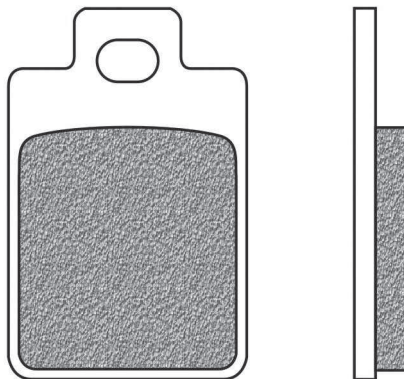
KYMCO	Year	A/P
SNIPER 50 DD	94->96	P
HEROISM 150	95->97	P

SYM	Year	A/P
JET 50 SPORT X	06->10	P

FD0225

BE

D1 (mm): 31,5x49x7 (lxhxsp.)

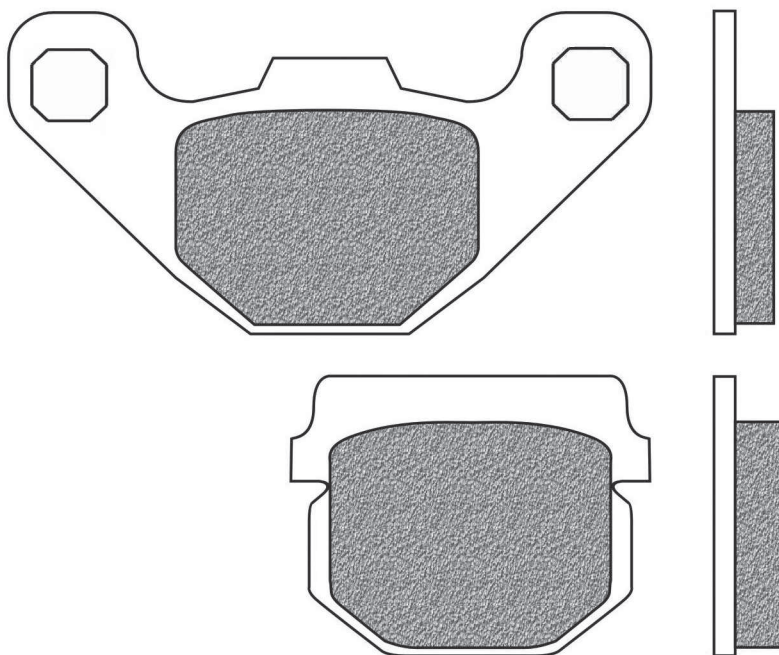


PIAGGIO	Year	A/P
SFERA 50 RST	95->	A
ZIP 50 4T	00->04	A
ZIP 50 CATALYZED	00->	A
ZIP 50 HT	00->	A
SFERA 125	95->	A

FD0226
BA | BT

D1 (mm): 85x42,5x7,8 (lhxsp.)

D2 (mm): 47,5x37x10 (lhxsp.)



APRILIA	Year	A/P
SCARABEO 50 2T	10->12	A
SCARABEO 50 4T 4V	10->12	A
SCARABEO 100 4T RESTYLING	06->12	A

GILERA	Year	A/P
STALKER 50	05->08	A
STALKER 50 NAKED	08->	A
STALKER 50 SPECIAL EDITION	07->08	A
STORM 50 EURO 2	07	A

HYOSUNG	Year	A/P
AVANTI 50	99->	A
RUSH 50	97->	A
SB 50	00->	A
SD 50	00->	A
SENSE 50	98->	A
SF 50	99->	A
SUPER CAB 50	95->97	A
SUPER CAB 50 PLUS	98->	A
CAB 100	98->	A
EZ 100	00->	A
MIDAS 110 PLUS	98->	A

KREIDLER	Year	A/P
FLORETT 50 XL	99->06	A

PEUGEOT	Year	A/P
KISBEE 50	10->	A
KISBEE 50 RS	11->	A
TREKKER 50 OFFROAD	99->	A

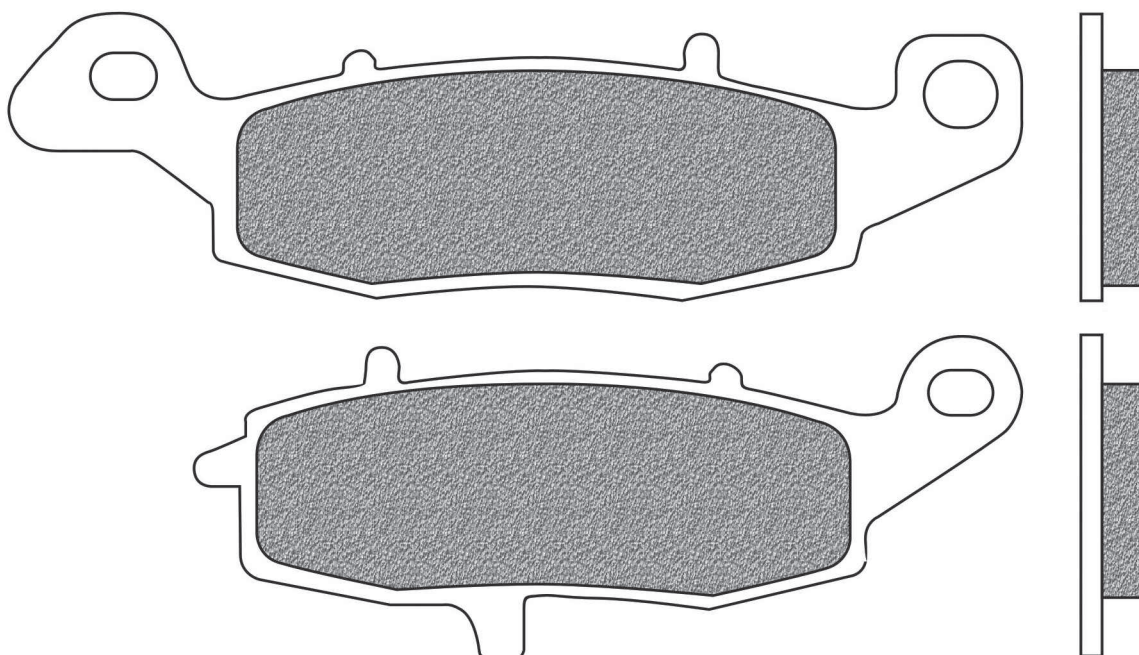
ADLY	Year	A/P
PANTHER 50	01->	A
SILVER FOX 50	06->	A
SUPER SONIC 50	00->	A
SUPER SONIC 50 RS	06->	A/P
THUNDERBIKE 50	97->	A

PANTHER 100	01->	A
RS 100 SUPER SONIC	01->	A
SILVER FOX 100	06->	A
THUNDERBIKE 100	01->	A/P
SUPER SONIC 125	01->	A
THUNDERBIKE 125	01->	A/P

FD0227
B4R | BT | SP | TS

D1 (mm): 134x38x8,5 (lhxsp.)

D2 (mm): 110x42,5x8,5 (lhxsp.)



CF MOTO	Year	A/P
NK 650	12->13	A
TR 650	12->13	A

KAWASAKI	Year	A/P
BJ 250 F1/F2	02->03	A

ZR 250 BALIUS II	02	A
ZRX 400	96->97	A
ZX 400 R	11->	A
ER - 6F 650	06->16	A
ER - 6F 650 ABS	06->16	A

ER - 6N 650	06->16	A
ER - 6N 650 ABS	06->16	A
KLE 650 VERSYS	07->14	A
KLE 650 VERSYS ABS	07->14	A

...segue

... **FD0227**

... segue KAWASAKI	Year	A/P
W 650 (EJ 650)	99->06	A
Z 700	04->	A
Z 750 J (ZR)	04->06	A
Z 750 S (ZR)	05->07	A
ZR 750 ZEPHYR	96->98	A
ZR-7 750	99->04	A / P
ZR-7S 750	01->04	A / P
VN 800 DRIFTER	99->04	P
W 800 ABF (EJ 800)	11->16	A
W 800 CAFE / STREET (EJ 800)	19->20	A
KLV 1000	04->07	A
GPZ 1100 (ZX 1100)	95->99	A
ZR 1100 ZEPHYR (ZR 1100 A)	96->98	A
ZR 1100 ZEPHYR RS	02	A
VN 1500 CLASSIC FI	00->	A
VN 1500 CLASSIC TOURER	98->99	A
VN 1500 CLASSIC TOURER FI	00->04	A
VN 1500 DRIFTER	99->04	P
VN 1500 NOMAD	00->03	A / P
VN 1600 CLASSIC	03->08	A

SUZUKI	Year	A/P
VN 1600 CLASSIC TOURER	05->08	A / P
VN 1700 CLASSIC	09->	A
VN 1700 CLASSIC TOURER	09->12	A
VN 2000 CLASSIC	08->09	P
RV 125 VAN VAN	02->12	A
RV 200 K2/K3	02->03	A
RV 200 VAN VAN	16->19	A
GSX 250 (ZR 250C)	00->05	A
SV 400	98	A
SV 400	99->05	A
GS 500	96->03	A
GS 500 F	04->08	A
GSF 600 BANDIT	00->04	A
GSX 600 F	98->06	A
DL 650 V STROM	04->20	A
DL 650 V STROM X	04->12	A
DL 650 V STROM XT	15	A
GSF 650 BANDIT	05->06	A
GSF 650 BANDIT ABS	05->06	A
SFV 650 GLADIUS	09->16	A

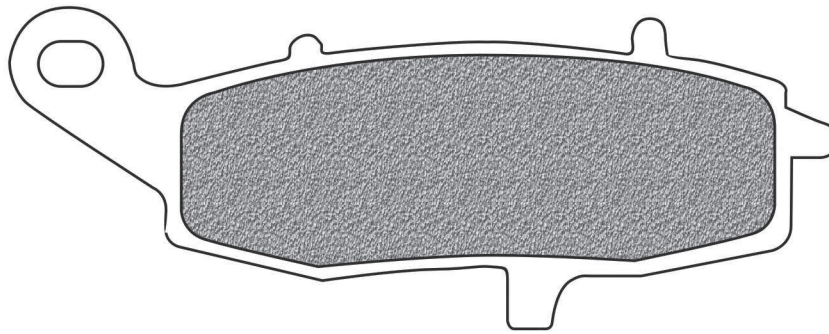
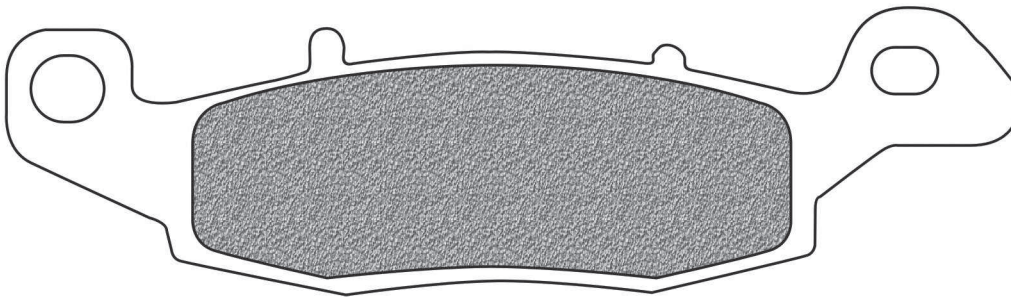
SV 650	99->18	A
SV 650 ABS	07->18	A
SV 650 S	99->18	A
SV 650 X	18->19	A
XF 650 FREEWIND	97->02	A
GSR 750	11->16	A
GSX 750 F	98->06	A
GSX-S 750	15->16	A
C 800 INTRUDER	05->12	A
M 800 INTRUDER	05->12	A
VL 800 INTRUDER LC VOLUSIA	01->04	A
VZ 800 MARAUDER	97->03	A
DL 1000 V STROM	02->13	A
GSX 1000 G	96->	A
GSX 1100	96->	A
C 1500 INTRUDER	05->10	A
M 1500 INTRUDER	09->18	A
VL 1500 C INTRUDER	05->09	A
VL 1500 INTRUDER	02->03	A

FD0228

D1 (mm): 134x38x8,5 (lhxsp.)

D2 (mm): 110x42,5x8,5 (lhxsp.)

B4R | BT | SP | TS



CF MOTO	Year	A/P
NK 650	12->13	A
TR 650	12->13	A

KAWASAKI	Year	A/P
VN 400 CLASSIC	99->	A
ZRX 400	96->97	A
ZX 400 R	11->	A
ER-5 500 TWISTER	01->07	A
ER - 6F 650	06->16	A
ER - 6F 650 ABS	06->16	A
ER - 6N 650	06->16	A
ER - 6N 650 ABS	06->16	A
KLE 650 VERSYS	07->14	A
KLE 650 VERSYS ABS	07->14	A
KLR 650	95->04	A
Z 700	04->	A

Z 750 J (ZR)	04->06	A
Z 750 S (ZR)	05->07	A
ZR 750 ZEPHYR	96->98	A
ZR-7 750	99->04	A
ZR-7S 750	01->04	A
VN 800 CLASSIC	96->06	A
VN 800 DRIFTER	99->04	A
VN 900 CLASSIC	06->16	A
VN 900 CLASSIC SE	11->19	A
VN 900 CUSTOM	07->20	A
KLV 1000	04->07	A
GPZ 1100 (ZX 1100)	95->99	A
ZR 1100 ZEPHYR (ZR 1100 A)	96->98	A
ZR 1100 ZEPHYR RS	02	A
VN 1500 CLASSIC FI	00->	A
VN 1500 CLASSIC TOURER	98->99	A
VN 1500 CLASSIC TOURER FI	00->04	A

VN 1500 D1/D2 CLASSIC	96->98	A
VN 1500 DRIFTER	99->04	A
VN 1500 NOMAD	00->03	A
VN 1600 CLASSIC	03->08	A
VN 1600 CLASSIC TOURER	05->08	A
VN 1700 CLASSIC	09->	A
VN 1700 CLASSIC TOURER	09->12	A

SUZUKI	Year	A/P
GSF 250 BANDIT (GJ77A)	95->00	A
TU 250 GRASS TRACKER - BIG BOY	00->01	A
TU 250 X VOLTY	99->00	A
SV 400	99->05	A
GSF 600 BANDIT	00->04	A
GSX 600 F	98->06	A
DL 650 V STROM	04->20	A
DL 650 V STROM X	04->12	A

FIGURATO PASTIGLIE CON APPLICAZIONI | BRAKE PADS DRAWINGS AND APPLICATIONS | DESSINS PLAQUETTES AVEC APPLICATIONS
DISEÑOS PASTILLAS CON RELACION | ZEICHNUNGEN VON BREMSBELÄGE MIT VERWENDUNGSLISTE



... FD0228

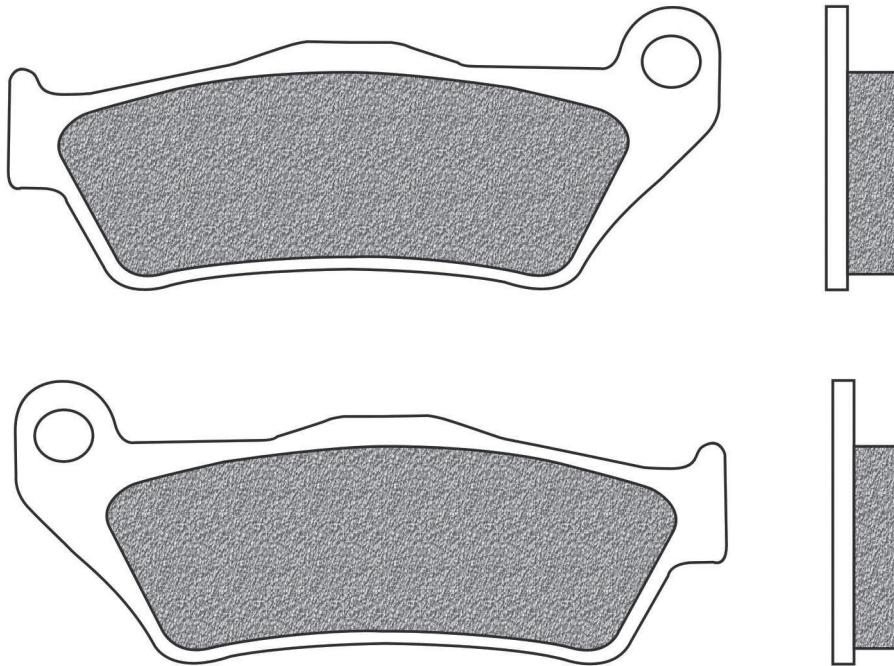
... segue SUZUKI	Year	A/P						
DL 650 V STROM XT	15	A	SV 650 X	18->19	A	M 1500 INTRUDER	09->18	A
GSF 650 BANDIT	05->06	A	GSR 750	11->16	A	VL 1500 C INTRUDER	05->09	A
GSF 650 BANDIT ABS	05->06	A	GSX 750 F	98->06	A	VL 1500 INTRUDER	02->03	A
SFV 650 GLADIUS	09->16	A	GSX-S 750	15->16	A			
SV 650	99->18	A	DL 1000 V STROM	02->13	A			
SV 650 ABS	07->18	A	GSX 1000 G	96->	A			
SV 650 S	99->18	A	GSX 1100	96->	A			
			C 1500 INTRUDER	05->10	A			

FD0229

BT | **TS**

D1 (mm): 94x37,5x10,1 (lxhvsp.)

D2 (mm): 94x37,5x8,6 (lxhvsp.)



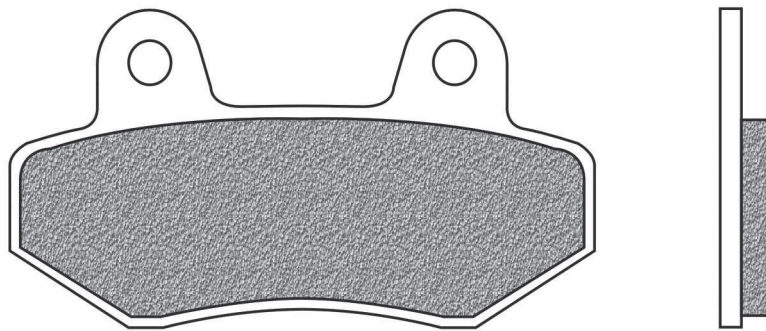
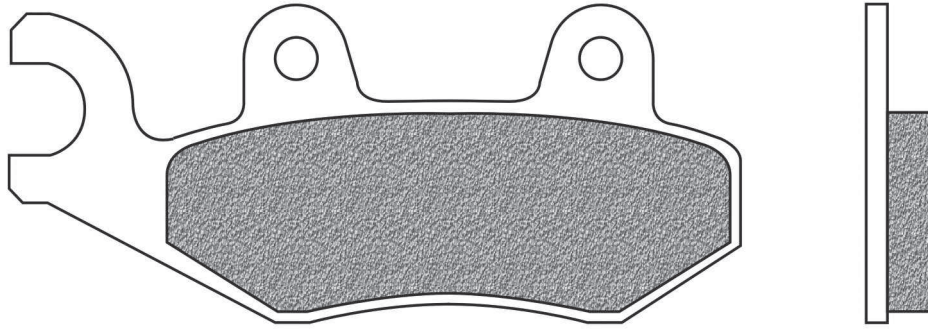
BMW	Year	A/P						
R 850 C	97->01	P	R 1150 RS	00->05	P	K 1300 GT	09->11	P
R 850 GS	96->07	P	R 1150 RT	00->06	P	K 1300 GT EE	10->11	P
R 850 R (21_0097 - 259R)	94->01	P	HP2 1200 MEGAMOTO	07->10	P	K 1300 GT SE	10->11	P
R 850 R (21_0145 - R28)	99->07	P	K 1200 R	05->11	P	K 1300 R	09->15	P
R 850 R ROADSTER	95->00	P	K 1200 S	05->08	P	K 1300 R CARBON	12	P
R 850 RT (21_0145 - R22)	00->06	P	R 1200 C	96->02	P	K 1300 R DYNAMIC	11->15	P
R 850 RT INTEGRAL ABS	01->04	P	R 1200 C CLASSIC	03->04	P	K 1300 S	09->15	P
R 900 RT	05->13	P	R 1200 C I/M	03->04	P	K 1300 S HP	12	P
S 1000 XR	15->19	P	R 1200 C INDEPENDENT	03->	P	K 1300 S SPORT	12	P
R 1100 GS	93->01	P	R 1200 C MONTAUK	04->	P			
R 1100 R	93->01	P	R 1200 CI	00->03	P			
R 1100 RT	94->01	P	R 1200 GS	03->12	P			
R 1100 S	96->05	P	R 1200 GS ADVENTURE	06->13	P			
R 1100 S ABS	00->06	P	R 1200 GS TRIPPLE BLACK	11->	P			
R 1100 S BOXER CUP REPLICA	03->06	P	R 1200 MONTAUK	02->04	P			
R 1150 GS	00->03	P	R 1200 R	06->14	P			
R 1150 GS ADV	01->05	P	R 1200 RS	14->18	P			
R 1150 R	99->06	P	R 1200 RT	03->13	P			
R 1150 R ROCKSTER	02->06	P	R 1200 S	04->07	P			
			R 1200 ST	03->07	P			

FD0230

BA | BT

D1 (mm): 97x42x9 (lxh x sp.)

D2 (mm): 77,5x42x7 (lxh x sp.)



FIGURATO PASTIGLIE CON APPLICAZIONI | BRAKE PADS DRAWINGS AND APPLICATIONS | DESSINS PLAQUETTES AVEC APPLICATIONS |
 DISEÑOS PASTILLAS CON RELACION | ZEICHNUNGEN VON BREMSBELÄGE MIT VERWENDUNGSLISTE

AEON	Year	A/P
URBAN 125	11->13	A
ELITE 250	11->	A
URBAN 350	11->	A

HONDA	Year	A/P
CA 125 REBEL	95->97	A
CMX 250 C REBEL	96->00	A

KREIDLER	Year	A/P
ENDURO 125	07->	A
SUPERMOTO 125	07->	A

KYMCO	Year	A/P
LIKE 50 2T	09->	A

LIKE 50 4T	09->	A
VITALITY 50	04->09	A
VITALITY 50 4T	04->09	A
YUP 50	02->09	A
LIKE 125	09->16	A
MOVIE 125 EURO 3	06->09	A
VIVIO 125	00->03	A
XCITING 125 I	12->14	A
STRYKER OFF 150	01->	A
VIVIO 150	01->02	A
LIKE 200 i	09->16	A

MZ	Year	A/P
SM 125	02->	A
SX 125	02->	A

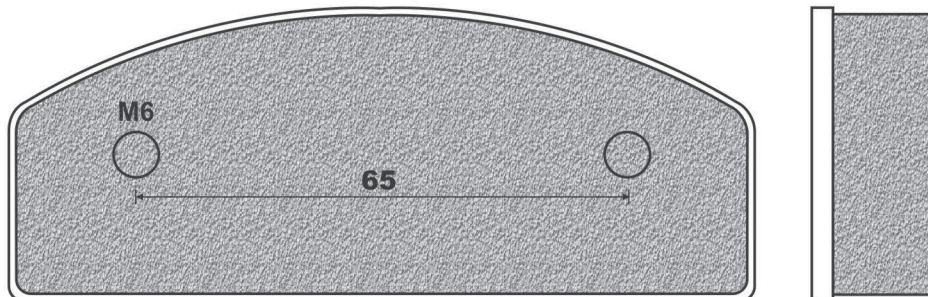
TGB	Year	A/P
203 50	05->	A
AKROS 50 TEC 5	99->	A
APOLLO 50	99->	A
FIRE 50	03->	A
SKY 50	03->	A
APOLLO 90	99->	A

YAMAHA	Year	A/P
YBR 125 ED (Brasil)	06->08	A

FD0231

K1 | K6

D1 (mm): 99x39x16,8 (lxh x sp.)



ENGLISH KART	Year	A/P
interasse fori 65 mm diametro M6 th 16,8		P

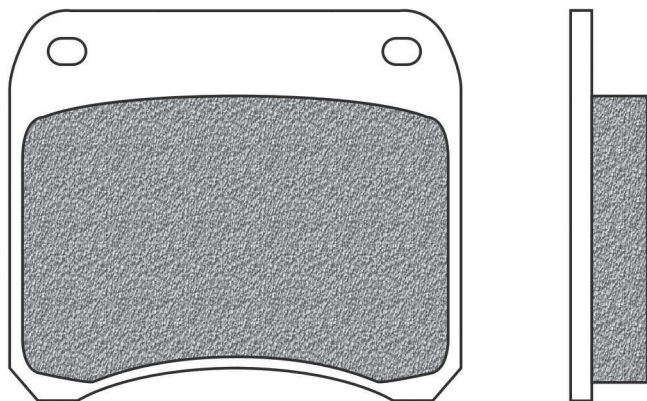
SWIFT	Year	A/P
interasse fori 65 mm diametro M6 th 16,8		P



FD0232

BT

D1 (mm): 60x52x10 (lhxsp.)

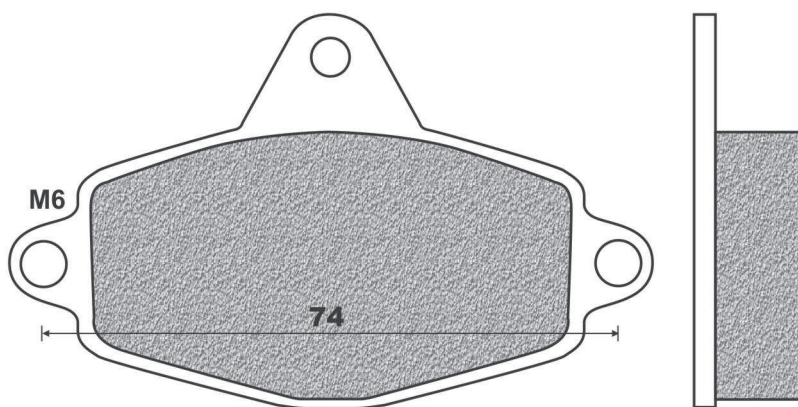


LOCKEED	Year	A/P
Racing (60x52x10)		A

FD0235

K1

D1 (mm): 85x52x14 (lhxsp.)



CRG	Year	A/P
interasse fori 74 mm diametro M6		P

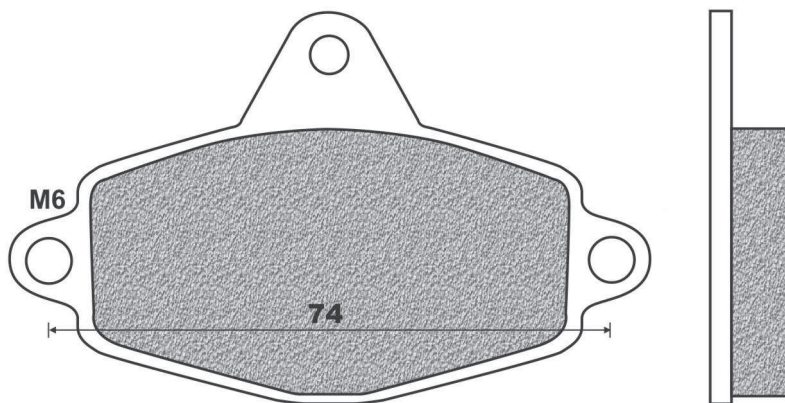
LGK	Year	A/P
interasse fori 74 mm diametro M6		P

RIGHETTI & RIDOLFI	Year	A/P
interasse fori 74 mm diametro M6		P

FD0236

K1

D1 (mm): 85x52x10 (lhxsp.)



CRG	Year	A/P
interasse fori 74 mm diametro M6		A

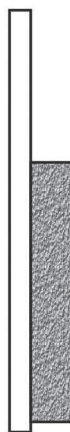
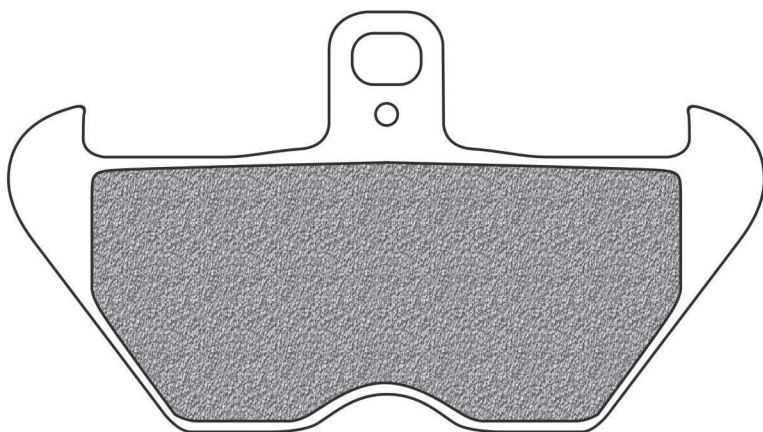
LGK	Year	A/P
interasse fori 74 mm diametro M6		A

RIGHETTI & RIDOLFI	Year	A/P
interasse fori 74 mm diametro M6		A

FD0237

BT | TS

D1 (mm): 100x55,5x8,4 (lxhxsp.)

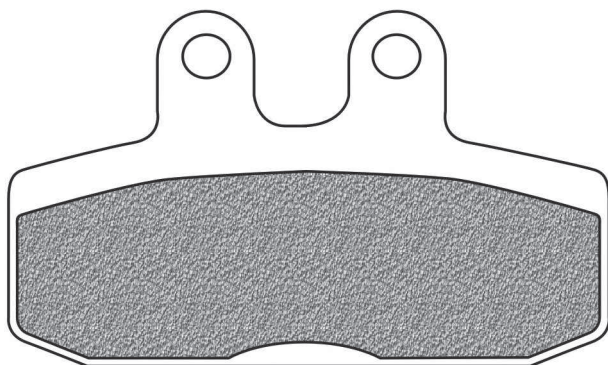


BMW	Year	A/P
R 850 C	97->01	A
R 850 C AVANTGARDE	01	A
R 850 GS	96->07	A
R 850 R (21_0097 - 259R)	94->01	A
R 850 R (21_0145 - R28)	99->01	A
R 850 RT (21_0097 - 259T)	96->01	A
R 100 R 1000	91->95	A
R 100 R 1000 MYSTIK	93->96	A
K 1100 LT	89->99	A
K 1100 LT / SE	92->00	A
K 1100 RS	92->96	A
R 1100 GS	93->01	A
R 1100 R	93->01	A
R 1100 RS	92->01	A
R 1100 RT	94->01	A
R 1100 S	96->00	A
R 1100 S BOXER CUP REPLICA	03->06	A
R 1150 GS	00->01	A
K 1200 LT	97->08	A
K 1200 RS	96->00	A
R 1200 C	96->02	A
R 1200 CI	00->03	A

FD0238

BA | BE

D1 (mm): 79x47x7,4 (lxhxsp.)

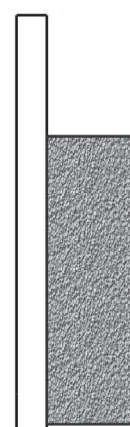
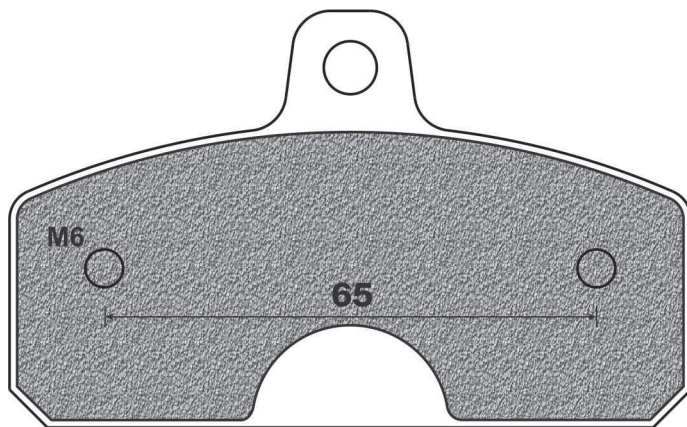


HONDA	Year	A/P
BALI 50	93->	A
SJ 50 BALI	93->	A
SJ 100 BALI - EX	98->	A
CA 125 REBEL	98->	A
XL 125 R PARIS DAKAR	85->	A

FD0239

K1 | K6

D1 (mm): 90x55x16 (lxhxsp.)



BIREL	Year	A/P
interasse fori 65 mm diametro M6 th 16la		P

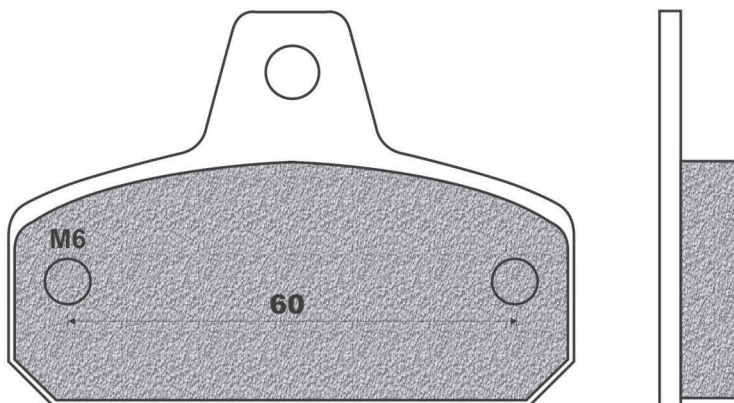
FIGURATO PASTIGLIE CON APPLICAZIONI | BRAKE PADS DRAWINGS AND APPLICATIONS | DESSINS PLAQUETTES AVEC APPLICATIONS |
DISEÑOS PASTILLAS CON RELACION | ZEICHNUNGEN VON BREMSBELÄGE MIT VERWENDUNGSLISTE



FD0240

K1

D1 (mm): 75x52x10 (lhxsp.)



BIREL	Year	A/P
interasse fori 60 mm diametro M6 th 10		A

DFM	Year	A/P
interasse fori 60 mm diametro M6		A

MBA	Year	A/P
interasse fori 60 mm diametro M6		A

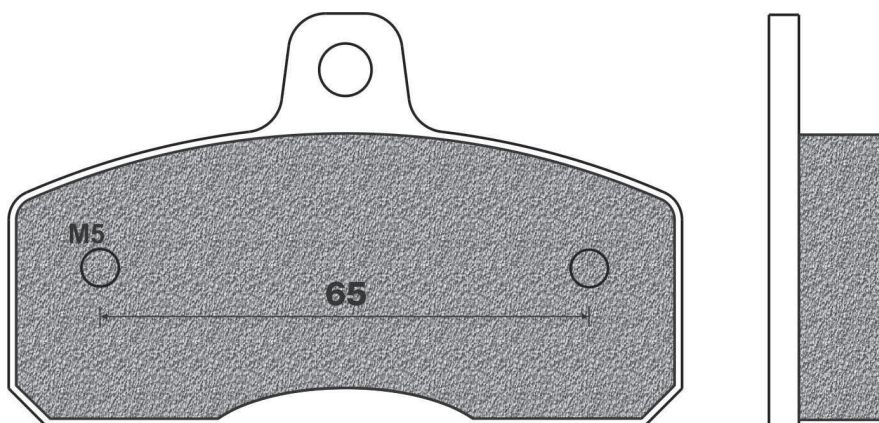
TIBIKART	Year	A/P
interasse fori 60 mm diametro M6		A

FD0241

K1

K5

D1 (mm): 89,5x55x16 (lhxsp.)



HAASE	Year	A/P
interasse fori 65 mm diametro M5		P

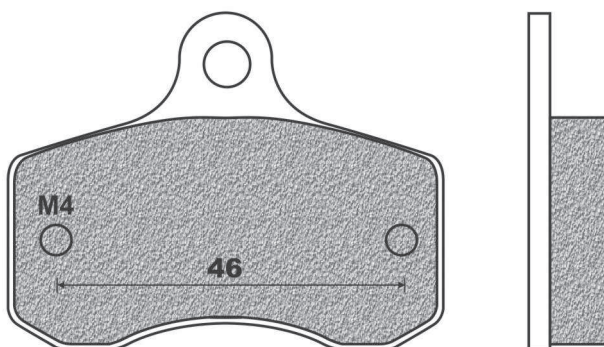
TONY KART	Year	A/P
interasse fori 65 mm diametro M5 (old type)		P

FD0242

K1

K6

D1 (mm): 57,5x45x10 (lhxsp.)



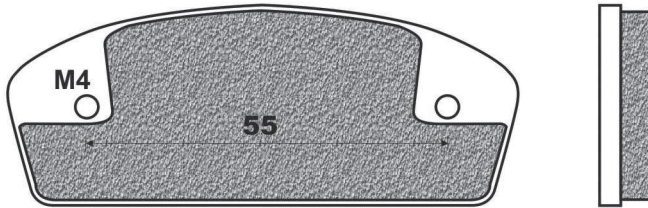
INTREPID	Year	A/P
interasse fori 46 mm diametro M4		A

TONY KART	Year	A/P
interasse fori 46 mm diametro M4 th 10		A

FD0243

K1

D1 (mm): 67,5x26,5x7 (lxhvsp.)



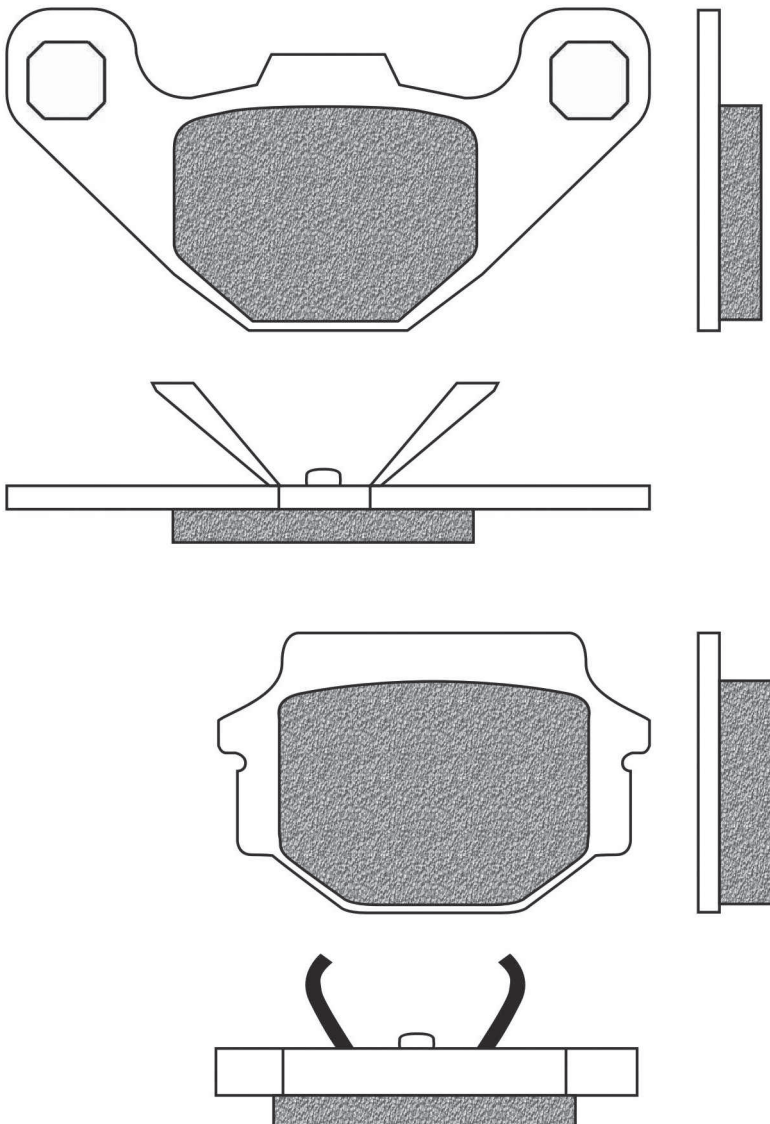
TONY KART	Year	A/P
interasse fori 55 mm diametro M4 th 7		A

FD0244

BT

D1 (mm): 85x42,5x8 (lxhvsp.)

D2 (mm): 56x37x10,2 (lxhvsp.)

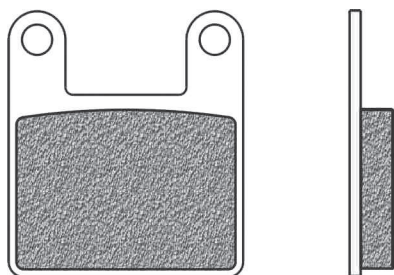


APRILIA	Year	A/P
RX 125	91->94	P

FIGURATO PASTIGLIE CON APPLICAZIONI | BRAKE PADS DRAWINGS AND APPLICATIONS | DESSINS PLAQUETTES AVEC APPLICATIONS |
DISEÑOS PASTILLAS CON RELACION | ZEICHNUNGEN VON BREMSBELÄGE MIT VERWENDUNGSLISTE

FD0245
BD

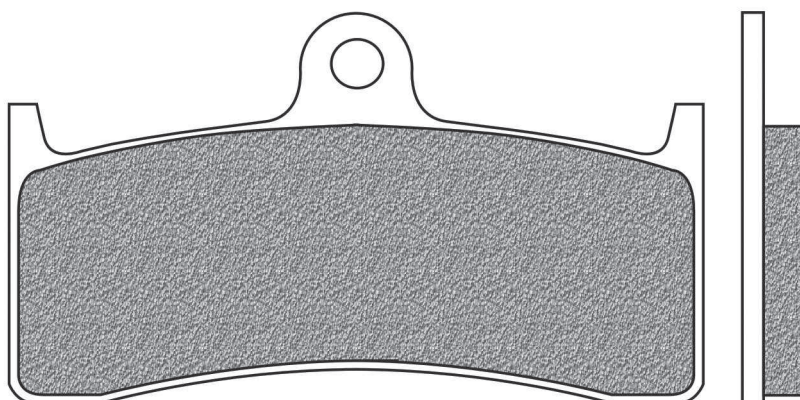
D1 (mm): 31x35x5,7 (lhxsp.)


CS RACING

Year	A/P
Minimoto (31x35x5,7)	A

FD0246
BH
SH
TS

D1 (mm): 92x52x8,5 (lhxsp.)



S1 1200 WHITELIGHTNING	98->02	A
S3 1200 THUNDERBOLT	98->02	A
X1 1200 LIGHTNING	01->02	A

HHI

Year	A/P
6 Piston	A

HONDA

Year	A/P	
CB 1300 SF	98->00	A

KAWASAKI

Year	A/P	
ZX-7RR 750 NINJA	96->02	A
ZRX 1100	96->00	A

MV AGUSTA

Year	A/P	
BRUTALE 750 S	03->05	A
BRUTALE 750 SERIE ORO	03->05	A
F4 750 S - S 1+1	98->04	A
F4 750 SERIE ORO	98->04	A
F4 1000	04->06	A

YAMAHA

Year	A/P	
YZ-F 750 R7 (OW02) race version	99	A

BRACING

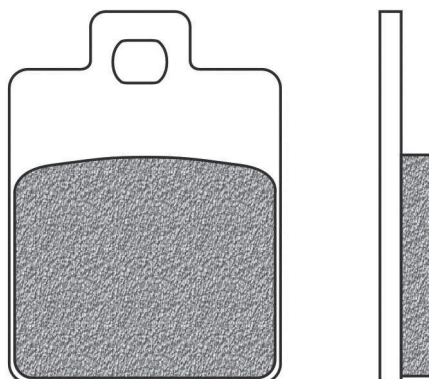
Year	A/P
Harley front	A

BUELL

Year	A/P	
M2 1200 CYCLONE	98->02	A
RS 1200 X 1	01->	A
S1 1200 LIGHTNING	98->02	A

FD0249
BA
BE
SE

D1 (mm): 36x49x7 (lhxsp.)


GILERA

Year	A/P	
RUNNER 50 PURE JET	02->06	P
RUNNER 50 PURE JET ST	08->	P
RUNNER 50 SP	98->06	P
RUNNER 50 SP RACE	06	P
RUNNER 50 SP SC	06->07	P
RUNNER 50 SP ST	08->	P
STALKER 50 (post freno a tamburo)	97->04	P
RUNNER 125 FX - FXR	97->02	P
RUNNER 125 SP	99->	P
RUNNER 180 FXR	98->	P
RUNNER 180 SP	99->	P
RUNNER 200 FX SP	98->01	P
RUNNER 200 VX / VXR 4T	02->04	P
RUNNER 200 VXR 4T (pinza Heng Tong)	01->06	P
FUOCO 500	07->08	A

PEUGEOT

Year	A/P	
TWEET 50 EVO RS	14->	P
TWEET 50 RS	10->13	P
TWEET 125 EVO	14->	P

CPI

Year	A/P	
GTR 50	02->05	P
GTS 50	02->03	P
GTR 125	02	P

GTS 125

GTS 125	02->03	P
GTR 200	02	P
GTS 200	02->03	P

... FD0249

... segue PEUGEOT	Year	A/P
TWEET 125 EVO RS	14->	P
TWEET 125 RS	10->13	P
TWEET 150 RS	10->13	P

PIAGGIO	Year	A/P
LIBERTY 50 2T	97->	A
LIBERTY 50 4T	00->01	A
LIBERTY 50 RST 2T	04->	A
LIBERTY 50 RST 4T	04->	A
NRG 50 EXTREME	99->00	P
NRG 50 MC2 DD	96->98	P
NRG 50 MC3	01->04	P
NRG 50 POWER DD	05->06	P
NRG 50 PUREJET	02->04	P
VESPA 50 ET2	97->	A
VESPA 50 ET2 4T	00->01	A
VESPA 50 ET2 INIEZIONE	99->	A
VESPA 50 ET4	99->	A
VESPA 50 LX 2T	05->	A
VESPA 50 LX 2T TOURING	10	A
VESPA 50 LX 4T	05->	A
VESPA 50 LX 4T 4V TOURING	10	A
ZIP 50 RST	96->99	A
ZIP 50 SP	96->	A
FREE 100	01->	A
ZIP 100 4T	06->10	A
LIBERTY 125	98->02	A
LIBERTY 125 4T	06->07	A
LIBERTY 125 4T EURO3	07->08	A
LIBERTY 125 4TS PORT EURO3	06->08	A

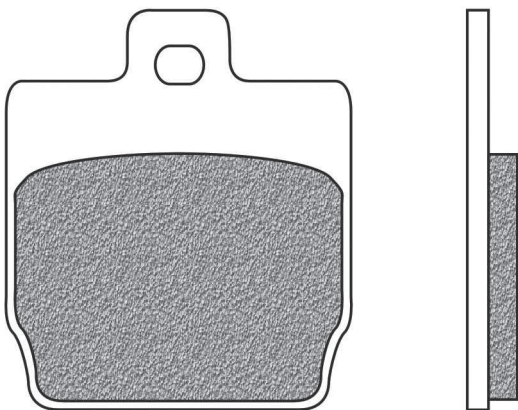
LIBERTY 125 RST	04->05	A
LIBERTY 125 RST PTT	05->11	A
LIBERTY 125 SPORT	06	A
MP3 125	06->08	A
MP3 125 IBRIDO	09->12	A
MP3 125 IE	08->09	A
MP3 125 IE TOURING	11->12	A
MP3 125 YOURBAN ERL	11->13	A
SFERA 125 4T	95->97	A
SUPER HEXAGON 125 GTX	->00	P
VESPA 125 ET4	96->02	A
VESPA 125 LX	05->06	A
VESPA 125 LX EURO 3	06->07	A
VESPA 125 LX IE EURO3	09->10	A
VESPA 125 LX TOURING	10->	A
VESPA 125 LXV 4T EURO 3	06->09	A
VESPA 125 LXV 4T NAVY EURO 3	07->08	A
VESPA 125 LXV IE 4T	10->13	A
VESPA 125 S 4T IE & COLLEGE	09->10	A
ZIP 125 4T	00->02	A
LIBERTY 150 4T	08	A
LIBERTY 150 4T SPORT	08	A
LIBERTY 150 LE	00->02	A
VESPA 150 ET4	96->02	A
VESPA 150 LX	05->06	A
VESPA 150 LX EURO 3	06->07	A
VESPA 150 LX IE EURO 3	09->11	A
VESPA 150 LX TOURING	10->	A
VESPA 150 S 4T IE & COLLEGE	09->10	A
HEXAGON 180 GTX 4T	98->00	P
SUPER EXAGON 180 GTX	->00	P

LIBERTY 200	06	A
LIBERTY 200 4T EURO3	07->08	A
LIBERTY 200 4T SPORT EURO 3	06->07	A
LIBERTY 200 RST	04->05	A
LIBERTY 200 SPORT	06	A
MP3 250	06->08	A
MP3 250 LT	08->09	A
MP3 250 MIC	08->09	A
MP3 300 4T 4V IE ERL IBRIDO	10->13	A
MP3 300 4T 4V IE LT IBRIDO	10->11	A
MP3 300 IE LT	10->11	A
MP3 300 IE LT - IE LT SPORT	11->13	A
MP3 300 IE LT TOURING	11->13	A
MP3 300 IE MIC	10->11	A
MP3 300 IE TOURING	11->12	A
MP3 300 YOURBAN ERL	11->15	A
MP3 300 YOURBAN LT ERL	11->12	A
MP3 400	07->08	A
MP3 400 IE LT - IE LT SPORT	08->10	A
MP3 400 IE LT TOURING	11	A
MP3 400 LT	09->	A
MP3 400 MIC	08->10	A
MP3 400 RL TOURING	11	A
MP3 500 LT SPORT - BUSINESS	11->13	A
MP3 500 RL SPORT - BUSINESS	11->12	A

SYM	Year	A/P
SYMPHONY 125 S	10->17	P
SYMPHONY 125 SR	11->17	P
SYMPHONY 125 ST	15->19	P
FIDDLE III 200	16	P

FD0251

D1 (mm): 46x53x6,4 (lxhxsp.)

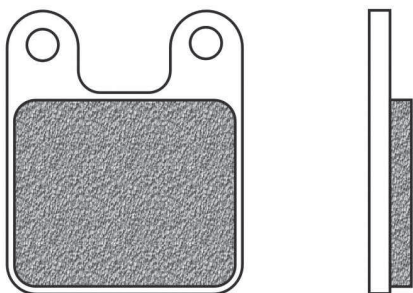


ITALJET	Year	A/P
DRAGSTER 125	20	P
JINCHENG	Year	A/P
JC 250	06->	A
MALAGUTI	Year	A/P
F 12 R 50 PHANTOM LC	01->05	P
MBK	Year	A/P
NITRO 50	97->	P
YQ 50 NITRO	97->03	P
QUADRO	Year	A/P
3 350	16	A
4 350	16	A
YAMAHA	Year	A/P
AEROX 50 NS	13->19	P
AEROX LC 50 YQ	97->12	P
SLIDER 50	00->	A

BA | BE

FD0252

D1 (mm): 31x38x5,5 (lxhxsp.)

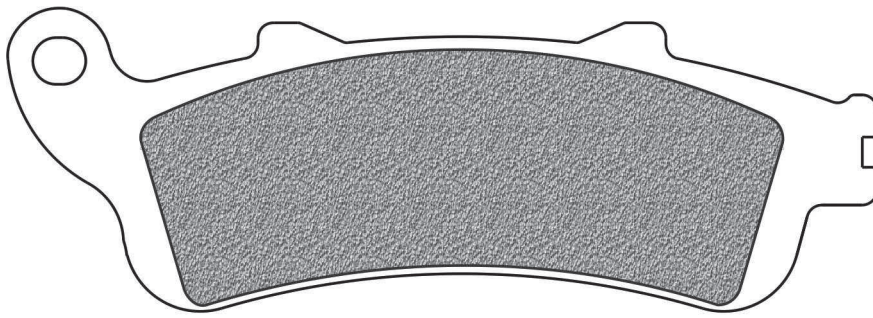


CS RACING	Year	A/P
Minimoto (31x38x5,7)		A
POLINI	Year	A/P
Minimoto (31x38x5,7)		A
CROSS 50	99->	A/P

BD | SD

FD0253
BA | BE | BT | SE | SP | TS

D1 (mm): 115x40x7,6 (lhxhsp.)



HONDA	Year	A/P
PANTHEON 125 FES	98->02	A
PANTHEON 150 FES	98->02	A
FORESIGHT 250 FES	97->98	A
FORZA 250 NSS	00->04	A
JAZZ 250	01->04	A
NSS 250	00->04	A
REFLEX 250	00->	A

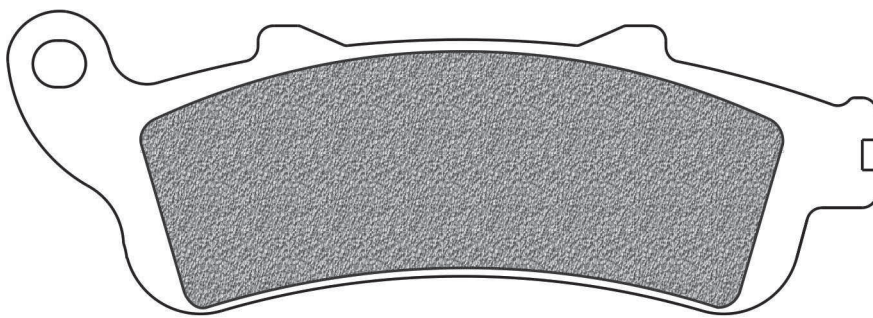
NTV 650 DEAUVILLE	02->05	A/P
VFR 800 FI	98->02	A
VFR 800 V-TECH	02->05	A
XL 1000 V VARADERO	99->02	A
XLV 1000 VARADERO	03->06	A
CB 1100 HORNET	99->	A
CB 1100 SF X ELEVEN (X11)	00->03	A
CBR 1100 XX BLACKBIRD	97->98	A

CBR 1100 XX SUPERBLACKBIRD	99->08	A
ST 1100 PAN EUROPEAN ABS	96->02	A
VTX 1800	02->12	A

PEUGEOT	Year	A/P
LOOXOR 125	02->	A

FD0254
BA | BE | BT | SE | TS

D1 (mm): 115x40x8,3 (lhxhsp.)



HONDA	Year	A/P
SILVER WING 400 FJS	06->08	A
SILVER WING 600 FSC	01->07	A
NT 700 DEAUVILLE ABS	07->12	P
NT 700 V DEAUVILLE	06->12	P
NT 700 V VARADERO - ABS	10->	P
VFR 800	06->13	P
XL 1000 V VARADERO	99->02	P

ST 1300 PAN EUROPEAN	02->07	A
VT 1300 FURY ABS	10->18	P
GL 1800 GOLDWING	01->17	A
GL 1800 GOLDWING F6B	13->17	A

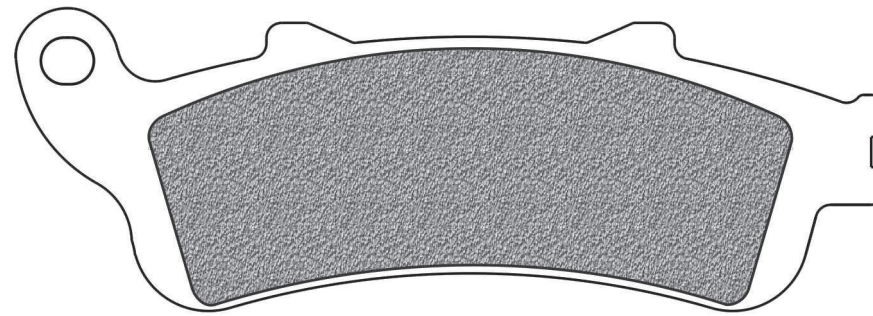
KAWASAKI	Year	A/P
EN 650 VULCAN S	15->20	A
EN 650 VULCAN S CAFE	17->19	A

EN 650 VULCAN SE	17->19	A
VN 650 VULCAN S	15->	A

VICTORY	Year	A/P
VISION 1731 (all models)	08->17	A

FD0255
BA | BE | BT | SE | TS

D1 (mm): 115x40x9,4 (lhxhsp.)



HONDA	Year	A/P
PANTHEON 125 FES	03->07	A
PANTHEON 150 FES	03->07	A
FORESIGHT 250 FES	99->07	A
VFR 800 FI	98->02	P
VFR 800 V-TECH	02->05	P
XLV 1000 VARADERO	03->11	P

XLV 1000 VARADERO ABS	04->11	P
CB 1100 HORNET	99->	P
CB 1100 SF X ELEVEN (X11)	00->03	P
CBR 1100 XX BLACKBIRD	97->98	P
CBR 1100 XX SUPERBLACKBIRD	99->08	P
ST 1100 PAN EUROPEAN ABS	96->02	P
ST 1300 PAN EUROPEAN	02->18	P

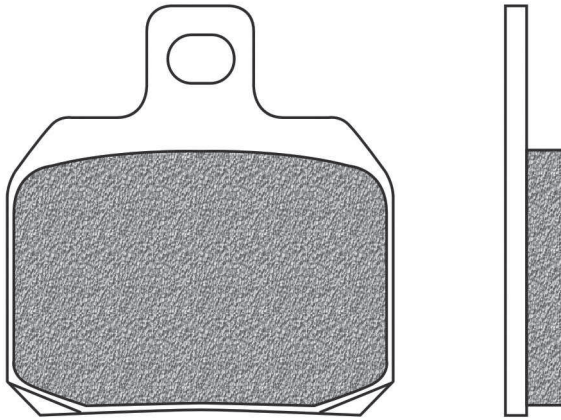
GL 1800 GOLDWING	01->17	P
GL 1800 GOLDWING F6B	13->17	P
VTX 1800	02->12	P

PEUGEOT	Year	A/P
SV 250	01->	A

FD0256

D1 (mm): 51x54x7,5 (lxhxsp.)

BA | BE | BT | SE | TS



FIGURATO PASTIGLIE CON APPLICAZIONI | BRAKE PADS DRAWINGS AND APPLICATIONS | DESSINS PLAQUETTES AVEC APPLICATIONS |
DISEÑOS PASTILLAS CON RELACION | ZEICHNUNGEN VON BREMSBELÄGE MIT VERWENDUNGSLISTE

APRILIA	Year	A/P
RS 50	06->10	A
RS 660	20	P
1000 BLUE MARLIN	02->	P
ETV 1000 CAPONORD	01->03	P
ETV 1000 CAPONORD ABS	04->08	P
ETV 1000 CAPONORD RALLY RAID	04->08	P
RSV 1000 MILLE	97->03	P
RSV 1000 MILLE NERA	04	P
RSV 1000 MILLE R	00->07	P
RSV 1000 MILLE R FACTORY	04->05	P
RSV 1000 SP	99->00	P
RSV 1000 TUONO	02->05	P
RSV 1000 TUONO FIGHTER	03->05	P
RSV 1000 TUONO R	03->12	P
RSV 1000 TUONO R FACTORY	06->12	P
RSV 1000 TUONO V4R	11->13	P
RSV4 1000 FACTORY	09->10	P
RSV4 1000 FACTORY ABS	13	P
RSV4 1000 FACTORY APRC	11->12	P
RSV4 1000 FACTORY APRC R - ABS	11->13	P
RSV4 1000 FACTORY APRC STD-SE	11->12	P
RSV4 1000 SBK RACING	09->10	P
RSV4-R 1000	10	P
RSV4-R 1000 APRC - ABS	11->14	P
RSV4-RF 1000	15->20	P
RSV4-RR 1000	15->20	P
SL 1000 FALCO	00->04	P
TUONO 1000 V4R APRC	14	P
TUONO 1000 V4R STD APRC	11->13	P
RSV 1100 TUONO V4	15	P
RSV 1100 TUONO V4 FACTORY	15->18	P
RSV 1100 TUONO V4 RR	15->18	P
RSV4 1100 FACTORY	19	P

BENELLI	Year	A/P
BN 302	14->	P
CRUISER 500 502 C	19->	P
LEONCINO 500	16	P
BN 600	14->	P
BN 600 GT	14->	P
BN 600 R	14->	P
CUE 756	07->09	P
TNT 899	07->	P
TNT 899 CENTURY RACER	11->	P
TRE-K 899	07->	P
TORNADO TRE 900	03->06	P
TORNADO TRE 900 RS	04->06	P
TNT 1130	05->06	P
TNT 1130 CAFE RACER	05->06	P
TNT 1130 CENTURY RACER	11->	P
TNT 1130 OFFICINE	07->	P
TNT 1130 SPORT	05	P
TNT 1130 TITANIUM	05->	P
TNT 1130 TRE-K	06->	P

TNT 1130 TRE-K AMAZONAS	07->	P
TORNADO 1130	06->	P
TORNADO 1130 TRE	06->08	P
TORNADO 1130 TRE R	13->	P
TRE-K 1130	06->16	P
TRE-K 1130 AMAZONAS	13->16	P

BIMOTA	Year	A/P
BB3 1000	14->	P
DB5 1000 DELIRIO	07->	P
DB5 1000 MILLE	05->11	P
DB5 1000 S	07->11	P
DB10 1078 BIMOTARD	12->	P
DB5 1078 RE	12->	P
DB7 1098	08	P
DB6R 1100 DELIRIO	08->	P
TESI 1100 3D	07->	P
DB8 1198	10->	P
DB12 1200	12->	P
DB9 1200	12->	P

BOMBARDIER	Year	A/P
TRAXTER 500 4x4	99->00	A / P

BREMO	Year	A/P
120A44110 - P2 34 Supersport		A
20.6951.50 Gold line Road		A

CAGIVA	Year	A/P
RAPTOR 650	01->05	P
V-RAPTOR 650	01->05	P
RAPTOR 1000	00->06	P
RAPTOR 1000 XTRA	02->04	P
V-RAPTOR 1000	00->06	P
X-RAPTOR 1000	03	P
X3-RAPTOR 1000	04->	P

CPI	Year	A/P
GTR 50	03->05	A
X-LARGE 125	02->03	A / P
X-LARGE 150	02->03	A / P
X-LARGE 200	02->03	A / P

DERBI	Year	A/P
GP1 50 EURO2	05->	A
GPR 50 NUDE	04->08	A
GPR 50 NUDE SPORT	08	A
GPR 50 NUDE TUNING	06->08	A
GPR 50 RACING	04->	A
GPR 80 CUP	04->	A
GP1 125	06->08	A / P
GP1 250	05->	A / P
MULHACEN 659	05->	P
MULHACEN 659 CAFE	08->	P

DUCATI	Year	A/P
MULTISTRADA 620	06	P
MULTISTRADA 620 DARK (single disk)	06	P
SPORT 620	03->04	P
SUPERSPORT 620	03->04	P
MONSTER 696 (700cc)	08->14	P
749 (748cc)	03->06	P
749 DARK (748cc)	04->06	P
749 R (748cc)	04->06	P
749 S (748cc)	03->06	P
SPORT 750	00->02	P
MONSTER 795	13	P
HYPERMOTARD 796 (800cc)	10->12	P
MONSTER 796 (800cc)	11->14	P
SPORT 800	03->06	P
SUPERSPORT 800	03->06	P
HYPERMOTARD 821	13->15	P
HYPERMOTARD 821 HYPERSTRADA	13->15	P
HYPERMOTARD 821 LOW SEAT	15	P
HYPERMOTARD 821 SP	13->15	P
MONSTER 821 (APTC clutch)	14->16	P
MONSTER 821 (FCCC clutch)	17->19	P
MONSTER 821 DARK (APTC clutch)	15->16	P
MONSTER 821 DARK (FCC clutch)	17	P
MONSTER 821 STEALTH	19->20	P
MONSTER 821 STRIPES (APTC clutch)	15->16	P
MONSTER 821 STRIPES (FCC clutch)	17	P
848 848	08->10	P
848 848 EVO	11->12	P
848 848 EVO CORSE SE	12	P
STREETFIGHTER 848	12->15	P
STREETFIGHTER 848 S	12	P
SUPERBIKE (848 cc) 848 EVO CORSE SE - EVO - USA	13	P
SUPERBIKE (850cc) 848 EVO CORSE - EVO - HAYDEN - USA	08->12	P
PANIGALE 899 ABS - USA	14->15	P
MH 900	01->02	P
SPORT 900	02	P
SUPERSPORT 900	98->99	P
SUPERSPORT 900 F.E.	98	P
SUPERSPORT 900 IE	00->02	P
SUPERSPORT 900 SUPERLIGHT	91->97	P
ST4 916	99->01	P
SUPERSPORT 936	17->19	P
SUPERSPORT 936 S	17->19	P
HYPERMOTARD 939	16->18	P
HYPERMOTARD 939 HYPERSTRADA	16	P
HYPERMOTARD 939 SP - SP U	16->18	P
ST2 944	02->03	P
HYPERMOTARD 950	19	P
HYPERMOTARD 950 SP - SP U	19	P
PANIGALE 955 959	16->19	P
PANIGALE 955 V2	20	P
PANIGALE 956 959	17	P
PANIGALE 959 959	18	P
PANIGALE 959 959 CORSE / CORSE U	18->19	P
ST3 992	04->	P
ST3S 992 ABS	06->	P
996 R	01	P
ST4S 996	01->05	P
ST4S 996 ABS	03->05	P
PANIGALE 998 V4 R	19->20	P
999 (998cc)	03->06	P
999 R (998cc)	03->06	P
999 RS (998cc) (con antisaltellamento)	04->05	P
999 S (998cc)	02->07	P
DESMOSEDICI 1000 RR	08	P
GT 1000 TOURING	09	P
HYPERMOTARD 1000	06	P
MONSTER 1000 S2R	06->08	P
MONSTER 1000 S4R	07->08	P
MONSTER 1000 S4RS	06->08	P
MONSTER 1000 S4RS TRICOLORE	08	P
MULTISTRADA 1000	03->06	P
MULTISTRADA 1000 DS	05	P



... FD0256

... segue DUCATI	Year	A/P
MULTISTRADA 1000 DS S	05	P
MULTISTRADA 1000 S	06	P
PANIGALE 1000 V4R (998)	19->20	P
ST3 1000	04->07	P
SUPERSPORT 1000	03->06	P
1098 (1100cc)	07->08	P
1098 R (1200cc)	08->09	P
1098 R BAYLISS (1200cc)	09	P
1098 S (1100cc)	07->08	P
1098 S TRICOLORE (1100cc)	07->08	P
STREETFIGHTER 1098 S	13	P
HYPERMOTARD 1100	07->09	P
HYPERMOTARD 1100 EVO	10->12	P
HYPERMOTARD 1100 EVO SP	10->12	P
HYPERMOTARD 1100 S	07->09	P
MONSTER 1100	09->10	P
MONSTER 1100 DIESEL	13	P
MONSTER 1100 EVO	12->13	P
MONSTER 1100 EVO - EVO ABS	12->13	P
MONSTER 1100 EVO ANNIVERSARY	13	P
MONSTER 1100 S	09->10	P
MULTISTRADA 1100	07->09	P
MULTISTRADA 1100 S	07->09	P
PANIGALE 1100 V4	18->20	P
PANIGALE 1100 V4 CORSE	19->20	P
PANIGALE 1100 V4 S	18->20	P
PANIGALE 1100 V4 SPECIALE	18->19	P
STREETFIGHTER 1100	10->11	P
STREETFIGHTER 1100 S	10->12	P
1198 (1200cc)	09->11	P
1198 R CORSE (1200cc)	10	P
1198 S (1200cc)	09->10	P
1198 S CORSE (1200cc)	10	P
1198 SP (1200cc)	11	P
PANIGALE 1198 R	15	P
PANIGALE 1199 (1200cc)	12->14	P
PANIGALE 1199 R	17	P
PANIGALE 1199 R (1200cc)	13->14	P
PANIGALE 1199 S (1200cc)	12->14	P
PANIGALE 1199 TRICOLORE (1200cc)	12->13	P
MONSTER 1200 R	16->19	P
MONSTER 1200 S	14->20	P
MULTISTRADA 1200	10->14	P
MULTISTRADA 1200 S	15->17	P
MULTISTRADA 1200 S D AIR	15->17	P
MULTISTRADA 1200 S GT	13->14	P
MULTISTRADA 1200 S PIKES PEAK	11->15	P
MULTISTRADA 1200 S SPORT	10->12	P
MULTISTRADA 1200 S TOURING	10->14	P
MULTISTRADA 1200 S TOURING D-AIR	14	P
PANIGALE 1200 R	16	P
PANIGALE 1299 (1285-1299-1300CC)	15->17	P
PANIGALE 1299 R FINAL EDITION 1285cc	18	P
PANIGALE 1299 S (1285-1299-1300cc)	15->17	P
PANIGALE 1299 SUPER LEGGERA RACING	17	P

GILERA	Year	A/P
NEXUS 500	03->05	P
NEXUS 500 EURO 3	06->11	P
NEXUS 500 SP EURO 3	06->07	P
SUPERSPORT 600	02->	P

HARLEY DAVIDSON	Year	A/P
LiveWire - ELW 1 LIVEWIRE	20	P

HONDA	Year	A/P
CBR 1000 FIREBLADE RR-R	20	P
CBR 1000 FIREBLADE RR-R SP	20	P
RC213V-S 1000	16->20	P

INDIAN	Year	A/P
FTR 1200	19->20	P
FTR 1200 S	19->20	P

KAWASAKI	Year	A/P
ZX 1000 H2 CARBON NINJA	17->20	P
ZX 1000 H2 NINJA	15->20	P
ZX 1000 H2 SX SE+	19->20	P
ZX 1000 H2R NINJA	15->20	P

KTM	Year	A/P
RC8 1190	08->11	P
RC8 1190 R	09->15	P
RC8 1190 R TRACK	11->15	P
1290 SUPER DUKE GT	16->20	P
1290 SUPER DUKE R	14->20	P
1290 SUPERDUKE R BLACK	20	P

LAVERDA	Year	A/P
TTS 800	98	P
SFC 1000	03->	P

MBK	Year	A/P
XQ 125 THUNDER	01->	P
YP 125 SKYLINER	01->	P
XQ 150 THUNDER	01->	P
YP 150 SKYLINER	01->02	P
YP E 180 SKYLINER	03	P

METRAKIT	Year	A/P
MINI GP 50 XL	05->	A

MONDIAL	Year	A/P
PIEGA 999 (1000cc)	03->	P
PIEGA EVO 999 (1000cc)	03->	P
PIEGA NUDA 999 (1000cc)	04->	P
RZ NUDA 999 (1000cc)	02->	P
RZ STARFIGHTER 999 (1000cc)	02->	P

MOTO GUZZI	Year	A/P
BREVA 750	03->09	P
GRISO 750	04->	P
NEVADA 750	02->03	P
NEVADA 750 AQUILA NERA	09->13	P
NEVADA 750 CLASSIC	04->12	P
NEVADA 750 S	10	P
NEVADA 750 S ANNIVERSARIO	12	P
V7 750 CAFE CLASSIC	09	P
V7 750 CLASSIC	08->12	P
V7 750 RACER	10->11	P
MGS-01 1200 CORSA	05->	P
SPORT 1200 4V	09->11	P

MOTO MORINI	Year	A/P
9,5 1200	06->09	P
CORSARO 1200	05->09	P
SPORT 1200	08->10	P

MV AGUSTA	Year	A/P
BRUTALE 675 (35kw)	11->13	P
BRUTALE 675 S	11->17	P
F3 675	13->20	P
F3 675 RC	15->20	P
F3 675 SERIE ORO	11->13	P
BRUTALE 800	13->20	P
BRUTALE 800 DRAGSTER	14->19	P
BRUTALE 800 DRAGSTER RC	17->20	P
BRUTALE 800 DRAGSTER RR	15->17	P
BRUTALE 800 RR	15->20	P
F3 800 RC	15->20	P
RIVALE 800	13->17	P
RVS #1 800	18->20	P
STRADALE 800	15->16	P
SUPERVELOCE 800	19->20	P
TURISMO 800 VELOCE	14->19	P
TURISMO 800 VELOCE LUSSO	15->20	P
TURISMO 800 VELOCE RC	17->20	P

NORTON	Year	A/P
COMMANDO 961 CAFE RACER	11->	P
COMMANDO 961 SE	10->11	P
COMMANDO 961 SF	13->	P
COMMANDO 961 SF SPORT	10->11	P

PEUGEOT	Year	A/P
CITY STAR 50	14->	P
SPEEDFIGHT 3 50 LC	10->14	P
SPEEDFIGHT 3 50 LC RS	10->	P
SPEEDFIGHT 4 50 LC	15->	P
ACTIVE 125	13->	P
CITY STAR 125	11->	P
DJANGO 125 HERITAGE	14->	P
DJANGO 150 HERITAGE	14->	P
CITY STAR 200	13->	P
SATELIS 500	06	A/P

PIAGGIO	Year	A/P
X8 125	04->	P
X9 125 EVOLUTION	01->04	A
X9 125 EVOLUTION	01->07	P
X9 180 AMALFI	00->03	A/P
X8 200	04->06	P
X9 200 EVOLUTION	02->03	A/P
X9 250	00->03	A/P
X9 250 AMALFI	00->	A/P
X9 250 EVOLUTION	04	P
BEVERLY 400 TOURER EURO3	08->10	A
BEVERLY 500	02->04	P
BEVERLY 500	02->06	A
BEVERLY 500 CRUISER	07->12	A
BEVERLY 500 EURO 3	06->	A
X9 500	01->03	A/P
X9 500 EVOLUTION	03->04	P
X9 500 EVOLUTION ABS	06->07	P

RIEJU	Year	A/P
MRT-PRO 50	09->12	A
MRT-PRO 50 SUPERMOTARD	09->12	A
SMX 50 PRO	08->	A
TANGO 50	08->	A
TANGO 125	08->	A
TANGO 125 PRO	08->	A

VOXAN	Year	A/P
CAFE RACER 1000	01->06	P
ROADSTER 1000	01->06	P
VB1 1000 EVO	04->	P

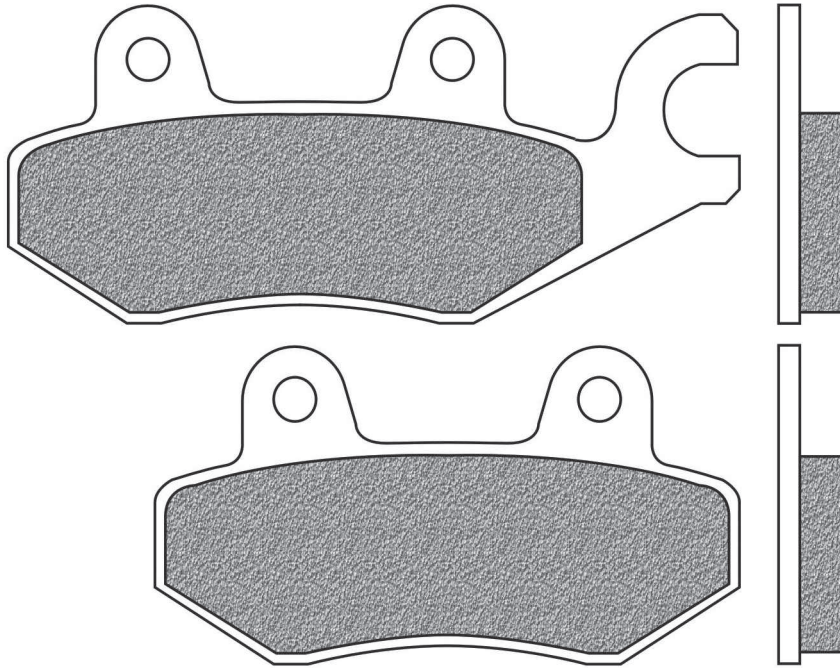
YAMAHA	Year	A/P
MAJESTY 125 YP E	01->09	P
MAXSTER 125 XQ	01->05	P
SPORT EDITION 125 YP R	11->	P
X-CITY 125 VP	08->13	P
X-MAX R 125 YP	06->13	P
MAJESTY 150 YP	01->02	P
MAXSTER 150 XQ	01->02	P
MAJESTY 180 YP E	03->06	P

FD0257

BA | BE

D1 (mm): 97x42x8,8 (lxhxsp.)

D2 (mm): 77,5x42x8,8 (lxhxsp.)



DINK 125 EURO 3	06->07	A
DINK 125 I EURO 3	06->09	A
GRAND DINK 125	01->04	A / P
K PIPE 125	13->15	A
LIKE 125	09->16	P
MOVIE 125 XL	01->09	A
NEW DINK 125	08->10	A / P
PEOPLE ONE 125 I DD	15	P
PEOPLE ONE 125 I E4	16->17	P
PULSAR 125	01->13	A
QUANNON 125	08->12	A / P
SPACER 125	99->03	A / P
YAGER 125	01->07	A / P
YAGER 125 GT	09	A
ZING 125	96->14	A
AGILITY 150 R 16	08->	P
B&W 150 BET & WIN	00->	A / P
DINK 150 CLASSIC	02	A / P
DINK 150 CLASSIC EURO 2	03	A / P
DINK 150 LX	98->00	A / P
GRAND DINK 150	01->04	A / P
HIPSTER 150	01->	A
MOVIE 150 EURO 3	06->07	A
MOVIE 150 XL	01->04	A
PEOPLE ONE 150 I E4	16->17	P
QUANNON 150	10->14	A / P
SPACER 150	99->	A / P
YAGER 150	01->15	A / P
ZING 150	99->13	A
AGILITY 200 i R 16	09->11	P
AGILITY 200 R 16+	11->17	P
DINK 200 CLASSIC	04	A / P
DINK 200 EURO 3 i	06->07	A / P
I NEW DINK 200	08->12	A / P
LIKE 200 i	09->16	P
NEW DINK 200	08->	A / P
YAGER 200	04->13	A / P
B&W 250 BET & WIN	00->02	A / P
B&W 250 EURO 2	03	A / P
PEOPLE 250	03->05	A
YUP 250	03->	A / P

DAELIM	Year	A/P
SV 125 S3	11->	P

DUCATI	Year	A/P
ST4 916	02->03	P

HONDA	Year	A/P
NSF 100	06->	A

KEEWAY	Year	A/P
100 PARTNER	06->10	A
110 PARTNER	06->07	A
125 SPEED	06->12	P
150 SPEED	06->09	P

KYMCO	Year	A/P
AGILITY 50	05->08	A
B&W 50 EURO 2	03->06	A
DINK 50	97	A

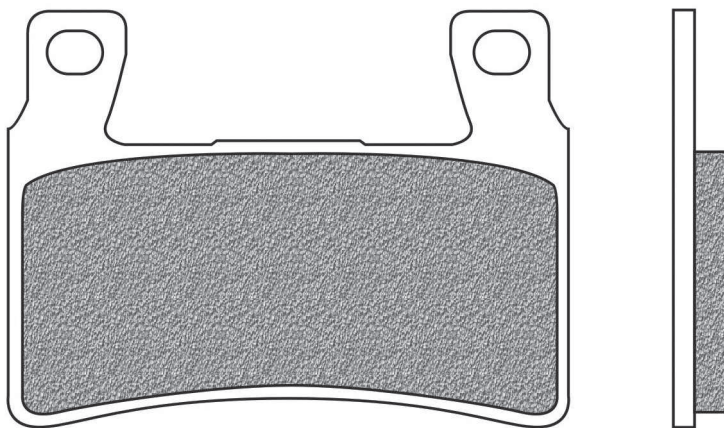
DINK 50 4T	07	A
DINK 50 LC	98->02	A
K PIPE 50	12->13	A
NEW DINK 50	08->13	A
NEW SENTO 50	11->15	A
SENTO 50	08->10	A
SPACER 50	99->06	A
SUPER 9 50 AC - LC	02->07	A
SUPER 9 50 SPORT EURO 2	03->04	A
TOP BOY 50 RACER / CROSS	01->05	A
YAGER 50	01->07	A
COBRA 100 RACER	99->03	A
TOP BOY 100	97->	A
AGILITY 125 4T	05->08	A
AGILITY 125 R 16+	14->16	P
AGILITY PLUS 125 E4	16	P
B&W 125 BET & WIN	00->06	A / P
CK-1 125	14->	A
DINK 125	96->05	A / P

LANCINI	Year	A/P
LX 110 4	02->	A
LX 125	02->	A

FD0258

BT | SP | TS

D1 (mm): 74x55x7,1 (lxhxsp.)



CBR 600 F	99->07	A
CBR 600 F4 / FS / FR SPORT	01->02	A
CBR 600 RR	03->04	A
CB 1100 EX	14->19	A
CB 1100 EX ABS	17->19	A
CB 1300 F SUPER FOUR	03->04	A
CB 1300 R	02->04	A
CB 1300 SUPER BOL DOR	05->08	A
CB 1300 SUPERFOUR	05->13	A

HYOSUNG	Year	A/P
GD 125 EXIV	12->	A
GD 250 EXIV-R	15->	A
GT 252 IR	15->	A
GT 650 I	13->	A
GT 650 I NAKED	15->	A
GT 650 IR	13->14	A
I DELUXE 700	13->	A
ST7 700	10->	A

DUCATI	Year	A/P
ST2 944	97->01	P

HONDA	Year	A/P
CB 400 SUPER FOUR BOL DOR	99->05	A
CB 600 F HORNET (Japan)	98->	A

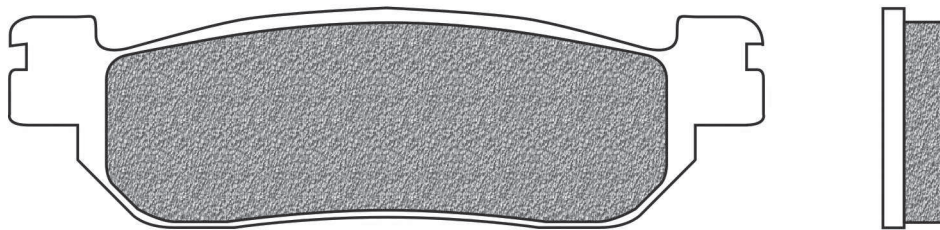
KAWASAKI	Year	A/P
ZX-6R 636 NINJA	13->20	A

FIGURATO PASTIGLIE CON APPLICAZIONI | BRAKE PADS DRAWINGS AND APPLICATIONS | DESSINS PLAQUETTES AVEC APPLICATIONS |
DISEÑOS PASTILLAS CON RELACION | ZEICHNUNGEN VON BREMSBELÄGE MIT VERWENDUNGSLISTE



FD0259
BA | BE | BT | SE | TS

D1 (mm): 100x29,5x9 (lhxsp.)



MBK	Year	A/P
YP 250 SKYLINER	00->03	P
YP 400 SKYLINER	04->	P

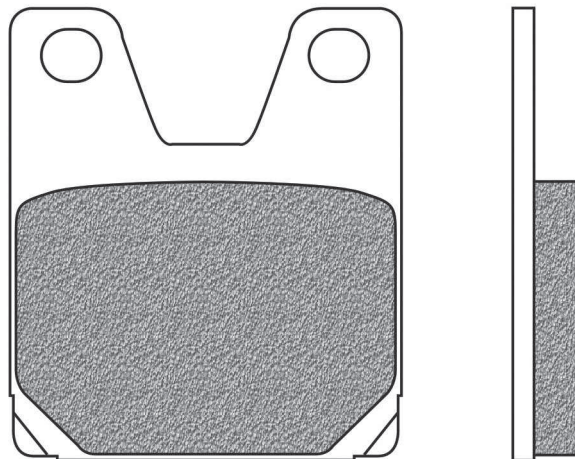
YAMAHA	Year	A/P
RZ 50 (5FC1/2)	02	A
CRYPTON 105 T	98->	A
V 110 SPORTY	96	A
TW 125	99->02	A
TW 125 R - S	03->04	A
X-MAX R 125 YP ABS	11	P

X-MAX RA 125 YP ABS	13->17	P
DT 175	00->	A
TW 200	01->02	A
CELLOW 225	97->	A
ST 225 BRONCO	97	A
TW 225 (5VC1/2)	03	A
XT 225	01->06	A
MAJESTY 250 YP	00->03	P
MAJESTY 250 YP ABS	03->	P
MAJESTY DX 250 YP	98->99	P
X-CITY 250 VP	07->13	P

X-MAX R 250 YP	05->13	P
X-MAX R 250 YP BLACK	09	P
X-MAX R 250 YP SPORT	11->12	P
X-MAX RA 250 YP ABS	11->16	P
XG 250 TRICKER	04->06	A
XT 250 X	06->08	A
YZ-F 600 R6	99->02	P
YZ-F 1000 R1	02->03	P

FD0261
BT | TS

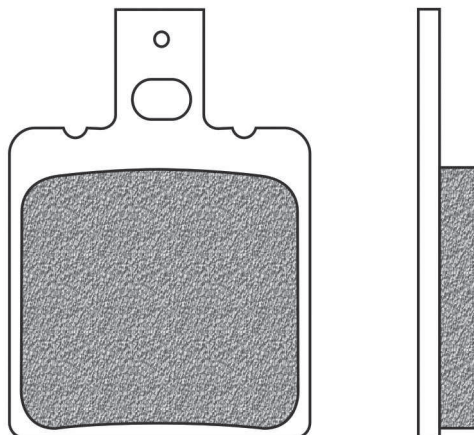
D1 (mm): 52x60x8,9 (lhxsp.)



YAMAHA	Year	A/P
YZ-F 750 R7 (0W02) road version	99->00	P
YZ-F 1000 R1	98->01	P

FD0263
BE

D1 (mm): 40x56,5x8 (lhxsp.)



APRILIA	Year	A/P
LEONARDO 125	97->98	A
LEONARDO 150	97->98	A

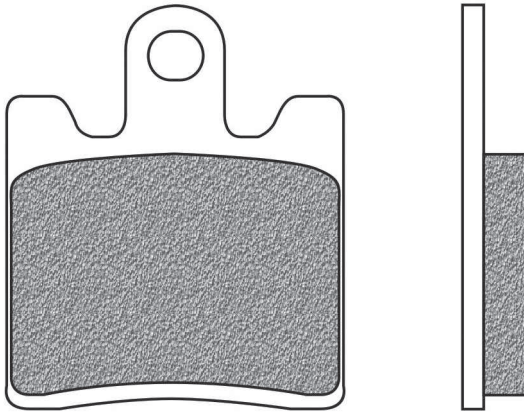
BETA	Year	A/P
EIKON 125	->98	A

MALAGUTI	Year	A/P
CIAK 125	00->01	A
CIAK 125 MASTER	04	A
CIAK 125 MASTER EURO 3	06	A
CIAK 125 RESTYLING	03	A
F 18 125 WARRIOR	00->02	A
CIAK 150	00->02	A
CIAK 150 MASTER	03	A
CIAK 150 RESTYLING EURO 2	04	A
F 18 150 WARRIOR	00->02	A
CIAK 200 MASTER EURO 2	06	A

FD0264 (4 pz.)

BA | BE | BT | SE | TS

D1 (mm): 45x53,5x8,6 (lxhxsp.)



SUZUKI	Year	A/P
BURGMAN 250 AN	96->06	A
SKY WAVE 250 (type II)	98->	A
BURGMAN 400 AN	98->06	A

SYM	Year	A/P
JOYMAX 125 SPORT	16	A
JOYMAX 250 SPORT	16	A
CRUISYM 300 EURO4	17	A
GTS 300	09->10	A
GTS 300 EVO I	11->	A
JOYMAX 300 SPORT	16->17	A
JOYRIDE 300 EVO i	10->	A

TRIUMPH	Year	A/P
TROPHY SE 1215	12->18	A

YAMAHA	Year	A/P
FJR 1300 A	13->20	A
FJR 1300 ABS	06->12	A
FJR 1300 AE	16->19	A
FJR 1300 AS	13->19	A

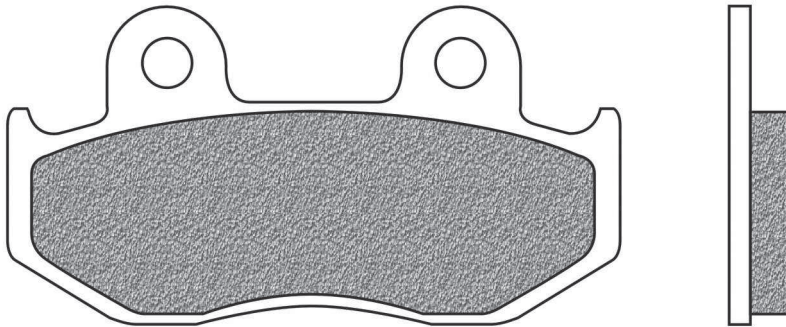
DAELIM	Year	A/P
OTELLO 125	08->	A
S2 125 FI	07->	A
SL 125 U3 FI	07->	A
SV 125 S3	11->	A

U2 125 FI	Year	A/P
	07->	A
KAWASAKI	Year	A/P
SC 250 EPSILON	02->	A

FD0265

BA | BE

D1 (mm): 81x42x8,3 (lxhxsp.)



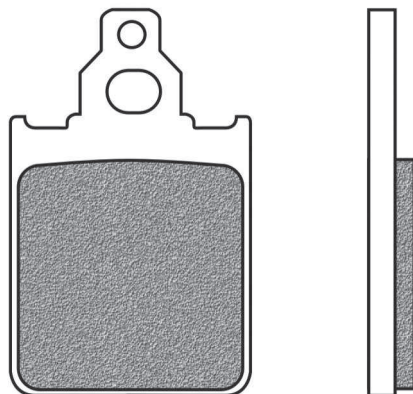
HONDA	Year	A/P
NHX 110	10->	A

SUZUKI	Year	A/P
BURGMAN 250 AN	96->00	P
SKY WAVE 250 (type II)	98->	P
BURGMAN 400 AN	98->00	P

FD0266

BA | BE

D1 (mm): 32x51,5x6 (lxhxsp.)



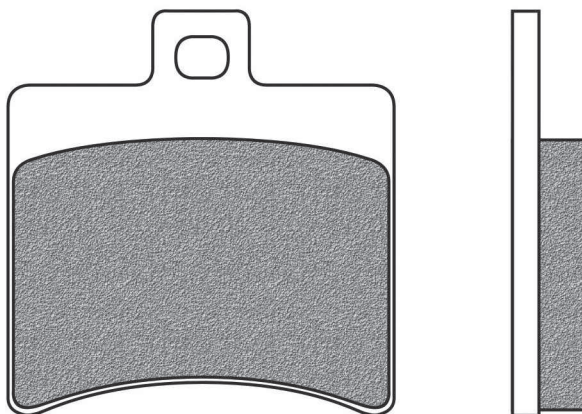
PIAGGIO	Year	A/P
VESPA 125 PX	98->17	A
VESPA 150 PX	98->17	A
VESPA 200 PX	98->	A

FIGURATO PASTIGLIE CON APPLICAZIONI | BRAKE PADS DRAWINGS AND APPLICATIONS | DESSINS PLAQUETTES AVEC APPLICATIONS
DISEÑOS PASTILLAS CON RELACION | ZEICHNUNGEN VON BREMSBELÄGE MIT VERWENDUNGSLISTE



FD0267
BA | BE | SE

D1 (mm): 51,5x53,5x9,5 (lxhxsp.)



APRILIA	Year	A/P
SCARABEO 50 DITECH	01->04	P
SR 50 H20 DITECH E (carburatore)	00->02	P
SR 50 H20 DITECH EURO 2	02->03	P
SR 50 R FACTORY (motore Piaggio)	04->05	P
SR 50 STREET	05->	P
ARECIFE 125 (spagna)	03->06	P
ATLANTIC 125	03->11	P
RS 125	06->11	P
SCARABEO 125	04->06	P
SCARABEO 125 (motore Piaggio)	03	P
SCARABEO 125 (motore Rotax)	99->03	P
SCARABEO 125 EU3	06->07	P
SCARABEO 125 GT	99->03	P
SCARABEO 125 IE LIGHT	08->10	P
SCARABEO 125 LIGHT	07->08	P
SPORT CITY 125	04->05	P
SPORT CITY 125 CUBE	08->10	P
SPORT CITY 125 EU3	06->08	P
SPORT CITY 125 STREET	12	P
SCARABEO 150	98->03	P
SCARABEO 150 GT	04->	P
ARECIFE 200 (spagna)	03->	P
ATLANTIC 200	03->05	P
SCARABEO 200	01->03	P
SCARABEO 200 (motore Piaggio)	03->	P
SCARABEO 200 CLASS	10->	P
SCARABEO 200 GT	02->	P
SCARABEO 200 IE LIGHT	12->	P

SPORT CITY 200	04->05	P
SPORT CITY 200 CUBE	09->	P
SPORT CITY 200 EU3	06->08	P
ATLANTIC 250	03->06	P
ATLANTIC 250 IE	07->	P
LEONARDO 250	99->01	P
LEONARDO 250 ST	01->04	P
SCARABEO 250	04->06	P
SCARABEO 250 IE	06->09	P
SCARABEO 250 LIGHT	06->08	P
SPORT CITY 250 CUBE	08->12	P
SPORT CITY 250 EU3	06->	P
ATLANTIC 300	10->11	P
LEONARDO 300	02->04	P
SCARABEO 300 LIGHT	06->10	P
SCARABEO 300 SPECIAL IE	09->	P
SPORT CITY 300 CUBE	08->	P
SPORT CITY 300 STREET	12	P
ATLANTIC 400 SPRINT	05->08	P
SCARABEO 400 IE	06->	P
SCARABEO 400 LIGHT	06->08	P
ARECIFE 500 (spagna)	02->04	P
ATLANTIC 500	02->04	P
ATLANTIC 500 SPRINT	05->08	P
SCARABEO 500	02->06	P
SCARABEO 500 CLASS	10->	P
SCARABEO 500 IE	07->	P
SCARABEO 500 LIGHT	06->08	P
SCARABEO 500 URBAN	06->11	P

BENELLI	Year	A/P
VELVET 250	99->	P
VELVET 250 TOURING	01->	P

BETA	Year	A/P
EIKON 50	04->	P
EIKON 125	->98	P
EIKON 150	04->	P

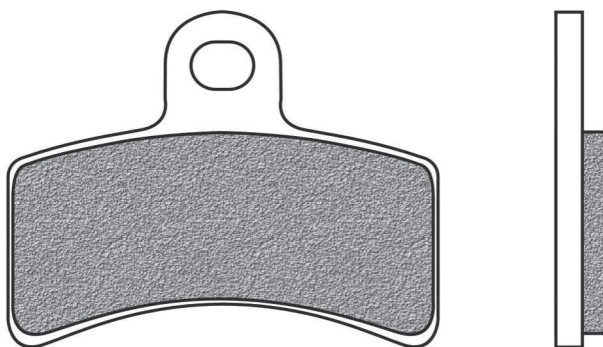
DERBI	Year	A/P
RAMBLA 125	09->11	P
RAMBLA 250	09->	P
RAMBLA 300	10->11	P

HYOSUNG	Year	A/P
GD 250 EXIV-R	15->	P
GT 252 IR	15->	P
GT 650 IR	15->	P

MALAGUTI	Year	A/P
F 18 125 WARRIOR	00->02	P
MADISON 125	99->02	P
MADISON R 125 RESTYLING	02	P
MADISON R 125 RESTYLING EURO 2	03->04	P
PHANTOM MAX 125	03->	P
F 18 150 WARRIOR	00->02	P
MADISON T 150	99->01	P
MADISON R 180	01->02	P
MADISON 200	99->01	P
MADISON S 200 RESTYLING	02->03	P
PHANTOM MAX 200	03	P
MADISON RS 250 RESTYLING	04	P
MADISON S 250	99->01	P
PASSWORD 250	05->06	P
PASSWORD 250 EU 3	07->08	P
PHANTOM MAX 250	04	P
MADISON K 400	02	P
MADISON K 400 RESTYLING	02->04	P

FD0268
BD | X01

D1 (mm): 57x44,5x6,5 (lxhxsp.)



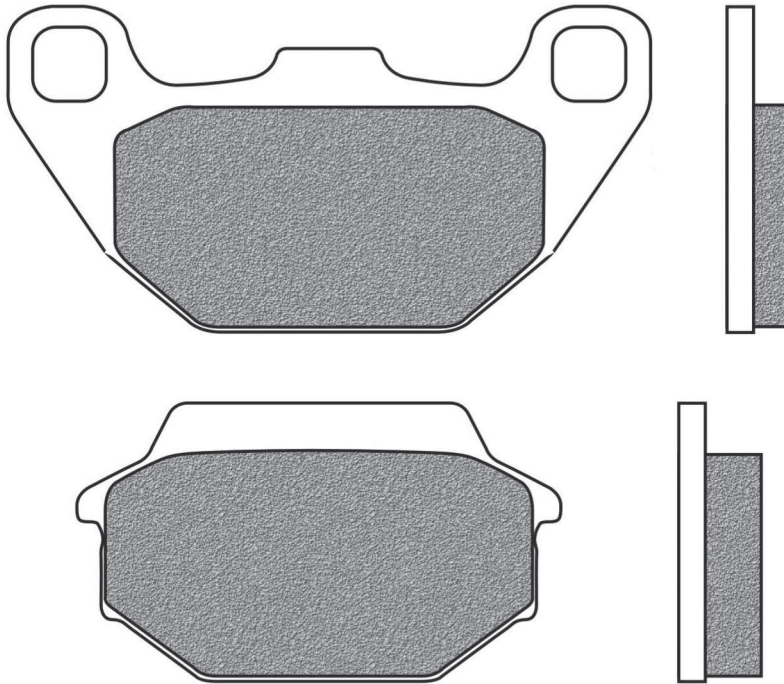
GAS GAS	Year	A/P
EC 50 BOY	01->	A / P
EC 50 ROOKIE	01->04	P
SM 50 ROOKIE	02->	P
TXT 50 BOY	01->03	A / P
TXT 50 ROOKIE	02->03	A / P
MC 65	05->	A / P
TXT 80 ROOKIE	02->03	A / P
PAMPERA 125	04->	P
TXT 125	01->03	A / P
TXT 200	00->03	A / P
PAMPERA 250	00->01	P
TXT 250	00->03	A / P
PAMPERA 280	04->	P
TXT 280	00->03	A / P
TXT 320	00->03	A / P

FD0269

BA | BE

D1 (mm): 85x43x8,5 (lxhxsp.)

D2 (mm): 64x37x10,9 (lxhxsp.)



SUPER 8 50 4T	09->13	A
SUPER 9 50 AC - LC	02->07	P
SUPER 9 50 SPORT EURO 2	03->04	P
AGILITY 125 R 16	08->12	A
AGILITY 125 R 16+	14->16	A
MXER 125	03->07	P
PEOPLE 125	99->00	A
PEOPLE 125 EURO 2	03->04	A
PEOPLE 125 EURO 3	07->	A
PEOPLE ONE 125 I	13->14	A
PEOPLE S 125	05->06	A
PEOPLE S 125 DD	07->08	A
SUPER 8 125	08->09	A
SUPER 9 125	00->01	P
AGILITY 150 R 16	08->	A
MXER 150	03->	P
MXU 150	05->	P
PEOPLE 150	99->06	A
PEOPLE 150 EURO 3	07->08	A
AGILITY 200 i R 16	09->11	A
AGILITY 200 R 16+	11->17	A
PEOPLE S 200	05->06	A
PEOPLE S 200 I	07->	A
SUPER 9 200	00->	P

LAVERDA	Year	A/P
PHOENIX 125	01->	P
PHOENIX 150	01->	P
PHOENIX 200	01->	P

SYM	Year	A/P
HD 125	04	A
JOYRIDE 125	01->04	P
JOYRIDE 150	01->02	P
HD 200	03->	A
JOY RIDE 200	01->04	P
GT 500	07->	P

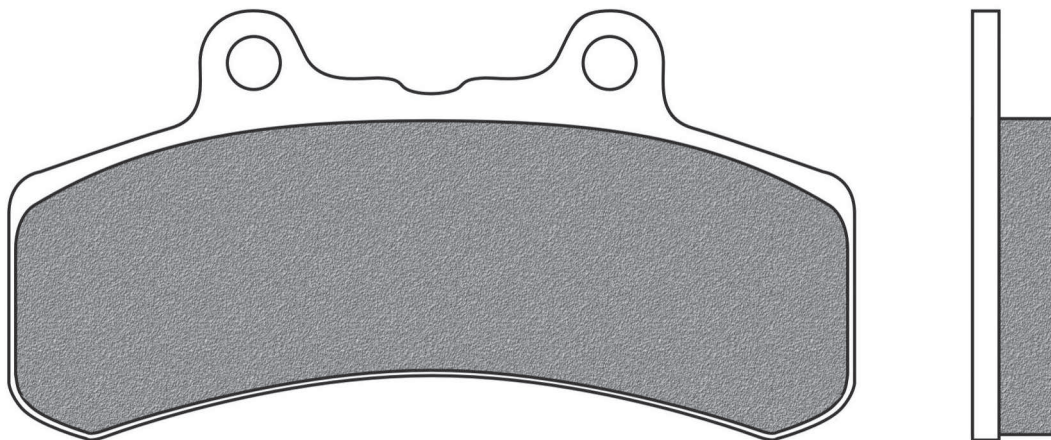
KYMCO	Year	A/P
AGILITY 50 2T PLUS	14->	A
AGILITY 50 2T R 16	10->13	A
AGILITY 50 4T PLUS	14->	A
AGILITY 50 4T R 16	08->15	A
MXER 50	03->07	P
MXU 50	05->10	P

MXU 50 SR	06->	P
PEOPLE 50	99->00	A
PEOPLE 50 EURO 2	03->04	A
PEOPLE S 50	05->08	A
PEOPLE S 50 4T	06->08	A
SUPER 8 50	07	A
SUPER 8 50 2T	09->16	A

FD0270

B4R

D1 (mm): 112x57x11,3 (lxhxsp.)



BUELL	Year	A/P
1200 all models	94->97	A
RS 1200	93->	A

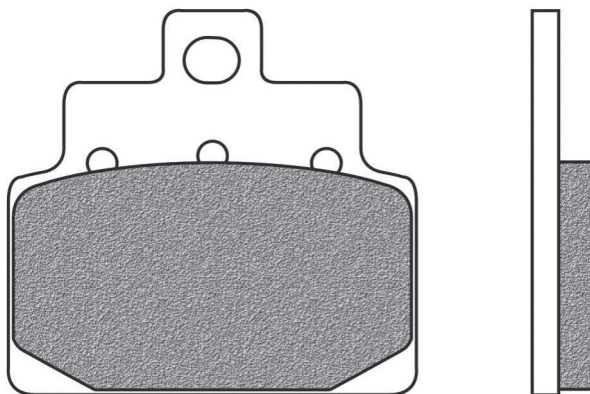
PERFORMANCE MACHINE	Year	A/P
125X6		A
137X6		A

FIGURATO PASTIGLIE CON APPLICAZIONI | BRAKE PADS DRAWINGS AND APPLICATIONS | DESSINS PLAQUETTES AVEC APPLICATIONS |
DISEÑOS PASTILLAS CON RELACION | ZEICHNUNGEN VON BREMSBELÄGE MIT VERWENDUNGSLISTE



FD0271
BA | BE

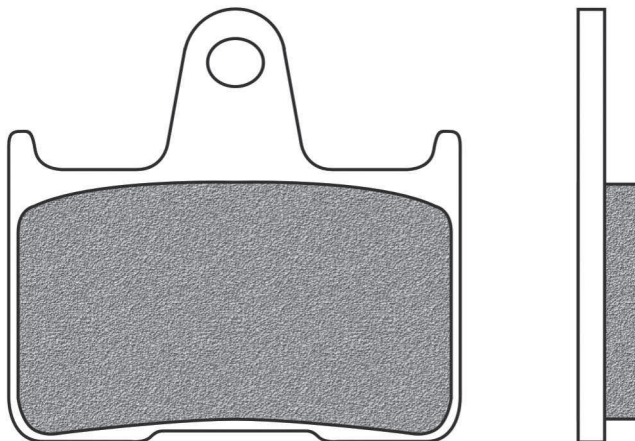
D1 (mm): 54x51x7,9 (lhxsp.)



APRILIA	Year	A/P
SCARABEO 100 (motore Minarelli)	00	A
SCARABEO 100 (motore Yamaha)	00	A
SCARABEO 100 4T	01->04	A
SCARABEO 100 NET	10->	A
HABANA 125	98->	A
LEONARDO 125	99->04	A / P
MOJTO 125 all models	99->04	A
SR 125	99->	A
LEONARDO 150	99->04	A / P
MOJTO 150 all models	99->04	A
SR 150	99->	A

FD0272
BT | TS

D1 (mm): 60x57,5x8 (lhxsp.)



KAWASAKI	Year	A/P
ZX-7RR 750 NINJA	96->02	P
GTR 1400	08->14	P
GTR 1400 ABS	15->20	P
ZZR 1400	06->07	P
ZZR 1400 ABS	06->20	P
ZZR 1400 PERFORMANCE SPORT	17->18	P
ZZR 1400 SE	16->18	P

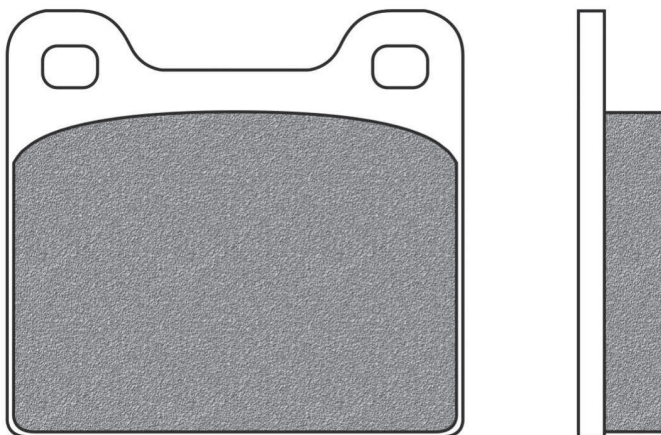
MZ	Year	A/P
S 1000 (MUZ)	03->	P
SF 1000 (MUZ)	05->	P
SFX 1000 (MUZ)	07->	P
SN 1000 (MUZ)	05->	P
ST 1000 (MUZ)	06->	P

SUZUKI	Year	A/P
GSX-R 1000	04->06	P

HONDA	Year	A/P			
CB 400 SUPER FOUR BOL DOR	99->03	P	CB 1300 F1	01	P
VT 750 C SHADOW	10->12	P	CB 1300 R	02->04	P
VT 750 C2S ABS	13->14	P	CB 1300 SF	98->00	P
VT 750 CS ABS	13->14	P	CB 1300 X4	97->00	P

FD0274
BT

D1 (mm): 62x56x11,5 (lhxsp.)

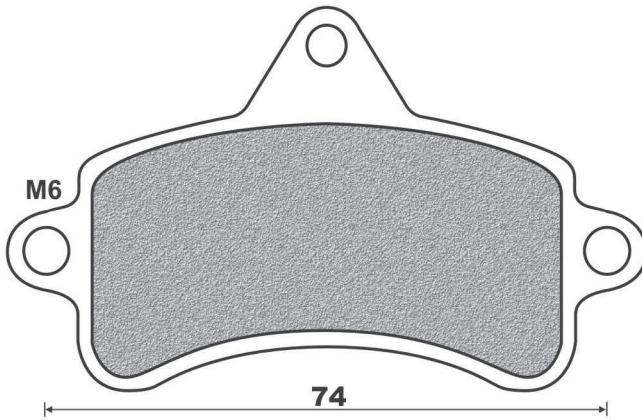


LYNX	Year	A/P
RAVE SPECIAL 98	98->	A
GLX 500 ST		A
GRAN TOURING 700		A

FD0275

K1 | K5 | K6

D1 (mm): 84,5x51x10 (lhxsp.)



MBA	Year	A/P
interasse fori 74 mm diametro M6		A

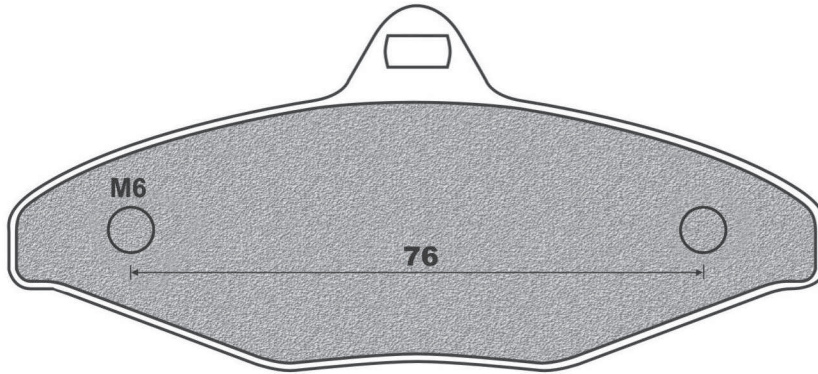
TOP KART	Year	A/P
interasse fori 74 mm diametro M6 th 10		A

FIGURATO PASTIGLIE CON APPLICAZIONI | BRAKE PADS DRAWINGS AND APPLICATIONS | DESSINS PLAQUETTES AVEC APPLICATIONS |
 DISEÑOS PASTILLAS CON RELACION | ZEICHNUNGEN VON BREMSBELÄGE MIT VERWENDUNGSLISTE

FD0276

K1

D1 (mm): 108x48,5x13,7 (lhxsp.)



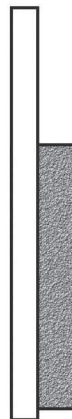
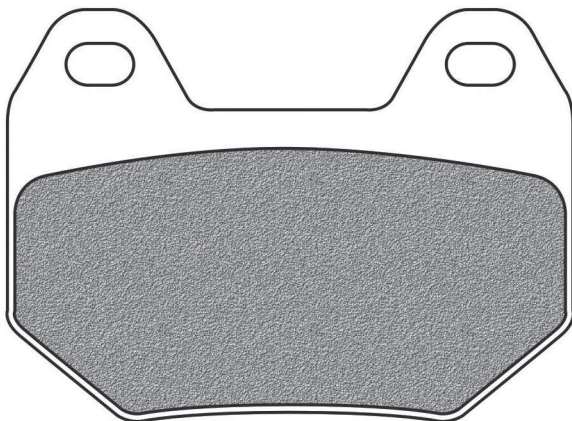
CRG	Year	A/P
VEN 99 interasse fori 76 mm diametro M6		P

GP RACING	Year	A/P
interasse fori 76 mm diametro M6		P

FD0277

BT | TS

D1 (mm): 75x54,5x9 (lhxsp.)

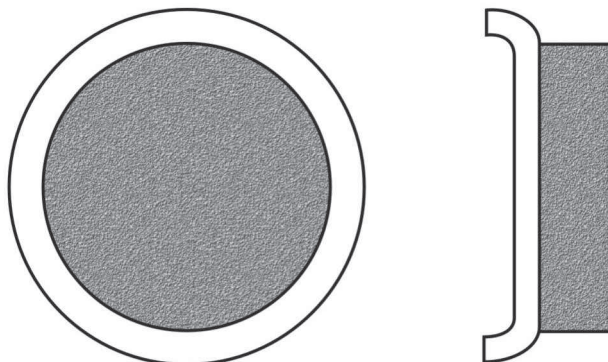


BMW	Year	A/P
K 1200 LT	97->08	P
R 1200 CL	01->06	P
R 1200 R 10	09->12	P

FD0278

BV | SV

D1 (mm): 46,5x16,5 (Øxsp.)



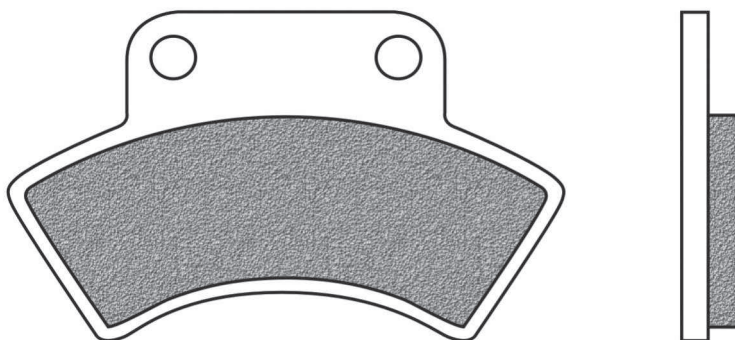
YAMAHA	Year	A/P
YFM 200 MOTO 4	85->90	P
YFM 250 W/A/B	90->92	P
YFM 350 ERD/ERE/ERF	92->95	P
YFM 350 FW	85->95	P
YFM 350 FW BIG BEAR	87->88	P

YAMAHA SNOWMOBILE	Year	A/P
EXCEL 2 V	79->80	A
EXCITER 2	76->	A
GPX 2 all models	74->75	A
OVATION 2	89->93	A
PHAZER 2	84->93	A
SNO-SCOOT 2	89->91	A
SPV 2	80->91	A
SSR 2	78	A
V-MAX 2	83->91	A
XL-V 2	85->90	A
SS 440	80->83	A
VK 540	89->91	A

FD0279

BV | SV

D1 (mm): 73,5x43,5x7,3 (lhxsp.)



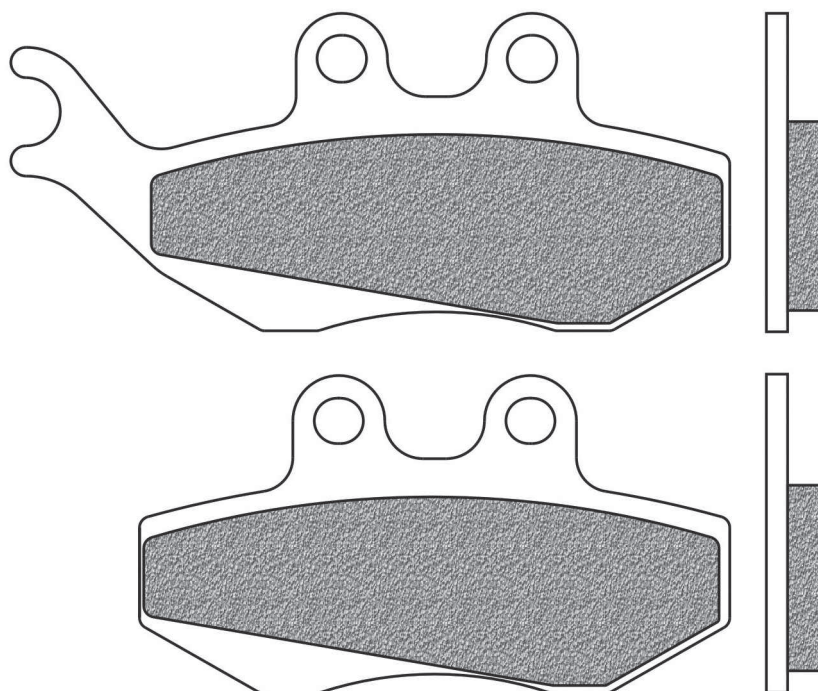
POLARIS	Year	A/P
TRAIL BLAZER 250	98	P
TRAIL BOSS 250	98->99	P
XPLORER 300	96->00	P
XPRESS 300	98->05	P
L 350 2x4 / 4x4	91->93	P
SPORT 400	98	P
XPLORER 400	98	P
MAGNUM 425 2x4	98	P
MAGNUM 425 4x4 / SWED	98	P
BIG BOSS 500 6x6 SWED	98->99	P
SPORTSMAN 500 / SWED	98	P
XPLORER 500 4x4	97	P

FD0281

BA | BD | BE

D1 (mm): 95x42x7,5 (l x h x sp.)

D2 (mm): 78x42x7,5 (l x h x sp.)



FIGURATO PASTIGLIE CON APPLICAZIONI | BRAKE PADS DRAWINGS AND APPLICATIONS | DESSINS PLAQUETTES AVEC APPLICATIONS |
DISEÑOS PASTILLAS CON RELACION | ZEICHNUNGEN VON BREMSBELÄGE MIT VERWENDUNGSLISTE

AJP	Year	A/P
PR3 125 ENDURO	08->	A
PR3 125 SUPERMOTARD	08->	A
MX 200	09->	A
PR3 200 ENDURO	08->	A
PR3 200 SUPERMOTARD	08->	A

APRILIA	Year	A/P
TUONO 50	03->04	A
SCARABEO 150 GT	04->	A
ATLANTIC 400 SPRINT	05->08	A

BETA	Year	A/P
RR 50 ENDURO	05->17	A
RR 50 ENDURO ALU	08->12	A
RR 50 SUPERMOTARD	08->17	A
RR 50 SUPERMOTARD ALU	04->05	A
ALP 125 4T	06->08	A
M4 125	06->	A
RR 125 4T	05->06	A
RR 125 4T RE	08->	A
RR 125 ENDURO 4T EU3	08->	A
RR 125 ENDURO EU3	07	A
RR 125 MOTARD 4T EU3	08->	A
RR 125 MOTARD EU3	07	A
URBAN 125	08->	A
ALP 200 4T	06->08	A
URBAN 200	08->	A
ALP 350 4.0	03->15	A
ALP 350 4.0 4T	16->18	A

DERBI	Year	A/P
MULHACEN 125	07->	A

FANTIC	Year	A/P
REGOLARITA 50 CASA	06->	A
SUPERSEI 50 MOTARD	06->	A
MX 125 REGOLARITA CASA	08->	A
SUPER MOTARD 125	08->	A
SUPERSEI 125 MOTARD	08->	A

GENERIC	Year	A/P
TOXIC 50	07->	A
TRIGGER 50 SM	06->	A
TRIGGER 50 SM COMPETITION	08->	A
TRIGGER 50 X	06->	A
TRIGGER 50 X COMPETITION	08->	A

HM	Year	A/P
CRE 50	06->13	A

KEEWAY	Year	A/P
125 ENDURO	07->08	A
125 X-RAY	07->08	A

MALAGUTI	Year	A/P
MADISON 125	99->02	A
MADISON 3 125	06->09	A
MADISON R 125 RESTYLING	02	A
MADISON R 125 RESTYLING EURO 2	03->04	A
PHANTOM MAX 125	03->	A
MADISON T 150	99->01	A

MADISON R 180	01->02	A
MADISON 200	99->01	A
MADISON S 200 RESTYLING	02->03	A
PHANTOM MAX 200	03	A
MADISON 3 250	06->09	A
MADISON RS 250 RESTYLING	04	A
PASSWORD 250	05->06	A
PASSWORD 250 EU 3	07->08	A
PHANTOM MAX 250	04	A

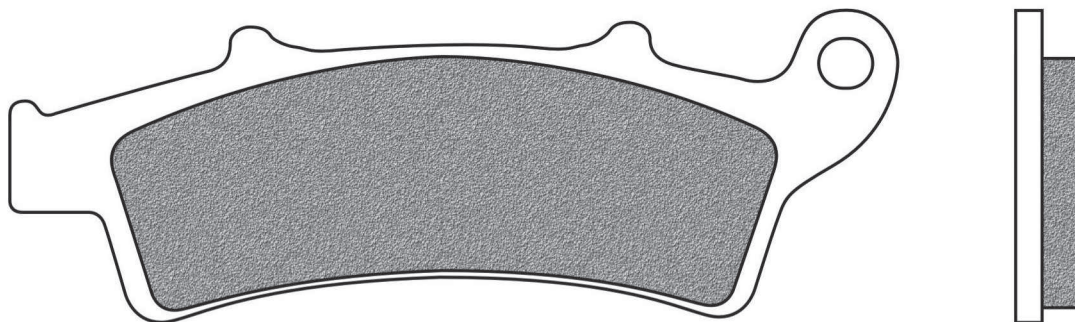
PEUGEOT	Year	A/P
XP S6 50 SUPERMOTARD	03->	A
ELYSEO 125	00->	A
ELYSTAR 125	02->	A
JET FORCE 125	03->	A
SATELIS 125	06->	A
ELYSTAR 150	02->	A
GEOPOLIS 400 (pinze AJP)	07->	A

SHERCO	Year	A/P
ENDURO 50 SE	07->13	A
SUPERMOTARD 50 SM	07->13	A
SE 125 1.25F	10->12	A



FD0282
BA | BE | SE

D1 (mm): 117,5x41,5x8,6 (lxhxsp.)



APRILIA	Year	A/P
ARECIFE 125 (spagna)	03->06	A
ATLANTIC 125	03->11	A
SCARABEO 125	04->06	A
SCARABEO 125 EU3	06->07	A
SCARABEO 125 GT	04->	A
SCARABEO 125 IE LIGHT	08->10	A
SCARABEO 125 LIGHT	07->08	A
ARECIFE 200 (spagna)	03->	A
ATLANTIC 200	03->05	A
SCARABEO 200	07->	A
SCARABEO 200 CLASS	10->	A
SCARABEO 200 IE LIGHT	12->	A
ATLANTIC 250	03->06	A
ATLANTIC 250 IE	07->	A
SCARABEO 250	04->06	A
SCARABEO 250 IE	06->09	A
SCARABEO 250 LIGHT	06->08	A
ATLANTIC 300	10->11	A
SCARABEO 300 LIGHT	06->10	A

SCARABEO 300 SPECIAL IE	09->	A
SPORT CITY 300 CUBE	08->	A
ATLANTIC 500 SPRINT	05->08	A

KYMCO	Year	A/P
DOWNTOWN 125	16->	A
K-XCT 125 I	14->	A
NEW DOWNTOWN 125	16->17	A
PEOPLE GTI 125	10->14	A
X-TOWN 125	16->17	A
X-TOWN 125 CT	20	A
PEOPLE GTI 200	10->14	A
K-XCT 300 I ABS	12->14	A
PEOPLE GTI 300 ABS	12->15	A
PEOPLE S 300	20	A
X-TOWN 300	16->17	A
X-TOWN 300 CT	20	A
DOWNTOWN 350	15->16	A
NEW DOWNTOWN 350	16->17	A

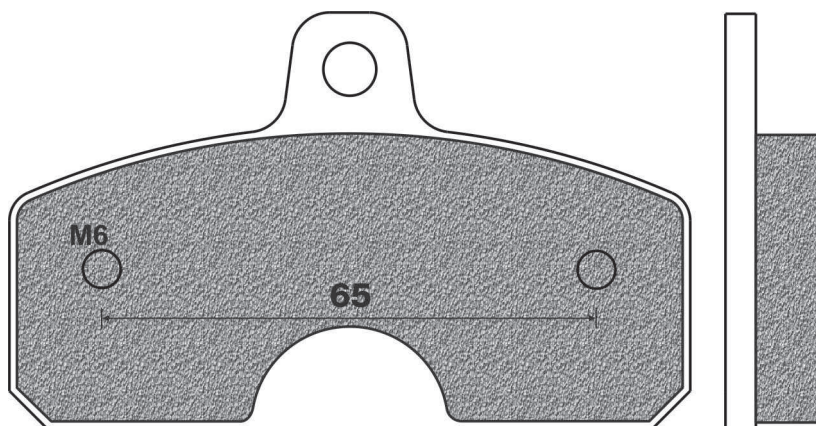
MALAGUTI	Year	A/P
MADISON S 250	99->01	A
MADISON K 400	02	A
MADISON K 400 RESTYLING	02->04	A

PEUGEOT	Year	A/P
LOOXOR 150	02->03	A

PIAGGIO	Year	A/P
BEVERLY 350 SPORT TOURING IE	12->	A

FD0283
K1 | K6

D1 (mm): 90,5x55,5x13 (lxhxsp.)

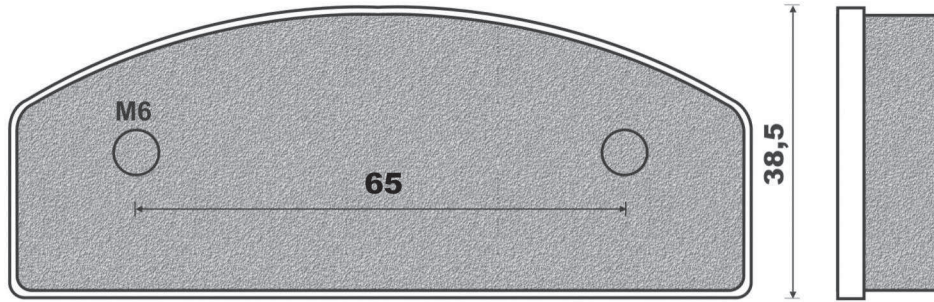


BIREL	Year	A/P
interasse fori 65 mm diametro M6 th 13la		P

FD0284

K1 | K6

D1 (mm): 98,5x38,5x13,6 (lxhxsp.)



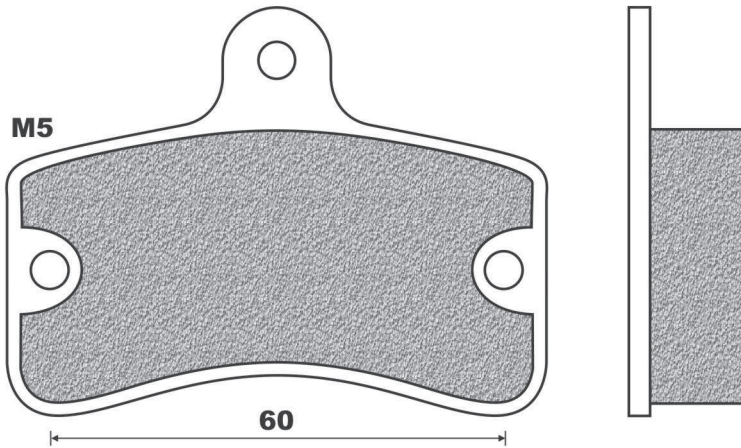
ENGLISH KART	Year	A/P
interasse fori 65 mm diametro M6 th 13,6		P

SWIFT	Year	A/P
interasse fori 65 mm diametro M6 th 13,6		P

FD0285

K1

D1 (mm): 71,5x54x16 (lxhxsp.)

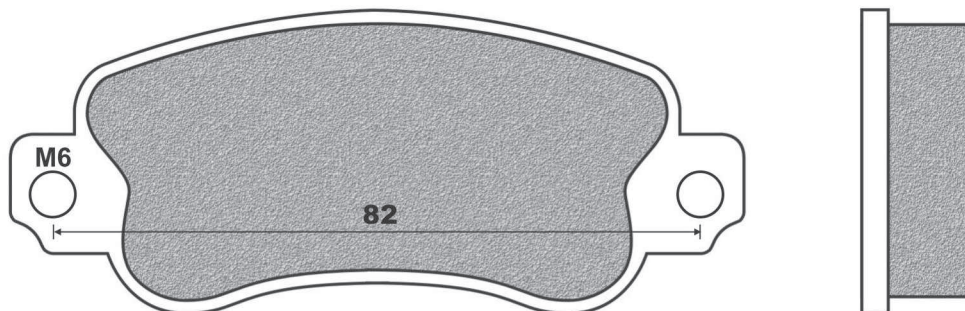


TONY KART	Year	A/P
interasse fori 60 mm diametro M5 th 16		P

FD0286

K6

D1 (mm): 97,5x40,5x14,5 (lxhxsp.)



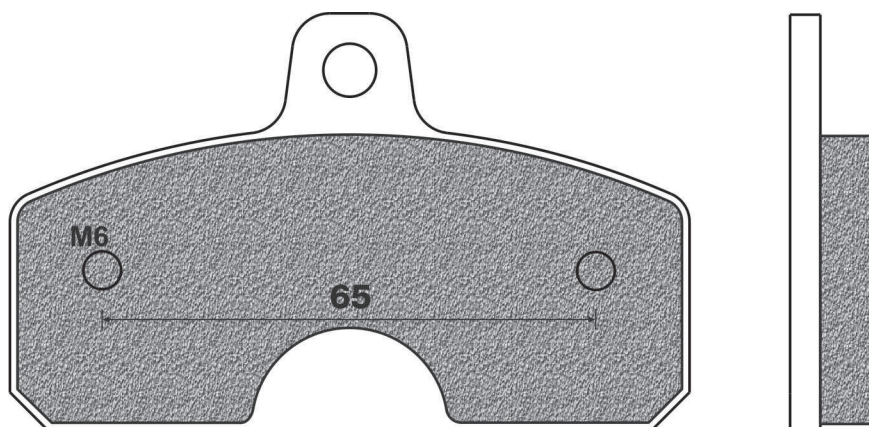
HEKA KART	Year	A/P
interasse fori 82 mm diametro M6 th 14,5		P

FIGURATO PASTIGLIE CON APPLICAZIONI | BRAKE PADS DRAWINGS AND APPLICATIONS | DESSINS PLAQUETTES AVEC APPLICATIONS |
 DISEÑOS PASTILLAS CON RELACION | ZEICHNUNGEN VON BREMSBELÄGE MIT VERWENDUNGSLISTE

FD0287

K1

D1 (mm): 90,5x55,5x11,5 (lhxhsp.)



BIREL

Year	A/P
	P

interasse fori 65 mm diametro M6 th11,5

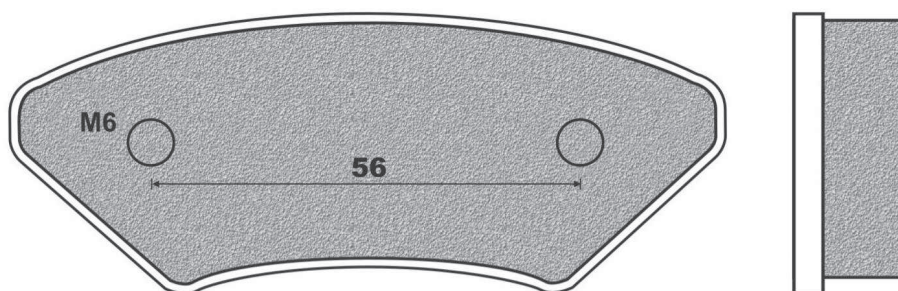
FD0288

K1

K5

K6

D1 (mm): 95,2x37,7x16 (lhxhsp.)



ALL KART

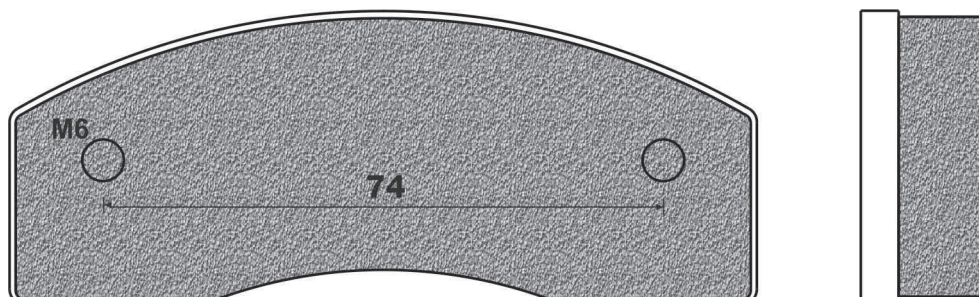
Year	A/P
	P

interasse fori 56 mm diametro M6 th 16

FD0289

K1

D1 (mm): 99x39x17 (lhxhsp.)



PCR

Year	A/P
	P

interasse fori 74 mm diametro M6 th 17

TOP KART

Year	A/P
	P

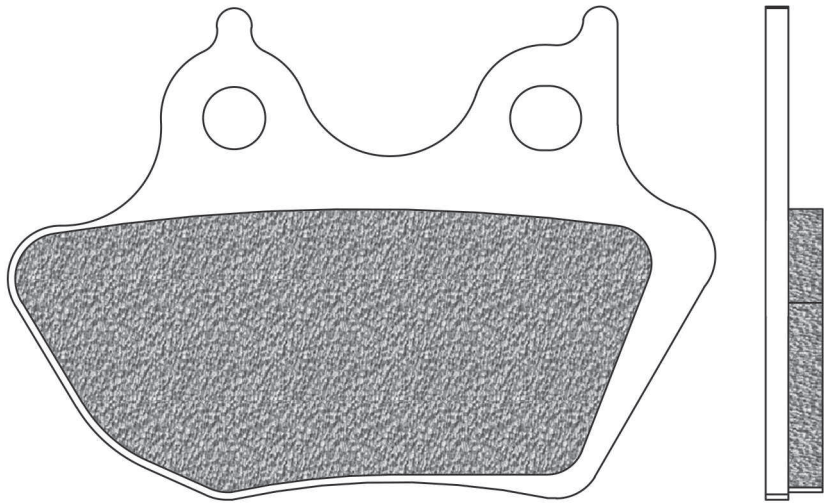
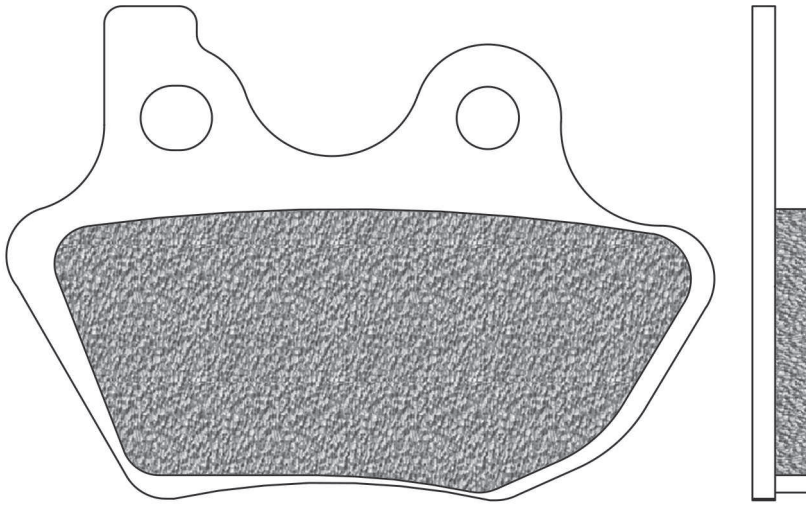
interasse fori 74 mm diametro M6 th 17

FD0290

SH

D1 (mm): 93x65,2x7,5 (lxhxsp.)

D2 (mm): 93x65,2x7,5 (lxhxsp.)



HARLEY DAVIDSON	Year	A/P
XL 883 SPORTSTER	00->03	A / P
XLC 883 SPORTSTER CUSTOM	00->03	A / P
XLH 883 R FLAT TRACK	00->04	A / P
VRSCA 1130 V-ROD	02->04	A / P
XL 1200 SPORTSTER	00->03	A / P
XLC 1200 SPORTSTER CUSTOM	00->03	A / P
XLS 1200 SPORTSTER SPORT	00->03	A / P
FLHR 1450 ROAD KING	00->04	A / P
FLHRCI 1450 ROAD KING CLASSIC	00->04	A / P
FLHRI 1450 ROAD KING	00->04	A / P
FLHT 1450 ELECTRA GLIDE	00->04	A / P
FLHTC 1450 ELECTRA GLIDE CLASSIC	00->04	A / P
FLHTCUI 1450 ELECTRA GLIDE ULTRA CLASSIC	00->04	A / P
FLSTC 1450 HERITAGE SOFTAIL CLASSIC	00->04	A / P
FLSTCI 1450 HERITAGE SOFTAIL CLASSIC	00->04	A / P
FLSTF 1450 FAT BOY SOFTAIL	00->04	A / P
FLSTFI 1450 FAT BOY SOFTAIL	00->04	A / P
FLSTS 1450 HERITAGE SOFTAIL SPRINGER	00->04	P
FLSTSI 1450 HERITAGE SOFTAIL SPRINGER	00->04	P
FLTR 1450 ROAD GLIDE	00->04	A / P
FLTRSEI 1450	00->04	A / P
FXD 1450 DYNA SUPER GLIDE	00->04	A / P

FXDL 1450 DYNA LOW RIDER	00->04	A / P
FXDS 1450 DYNA CONVERTIBLE	00->04	A / P
FXDWG 1450 DYNA WIDE GLIDE	00->04	A / P
FXDX 1450 DYNA SUPER GLIDE SPORT	00->04	A / P
FXDXT 1450 DYNA SUPER GLIDE T-SPORT	01->04	A / P
FXR 1450	00->04	A / P
FXST 1450 SOFTAIL STANDARD	00->04	A / P
FXSTB 1450 SOFTAIL NIGHTTRAIN	00->04	A / P

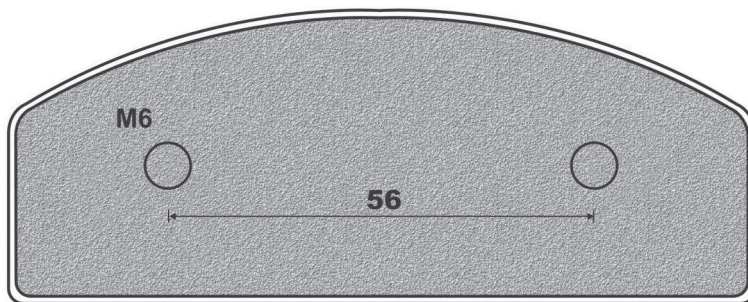
FXSTBI 1450 SOFTAIL NIGHTTRAIN	00->04	A / P
FXSTD 1450 SOFTAIL DEUCE	00->04	A / P
FXSTDI 1450 SOFTAIL DEUCE	00->04	A / P
FXSTI 1450 SOFTAIL STANDARD	00->04	A / P
FXSTS 1450 SPRINGER SOFTAIL	00->04	P
FXSTSI 1450 SPRINGER SOFTAIL	00->04	P

FD0291

K1

K5

D1 (mm): 99x39x17 (lxhxsp.)

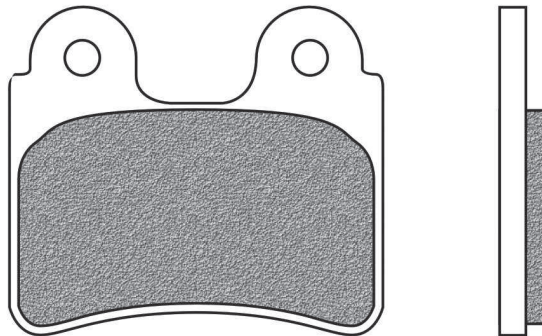


ENGLISH KART	Year	A/P
interasse fori 56 mm diametro M6 th 17		P

SWIFT	Year	A/P
interasse fori 56 mm diametro M6 th 17		P

FD0292
BD | X01

D1 (mm): 50x43,5x6 (lxhxsp.)



AJP	Year	A/P
PR3 125 ENDURO	08->	P
PR3 125 SUPERMOTARD	08->	P
PR4 125 ENDURO	04->07	P
PR4 125 SUPERMOTARD	04->07	P
PR3 200 ENDURO	08->	P
PR3 200 SUPERMOTARD	08->	P
PR4 200 ENDURO	04->07	P
PR4 200 SUPERMOTARD	04->07	P

BETA	Year	A/P
EVO 80	09->	A
REV 80	08->	A
EVO 125 2T	09->12	A
REV 3 125	00->05	P
REV 3 125	00->08	A
EVO 200 2T	09->12	A/P
REV 3 200	00->05	P
REV 3 200	00->08	A
EVO 250 2T	09->12	A/P

EVO 250 4T	13->	A
REV 250 4T	07->08	A
REV 3 250	00->04	P
REV 3 250	00->08	A
REV 3 270	00->04	P
REV 3 270	00->08	A
EVO 290 2T	09->12	A/P
EVO 300 2T	13->	A
EVO 300 4T	13->	A

GAS GAS	Year	A/P
EC 50 ROOKIE	05->	P
TX 125 RANDONE	12->13	A
TXT 125 PRO	04->13	A
TXT 200 PRO	04->13	A
TXT 250 (FORMULA CALIPER)	12->13	A
TXT 250 PRO	07->11	A
TXT 280	04	A
TXT 300	04->06	A

HONDA	Year	A/P
COTA 250 4RT	05->16	A
COTA 260 4RT	14->16	A

METRAKIT	Year	A/P
MINI GP 80 XL PRO	04->	A

MONTESA	Year	A/P
COTA 250 4RT	05->16	A
COTA 260 4RT	14->16	A
COTA 315 (360 cc)	01->04	A

OSSA	Year	A/P
TR 125 i	15->	A
TR 250 i	15->	A
TR 280 i	10->	A
TR 280 i EXPLORER	10->	A
TR 300 i	15->	A

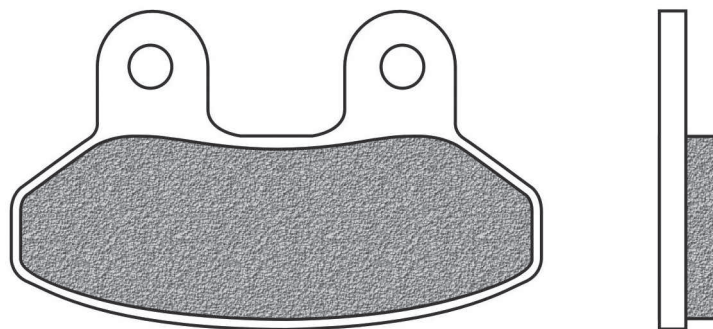
SCORPA	Year	A/P
SY 125 F	03->	A
TY 125 (4T)	05->	A
SY 175 F RACING	05->	A
SY 250	00->	A
SY 250 LONG RIDE	04->	A
SY 250 R	05->	A

SHERCO	Year	A/P
ST 125 1.25	06->11	A
ST 250 2.5	01	A
ST 290 2.9	01	A
ST 300	16->19	A
ST 320 3.2 4T	05	A

TRS	Year	A/P
TRRS 250 ONE	16->19	A
TRRS 280 ONE	16->19	A
TRRS 300 ONE	16->19	A

FD0293
BA | BE

D1 (mm): 70x42x8 (lxhxsp.)



LAVERDA	Year	A/P
PHOENIX 125	01->	A
PHOENIX 150	01->	A
PHOENIX 200	01->	A

RIEJU	Year	A/P
RS2 125 PRO	08->	A

SYM	Year	A/P
RS 50	05->	A
RS 21 50	02->	A
EURO 125 MX	02	A

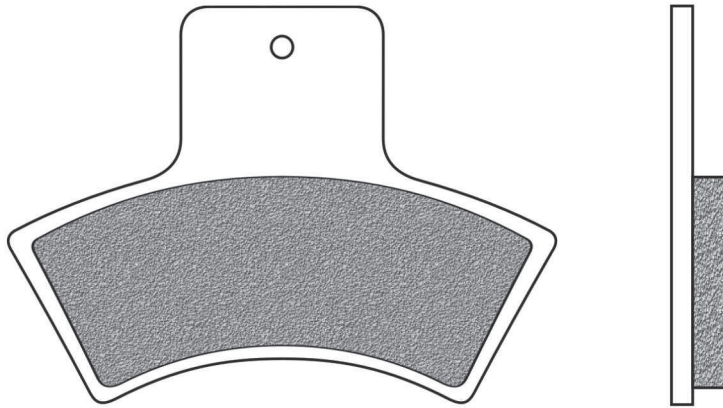
EURO 125 MX E2	03->04	A
HUSKY 125	99->	A
JOYRIDE 125	01->04	A
JOYRIDE 125 EURO 2	05->06	A
JOYRIDE 125 EURO 3	07->09	A
JOYRIDE 125 EVO	10->	A
JOYRIDE 125 S	16	A
RS 125	05->	A
RS 21 125	01->	A
SHARK 125	99->	A
VS 125	06	A
VS 125 EURO 3	07->08	A

EURO MX 150	02->	A
EURO MX 150 EU 2	03->04	A
JOYRIDE 150	01->02	A
RS 150	05->	A
VS 150	07	A
VS 150 EURO 3	07->08	A
JOYRIDE 200	01->04	A
JOYRIDE 200 I EVO	09->10	A
JOYRIDE 200 S	16	A

FD0294

BV | SV

D1 (mm): 73x52,5x7 (lhxsp.)



TRAIL BOSS 325	00->05	P
XPEDITION 325	00	P
TRAIL BLAZER 330 TRAIL BLAZER	04	P
TRAIL BOSS 330 TRAIL BOSS	03->07	P
SPORTSMAN 335 SPORTSMAN	99->00	P
SCRAMBLER 400	98->02	P
SPORT 400	99->00	P
SPORTSMAN 400	01->02	P
TRAIL BLAZER 400	03	P
XPLOER 400	99->00	P
XPEDITION 425 4x4	00	P
DIESEL 455	99->00	P
MAGNUM 500 4x4 RMK	99->01	P
SCRAMBLER 500 4x4	98->04	P
SPORTSMAN 500 / 4X4	98->04	P
SPORTSMAN 500 / 50ORSE	98->00	P
SPORTSMAN 500 / SWED / REM.ED	99->02	P
WORKER 500 4x4 EBS	98->00	P

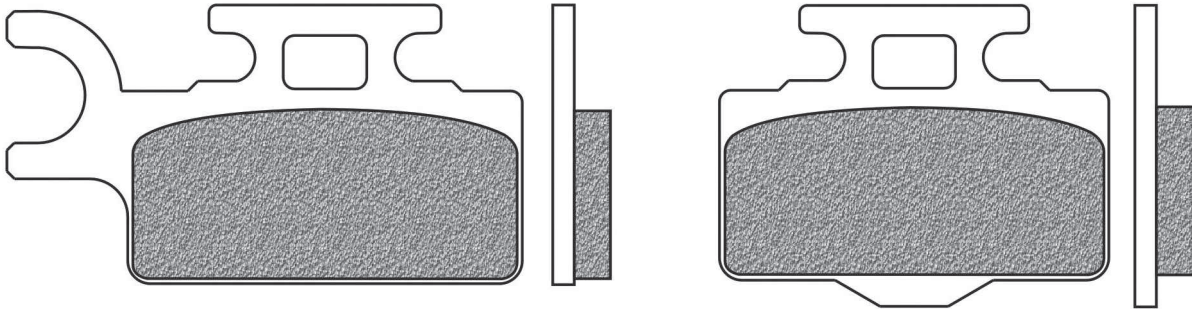
POLARIS	Year	A/P	XPLORER 250 4x4	00	P
TRAIL BLAZER 250 ES	99->04	P	MAGNUM 325 4x4	00	P

FD0295

BD | SD

D1 (mm): 68x37x7,5 (lhxsp.)

D2 (mm): 52x40x7,5 (lhxsp.)



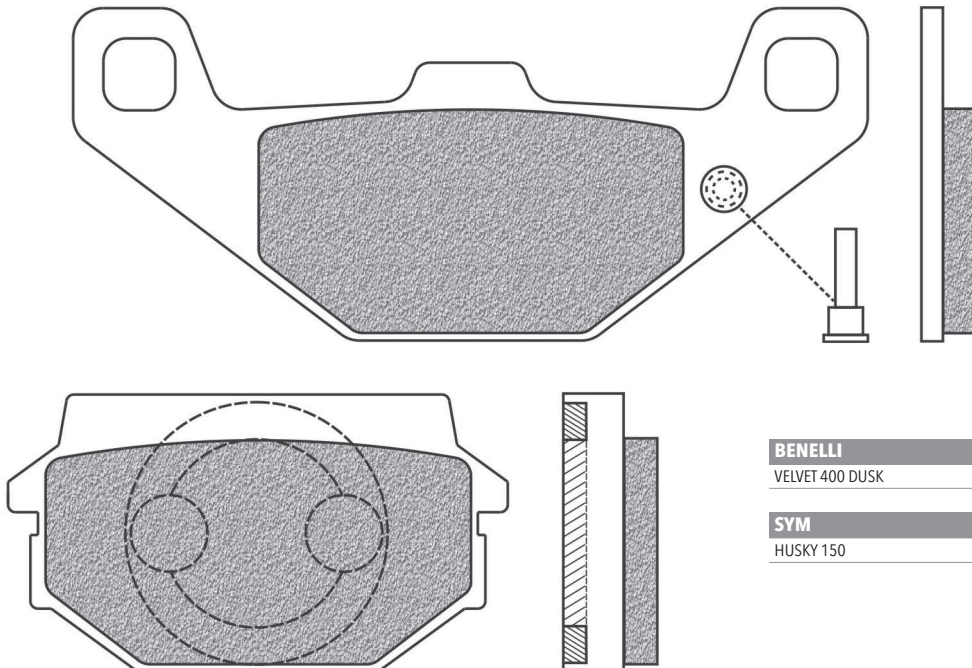
KAWASAKI	Year	A/P	SUZUKI	Year	A/P
KX 65	00->20	A	RM 65	03->06	A

FD0296

BA | BE

D1 (mm): 105x44x7,9 (lhxsp.)

D2 (mm): 66x36,5x12,6 (lhxsp.)



BENELLI	Year	A/P
VELVET 400 DUSK	03->	P

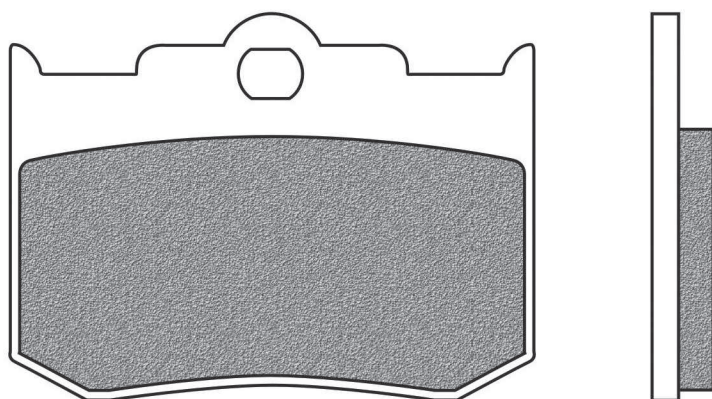
SYM	Year	A/P
HUSKY 150	99->	A

FIGURATO PASTIGLIE CON APPLICAZIONI | BRAKE PADS DRAWINGS AND APPLICATIONS | DESSINS PLAQUETTES AVEC APPLICATIONS | DISEÑOS PASTILLAS CON RELACION | ZEICHNUNGEN VON BREMSBELÄGE MIT VERWENDUNGSLISTE



FD0297
SH

D1 (mm): 69,5x51,5x7,9 (lxhxsp.)



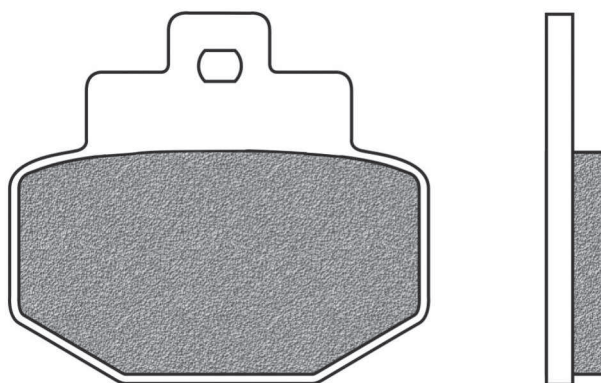
INDIAN	Year	A/P
CHIEF 1442	01->08	A / P
SCOUT 1442	01->08	A / P

MOTOR FACTORY	Year	A/P
4 Piston front/rear		A

PERFORMANCE MACHINE	Year	A/P
125X4R		A
125X4RSPH		A
137X4B		A
4 Piston Vintage		A

FD0298
BA | BE

D1 (mm): 55,5x49x7,5 (lxhxsp.)



PIAGGIO	Year	A/P
HEXAGON 125 GTX 4T	98->00	P
SUPER HEXAGON 125 GTX	01->02	P
VESPA 125 946 4T 3V	13->15	P
VESPA 125 GRANTURISMO	06->07	P
VESPA 125 GRANTURISMO L (pinza Grimeca)	03->05	P
VESPA 125 GRANTURISMO L (pinza HengTong)	03->05	P
VESPA 125 GTS 4T IE SUPER	09->16	P
VESPA 125 GTS EURO 3	07->12	P
VESPA 125 GTV	06->08	P
VESPA 125 GTV 4T NAVY EURO 3	08	P
HEXAGON 180 GTX 4T	01->	P
SUPER EXAGON 180 GTX	01->04	P
VESPA 200 GRANTURISMO (pinza Grimeca)	06->	P
VESPA 200 GRANTURISMO (pinza Heng Tong)	06->	P
VESPA 200 GRANTURISMO L (pinza Grimeca)	03->05	P
VESPA 200 GRANTURISMO L (pinza Heng Tong)	03->05	P
SUPER HEXAGON 250 GTX	00->	P
VESPA 250 GTS (pinza Grimeca)	05->	P
VESPA 250 GTS (pinza HengTong)	05->	P
VESPA 250 GTV	06->	P
VESPA 300 GTS IE	12->	P
VESPA 300 GTS SUPER	08->	P
VESPA 300 GTS SUPER SPORT	11->	P
VESPA 300 GTV IE	11->	P

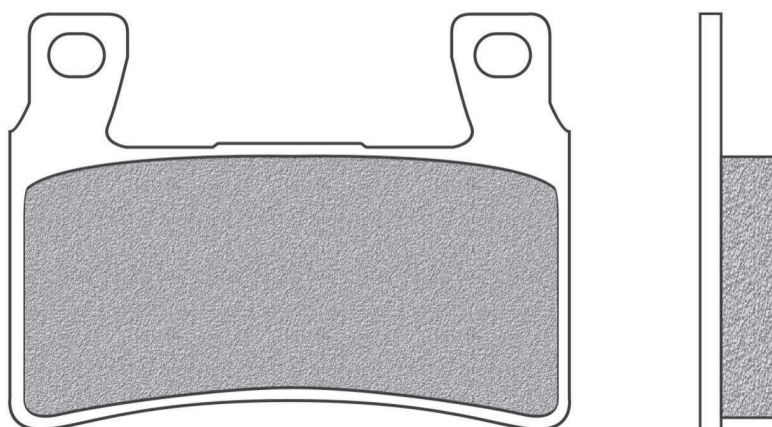
BENELLI	Year	A/P
ADIVA 125	00->02	P
ADIVA 150	00->02	P

GILERA	Year	A/P
DNA 50	00->07	P
DNA 50 GP EXPERIENCE	03->04	P
DNA 125	01	P

RUNNER 125 VX / VXR 4T	01->04	P
RUNNER 125 VX 4T	05->06	P
RUNNER 125 VX 4T RACE	06	P
RUNNER 125 VX 4T SC	06->07	P
RUNNER 125 VX 4T ST EURO 3	08->12	P
RUNNER 180 VXR	01->04	P
RUNNER 200 VXR 4T RACE	05->06	P
RUNNER 200 VXR 4T ST EURO 3	08->11	P

FD0300
BT

D1 (mm): 74x55x9,9 (lxhxsp.)



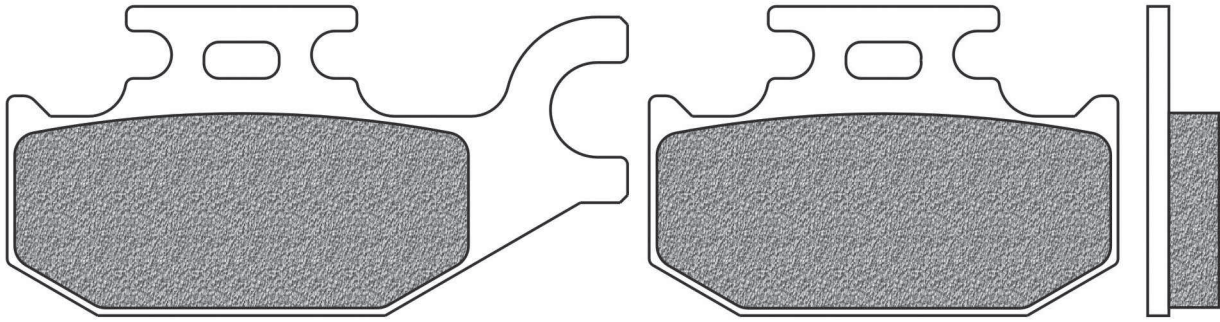
HONDA	Year	A/P
CBR 900 RR-FIREBLADE (918 cc)	98->99	A
CBR 900 RR-FIREBLADE (929 cc)	00->01	A
CBR 900 RR-FIREBLADE (954 cc)	02->03	A
VTR 1000 SP	00->07	A
CB 1300 F1	01	A

FD0301

BA | BE | BV | SE | SV

D1 (mm): 82x41x9,5 (lhxhxp.)

D2 (mm): 62x41x9,5 (lhxhxp.)



BOMBARDIER	Year	A/P
OUTLANDER 330	03->	A / P
OUTLANDER 400	03->	A / P
QUEST 500	02->	A / P
TRAXTER 500	01->	A / P
DS 650	00->01	A / P
QUEST 650	02->	A / P

CAN AM	Year	A/P
OUTLANDER 330 2x4	04->12	A / P
OUTLANDER 330 4x4	04->12	A / P
OUTLANDER 400 2x4	04->12	A / P
OUTLANDER 400 4x4	05->14	A / P
OUTLANDER 400 MAX STD/XT/EFI 4x4	06->14	A / P
OUTLANDER 400 MAX 4x4	04->12	A / P
OUTLANDER 400 XT 4x4	04->14	A / P
OUTLANDER 500 4x4	07->12	A / P
OUTLANDER 500 MAX 4x4	07->12	A / P
OUTLANDER 500 MAX XT 4x4	07->12	A / P
OUTLANDER 500 XT 4x4	07->12	A / P
QUEST 500	02->04	A
QUEST 500 XT	02->04	A
RENEGADE 500 HO EFI	08->12	A / P
TRAXTER 500 all models	02->05	A

DS 650	00->05	A / P
DS 650 BAJA	02->04	A / P
DS 650 X	05->09	A / P
OUTLANDER 650 4x4	06->12	A / P
OUTLANDER 650 MAX XT-P	10->12	A / P
OUTLANDER 650 XT / MAX / MAX XT 4x4	06->12	A / P
QUEST 650	03	A
QUEST 650 MAX	04	A
TRAXTER 650 all models	05	A
COMMANDER 800 MAX R DPS (sx / left)	16->20	P
OUTLANDER 800 4x4	06->09	A / P
OUTLANDER 800 MAX / MAX XT / MAX LTD 4x4	06->09	A / P
OUTLANDER 800 MAX R / XT / XT-P / LTD	10->13	A / P
OUTLANDER 800 R all models	10->12	A / P
OUTLANDER 800 XT	06->12	A / P
RENEGADE 800 EFI	07->11	A / P
RENEGADE 800 R / XXC	10->11	A / P
RENEGADE 800 X	08->11	A / P
COMMANDER 1000 MAX R DPS / XT / LTD (sx / left)	14->20	P
MAVERICK 1000 MAX STD (sx/left)	14->15	P
MAVERICK 1000 R XMR (sx/left)	13->18	P
MAVERICK 1000 STD / X RS / XXC (sx/left)	13->14	P
MAVERICK 1000 STD / XRS / XRS-DPS / XXC / XMR (sx/left)	13->18	P
MAVERICK 1000 XDS-DPS (sx/left)	15	P

CANNONDALE	Year	A/P
BLAZE 440	03->	A / P
CANNIBAL 440	03->	A / P
GLAMIS 440	03->	A / P
MOTO 440	03->	A / P
SPEED 440	03->	A / P

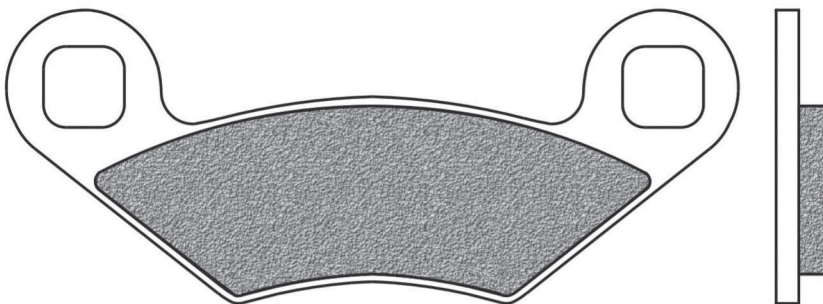
SUZUKI	Year	A/P
BURGMAN 125 UH	07->19	P
SIXTEEN 125 UX	08->12	P
SIXTEEN 150 UX	08->16	P
BURGMAN 200 UH	07->18	P
LT-A 700 KING QUAD	05	A

YAMAHA	Year	A/P
YFM 400 F BIG BEAR	05->06	P
YFM 400 F GRIZZLY	07->08	P
YFM 400 FAM/FAN KODIAK	00->01	P
YFM 450 FAR KODIAK	03->04	P
YFM 450 FAT KODIAK	05->06	P
YFM 450 FX WOLVERINE	06->10	P

FD0302

BV | SV

D1 (mm): 97x39x7 (lhxhxp.)



POLARIS	Year	A/P
RANGER 4X4 2 (series 10)	90->12	P
RANGER 6X6 2 (series 10)	90->12	P
TRAIL BLAZER 250	98	A
TRAIL BLAZER 250 ES	99->04	A
TRAIL BOSS 250	98->99	A
XPLORER 250 4x4	00	A
HAWKEYE 300 2x4 / 4x4	06	A
HAWKEYE 300 2x4 E	07->11	A / P
SPORTSMAN 300 4x4	08->10	A / P

XPLORER 300	96->00	A
XPRESS 300	98->05	A
HAWKEYE 325 2x4	15	A
MAGNUM 325 2x4	02->05	A
MAGNUM 325 4x4	00	A
SPORTSMAN 325 ETX EFI	15	A
TRAIL BOSS 325	00->05	A
XPEDITION 325	00	A
ATP 330 4x4	04->07	A / P
MAGNUM 330 2x4 / HDS	03	A

MAGNUM 330 4x4	03->04	A
TRAIL BLAZER 330 / INTL	08->12	A
TRAIL BLAZER 330 TRAIL BLAZER	04	A
TRAIL BOSS 330 / INTL	08->12	A
TRAIL BOSS 330 TRAIL BOSS	03->07	A
SPORTSMAN 335 SPORTSMAN	99->00	A
L 350 2x4 / 4x4	91->93	A
HAWKEYE 400 2x4 HO	11->15	A
SCRAMBLER 400	98->02	A
SPORT 400	98->00	A
SPORTSMAN 400	01->14	A
SPORTSMAN 400	08->10	P
TRAIL BLAZER 400	03	A
XPLORER 400	98->00	A
MAGNUM 425 2x4	98	A
MAGNUM 425 4x4 / SWED	98	A
XPEDITION 425 4x4	00	A
OUTLAW 450 MXR	09	P
OUTLAW 450 S	08->09	P
SPORTSMAN 450 / EPS QUAD	06->16	A
SPORTSMAN 450 HO / EFI / MD / TRACTOR	16->20	A
DIESEL 455	99->00	A
ACE 500	17->19	P
ATP 500	04->05	A
BIG BOSS 500 6x6 SWED	98->99	A
MAGNUM 500 4x4 RMK	99->05	A
OUTLAW 500	06->09	A / P

FIGURATO PASTIGLIE CON APPLICAZIONI | BRAKE PADS DRAWINGS AND APPLICATIONS | DESSINS PLAQUETTES AVEC APPLICATIONS | DISEÑOS PASTILLAS CON RELACION | ZEICHNUNGEN VON BREMSBELÄGE MIT VERWENDUNGSLISTE

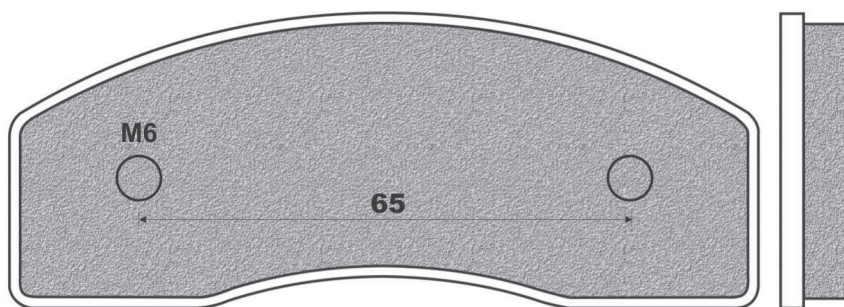


... FD0302

... segue POLARIS	Year	A/P						
PREDATOR 500	03->05	A / P	SPORTSMAN 500 X2	06->09	A / P	SPORTSMAN 800 EFI / HO	05->14	A
PREDATOR 500 E	06->09	A	SPORTSMAN ACE 500	17	P	SPORTSMAN 800 EFI TOURING	08->09	A / P
SCRAMBLER 500	05->12	A	SPORTSMAN E 500	06->09	A	SPORTSMAN 800 EFI TOURING INTL	08->09	A
SCRAMBLER 500 4x4	98->04	A	SPORTSMANS 500 FOREST	11->12	A	SPORTSMAN 800 FOREST	12	A
SPORTSMAN 500	03->05	A	WORKER 500 4x4 EBS	98->00	A	SPORTSMAN 800 X2 EFI	07->09	A / P
SPORTSMAN 500 / 4X4	98->04	A	XPLOER 500 4x4	97	A	SPORTSMAN 1000 XP	16->19	A
SPORTSMAN 500 / 500RSE	98->00	A	OUTLAW 525 IRS	07->11	P			
SPORTSMAN 500 / SWED	98	A	OUTLAW 525 S	07->11	P			
SPORTSMAN 500 / SWED / REM.ED	99->02	A	RZR 570 EFI	12->20	P			
SPORTSMAN 500 6x6	06->09	A	SPORTSMAN 570 EFI / XP EPS / MD / UTE HD	14->20	A			
SPORTSMAN 500 EFI TOURING	08->09	A / P	SPORTSMAN 570 EFI EPS FOREST / TOURING TRACTOR	15->17	A			
SPORTSMAN 500 EFI TOURING QUAD	08->09	A	SPORTSMAN 570 SP / SP TOURING	14->20	A			
SPORTSMAN 500 EFI TRACTOR	09->10	A	SPORTSMAN 570 TRACTOR / PREMIUM	14->20	A			
SPORTSMAN 500 EFI X2 QUAD	08->09	A	SPORTSMAN ACE 570 EFI / HD/SP	17->18	P			
SPORTSMAN 500 FOREST TRACTOR	11->14	A	SPORTSMAN 600	03->05	A			
SPORTSMAN 500 H.O. / EFI	06->12	A	SPORTSMAN 700	02->07	A			
SPORTSMAN 500 H.O. / EFI INTL	10	A	SPORTSMAN 700 X2 EFI	08->09	A / P			
SPORTSMAN 500 H.O. TOURING	10->12	A	RZR 800 EFI / INTL	08->12	P			
SPORTSMAN 500 H.O. TOURING INTL	10	A	RZR S 800 EFI	09->14	P			
SPORTSMAN 500 SPORTSMAN EFI E	06	A	SPORTSMAN 800 6x6 EFI	10->14	A			
			SPORTSMAN 800 6X6 FOREST	12	A			

FD0303
K1

D1 (mm): 98,5x38,5x12 (lxhxsp.)

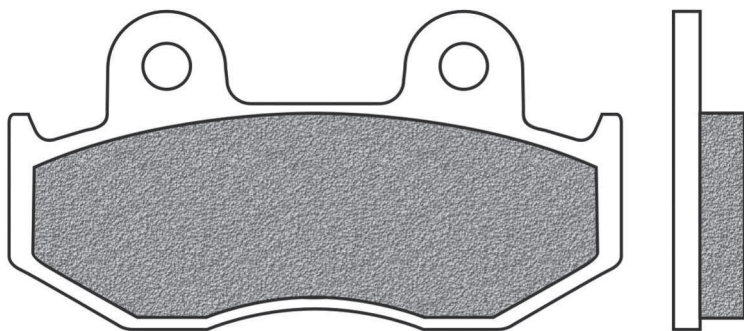


PCR	Year	A/P
interasse fori 65 mm diametro M6 th 12		P

TOP KART	Year	A/P
interasse fori 65 mm diametro M6 th 12		P

FD0304
BA | BE | BT | SE

D1 (mm): 81x42x9,3 (lxhxsp.)



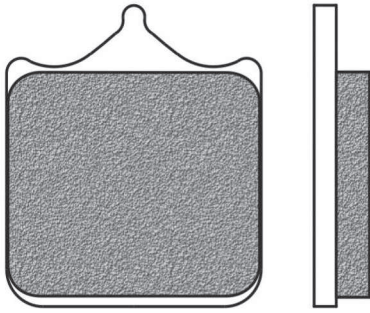
HONDA	Year	A/P
NH 100 LEAD	00->	A
NHX 110	08->09	A
@ 125 NES (tambuto post/rear drum)	00->	A
CH 125 SPACY	94->	A
DYLAN 125 SES	01->07	A
PSi 125	06->13	A
SH 125 (tambuto post/rear drum)	00->08	A
@ 150 NES (tambuto post/rear drum)	00->	A
DYLAN 150 SES	01->06	A
PSi 150	06->11	A
SH 150 (tambuto post/rear drum)	00->08	A

YAMAHA	Year	A/P
YFZ 450	06->10	P
YFM 700 R RAPTOR	13->19	P
YFM 700 R RAPTOR SPECIAL EDITION	13->20	P
YXR 700 F RHINO	08->14	P

FD0305 (4 pz.)

RO1 | SP | TS

D1 (mm): 35x40,5x7,5 (Lxhxsp.)



APRILIA	Year	A/P
RSV 1000 MILLE	02->03	A
RSV 1000 MILLE NERA	04	A
RSV 1000 MILLE R	01->07	A
RSV 1000 MILLE R FACTORY	04->05	A
RSV 1000 TUONO R	03	A
RSV 1000 TUONO R FACTORY	06->12	A
BENELLI	Year	A/P
BX 449 SUPERMOTARD	08->	A
CRUISER 500 502 C	19->	A
LEONCINO 500	17->20	A
TRK 502 500 ABS	17	A
BN 600	14->	A
BN 600 GT	14->	A
BN 600 R	14->	A
CUE 756	07->09	A
TNT 899 CENTURY RACER	11->	A
TORNADO TRE 900	03->06	A
TORNADO TRE 900 RS	04->06	A
TNT 1130 CAFE RACER	05->06	A
TNT 1130 CENTURY RACER	11->	A
TNT 1130 OFFICINE	07->	A
TNT 1130 SPORT	05	A
TNT 1130 TITANIUM	05->	A
TORNADO 1130	06->	A
TORNADO 1130 TRE	06->08	A
TORNADO 1130 TRE R	13->	A
BIMOTA	Year	A/P
DB5 1000 DELIRIO	07->	A
DB5 1000 MILLE	05->11	A
DB5 1000 S	07->11	A
SB8K 1000 SANTAMONICA	07->	A
DB10 1078 BIMOTARD	12->	A
DB5 1078 RE	12->	A
DB7 1098	08	A
DB6R 1100 DELIRIO	08->	A
TESI 1100 3D	07->	A
DB12 1200	12->	A

DB9 1200	12->	A
BMW	Year	A/P
G 450 SMR	09->11	A
BREMO	Year	A/P
20.7850.11/21 Gold line Road 4 pad		A
XA32950 - P4 34 AXIAL Motard		A
CAGIVA	Year	A/P
X-RAPTOR 1000	03	A
X3-RAPTOR 1000	04->	A
DUCATI	Year	A/P
748 R	01->02	A
749 (748cc)	03->06	A
749 DARK (748cc)	04->06	A
749 R (748cc)	04->06	A
749 S (748cc)	03->06	A
996 R	01	A
998	02->03	A
998 MATRIX	04	A
998 R	02	A
998 R - S	02->03	A
998 RS (con antisaltellamento)	02->03	A
998 S	02->06	A
998 S (pinza radiale)	02->03	A
998 S BAYLISS - BOSTROM	02	A
998 S FINAL EDITION	04	A
999 (998cc)	03->06	A
999 R (998cc)	03->06	A
999 RS (998cc) (con antisaltellamento)	04->05	A
999 S (998cc)	02->07	A
HYPERMOTARD 1000	06	A
MONSTER 1000	03->05	A
MONSTER 1000 S	05	A
MONSTER 1000 S4R	07->08	A
MONSTER 1000 S4RS	06->08	A
MONSTER 1000 S4RS TRICOLORE	08	A
GILERA	Year	A/P
SUPERSPORT 600	02->	A
HUSQVARNA	Year	A/P
SMR 449	11->	A
SM 450 R	05->09	A
SM 450 RR	06->	A
SM 510 R	05->	A
SMR 511	11->	A
SM 610 IE	07->	A
SM 630	10->	A
STR 650 CRC	07->	A
SM 701 SUPERMOTO	15->20	A
HYOSUNG	Year	A/P
RX 450 SM	08->	A
KTM	Year	A/P
LC4 690 DUKE	08->11	A
LC4 690 DUKE R	10->11	A

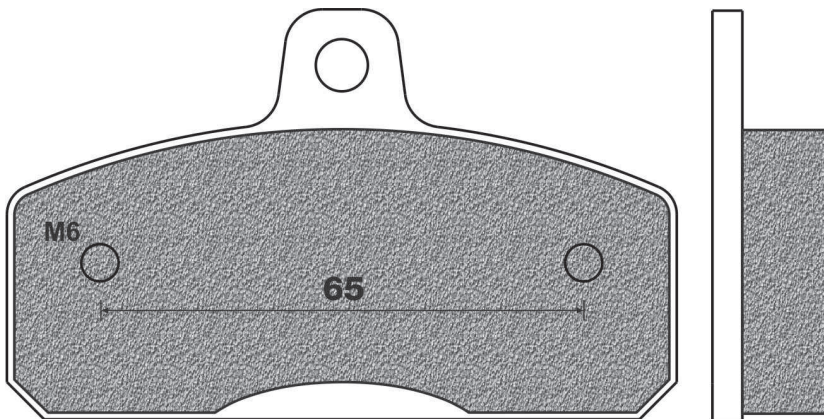
LC4 690 SM PRESTIGE	07	A
LC4 690 SMC	08->11	A
LC4 690 SMC R	12->17	A
LC4 690 SMR	08	A
LC8 950 SM	05->08	A
LC8 950 SMR	07	A
LC8 990 SUPER DUKE	05->12	A
LC8 990 SUPER DUKE R	07->13	A
LC8 990 SUPERMOTO	08->09	A
LC8 990 SUPERMOTO T	09->13	A
LAVERDA	Year	A/P
SFC 1000	03->	A
MONDIAL	Year	A/P
PIEGA 999 (1000cc)	03->	A
PIEGA EVO 999 (1000cc)	03->	A
PIEGA NUDA 999 (1000cc)	04->	A
RZ NUDA 999 (1000cc)	02->	A
RZ STARFIGHTER 999 (1000cc)	02->	A
MOTO GUZZI	Year	A/P
GRISO 750	04->	A
MGS-01 1200 CORSA	05->	A
MOTO MORINI	Year	A/P
GRANFERRO 1200	10->	A
MV AGUSTA	Year	A/P
BRUTALE 910	05->08	A
BRUTALE 910 R	05->08	A
BRUTALE 910 S	05->08	A
F4 1000 312 R - 312 R 1+1 - STOCK 312	08	A
F4 1000 S - R - RR - S 1+1 - R 1+1 - RR 1+1	06->07	A
F4 1000 S - S 1+1 - AGO - TAMBURINI - STOCK	02->05	A
F4 1000 SENNA	06	A
F4 1000 STOCK - VELTRO - SBK Replica	06	A
F4 1078 312 R - 312 R 1+1	08	A
NORTON	Year	A/P
COMMANDO 961 CAFE RACER	11->	A
COMMANDO 961 SE	12->	A
COMMANDO 961 SF	13->	A
SHERCO	Year	A/P
SM 450 4.5 SUPERMOTARD	06->	A
SWM	Year	A/P
GRAN MILANO 440	18->20	A
SUPER DUAL 650	15->18	A
TM	Year	A/P
SMX 450 F	04->	A
SMX 660 F	05->	A
TRIUMPH	Year	A/P
STREET SCRAMBLER 900	19->20	A
STREET TWIN 900	19->20	A
SPEED 94 1050	15->16	A
SPEED TRIPLE 1050	16->18	A
SPEED TWIN 1200	20	A

FIGURATO PASTIGLIE CON APPLICAZIONI | BRAKE PADS DRAWINGS AND APPLICATIONS | DESSINS PLAQUETTES AVEC APPLICATIONS | DISEÑOS PASTILLAS CON RELACION | ZEICHNUNGEN VON BREMSBELÄGE MIT VERWENDUNGSLISTE

FD0306

D1 (mm): 90x55x16 (Lxhxsp.)

K1



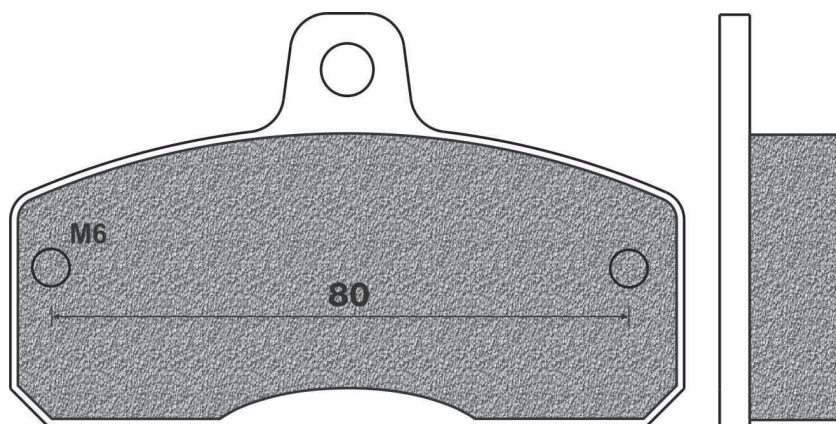
BIREL	Year	A/P
interasse fori 65 mm diametro M6 th 16lb		P



FD0307

K1

D1 (mm): 90x55x16 (lxxhxp.)



TIBIKART

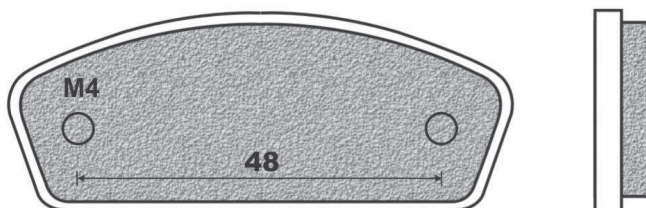
interasse fori 80 mm diametro M6

Year	A/P
	P

FD0308

K1

D1 (mm): 67,5x26,5x7 (lxxhxp.)



PCR

interasse fori 48 mm diametro M4 th 7

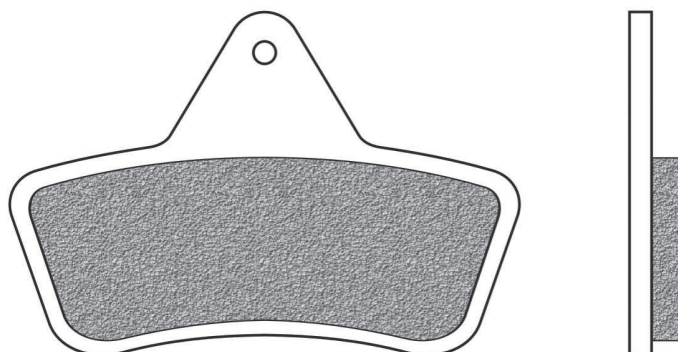
Year	A/P
	A

FD0309

BV

SV

D1 (mm): 68x44x7,7 (lxxhxp.)



ARCTIC CAT	Year	A/P
ARCTIC CAT 250 2x4	99->	A / P
ARCTIC CAT 300 2x4	98->03	A / P
ARCTIC CAT 300 4x4	98->04	A / P
ARCTIC CAT 375 2x4	02->	A / P
ARCTIC CAT 375 4x4	02->	A / P
ARCTIC CAT 400 2x4	98->00	A / P
ARCTIC CAT 400 4x4	98->00	A / P

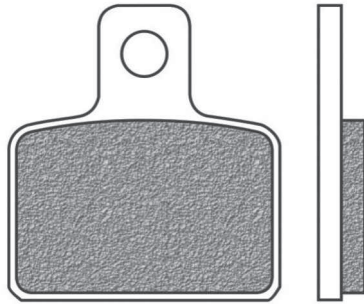
BEAR CAT 400 2x4 - 4x4	98->	A / P
IA 400 4x4	05->	A / P
ARCTIC CAT 440 4x4	98	A / P
BEAR CAT 450 2x4 - 4x4	96->97	A / P
ARCTIC CAT 500 4x4	98->00	A / P
IA 500 4x4 AUT	05->	A / P
IA 500 4x4 TBX/TRV	05->	A / P

LAVERDA	Year	A/P
QUASAR 125 HP	04->	P
QUASAR 180 HP	04->	P
QUASAR 400 4x4	04->	A / P
QUASAR 500 4x4	04->	A / P
QUASAR 500 C 4x4	04->	A / P

FD0315

BD

D1 (mm): 36x39x6 (lxhxsp.)



MONTESA	Year	A/P
COTA 250 4RT	05->16	P
COTA 260 4RIDE	16->19	P
COTA 260 4RT	14->16	P
COTA 260 4RT RACE REPLICA	15->19	P
COTA 300 RR	16->19	P
COTA 315 (360 cc)	01->04	P

OSSA	Year	A/P
TR 125 i	15->	P
TR 250 i	15->	P
TR 280 i	10->	P
TR 280 i EXPLORER	10->	P
TR 300 FACTORY R	15->	P
TR 300 i	15->	P

SCORPA	Year	A/P
SY 125 F	03->	P
TY 125 (4T)	05->	P
SY 175 F RACING	05->	P
SY 250	00->	P
SY 250 LONG RIDE	04->	P
SY 250 R	05->	P

SHERCO	Year	A/P
ST 125 (FORMULA CALIPER)	13->14	P
ST 125 1.25	06->11	P
ST 250 (FORMULA CALIPER)	13->14	P
ST 250 2.5	01	P
ST 290 (FORMULA CALIPER)	13->14	P
ST 290 2.9	01	P
ST 300	16->19	P
ST 300 (FORMULA CALIPER)	13->14	P
ST 320 3.2 4T	05	P

TRS	Year	A/P
TRRS 125 ONE	19->20	P
TRRS 125 ONE RR	19->20	P
TRRS 250 ONE	16->19	P
TRRS 250 ONE RR	19->20	P
TRRS 280 ONE	16->19	P
TRRS 280 ONE RR	19->20	P
TRRS 300 ONE	16->19	P
TRRS 300 ONE RR	19->20	P

VERTIGO	Year	A/P
COMBAT 300 CAMO	15->	P
COMBAT 300 ICE HELL	15->	P

APRILIA	Year	A/P
MINI RX 50	04->	A

BETA	Year	A/P
PRO RACE 50	04->	A/P

FACTORY	Year	A/P
R12 50 PHANTOM AGUA	06->	A
R14 50 PHANTOM AGUA	04->	A
R2 65 PHANTOM	04->	A

GAS GAS	Year	A/P
TX 125 RANDONE	12->13	P
TXT 125 (Formula caliper)	12->13	P
TXT 125 GP	19->20	P
TXT 125 PRO	04->13	P
TXT 125 PRO RACING	14	P
TXT 125 PRO REPLICA	13	P
TXT 125 RACING	19->20	P
TXT 200 PRO	04->13	P
TXT 250 (FORMULA CALIPER)	12->13	P
TXT 250 GP	19->20	P
TXT 250 PRO	07->11	P
TXT 250 PRO RACING	14->19	P
TXT 250 PRO REPLICA	13->14	P
TXT 250 RACING	19->20	P
TXT 280	04	P
TXT 280 GP	19->20	P
TXT 280 PRO RACING	14->19	P
TXT 280 PRO REPLICA	13	P
TXT 280 RACING	19->20	P
TXT 300	04->06	P
TXT 300 GP	19->20	P
TXT 300 PRO RACING	14->19	P
TXT 300 PRO REPLICA	13	P
TXT 300 RACING	19->20	P

HONDA	Year	A/P
COTA 250 4RT	05->16	P
COTA 260 4RIDE	16->19	P
COTA 260 4RT	14->16	P
COTA 260 4RT RACE REPLICA	15->19	P
COTA 300 RR	16->18	P

HUSQVARNA	Year	A/P
CR 50 JUNIOR	06->	A
CR 50 PRO SENJOR	06->	A
CR 50 SENJOR	06->	A
SM 50	10->	A

JOTAGAS	Year	A/P
JT 125	14->19	P
JT 250	14->19	P
JT 280	14->19	P
JT 300	14->19	P

MACBOR	Year	A/P
XC 50 510 RACING	04->	A
XC 50 512 PRO	04->	A
XC 50 512 R 6V	04->	A
XC 50 512 RACING	04->	A
XC 50 512 T	04->	A

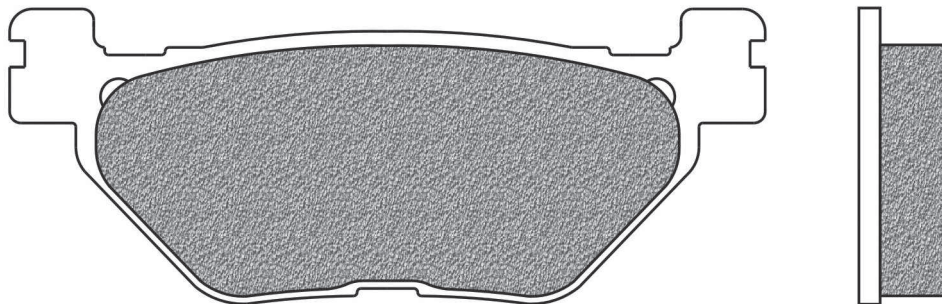
METRAKIT	Year	A/P
FUN 50 2 STROKE	05->	P
FUN 50 4 STROKE	05->	P
MINI GP 50	03->	P
MINI GP 50 XL	05->	P
MINI GP 80 XL PRO	04->	P
XL 08 80	08->	P
PRE GP 125	07->	P

FD0316

BA

BE

D1 (mm): 100x39x12 (lxhxsp.)



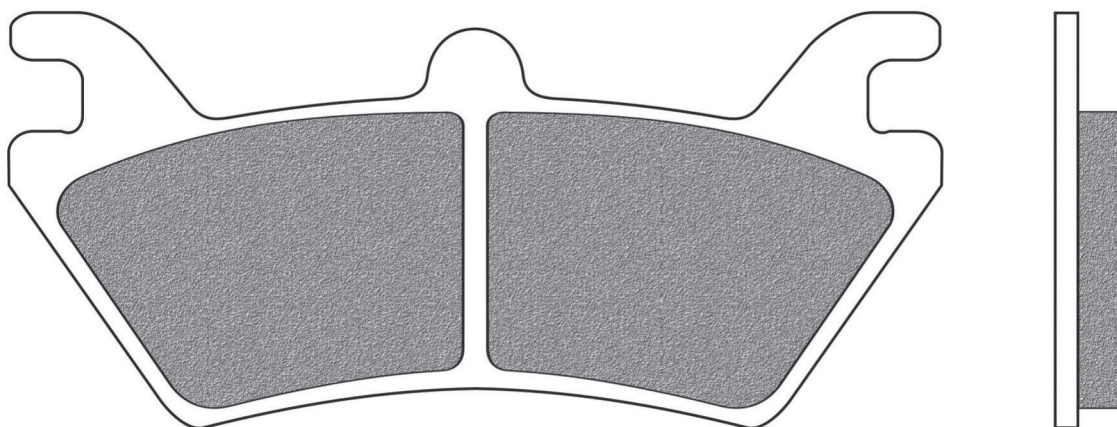
YAMAHA	Year	A/P
T MAX 500 XP	01->03	P

FIGURATO PASTIGLIE CON APPLICAZIONI | BRAKE PADS DRAWINGS AND APPLICATIONS | DESSINS PLAQUETTES AVEC APPLICATIONS |
 DISEÑOS PASTILLAS CON RELACION | ZEICHNUNGEN VON BREMSBELÄGE MIT VERWENDUNGSLISTE



FD0317
SV

D1 (mm): 123,5x55x9,3 (lhxsp.)


POLARIS

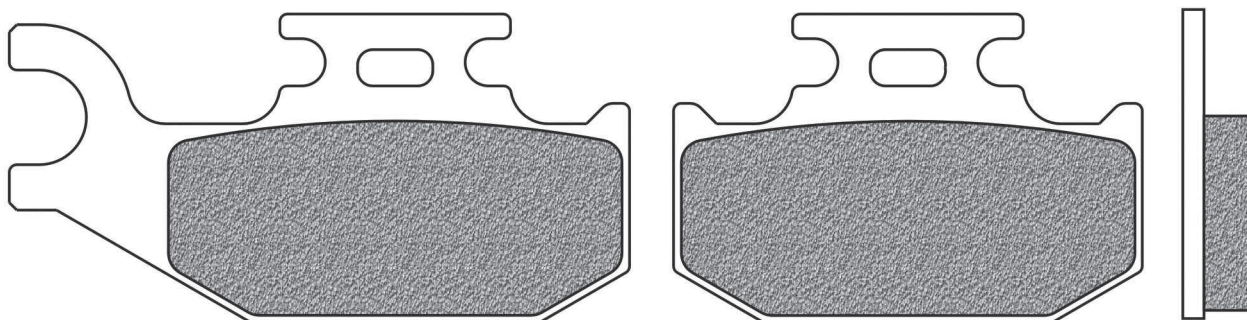
SPORTSMAN 500 6x6

Year	A/P
06->09	P

FD0318
BV
SV

D1 (mm): 82x41x9,5 (lhxsp.)

D2 (mm): 62x41x9,5 (lhxsp.)


BOMBARDIER

Year	A/P
03->	A
03->	A
02->	A
01->	A
00->01	A
02->	A

CAN AM

Year	A/P
04->12	A
04->12	A
04->12	A
05->14	A
06->14	A
04->12	A
04->14	A
07->12	A
07->12	A
07->12	A
07->12	A
07->12	A
02->04	A / P
02->04	A / P
08->12	A

TRAXTER 500 all models	02->05	A / P
RYKER 600 ACE	19->20	P
DS 650	00->05	A
DS 650 BAJA	02->04	A
DS 650 X	05->09	A
OUTLANDER 650 4x4	06->12	A
OUTLANDER 650 MAX XT-P	10->12	A
OUTLANDER 650 XT / MAX / MAX XT 4x4	06->12	A
QUEST 650	03	A / P
QUEST 650 MAX	04	A / P
TRAXTER 650 all models	05	A / P
COMMANDER 800 MAX R DPS (dx / right)	16->20	P
OUTLANDER 800 4x4	06->09	A
OUTLANDER 800 MAX / MAX XT / MAX LTD 4x4	06->09	A
OUTLANDER 800 MAX R / XT / XT-P / LTD	10->13	A
OUTLANDER 800 R all models	10->12	A
OUTLANDER 800 XT	06->12	A
RENEGADE 800 EFI	07->11	A
RENEGADE 800 R / XXC	10->11	A
RENEGADE 800 X	08->11	A
RYKER 900	19->20	P
COMMANDER 1000 MAX R DPS / XT / LTD (dx / right)	14->20	P
MAVERICK 1000 MAX STD (dx/right)	14->15	P

MAVERICK 1000 R XMR (dx/right)	14->18	P
MAVERICK 1000 STD / X RS / XXC (dx/right)	13->14	P
MAVERICK 1000 STD / XRS / XRS-DPS / XXC / XMR (dx/right)	13->18	P
MAVERICK 1000 XDS-DPS (dx / right)	15	P

CANNONDALE

Year	A/P
03->	A
03->	A
03->	A
03->	A
03->	A

POLARIS

Year	A/P
17->19	P
19->20	P

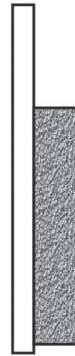
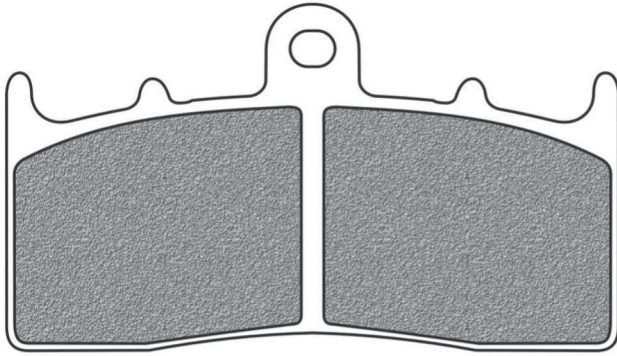
SUZUKI

Year	A/P
02	P
05	A

FD0319

BT | SP | TS

D1 (mm): 81,5x46x9 (lxhxsp.)



R 1200 C CLASSIC	03->04	A
R 1200 C I/M	03->04	A
R 1200 C INDEPENDENT	03->	A
R 1200 C MONTAUK	04->	A
R 1200 CL	01->06	A
R 1200 MONTAUK	02->04	A
R 1200 R	06->14	A
R 1200 R 10	09->12	A
K 1300 R	09->15	A
K 1300 R CARBON	12	A
K 1300 R DYNAMIC	11->15	A
K 1600 B	17->20	A
K 1600 GRAND AMERICA	18->20	A
K 1600 GT	10->20	A
K 1600 GTL	10->20	A
K 1600 GTL E	12->	A

BMW	Year	A/P
R 850 R (21_0097 - 259R)	02	A
R 850 R (21_0145 - R28)	02->07	A
R 1100 S ABS	00->06	A

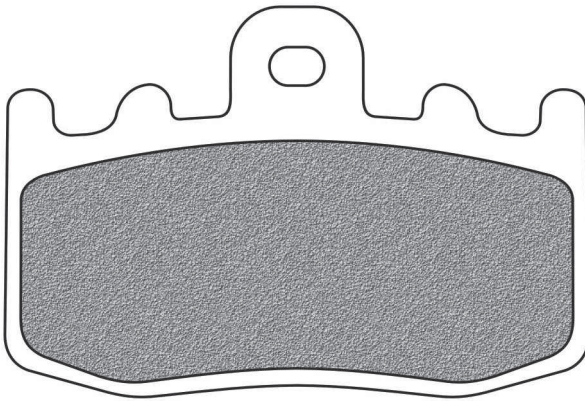
R 1150 R	99->06	A
R 1150 R ROCKSTER	02->06	A
R 1150 RS	00->05	A
K 1200 R	05->11	A

KAWASAKI	Year	A/P
ZRX 400	98->01	A

FD0320

BT | SP | TS

D1 (mm): 77,5x51,5x8,6 (lxhxsp.)



R 1150 RT	00->06	A
HP2 1200 MEGAMOTO	07->10	A
K 1200 GT	02->07	A
K 1200 GT (K41)	02->05	A
K 1200 RS	01->05	A
K 1200 S	05->08	A
R 1200 GS	03->12	A
R 1200 GS ADVENTURE	06->13	A
R 1200 GS TRIPPLE BLACK	11->	A
R 1200 RT	03->13	A
R 1200 S	04->07	A
R 1200 ST	03->07	A
K 1300 GT	09->11	A
K 1300 GT EE	10->11	A
K 1300 GT SE	10->11	A
K 1300 S	09->15	A
K 1300 S HP	12	A
K 1300 S SPORT	12	A

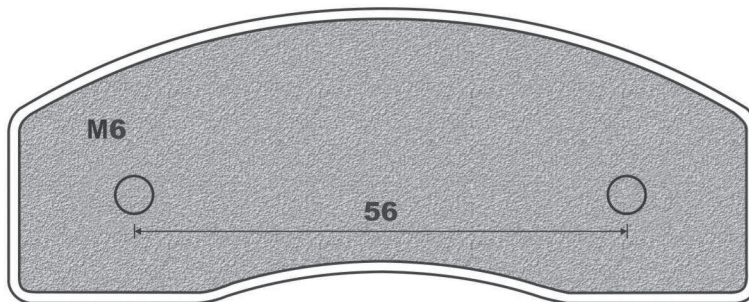
BMW	Year	A/P
R 850 R ROADSTER	01->	A
R 850 RT (21_0145 - R22)	00->06	A
R 850 RT INTEGRALABS	01->04	A

R 900 RT	05->13	A
R 1100 S	01->05	A
R 1150 GS	02->03	A
R 1150 GS ADV	01->05	A

FD0321

K1

D1 (mm): 99x39x12 (lxhxsp.)



PCR	Year	A/P
interasse fori 56 mm diametro M6 th 12		P

TOP KART	Year	A/P
interasse fori 56 mm diametro M6 th 12		P

--	--	--

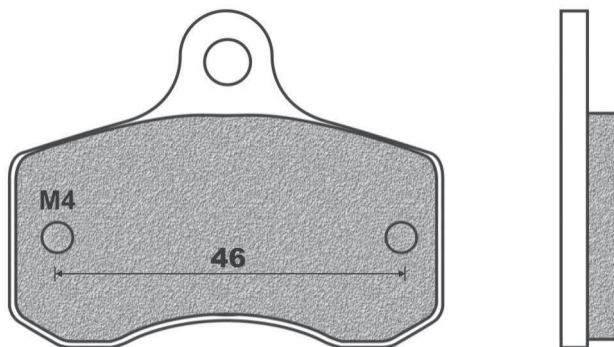
FIGURATO PASTIGLIE CON APPLICAZIONI | BRAKE PADS DRAWINGS AND APPLICATIONS | DESSINS PLAQUETTES AVEC APPLICATIONS |
 DISEÑOS PASTILLAS CON RELACION | ZEICHNUNGEN VON BREMSBELÄGE MIT VERWENDUNGSLISTE



FD0322

K1 | K6

D1 (mm): 57,5x45x8 (lhxsp.)


TONY KART

Year A/P

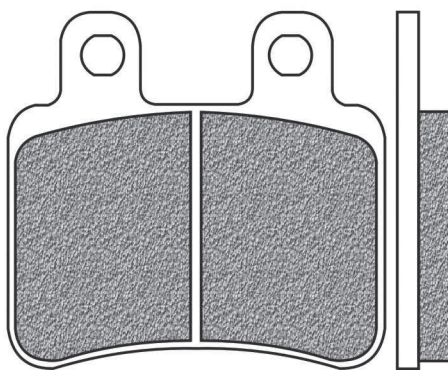
interasse fori 46 mm diametro M4 th 8

A

FD0323

BA | BD | BE

D1 (mm): 50x47,5x7 (lhxsp.)



BOULEVARD 150	02->04	A	JET FORCE 125	03->	P
BOULEVARD 200	05->	A	LOOXOR 125	02->	P
HM	Year	A/P	RS 125 GEOPOLIS	10->	P
CRE 50 all models	03->04	P	SATELIS 125	04->05	P
ITALJET	Year	A/P	SATELIS 125 ABS	04->	P
JET SET 50	02->	A	ELYSEO 150	01->	P
JET SET 125	02->	A	ELYSTAR 150	02->	P
JUPITER 125	02->	P	GEOPOLIS 400 (pinze AJP)	07->	P
MILLENIUM 125 (seconda serie)	01->	A	SATELIS 600 ABS	04->	P
JET SET 150	02->	A	SHERCO	Year	A/P
JUPITER 150	02->	P	ENDURO 50 SE	07->13	P
MILLENIUM 150 (seconda serie)	01->	A	SUPERMOTARD 50 SM	07->13	P
MALAGUTI	Year	A/P	SE 125 1.25F	10->12	P
CRW 50 MOTARD	03->	P	YAMAHA	Year	A/P
XSM 50	03->	P	DT 50 R	02->13	P
XTM 50	03->	P	DT 50 RSM SUPERMOTARD	03->05	P
PEUGEOT	Year	A/P	DT 50 X SUPERMOTARD	04->11	P
ELYSTAR 50	03->05	P	XT 125 R	05->11	P
XP S6 50 SUPERMOTARD	03->	P	XT 125 R (13D1)	07	P
ELYSEO 125	00->	P	XT 125 X SUPERMOTARD	05->11	P
ELYSTAR 125	02->	P	XT 125 X SUPERMOTARD (13D2)	07	P
GEOPOLIS 125	07->	P			

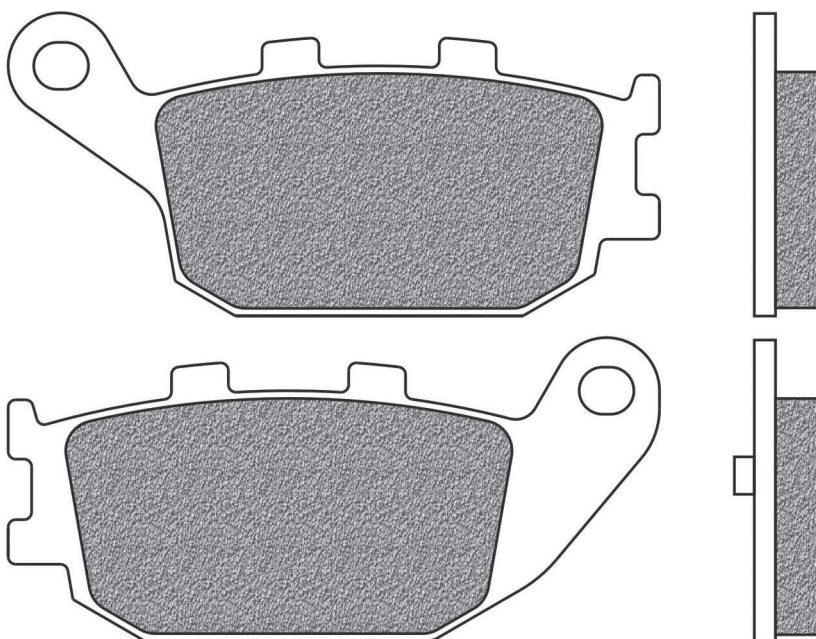
DERBI

	Year	A/P
BOULEVARD 125	02->04	A
BOULEVARD 125 S	07->	A
TERRA 125 ADVENTURE	08->	P
ATLANTIS 150	04->	A

FD0324

BA | BE

D1 (mm): 86x40x8,9 (lhxsp.)

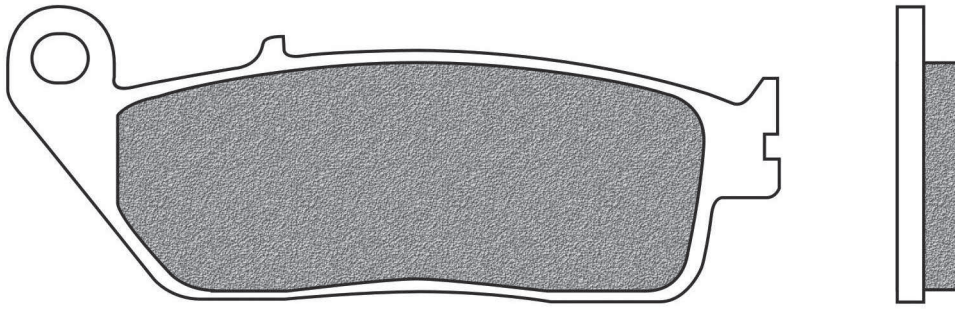

HONDA

	Year	A/P
FORZA 250 NSS	00->04	P
JAZZ 250	01->04	P
NSS 250	00->04	P
REFLEX 250	00->	P

FD0325

BE | BT | SE | TS

D1 (mm): 102x39x9 (lxhxsp.)



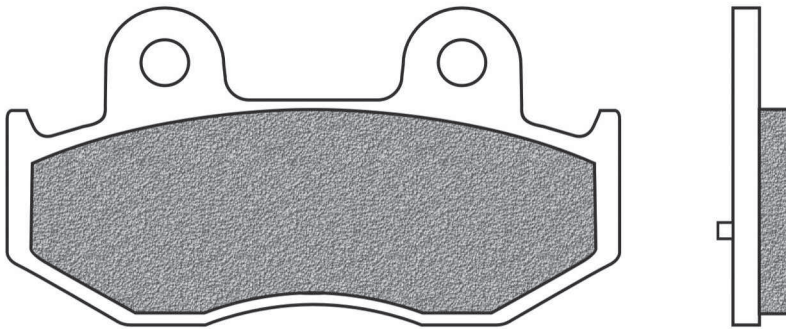
HONDA	Year	A/P
SILVER WING 400 FJS	06->08	P
SW-T 400	09->	P
SW-T 400 ABS	09->	P
SILVER WING 600 FSC	01->07	P
SILVER WING 600 FSC ABS	03->08	P
SW-T 600	11->18	P
DN-01 680	08->11	P

KYMCO	Year	A/P
DOWNTOWN 125 I	09->15	A
DOWNTOWN 200 I	10->15	A
DOWNTOWN 300 ABS	10->11	A
DOWNTOWN 300 I	09->11	A
DOWNTOWN 300 I ABS	10->11	A

FD0326

BA | BE | SE

D1 (mm): 81x42x8,3 (lxhxsp.)



KAWASAKI	Year	A/P
SC 250 EPSILON	02->	P

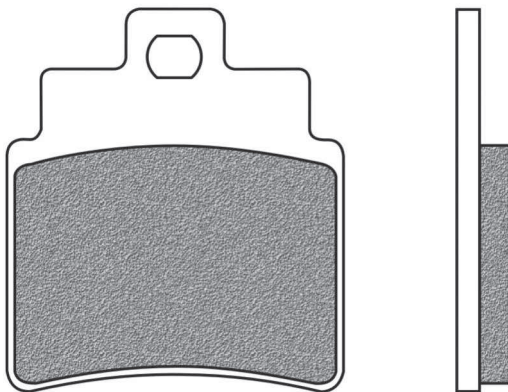
SUZUKI	Year	A/P
BURGMAN 250 AN	01->06	P
BURGMAN 400 AN	01->06	P

--	--	--

FD0327 (4 pz.)

BE | BV

D1 (mm): 44,5x51x7 (lxhxsp.)



KYMCO	Year	A/P
GRAND DINK 250	01->02	A
GRAND DINK 250 EURO 2	03->04	A
MXU 250	05->	P
MAXXER 300	06->	P
MAXXER 300 SUPERMOTO	15->	P

SYM	Year	A/P
GTS 125	06->07	A
GTS 125 JOYMAX	06->07	A
VOYAGER 125	05->	A
GTS 250	06->08	A
JOYMAX 250	05->07	A
JOYMAX 250 I EURO 3	07->08	A
VOYAGER 250	05->	A
JOYMAX 300 EVO	09	A
JOYMAX 300 EVO I	10	A
JOYMAX 300 I	12->14	A
GT 500	07->	A

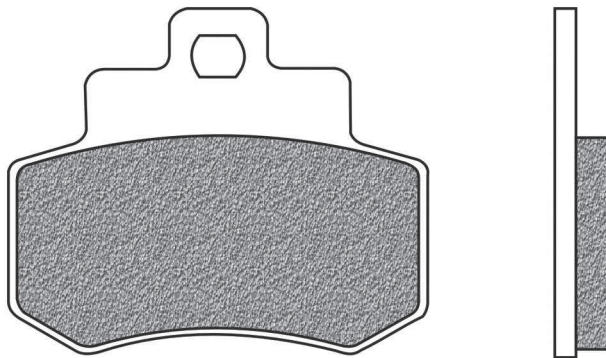
--	--	--

FIGURATO PASTIGLIE CON APPLICAZIONI | BRAKE PADS DRAWINGS AND APPLICATIONS | DESSINS PLAQUETTES AVEC APPLICATIONS |
 DISEÑOS PASTILLAS CON RELACION | ZEICHNUNGEN VON BREMSBELÄGE MIT VERWENDUNGSLISTE



FD0328
BA

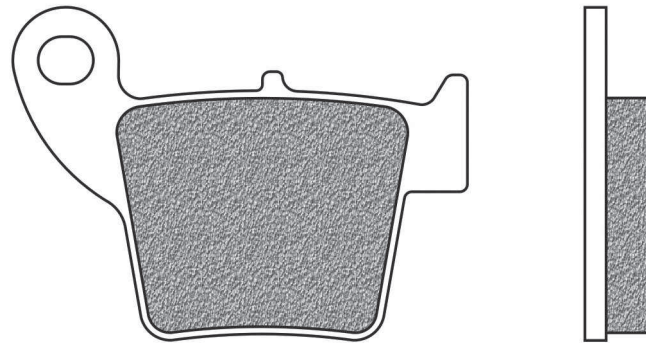
D1 (mm): 55,5x46x7,1 (lxhxsp.)



KYMCO	Year	A/P
GRAND DINK 250	01->02	P
GRAND DINK 250 EURO 2	03->04	P

FD0329
BD
SD
X01

D1 (mm): 60,5x44x9,5 (lxhxsp.)



APRILIA	Year	A/P
MXV 450 4.5	09->	P

BRAKING	Year	A/P
Cross rear 1 piston		A

FANTIC	Year	A/P
CABALLERO 50 MOTARD	10->	P
CABALLERO 50 REGOLARITA	10->	P
CABALLERO 125 ENDURO 2T	12->	P
CABALLERO 125 MOTARD 2T	10->	P
CABALLERO 125 MOTARD 4T	10->	P
CABALLERO 125 REGOLARITA 4T	10->	P
CABALLERO 200 MOTARD 4T	10->	P
CABALLERO 200 REGOLARITA 4T	10->	P

HM	Year	A/P
CRM F 250 X IE SUPER MOTARD	07->	P
CRM F 290 X IE SUPER MOTARD	07->	P
CRM F 450 X IE SUPER MOTARD	07->	P
CRM F 490 X IE SUPER MOTARD	07->	P

HONDA	Year	A/P
CR 125 R	02->07	P
CRE 125	02->07	P
CRE 125 RR	11->	P
CRM 125 X SUPERMOTARD	07->	P
CRF 150 R	07->20	P
CR 250 R	02->10	P
CRE 250	02->07	P
CRE 250 IE	07->08	P
CRF 250 R - E	04->20	P
CRF 250 X	04->17	P
CRM 250 X SUPERMOTARD	07->	P
CRE 290 IE	07->08	P
CRF 300 X	08->12	P
CRF 450 R - E	02->20	P
CRF 450 RX	17->19	P
CRF 450 X	05->20	P
CRM 450 X SUPERMOTARD	07->	P
CRE 490 X IE	09->	P
CRF 490 R IE	09->	P
CR 500 R	02->	P

CRM 500 X SUPERMOTARD	07->	P
-----------------------	------	---

MEGELLI	Year	A/P
125 M / R / S	08->	P

SUZUKI	Year	A/P
RME 50	10->	P

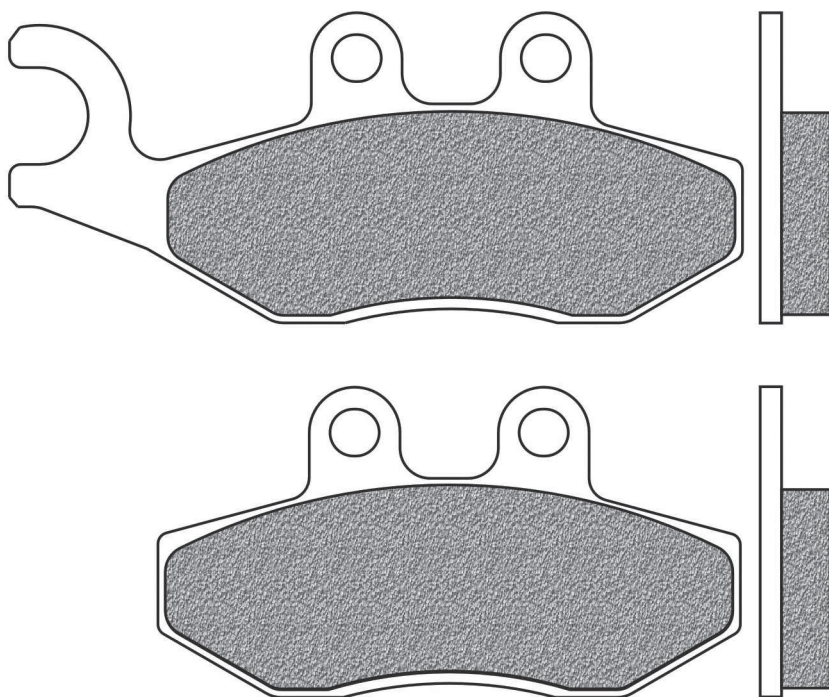
VALENTI	Year	A/P
RME 50	15->	P
SM 50	15->	P

FD0330

BA | BE | SE

D1 (mm): 97x41x9 (lhxhsp.)

D2 (mm): 77x41x9 (lhxhsp.)



X8 125 (pinza HengTong)	05->06	A
X8 125 (pinza HengTong)	05->06	A
X8 125 PREMIUM EURO 2	06->	A
X8 125 STREET EURO 3	06->	A
X9 125 EVOLUTION (pinza sx HengTong)	01->	A
FLY 150	05->07	A
FLY 150 EURO 3	08->10	A
VESPA 150 PRIMAVERA 4T 3V	13->16	A
VESPA 150 PRIMAVERA 4T 3V IGET ABS	16	A
X8 150 STREET EURO 3	06->	A
HEXAGON 180 GTX 4T	01->	A
SUPER EXAGON 180 GTX	01->04	A
BEVERLY 200 (pinza HengTong)	01->06	A / P
CARNABY 200	07->10	A / P
VESPA 200 GRANTURISMO (pinza HengTong)	06->	A
VESPA 200 GRANTURISMO L (pinza HengTong)	03->05	A
X8 200	04->06	A
X8 200 (pinza HengTong)	05->	A
BEVERLY 250	06->07	A / P
BEVERLY 250 CRUISER	07->09	A / P
BEVERLY 250 EURO 3 IE	06->08	A / P
BEVERLY 250 EURO 3 MIC	07	A / P
BEVERLY 250 EURO 3 TOURER	08->09	A / P
BEVERLY 250 LEADER	04	A / P
BEVERLY 250 RST	04->05	A / P
BEVERLY 250 SPORT	06->08	A / P
CARNABY 250	08->	A / P
VESPA 250 GTS (pinza HengTong)	05->	A
VESPA 250 GTV	06->	A
X EVO 250 EVO	07->13	A
X7 250 EURO 3	08->	A
X8 250	05->	A
X9 250 EVOLUTION	04->06	A
BEVERLY 300 IE	11->18	A
BEVERLY 300 TOURER EURO 3	09->10	A / P
CARNABY 300 CRUISER	09->	A / P
MP3 300 LT BUSINESS ABS	14	P
MP3 300 SPORT ABS	14	P
VESPA 300 GTS IE	12->	A
VESPA 300 GTS SUPER	08->	A
VESPA 300 GTS SUPER SPORT	11->	A
VESPA 300 GTV IE	11->	A
X7 300 EVO IE	11->	A
X7 300 EVO IE EURO3	09->11	A
BEVERLY 350 4T 4V IE SPORT TOURING E3	11	A
BEVERLY 350 S	14->	A
X10 350 4T 4V IE	12->	A / P
BEVERLY 400 EURO 3	06->08	P
MP3 400	07->08	P
MP3 400 IE LT - IE LT SPORT	08->10	P
MP3 400 IE LT TOURING	11	P
MP3 400 LT	09->	P
MP3 400 MIC	08->10	P
MP3 400 RL TOURING	11	P
X EVO 400 EURO 3	07->11	A / P
X8 400	06	A / P
X8 400 EURO 3	06->08	A / P
MP3 500 LT BUSINESS ABS	14->	P
MP3 500 LT SPORT - BUSINESS	11->13	P
MP3 500 RL SPORT - BUSINESS	11->12	P
MP3 500 SPORT ABS	14->	P
X10 500 4T 4V IE	12->	A / P

APRILIA	Year	A/P
SPORT CITY 50 ONE 2T	08->10	A
SPORT CITY 50 ONE 4T	08->10	A
SPORT CITY 125 ONE 4T EURO 3	08->10	A
SR 125 MAX	12->	A / P
SR 125 SPORT CITY ONE	12->	A
SR 300 MAX	10->18	A / P
SRV 850	12->19	P

GILERA	Year	A/P
DNA 50	05->07	A
DNA 50 GP EXPERIENCE	03->04	A
RUNNER 50 PURE JET	02->06	A
RUNNER 50 PURE JET ST	08->	A
RUNNER 50 SP	02->06	A
RUNNER 50 SP RACE	06	A
RUNNER 50 SP SC	06->07	A
RUNNER 50 SP ST	08->	A
NEXUS 125 EURO 3	07->	A / P
NEXUS 125 IE EURO 3	08->11	A / P
RUNNER 125 VX 4T	05->06	A
RUNNER 125 VX 4T RACE	06	A
RUNNER 125 VX 4T SC	06->07	A
RUNNER 125 VX 4T ST EURO 3	08->12	A
RUNNER 180 VXR	01->04	A
RUNNER 200 VXR 4T (pinza Heng Tong)	01->06	A
RUNNER 200 VXR 4T RACE	05->06	A
RUNNER 200 VXR 4T ST EURO 3	08->11	A
NEXUS 250 EURO 3	06->	A / P
NEXUS 250 SP EURO 3	06->07	A / P
NEXUS 300 EURO 3	08->11	A / P
FUOCO 500	07->08	P
GP 800	08->	P

KYMCO	Year	A/P
HIPSTER 125	01->	A

PEUGEOT	Year	A/P
CITY STAR 50	14->	A
ACTIVE 125	13->	A
CITY STAR 125	11->	A
GEOPOLIS 125	07->	A

RS 125 GEOPOLIS	10->	A
CITY STAR 200	13->	A
GEOPOLIS 250	06->	A / P
SATELIS 250	06->	A / P

PIAGGIO	Year	A/P
FLY 50 2T	05->	A
FLY 50 4T	05->10	A
VESPA 50 PRIMAVERA 2T	13->16	A
VESPA 50 PRIMAVERA 4T 4V	13->	A
VESPA 50 SPRINT 2T	14->16	A
VESPA 50 SPRINT 4T 4V	14->	A
FLY 100 4T	06->08	A
BEVERLY 125 (pinza HengTong)	01->	A / P
BEVERLY 125 EURO 3	07->08	A / P
BEVERLY 125 EURO 3 MIC	07	A / P
BEVERLY 125 EURO 3 SPORT	07->08	A / P
BEVERLY 125 EURO 3 TOURER	08->10	A / P
BEVERLY 125 RST	04->07	A / P
BEVERLY 125 RST 4T 4V IE EURO 3	10->11	A / P
CARNABY 125	07->10	A / P
FLY 125	05->08	A
HEXAGON 125 GTX 4T	98->00	A
MP3 125 YOURBAN ERL	11->13	P
SUPER HEXAGON 125 GTX	01->02	A
VESPA 125 946 4T 3V	13->15	A
VESPA 125 GRANTURISMO	06->07	A
VESPA 125 GRANTURISMO L (pinza HengTong)	03->05	A
VESPA 125 GTS 4T IE SUPER	09->16	A
VESPA 125 GTS EURO 3	07->12	A
VESPA 125 GTV	06->08	A
VESPA 125 GTV 4T NAVY EURO 3	08	A
VESPA 125 LX PRIMAVERA 4T 3V IGET ABS	13->16	A
VESPA 125 PRIMAVERA 4T 3V IE	13->16	A
VESPA 125 SPRINT IGET 4T 3V ABS	16->17	A
X EVO 125	07->12	A
X10 125 4T 4V IE	12->	A / P
X10 125 EXECUTIVE	12->	A / P
X7 125	07->09	P
X7 125 EURO3	08->09	A / P
X7 125 EVO IE EURO3	09->10	A
X8 125	04->	A

FIGURATO PASTIGLIE CON APPLICAZIONI | BRAKE PADS DRAWINGS AND APPLICATIONS | DESSINS PLAQUETTES AVEC APPLICATIONS |
DISEÑOS PASTILLAS CON RELACION | ZEICHNUNGEN VON BREMSBELÄGE MIT VERWENDUNGSLISTE



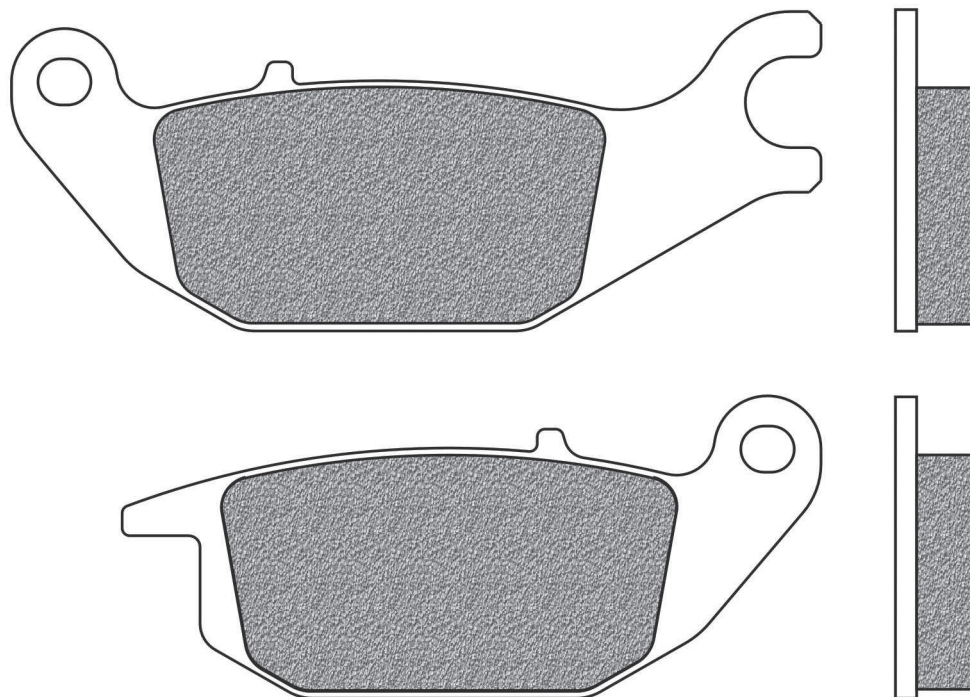


FD0331

BT

D1 (mm): 107x42x10 (l x h x sp.)

D2 (mm): 92x40x10 (l x h x sp.)



CF MOTO	Year	A/P
CF 150 2C JETMAX	12	A / P

HONDA	Year	A/P
CBR 125 R	04->10	P
XLV 125 VARADERO	01->11	P
Z 125 MONKEY	19->20	P
CBR R 150	00->04	P

YAMAHA	Year	A/P
TRICITY 125 MW	14->16	P

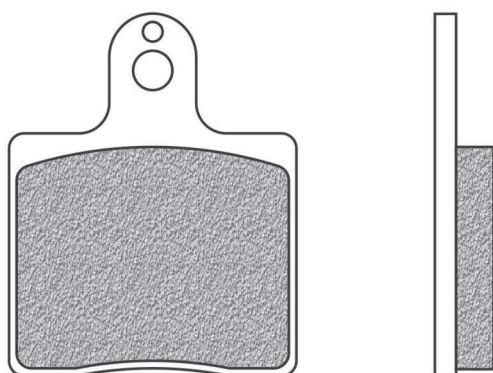
FD0332

K1

K5

K6

D1 (mm): 38x48x7,5 (l x h x sp.)



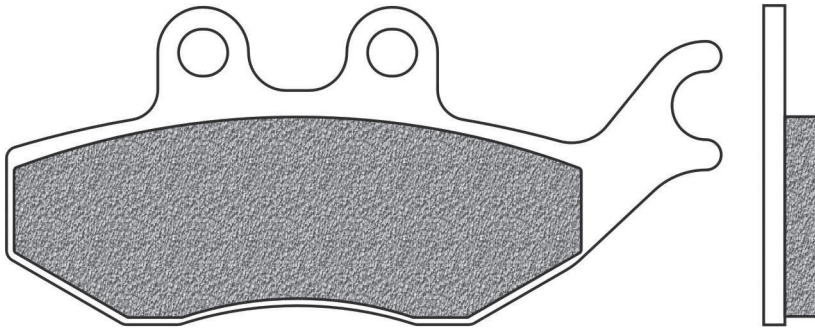
CRG	Year	A/P
VEN 05		A
VP 2000		A / P

FD0334

BA | BE

D1 (mm): 94,5x42x7,5 (l x h x sp.)

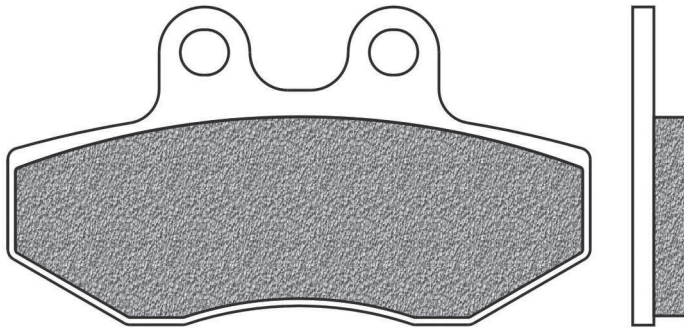
D2 (mm): 77x42x7,5 (l x h x sp.)



ITALJET	Year	A/P
MILLENNIUM 125 (seconda serie)	01->	P
MILLENNIUM 150 (seconda serie)	01->	P
JUPITER 250	00->	P

KEEWAY	Year	A/P
TX 50 SM	10->12	A
TX 125 SM	10->16	A

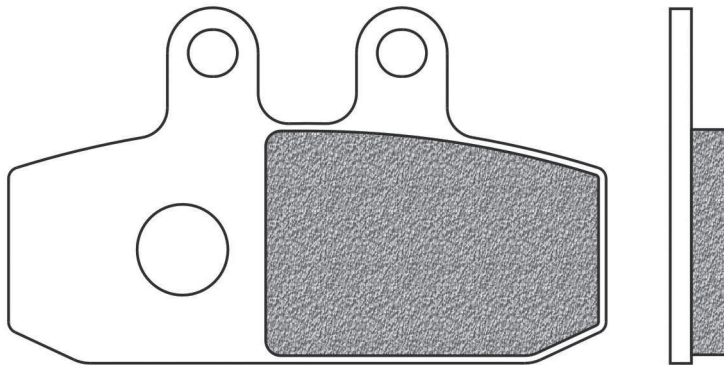
RIEJU	Year	A/P
NKD 50	05->	A
RS2 50 MATRIX	03->	A



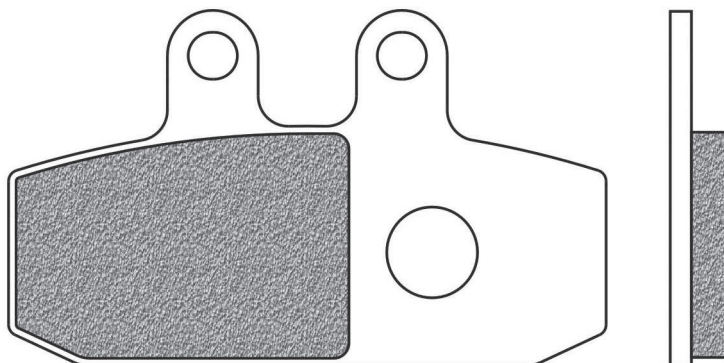
FD0335

BA | BE

D1 (mm): 79x47x7,5 (l x h x sp.)



APRILIA	Year	A/P
SCARABEO 400 IE	06->	A
SCARABEO 400 LIGHT	06->08	A
SCARABEO 400 URBAN	06->08	A
ARECIFE 500 (spagna)	02->04	A
ATLANTIC 500	02->04	A
SCARABEO 500	02->06	A
SCARABEO 500 IE	07->	A



FIGURATO PASTIGLIE CON APPLICAZIONI | BRAKE PADS DRAWINGS AND APPLICATIONS | DESSINS PLAQUETTES AVEC APPLICATIONS
DISEÑOS PASTILLAS CON RELACION | ZEICHNUNGEN VON BREMSBELÄGE MIT VERWENDUNGSLISTE

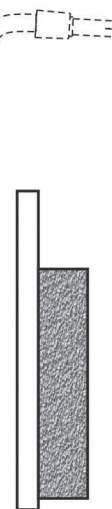
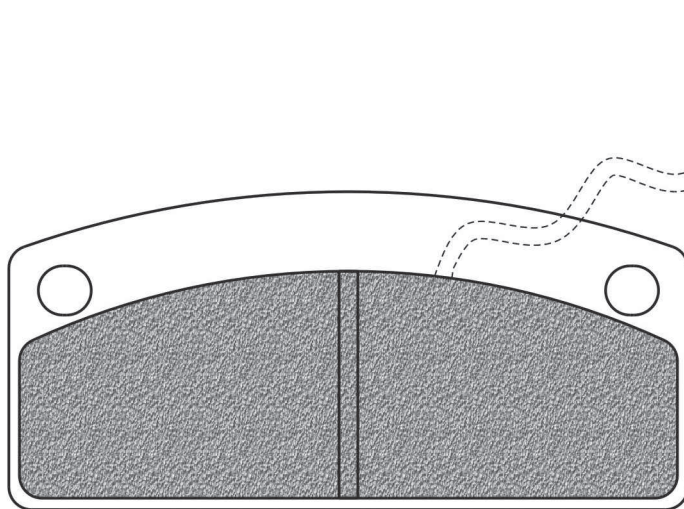
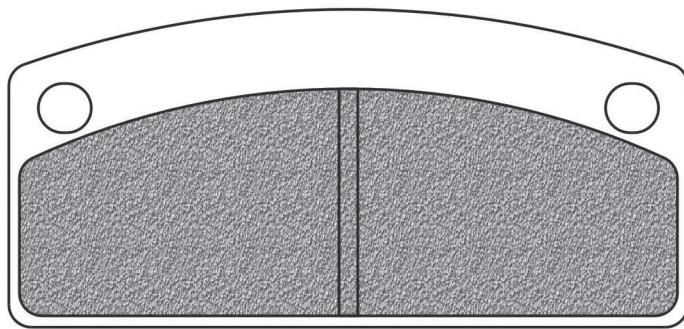




FD0336 (4 pz.)

B4W

D1 (mm): 90x42x9,5 (lxhxsp.)



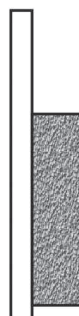
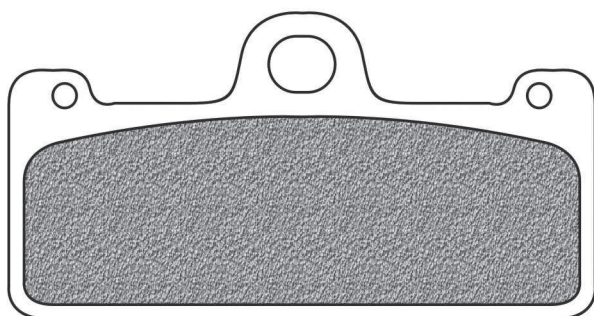
MINICAR	Year	A/P
MICROCAR 500		A
GRECAV 505 EIKE		A

_____	_____
_____	_____

FD0339

B4R

D1 (mm): 78x41x10 (lxhxsp.)



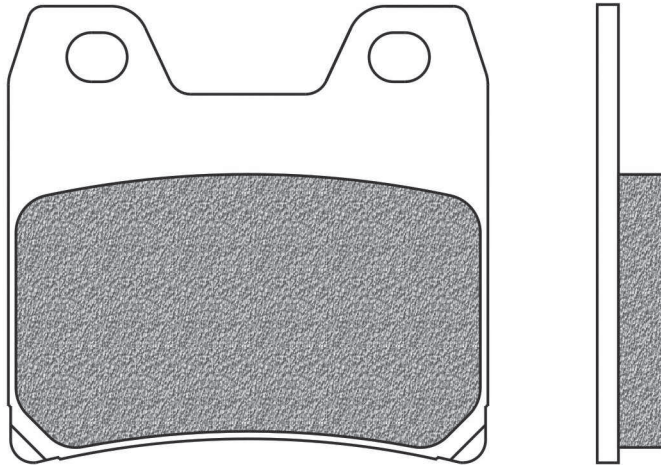
BREMBO	Year	A/P
X101740/41 - P4 32/36 MONOBLOCK		A
X93760/61 - P4 32/36 RADIAL MONOBLOCK		A
XA3B830/31 - P4 32/36		A
XA7G210/11 - P4 32/36 RDIAL MONOBLOCK 100mm		A
XA7G240/41 - P4 32/36 RDIAL MONOBLOCK 100mm		A
XA93310/11 RADIAL MONOBLOCK		A
XAB860/61 - P4 32/36 RADIAL		A

NISSIN	Year	A/P
4 Piston Racing (78x41x10)		A

FD0341

BT

D1 (mm): 63,5x60,5x8,8 (lxhxsp.)



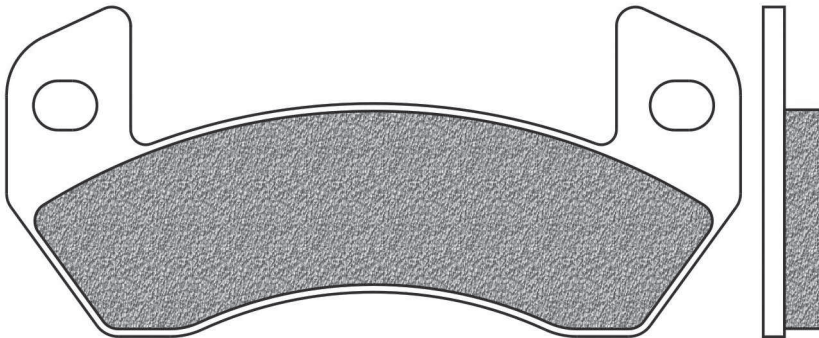
YAMAHA	Year	A/P
FZS 1000 FAZER	01->05	P
XJR 1300	02->11	P
XJR 1300 RACER	15->19	P

FIGURATO PASTIGLIE CON APPLICAZIONI | BRAKE PADS DRAWINGS AND APPLICATIONS | DESSINS PLAQUETTES AVEC APPLICATIONS |
DISEÑOS PASTILLAS CON RELACION | ZEICHNUNGEN VON BREMSBELÄGE MIT VERWENDUNGSLISTE

FD0342 (4 pz.)

B4W

D1 (mm): 97x43,5x8 (lxhxsp.)



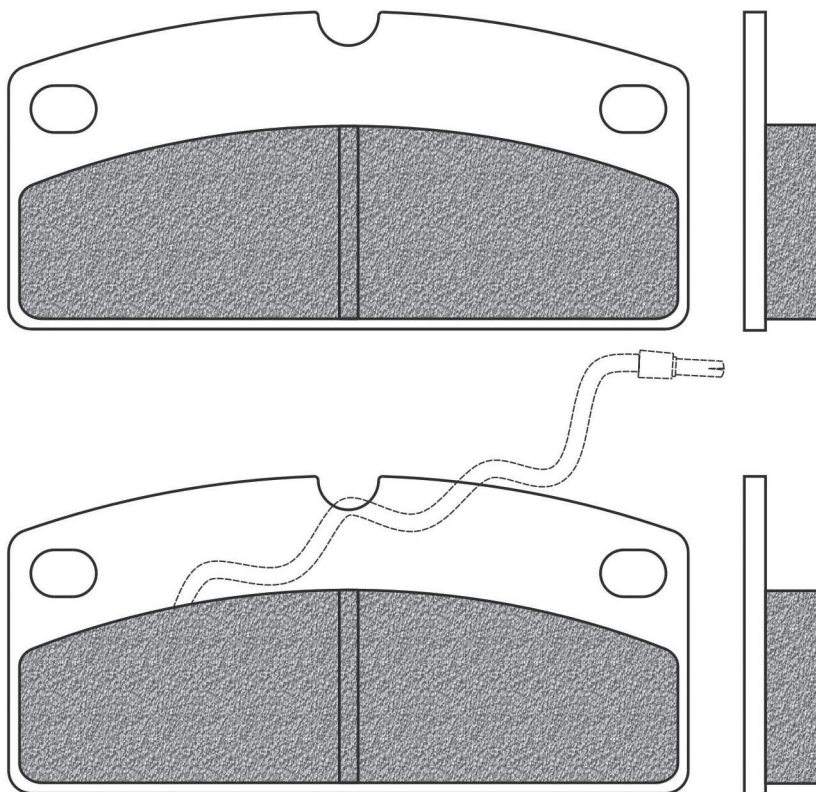
MINICAR	Year	A/P
LIGIER 500 NOVA	01->	P

PIAGGIO	Year	A/P
LIGIER 500 NOVA (vettoretta)	00->	P

FD0343 (4 pz.)

B4W

D1 (mm): 90x42x10 (lhxsp.)



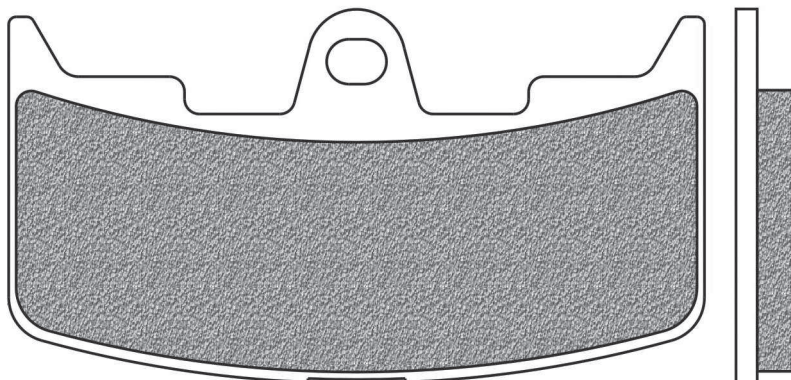
MINICAR	Year	A/P
LIGIER 500 NOVA	01->	A
PIAGGIO M 500	06->08	A
PIAGGIO PK 500	06->08	A

PIAGGIO	Year	A/P
LIGIER 500 NOVA (vettura)	00->	A
M 500 (vettura)	06->08	A
PK 500 (vettura)	06->08	A

FD0344

SP

D1 (mm): 92x49x7,9 (lhxsp.)

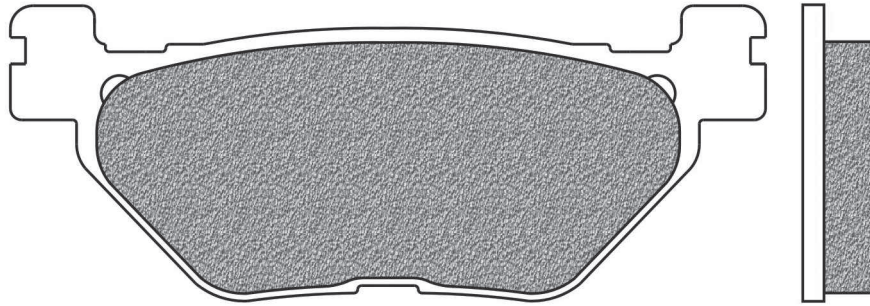


BUELL	Year	A/P
XB9R 984 FIREBOLT	02->10	A
XB9S 984 LIGHTNING	03->10	A
XB9SX 984 CITY X	05->10	A
XB12R 1200 FIREBOLT	04->08	A
XB12S 1200 LIGHTNING	04->08	A
XB12SCG 1200 LIGHTNING	06->08	A
XB12SS 1200 LIGHTNING LONG	06->08	A
XB12TT 1200 SUPER TT	07->10	A
XB12X 1200 SUPER TT	06->10	A

FD0345

BT | TS

D1 (mm): 100x39x9,5 (lxhxsp.)



HYOSUNG	Year	A/P
GV 650 AQUILA	05->07	P

YAMAHA	Year	A/P
TDM 900	02->12	P
TDM 900 ABS	05->10	P
SCR 950	17->19	P
XV 950 BOLT	14->18	P
XV 950 BOLT C-SPEC	15->18	P

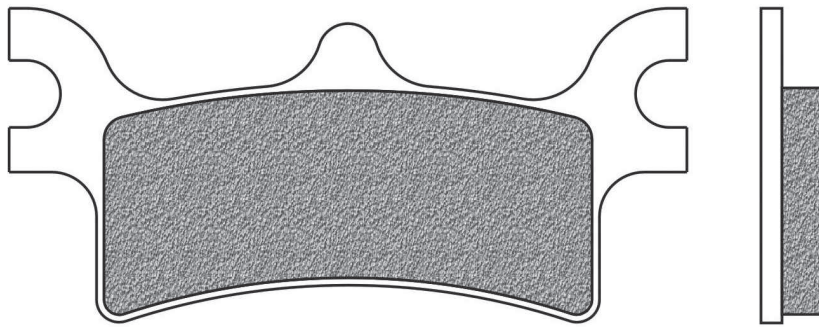
XV 950 BOLT R-SPEC	14->18	P
XV 950 R	19->20	P
XVS 950 A MIDNIGHT STAR	09->12	P
XT 1200 Z SUPER TENERE	10->20	P
XT 1200 ZE SUPER TENERE	14->19	P
1300 STRYKER	11	P
FJR 1300 A	13->20	P
FJR 1300 ABS	03->12	P
FJR 1300 AE	16->19	P

FJR 1300 AS	13->19	P
XVS 1300 A MIDNIGHT STAR	07->16	P
XVS 1300 CUSTOM	14->16	P
XVS 1300 STRYKER	11->	P
XV 1670 ROYALS STAR WARRIOR	02->07	P
V MAX 1700	09->18	P
XV 1700 PC ROAD STAR WARRIOR	03->05	P
XV 1700 WARRIOR	03->04	P
XV 1900 A MIDNIGHT STAR	06->12	P

FD0346

BV | SV

D1 (mm): 90,5x41x8,2 (lxhxsp.)



POLARIS	Year	A/P
TRAIL BLAZER 250	06	P
MAGNUM 325 2x4	02->05	P
XPEDITION 325	02	P
MAGNUM 330 2x4 / HDS	03	P
MAGNUM 330 4x4	03->04	P

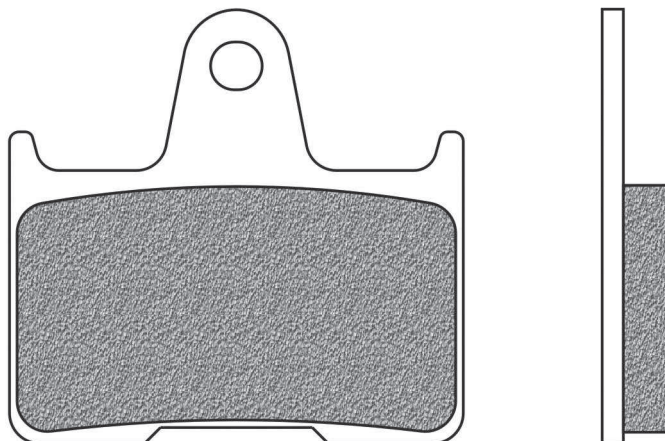
TRAIL BLAZER 330 / INTL	08->12	P
TRAIL BOSS 330 / INTL	08->12	P
SPORTSMAN 400	03->05	P
XPEDITION 425 4x4	02	P
SPORTSMAN 450 / EPS QUAD	06->16	P
ATP 500	04->05	P

MAGNUM 500 4x4 RMK	02->05	P
PREDATOR 500 E	06->09	P
SCRAMBLER 500	05->12	P
SPORTSMAN 500	03->05	P
SPORTSMAN 500 EFI TOURING QUAD	08->09	P
SPORTSMAN 500 EFI TRACTOR	09->10	P
SPORTSMAN 500 EFI X2 QUAD	08->09	P
SPORTSMAN 500 H.O. / EFI	06->09	P
SPORTSMAN 500 H.O. / EFI INTL	10	P
SPORTSMAN 500 H.O. TOURING INTL	10	P
SPORTSMAN E 500	06->09	P
SPORTSMAN 500 FOREST	11->12	P
SPORTSMAN 570 EFI EPS FOREST / TOURING TRACTOR	15->17	P
SPORTSMAN 600	03->05	P
SPORTSMAN 700	02->07	P
SPORTSMAN 800 6x6 EFI	10->14	P
SPORTSMAN 800 6x6 FOREST	12	P
SPORTSMAN 800 EFI /HO	05->08	P
SPORTSMAN 800 EFI TOURING INTL	08->09	P

FD0347

BT

D1 (mm): 60x57,5x9 (lxhxsp.)



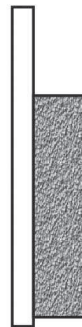
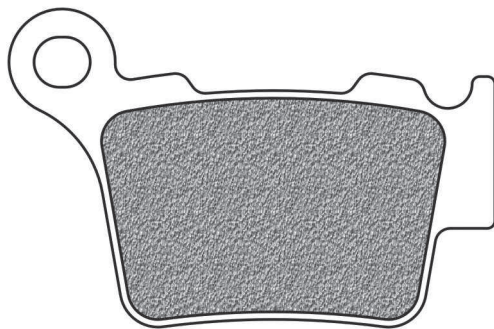
SUZUKI	Year	A/P
GSX-R 600	04->05	P
GSF 650 BANDIT	05->06	P
GSX-R 750	04->05	P
GSX-R 1000	01->02	P
GSX 1400	01->07	P

FIGURATO PASTIGLIE CON APPLICAZIONI | BRAKE PADS DRAWINGS AND APPLICATIONS | DESSINS PLAQUETTES AVEC APPLICATIONS |
DISEÑOS PASTILLAS CON RELACION | ZEICHNUNGEN VON BREMSBELÄGE MIT VERWENDUNGSLISTE



FD0348
BD | SD | X01

D1 (mm): 64x42x9,4 (lxhxsp.)



BMW	Year	A/P
G 450 SMR	09->11	P
G 450 X	08->11	P
F 900 R	20	P
F 900 XR	20	P

HUSABERG	Year	A/P
TE 125	13	P
FE 250	13	P
TE 250	11->13	P
TE 300	11->13	P
FE 350	13	P
FE 390	10->13	P
FE 450	09->13	P
FE 501	13	P
FE 570	09->13	P

HUSQVARNA	Year	A/P
CR 125	05->13	P
TC 125	14->20	P
TE 125	14->16	P
TE 125 4T	11->13	P
TX 125	17->20	P
WR 125	04->13	P
WRE 125	05->13	P
CR 150	11	P
TE 150	17->18	P
WR 150	11	P
CR 250	04->13	P
FC 250	14->20	P
FE 250	13->20	P
TC 250	04->20	P
TE 250	14->17	P
TE 250 i	18->20	P
TC 300	14->17	P
TE 300	14->17	P
TE 300 i	18->20	P
TX 300	19	P
TX 300 i	20	P
WR 300	09->13	P
TC 310	11->13	P
TE 310 4T	10->13	P
TXC 310	11->13	P
FC 350	14->20	P
FE 350	14->20	P
FX 350	17->20	P
SMR 449	11->	P
TC 449	11->13	P
TE 449	11->13	P
FC 450	14->20	P
FE 450	14->20	P
FR 450 RALLY	16->20	P
FS 450	15->17	P
FX 450	19->20	P
SM 450 R	06->09	P
SM 450 RR	06->	P

TC 450	05->10	P
TE 450	14	P
FE 501	14->20	P
TC 510	04->10	P
SMR 511	11->	P
TE 511	11->13	P
SM 630	10->	P
SMR 630	04->08	P
TE 630	10->14	P
STR 650 CRC	07->	P

KTM	Year	A/P
EXC 125	04->15	P
EXC 125 SIX DAYS	01->16	P
SX 125	04->20	P
SX 144	07->10	P
SX 150	08->20	P
XC 150	11->18	P
EXC 200	04->16	P
SX 200	03->07	P
XC-W 200	11->16	P
EXC 250	04->17	P
EXC 250 SIX DAYS (2T)	05->17	P
EXC 250 SIX DAYS TPI (2T)	18->20	P
EXC 250 TPI (2T)	18->20	P
EXC RACING 250 (4T)	04->06	P
EXC-F 250	06->20	P
EXC-F 250 SIX DAYS	07->20	P
MX 250	00->13	P
SX 250	03->20	P
SX-F 250	05->20	P
XC 250 (2T)	04->17	P
XC 250 TPI (2T)	18->19	P
XC-F 250	11->20	P
XC-W 250 (2T)	11->17	P
XC-W 250 TPI (2T)	18->19	P
XC-F-W 250	12->17	P
EXC 300	04->16	P
EXC 300 SIX DAYS (2T)	05->17	P
EXC 300 SIX DAYS TPI (2T)	18->20	P
EXC 300 TPI (2T)	18->20	P
XC 300 (2T)	11->19	P
XC 300 TPI (2T)	20	P
XC-W 300 (2T)	14->18	P
XC-W 300 SIX DAYS (2T)	18	P
XC-W 300 TPI (2T)	19->20	P
XC-W 300 TPI SIX DAYS (2T)	19->20	P
EXC-F 350	12->20	P
EXC-F 350 SIX DAYS	12->20	P
SX-F 350	11->20	P
XC-F 350	11->20	P
XCF-W 350	11->20	P
EXC 400	04->	P
EXC RACING 400	04->07	P
EXC-G RACING 400	04->08	P
EXC RACING 450	04->07	P

EXC-F 450	17->20	P
EXC-F 450 SIX DAYS	17->20	P
EXC-R 450	08->16	P
EXC-R RACING 450 (USA)	11	P
MXC 450	04->06	P
RALLY 450	11	P
SMR 450	07->12	P
SMR 450 (FTE caliper)	04->06	P
SX 450	04->06	P
SX SM 450 FACTORY REPLICA	04	P
SX-F 450	07->20	P
XC 450	06->07	P
XC-F 450	14->20	P
XC-W 450	08->16	P
XC-W 450 SIX DAYS (USA)	11	P
EXC 500 4T	12->16	P
EXC-F 500	17->20	P
EXC-F 500 SIX DAYS	17->20	P
XC-W 500	12->16	P
XCF-W 500	20	P
SX-F 505	07->09	P
XC-F 505	07->09	P
EXC RACING 525	04->07	P
MXC 525	04->05	P
SX 525	04->07	P
SX 525 SMR (FTE Caliper)	04->	P
XC 525	06->07	P
EXC-R 530	08->11	P
EXC-R RACING 530 (USA)	11	P
XC-W 530	08->11	P
XC-W 530 SIX DAYS	11	P
XC-W 530 SIX DAYS (USA)	11	P
SMR 560	06->07	P

RIEJU	Year	A/P
MRX 450	08->	P

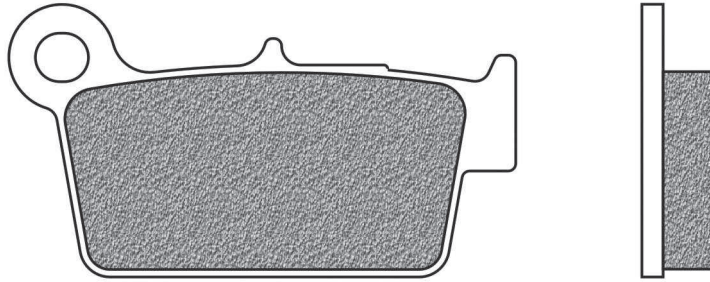
SHERCO	Year	A/P
SE-R 125	17->19	P
SE 250 F	14->19	P
SE 250 F - F-R	14->19	P
SE 250 I - F	13	P
SE 250 I / IR	12->13	P
SE 250 R	14	P
SCF-R 300	16->19	P
SE 300 F - F-R	14->19	P
SE 300 I - F	13	P
SE 300 I / IR	12->13	P
SE 300 R	14->19	P
SE 510 5.1 IR	12->13	P

SWM	Year	A/P
ACE OF SPADES 125	19->20	P
OUTLAW 125 GRAN MILANO	19->20	P
RS 125 R	16->20	P
SM 125 R	16->20	P
VAREZ 125	20	P
RS 300 R	15->20	P
VAREZ 400	20	P
SM 450 R	16->20	P
RS 500 R	15->20	P
SM 500 R	18->20	P

FD0349

BD | SD | X01

D1 (mm): 67x36x9,4 (lxhxsp.)



SE 450 IR	12->13	P
SM 450 4.5 SUPERMOTARD	06->	P
SE 510 ENDURO 5.1 I	06->11	P

SUZUKI	Year	A/P
RMZ 250	04->19	P
RMX 450	10->17	P
RMZ 450	05->20	P

TM	Year	A/P
EN 125	15->20	P
MX 125	15->20	P
EN 144	15->20	P
MX 144	15->20	P
EN 250	15->20	P
EN 250 F	15->20	P
MX 250	15->20	P
MX 250 F	15->20	P
MX 300	15->20	P
MX 450 F	15->20	P
EN 530 F	15->20	P
FT 530 FI	17->19	P
MX 530 F 4T	15->20	P

YAMAHA	Year	A/P
YZ 125	03->20	P
WR F 250	03->20	P
YZ 250	03->20	P
YZ-F 250	03->20	P
WR F 450	03->19	P
YZ-F 450	03->19	P

ZERO	Year	A/P
DS 1 ZF 11.4	13	P
DS 1 ZF 8.5	13	P
FX 1 ZF 2.7	13	P
FX 1 ZF 2.8	13	P
MX 1 ZF 2.8	13	P
MX 1 ZX 5.7	13	P
S 1 ZF 11.4	13	P
S 1 ZF 8.5	13	P
XU 1 ZF 2.8	13	P
XU 1 ZF 5.7	13	P

APRILIA	Year	A/P
RXV 450 4.5	05->	P
SXV 450	05->	P
SXV Replica 450 VAN DE BOSCH	05->	P
RXV 550 5.5	05->	P
SXV 550	06->	P
SXV Replica 550 VAN DE BOSCH	08->	P

BIMOTA	Year	A/P
BBX 300 ENDURO	12->	P
BBX 508 ENDURO	12->	P

CCM	Year	A/P
MX 450	08->	P

GAS GAS	Year	A/P
EC 125 2T RACING	13->15	P
EC 125 SYXDAYS	11	P
EC 200 2T	11	P
EC 200 2T R	18->19	P
EC 200 2T RACING	13->17	P
EC 250 2T	11->17	P
EC 250 2T R	18->19	P
EC 250 2T RACING	13->17	P
EC 300 2T	11->17	P
EC 300 2T R	18->19	P
EC 300 2T RACING	13->17	P

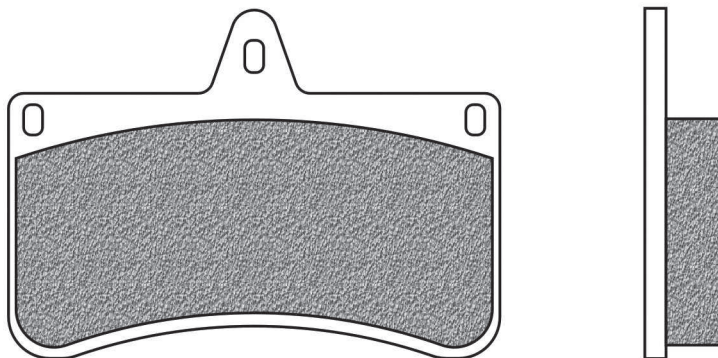
KAWASAKI	Year	A/P
KX 250 (KX252)	20	P
KX F 250	04->20	P
KLX 450 R	08->20	P
KX F 450	06->20	P

SHERCO	Year	A/P
SE 250 2.5 IF	09->11	P
SE 250 ENDURO 2.5 I	06->11	P
SE 300 3.0 IF	10->11	P
ENDURO 450 4.5 I	05->11	P
SE 450 F · F-R	14->19	P

FD0350

K1 | K5

D1 (mm): 65x46x10 (lxhxsp.)



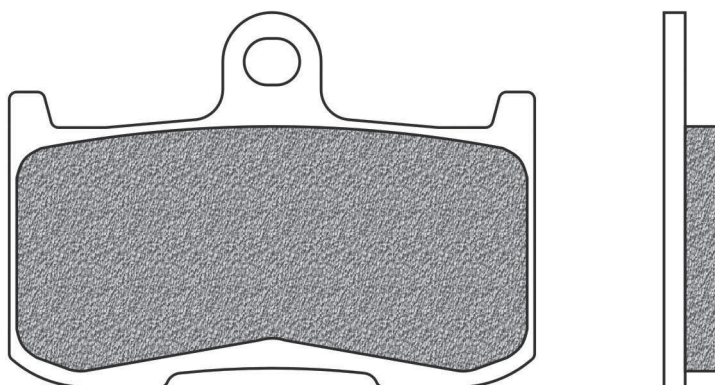
CRG	Year	A/P
VEN 04		P

FIGURATO PASTIGLIE CON APPLICAZIONI | BRAKE PADS DRAWINGS AND APPLICATIONS | DESSINS PLAQUETTES AVEC APPLICATIONS
DISEÑOS PASTILLAS CON RELACION | ZEICHNUNGEN VON BREMSBELÄGE MIT VERWENDUNGSLISTE



FD0351
SP | TS

D1 (mm): 69,5x49,5x7 (lxhxsp.)



SPEED TRIPLE 1050	05->15	A
TIGER 1050	07->13	A
TIGER SE 1050	06->17	A
TIGER SPORT 1050	15->19	A

VICTORY	Year	A/P
HAMMER 1634	08	A
KINGPIN 1634 all models	08->12	A
VEGAS 1634	08->17	A
VEGAS 8-BALL 1634	08->17	A
VEGAS JACKPOT 1634	08	A
BOARDWALK 1731	13->15	A
CROSS COUNTRY 1731	10->17	A
CROSS COUNTRY 8-BALL 1731	14->16	A
CROSS COUNTRY TOUR 1731	12->17	A
CROSS ROADS 1731	10->12	A
CROSS ROADS 8-BALL 1731	14	A
CROSS ROADS CLASSIC 1731	14	A
GUNNER 1731	15->17	A
HAMMER 1731	09->11	A
HAMMER 8-BALL 1731	10->16	A
HAMMER S 1731	09->17	A
HARD-BALL 1731	12->13	A
HIGH-BALL 1731	12->17	A
JACKPOT 1731	10->16	A
JUDGE 1731	13->17	A
KINGPIN 1731	10->12	A
KINGPIN 8-BALL 1731	10->12	A
MAGNUM 1731	15->17	A
MAGNUM X-1 1731	15->17	A
VEGAS 1731	10->17	A
VEGAS 8-BALL 1731	10->17	A
VEGAS JACKPOT 1731	09	A

INDIAN	Year	A/P
CHIEF 1800	15->18	A
CHIEF CLASSIC 1800	14->18	A
CHIEF DARK HORSE 1800	15->19	A
CHIEF VINTAGE 1800	14->19	A
CHIEFTAIN 1800	14->18	A
CHIEFTAIN CLASSIC 1800	15->18	A
CHIEFTAIN LIMITED 1800	15->18	A
DARK HORSE 1800	16->18	A
ROADMASTER 1800	15->19	A
ROADMASTER CLASSIC 1800	15->18	A
ROADMASTER ELITE 1800	15->18	A
SPRINGFIELD 1800	16->19	A
SPRINGFIELD DARK HORSE 1800	15->20	A

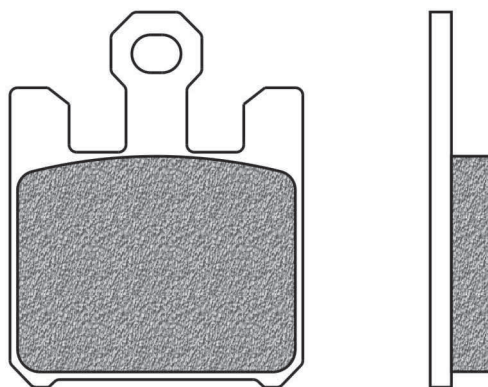
KAWASAKI	Year	A/P
Z 800 ABS	13->16	A
Z 800 E ABS	13->16	A
Z 800 E ABS SPECIAL EDITION	16	A
Z 900	17->20	A
ZX-9 900 R NINJA	02->04	A
Z 1000	03->06	A

SUZUKI	Year	A/P
GSX-S 750	17->20	A
GSX-S 750 Z	17->19	A
GSX 1340 B KING	08->12	A

TRIUMPH	Year	A/P
DAYTONA 675 up to VIN 381274	06->08	A
STREET TRIPLE R 675	09->18	A
STREET TRIPLE RX 675	15->16	A

FD0352 (4 pz.)
R01 | SP | TS

D1 (mm): 39x49,5x7,9 (lxhxsp.)



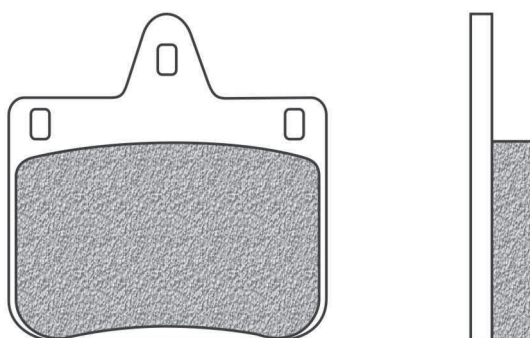
DERBI	Year	A/P
MULHACEN 659	05->	A
MULHACEN 659 CAFE	08->	A

KAWASAKI	Year	A/P
ZX-6 RR 600 NINJA	03->06	A
ZX-6R 636 NINJA	03->06	A
Z 750 R ABS	11->12	A
ZX-10R 1000 NINJA	04->07	A
ZX-12R 1200 NINJA	04->06	A
VN 1600 MEAN STREAK	05->08	A

SUZUKI	Year	A/P
GSX-R 1000	03	A
M 1600 INTRUDER	05	A

FD0353
K1 | K5 | K6

D1 (mm): 42x43x8 (lxhxsp.)

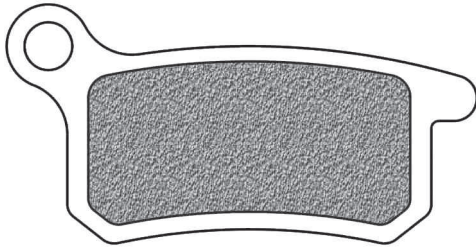


CRG	Year	A/P
VEN 04		A
VEN 06		A

FD0354

SD

D1 (mm): 62x32x6,6 (lxhxsp.)



XC 65	08->09	A / P
SX 85	03->10	A / P
XC 85	07->09	A / P
SX 105	04->10	A / P
XC 105	08->10	A / P

METRAKIT	Year	A/P
BIG FOOT 50	08->	A
MONGOOSE 50	08->	A
PRO 50	08->	A
SRM 110 4T	07->	A

HUSQVARNA	Year	A/P
CR 65	10->11	P
CR 65	10->14	A
TC 65	17->20	A / P

KTM	Year	A/P
SX 65	02->20	A
SX 65	09->20	P
SXS 65	12->15	A / P

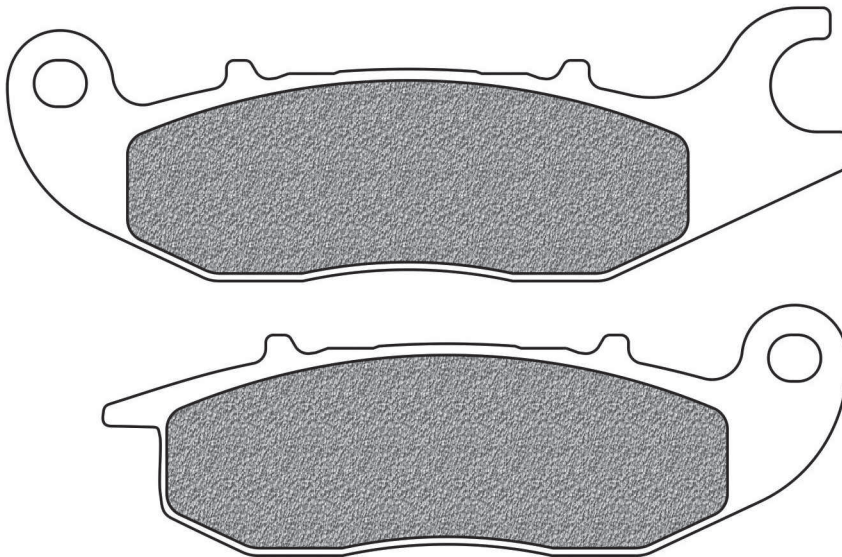
FD0355

BE

BT

D1 (mm): 111x36,1x7,6 (lxhxsp.)

D2 (mm): 98,5x33x7,6



HONDA	Year	A/P
ANF 125 I INNOVA	07->	A
ANF 125 INNOVA	03->11	A
CBF 125	09->19	A

CBR 125 R	04->18	A
MSX 125	14->19	A
MSX 125 GROM	13->20	A
Z 125 MONKEY	14->20	A

CBR R 150	00->04	A
-----------	--------	---

RIEJU	Year	A/P
RS2 125 NKD	06	A

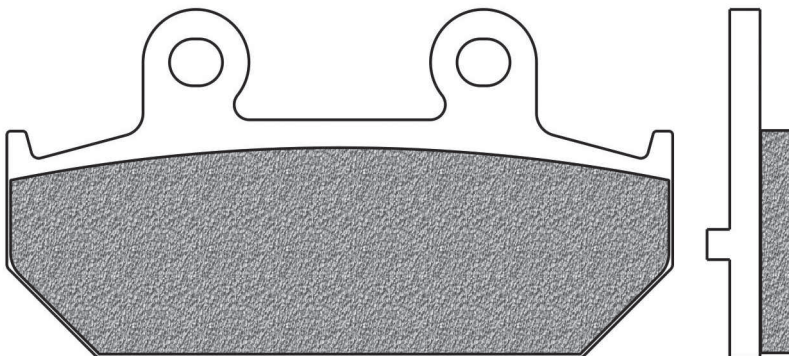
FD0356

BA

BE

SE

D1 (mm): 88x46,5x8,3 (lxhxsp.)



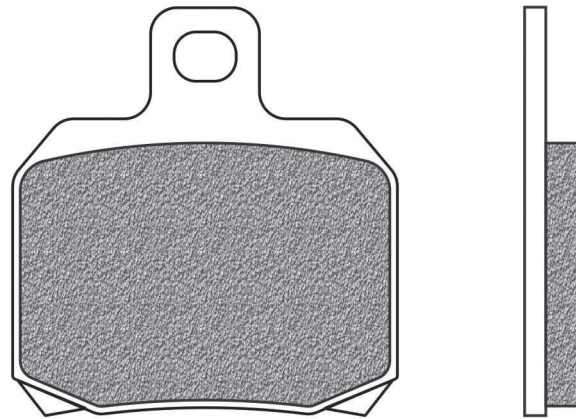
SUZUKI	Year	A/P
BURGMAN 400 AN	07->19	P
BURGMAN 650 AN	02->20	P

FIGURATO PASTIGLIE CON APPLICAZIONI | BRAKE PADS DRAWINGS AND APPLICATIONS | DESSINS PLAQUETTES AVEC APPLICATIONS |
 DISEÑOS PASTILLAS CON RELACION | ZEICHNUNGEN VON BREMSBELÄGE MIT VERWENDUNGSLISTE



FD0357
BA | BE

D1 (mm): 51x54,5x8 (lxxhxp.)



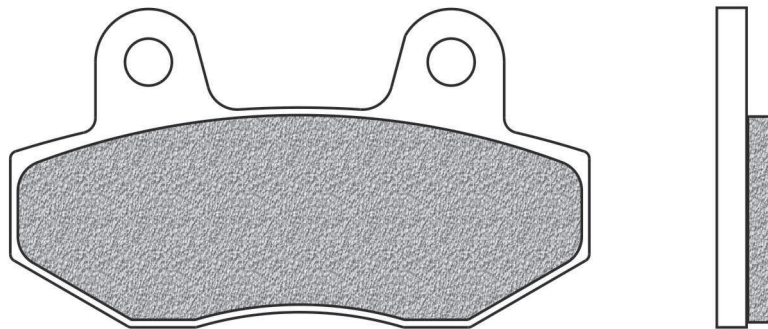
MALAGUTI	Year	A/P
MADISON 3 125	06->09	P
MADISON 3 250	06->09	P
SPIDERMAX 500 GT	04->05	P

SPIDERMAX 500 GT EURO 3	06	P
SPIDERMAX 500 RS	08->	P

SUZUKI	Year	A/P
BURGMAN 125 UH	02->06	P
BURGMAN 150 UH	02->06	P

FD0358
BA | BT

D1 (mm): 77x42x8 (lxxhxp.)



BETA	Year	A/P
R 150	10->	A

GARELLI	Year	A/P
XO ELECTRIC 1	12->	A
XO 125	12->	A
XO 150	12->	A

HYOSUNG	Year	A/P
GT 125	07->	A / P
GT 125 COMET	04->	A / P
GT 125 NAKED	13->	A / P
GT 125 R SUPERSPORT	07->	A / P
GV 125 AQUILA	05->09	A
KARION RT 125 D EURO 3	07->09	A / P
RT 125 KARION	07->	A / P
RX 125 SM	07->08	A / P
XRX 125	07->	A / P
GT 250 COMET	03->05	A / P
GT 250 COMET FI EURO 3	07->08	A / P

GT 250 COMET R	07->	A / P
GT 250 COMET R FI EURO 3	07->08	A / P
GV 250 AQUILA	04->07	A / P
GV 250 AQUILA FI & EI EURO 3	08->09	A / P
GT 251 IR	13->14	A / P
GT 253 P	13->	A / P
GT 253 R	07->	A / P
GT 650 COMET	04->06	A / P
GT 650 COMET R - S	05->06	A / P
GT 650 CUSTOM TRENDKILLER	07->	A / P
GT 650 FI	07->08	A / P
GT 650 I	13->	P
GT 650 I NAKED	15->	P
GT 650 IR	13->14	P
GT 650 R TTC	07->08	A / P
GT 650 RFI	07->08	A / P
GV 650 AQUILA FI - FI LE	07->10	A / P
I DELUXE 700	13->	P
ST7 700	10->	P

KYMCO	Year	A/P
NEXXON 50	08->12	A / P
SPIKE 100	02->06	A
SPIKE 110	02->06	A
CK 125	04->13	A
NEXXON 125	08->12	A / P
SPIKE 125	01->06	A
STRAIGHT 150	08->	A / P

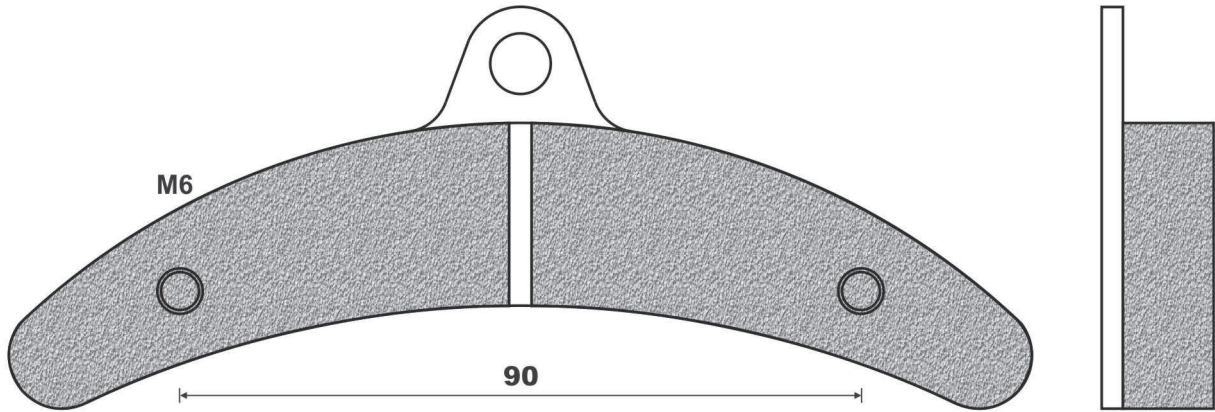
MEGELLI	Year	A/P
125 M / R / S	08->	A

PEUGEOT	Year	A/P
SPEEDFIGHT 3 50 AC	10->14	A
SPEEDFIGHT 3 50 LC	10->14	A
SPEEDFIGHT 3 50 LC RS	10->	A
SPEEDFIGHT 4 50 AC	15->	A
SPEEDFIGHT 4 50 LC	15->	A

FD0359

K1 | K5

D1 (mm): 135,5x53x15 (lxhxsp.)



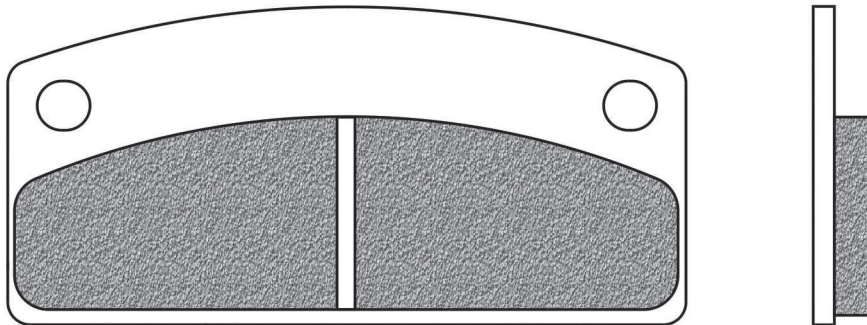
BIREL

Year	A/P
interasse fori 90 mm diametro M6 th 15	02-> P

FD0360 (4 pz.)

B4W

D1 (mm): 90x42x9,5 (lxhxsp.)



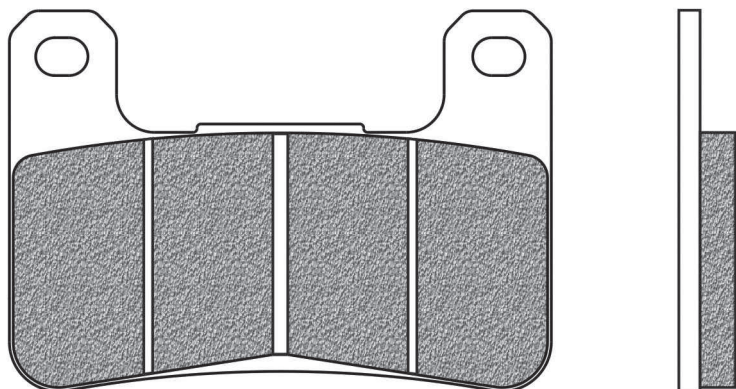
MINICAR

Year	A/P
MICROCAR 500 TOWNLIFE GINEVRA	02-> P

FIGURATO PASTIGLIE CON APPLICAZIONI | BRAKE PADS DRAWINGS AND APPLICATIONS | DESSINS PLAQUETTES AVEC APPLICATIONS
 DISEÑOS PASTILLAS CON RELACION | ZEICHNUNGEN VON BREMSBELÄGE MIT VERWENDUNGSLISTE

FD0362
R01 | SP | TS

D1 (mm): 72x50,5x7,5 (lxxhxp.)

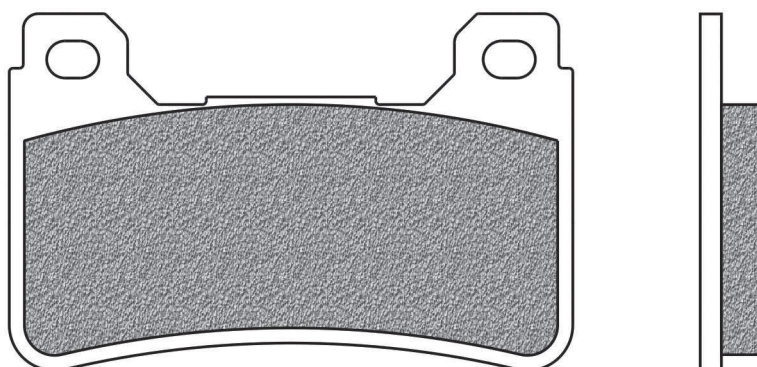


KAWASAKI	Year	A/P
Z 900 RS	18->20	A
KLZ 1000 VERSYS ABS	19->20	A
Z 1000	10->20	A
Z 1000 ABS	15->20	A
Z 1000 SE	14->16	A
Z 1000 SX	11->19	A
ZX 1000 H2 SX	18->20	A
ZX 1000 H2 SX SE	18->20	A
ZX-10R 1000 NINJA	08->15	A
ZX-10R 1000 NINJA ABS	12->15	A

SUZUKI	Year	A/P
GSX-R 600	04->10	A
GSX-R 750	04->10	A
DL 1000 V STROM	14->19	A
DL 1000 V STROM XT	17->19	A
DL 1000 V STROM XT ADVENTURE	19	A
GSX-R 1000	04->11	A
DL 1050 V STROM	20	A
DL 1050 V STROM XT	20	A
GSX-R 1300 HAYABUSA	08->12	A
M 1800 R INTRUDER	06->16	A
M 1800 R2 INTRUDER	08->10	A
M 1800 RBZ INTRUDER	14->17	A

FD0364
R01 | SP | TS

D1 (mm): 75x47,5x8 (lxxhxp.)



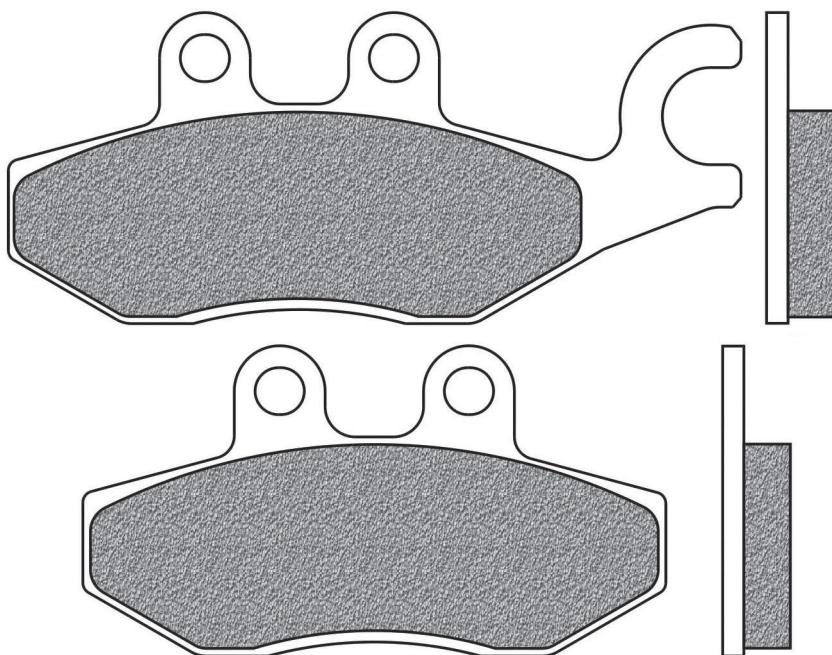
HONDA	Year	A/P
CBR 600 RR	05->15	A
CBR 600 RR ABS	09->19	A
CROSSRUNNER 800 VFR X	15->16	A
VFR 800 F	14->16	A
CB 1000 R	08->16	A
CBR 1000 RR FIREBLADE	04->16	A
CBR 1000 RR FIREBLADE ABS	09->16	A

FD0365

BA | BE

D1 (mm): 97x41x9 (lhxhsp.)

D2 (mm): 77x41x9 (lhxhsp.)



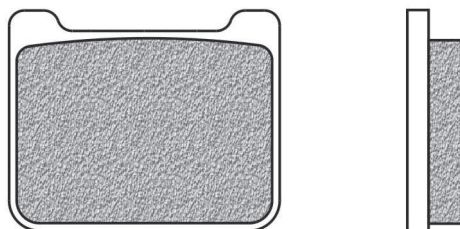
X7 125	07->09	A
X7 125 EVO IE EURO3	09->10	P
X9 125 EVOLUTION	05->07	A
X9 125 EVOLUTION (pinza HengTong)	01->	A
MEDLEY 150 4T IE ABS	16->17	P
MP3 250 LT	08->09	P
MP3 250 MIC	08->09	P
X EVO 250 EVO	07->13	P
X7 250 EURO 3	08->	P
X9 250 EVOLUTION	04->06	A
BEVERLY 300 IE	11->18	P
MP3 300 4T 4V IE ERL IBRIDO	10->13	P
MP3 300 4T 4V IE LT IBRIDO	10->11	P
MP3 300 IE LT	10->11	P
MP3 300 IE LT - IE LT SPORT	11->13	P
MP3 300 IE LT TOURING	11->13	P
MP3 300 IE MIC	10->11	P
MP3 300 IE TOURING	11->12	P
MP3 300 YOURBAN ERL	11->15	P
MP3 300 YOURBAN LT ERL	11->12	P
X7 300 EVO IE	11->	P
X7 300 EVO IE EURO3	09->11	P
BEVERLY 350 4T 4V IE SPORT TOURING E3	11	P
BEVERLY 350 S	14->	P
BEVERLY 350 SPORT TOURING IE	12->	P
X10 350 4T 4V IE	12->	A
X EVO 400 EURO 3	07->11	A
X8 400	06	A
X8 400 EURO 3	06->08	A
X10 500 4T 4V IE	12->	A

PIAGGIO	Year	A/P			
MEDLEY 125 4T IE ABS	16->17	P	MP3 125 IE TOURING	11->12	P
MP3 125 IBRIDO	09->12	P	X EVO 125	08->12	P
MP3 125 IE	08->09	P	X10 125 4T 4V IE	12->	A
			X10 125 EXECUTIVE	12->	A

FD0367

BT

D1 (mm): 36x29,5x7 (lhxhsp.)

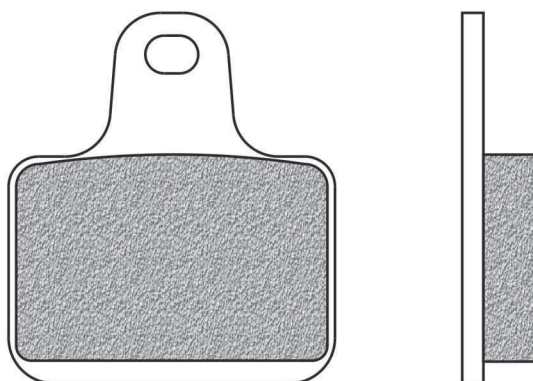


BREMBO	Year	A/P
X20.60.01 - P2 24 BILLET RACING		A

FD0370 (4 pz.)

B4R | R01

D1 (mm): 43,5x49x9,5 (lhxhsp.)



ACCOSSATO	Year	A/P
AGPZ01 108mm CNC monoblock 4 piston 4 pad		A
AGPZ02 108mm FORGED monoblock 4 piston 4 pad		A
AGPZ03 108mm FORGED monoblock 4 piston 4 pad		A
AGPZ04 108mm FORGED monoblock 4 piston 4 pad		A
AGPZ06 60mm CNC Moto3 2 piston 4 pad		A

AP RACING	Year	A/P
CP 6688 MONOBLOCK 4 piston 4 pad		A

BREMBO	Year	A/P
X99C460/61 - P4 34 RADIAL MONOBLOCK		A

MV AGUSTA	Year	A/P
F4 1000 STOCK - VETRO- SBK Replica	07->08	A
F4 1078 (1000cc)	07	A

PVM	Year	A/P
4 Pad model		A

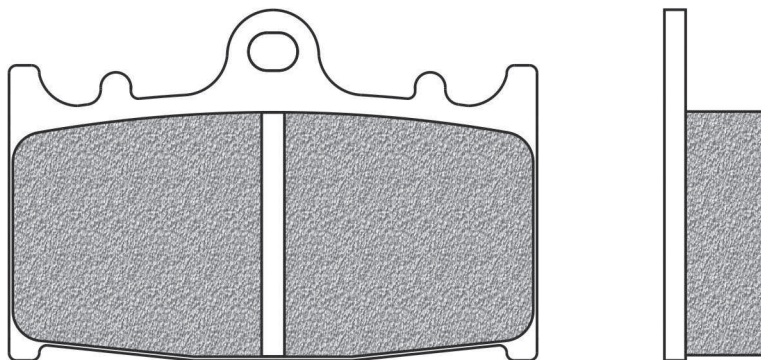
FIGURATO PASTIGLIE CON APPLICAZIONI | BRAKE PADS DRAWINGS AND APPLICATIONS | DESSINS PLAQUETTES AVEC APPLICATIONS |
 DISEÑOS PASTILLAS CON RELACION | ZEICHNUNGEN VON BREMSBELÄGE MIT VERWENDUNGSLISTE



FD0371

TS

D1 (mm): 70x46,5x13,1 (lxhxsp.)

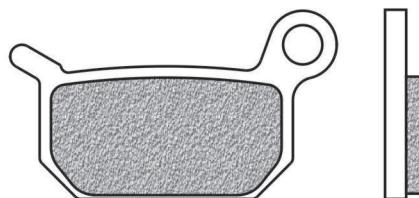


SUZUKI	Year	A/P
C 1500 INTRUDER	05->10	P
VL 1500 C INTRUDER	05->09	P
VL 1500 INTRUDER	02->03	P

FD0372

SD

D1 (mm): 43,5x25x5 (lxhxsp.)



HUSQVARNA	Year	A/P
EE 1	20	A
CR 50 PRO SENJOR	06->	P
CR 50 SENJOR	06->	P
SM 50	10->	P
TC 50	17->20	A/P
TC 50 MINI	17->20	A/P

SX 50 MINI	09->20	A/P
SX 50 PRO JUNIOR LC	02->	A
SX 50 PRO SENJOR LC	02->03	A
SX 50 PRO SENJOR LC	04->	P
SX 50 SENJOR ADVENTURE	04->	A
SX 50 SUPERMOTO	06->	A/P
SX 65	04->08	P

METRAKIT	Year	A/P
BIG FOOT 50	08->	P
MONGOOSE 50	08->	P
PRO 50	08->	P
SRM 110 4T	07->	P

KTM	Year	A/P
SX-E 1	19->20	A/P
SX 50	09->20	A/P
SX 50 JUNIOR LC	02->04	A

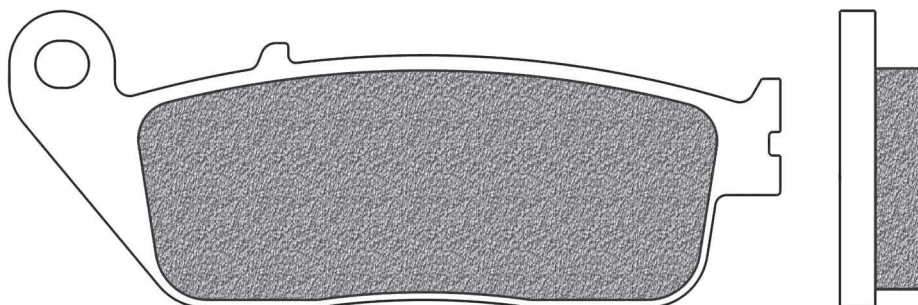
LEM	Year	A/P
L2 - L3 50 CROSS	03->	A/P
RX 65	05->	A/P

POLINI	Year	A/P
Minimoto (43,5x25x5)		A
X1 - X2 50 R	04->	A/P
X5 65 RP	05->	A/P

FD0373

BA | BE

D1 (mm): 102x39x11,5 (lxhxsp.)



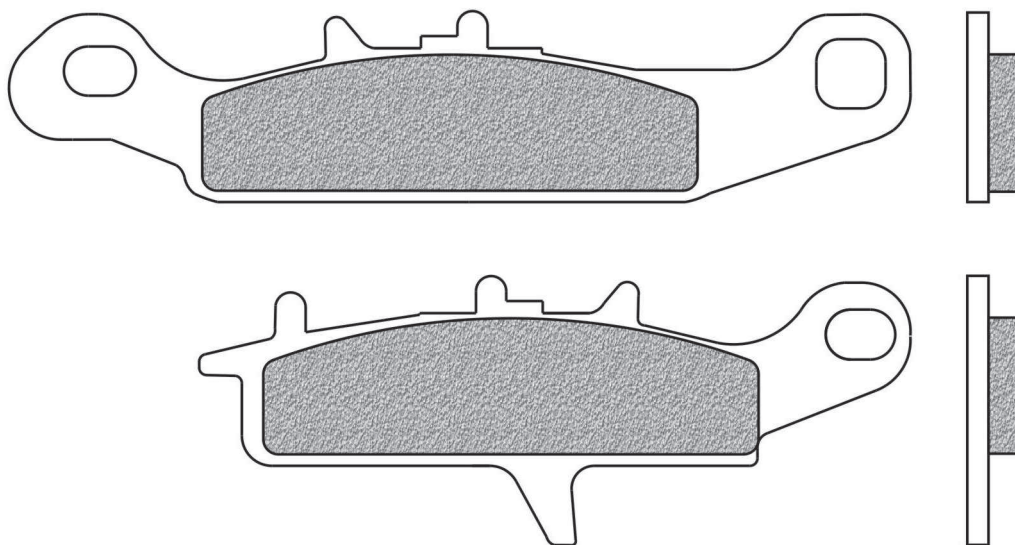
KYMCO	Year	A/P
PEOPLE 250	03->05	P

FD0374

SV

D1 (mm): 119,5x26,5x7,1 (lhxhsp.)

D2 (mm): 94,5x35,5x7,8 (lhxhsp.)



KAWASAKI	Year	A/P
KFX 450 R	08->15	A
KVF 650	01->03	A
KVF 650 PRAIRIE	02->03	A

KFX 700 V FORCE	04->13	A
KSV 700 V FORCE	04->11	A
KVF 700 PRAIRIE	04->13	A

SUZUKI	Year	A/P
QUADRUNNER 700 TWIN PEAKS	04->	A

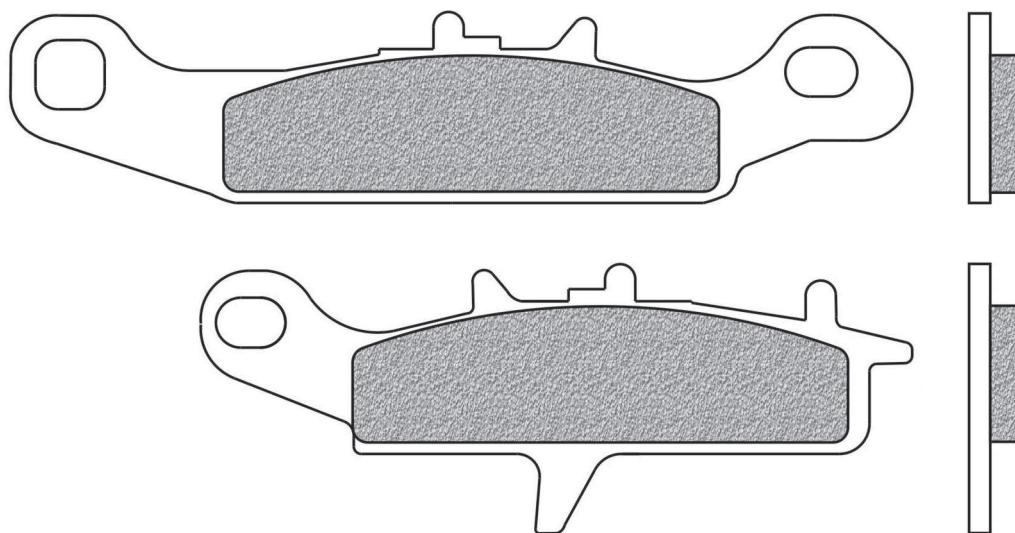
FD0375

BD

SV

D1 (mm): 119,5x26,5x7,1 (lhxhsp.)

D2 (mm): 94,5x35,5x7,8 (lhxhsp.)



KAWASAKI	Year	A/P
KX 80	97->00	A
KX 85	01->13	A
KX 85 I (C)	14->20	A
KX 85 II (D)	14->20	A
KX 100	97->20	A
KL 250 SUPER SHERPA	97->	A

KFX 450 R	08->15	A
KVF 650	01->03	A
KVF 650 PRAIRIE	02->03	A
KFX 700 V FORCE	04->13	A
KSV 700 V FORCE	04->11	A
KVF 700 PRAIRIE	04->13	A

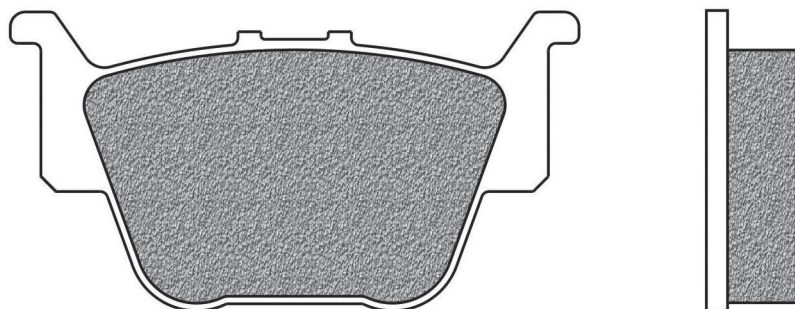
SUZUKI	Year	A/P
RM 85	05->15	A
RM 100	03	A
QUADRUNNER 700 TWIN PEAKS	04->	A

FIGURATO PASTIGLIE CON APPLICAZIONI | BRAKE PADS DRAWINGS AND APPLICATIONS | DESSINS PLAQUETTES AVEC APPLICATIONS |
 DISEÑOS PASTILLAS CON RELACION | ZEICHNUNGEN VON BREMSBELÄGE MIT VERWENDUNGSLISTE

FD0376

SV

D1 (mm): 75,5x39x11,8 (lxxhxp.)



HONDA	Year	A/P
TRX 400 R	04->	P
TRX 420 FOURTRAX 4WD AUTO- Power Steering FP	09->19	P
TRX 420 FOURTRAX FA 4WD AUTO	09->13	P
TRX 450 R - ER	04->09	P
TRX 500 Fourtrax Foreman 4WD FE ES	15->19	P
TRX 500 Fourtrax Foreman 4x4 FM	15->19	P
TRX 650 RINCON	03->	P
TRX 680 RINCON	03->	P

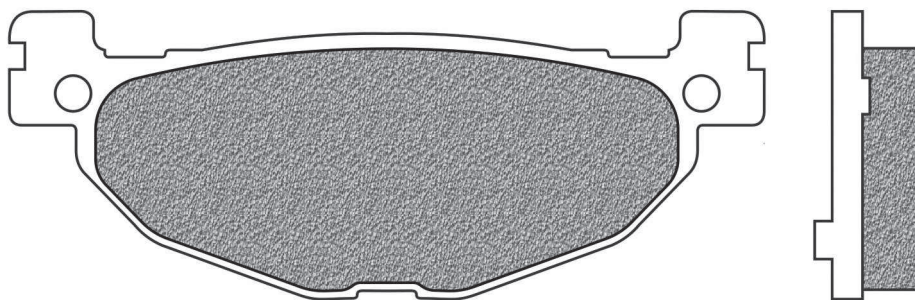
FD0378

BA

BE

SE

D1 (mm): 100x38,5x12 (lxxhxp.)

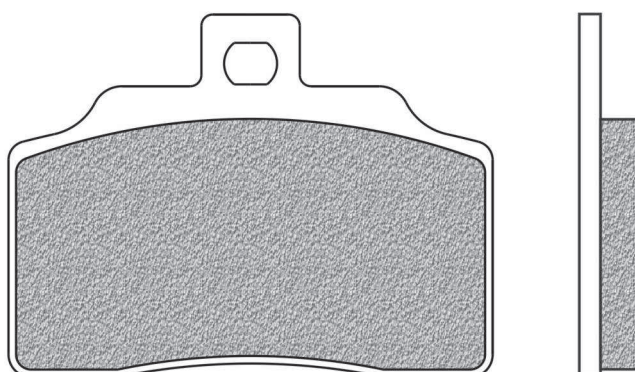


YAMAHA	Year	A/P	MAJESTY 400 YP ABS	Year	P	T MAX SV 500 XP	Year	P
MAJESTY 400 YP	04	P	T MAX 500 XP	04->11	P	T MAX SV 500 XP ABS	11	P
MAJESTY 400 YP	05->11	P	T MAX 500 XP ABS	05->11	P		10->11	P

FD0379

BT

D1 (mm): 64x48x7,8 (lxxhxp.)

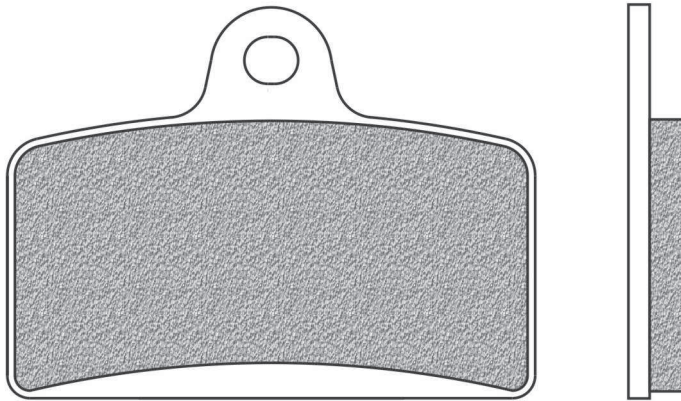


BETA	Year	A/P
MOTARD 350 4.0	03->08	A

FD0380

BT | TS

D1 (mm): 69,7x52x7,5 (lxhvsp.)



APRILIA	Year	A/P
RS4 50	11->15	A
RS4 50 REPLICA	14->16	A
RS4 125 (pinza AJP)	11->19	A
RS4 125 REPLICA	16->19	A
TUONO 125 ABS	17->19	A

BLATA	Year	A/P
ENDURO 125	07->	A
MOTARD 125	07->	A

DERBI	Year	A/P
GPR 125 4T	09	A
GPR 125 NUDE	04->06	A
GPR 125 RACING	04->06	A

METRAKIT	Year	A/P
PRE GP 125	07->	A

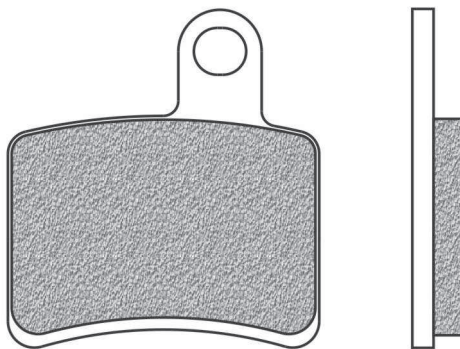
PEUGEOT	Year	A/P
XR 7 50	08->	A

RIEJU	Year	A/P
TANGO 125	06->07	A

FD0382

BD

D1 (mm): 41,5x45x6,7 (lxhvsp.)



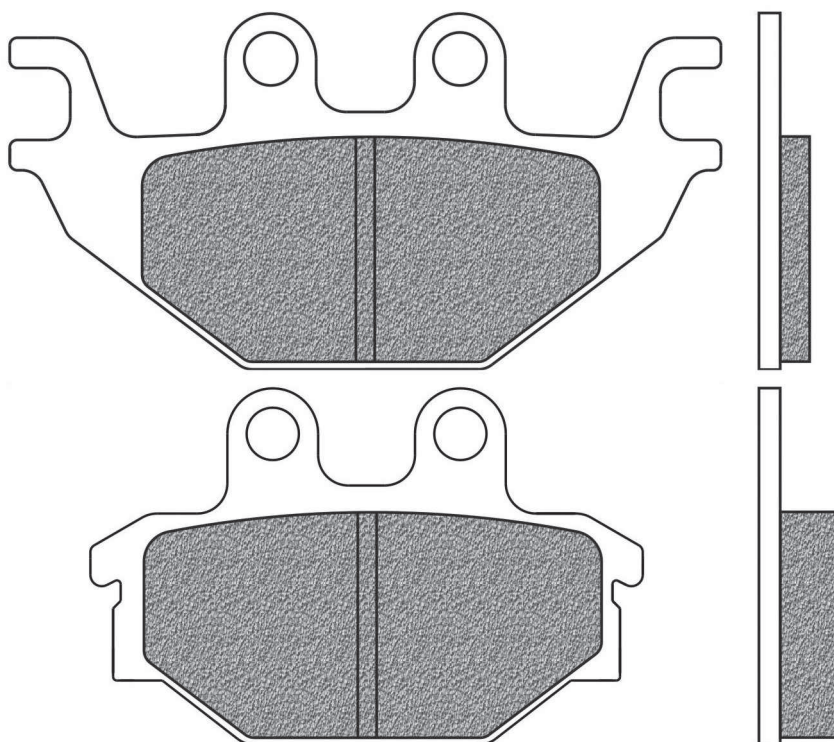
BETA	Year	A/P
REV 80	08->	P
REV 3 125	06->08	P
REV 3 200	06->08	P
REV 250 4T	07->08	P
REV 3 250	05->08	P
REV 3 270	05->08	P

FIGURATO PASTIGLIE CON APPLICAZIONI | BRAKE PADS DRAWINGS AND APPLICATIONS | DESSINS PLAQUETTES AVEC APPLICATIONS |
DISEÑOS PASTILLAS CON RELACION | ZEICHNUNGEN VON BREMSBELÄGE MIT VERWENDUNGSLISTE

FD0383
BT | BV | SV | TS

D1 (mm): 94x47x8,6 (lxhxsp.)

D2 (mm): 73x47x10,9 (lxhxsp.)



CECTEK	Year	A/P
GLADIATOR 500 EFI	09->	A

CPI	Year	A/P
XS 250	07->	A

KAWASAKI	Year	A/P
KVF 300 BRUTE FORCE	13->	P

KYMCO	Year	A/P
KXR 250	03->04	A
MXU 250	05->	A
MAXXER 300	06->	A
MAXXER 300 SUPERMOTO	15->	A
MXU 300	06->20	A / P
UXV 450 i	15->20	A / P
MXU 500	06->09	A / P
MXU 500 i DX	12->13	P
UXV 500 4x4	08->	A / P
UXV 500 i	12->20	A / P
MXU 550 i	12->20	
MXU 700	19	P
UXV 700 i	16->19	A / P

SYM	Year	A/P
TRACK RUNNER 200	06->07	A / P
SN 250 NI WOLF	14->	P
SB 300 CAFE RACER	16	P
WOLF 300 CAFE RACER	15->	P
WOLF 300 CLASSIC	15->	P
QUAD RAIDER 600	08->	A / P

ADLY	Year	A/P
CROSS X OVER 300	07->	A
CROSS X ROAD 300	07->	A
SPORT 300	07->	A
S 320	07->	A

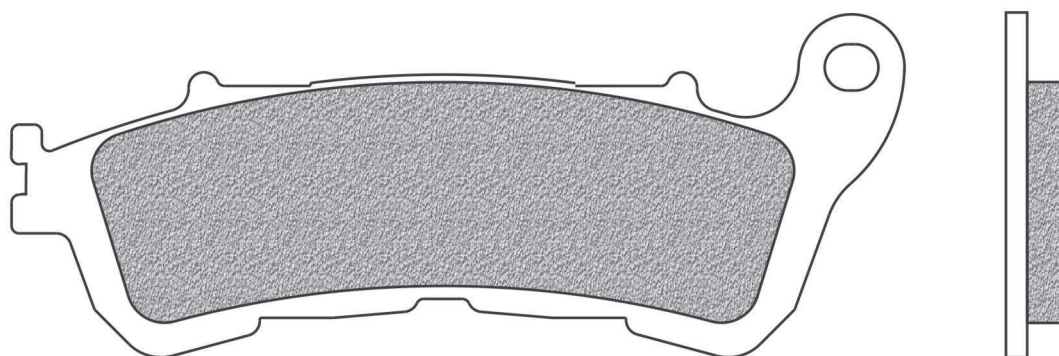
U 320	Year	A/P
	07->	A

CAN AM	Year	A/P
DS 250 CVT	08->20	A / P
DS 250 NA / INTER	06->07	P

YAMAHA	Year	A/P
MT 125	14->19	P
YZF-R 125	08->18	P

FD0385
BA | BE | BT | SE | SP | TS

D1 (mm): 118x45,5x8,3 (lxhxsp.)



HONDA	Year	A/P
CBR 250 R ABS	11->13	A
SH 300 i	06->14	A
SH 300 i ABS	06->14	A
SILVER WING 400 FJS	09->	A
SW-T 400	09->	A
SW-T 400 ABS	09->	A
CBF 500 ABS	04->07	A
CB 600 F HORNET ABS	07->08	A
CBF 600 ABS	08->11	A
CBR 600 F ABS	11->13	A
SILVER WING 600 FSC ABS	03->08	A
SW-T 600	11->18	A
DN-01 680	08->11	A
NC 700 SA ABS	12->13	A
NC 700 SD ABS (w/DTC)	12->13	A

NC 700 XA ABS	12->13	A
NC 700 XD ABS (w/DTC)	12->13	A
NT 700 DEAUVILLE ABS	07->12	A
NT 700 V DEAUVILLE	06->12	A
NT 700 V VARADERO - ABS	10->	A
XL 700 VTRANSALP ABS	08->11	A
VT 750 C SHADOW	10->12	A
VT 750 C2S ABS	13->14	A
VT 750 CS ABS	13->14	A
CROSSRUNNER 800 VFR	11->14	A
VFR 800	06->13	A
CB 1000 R ABS	08->16	A
CBF 1000 ABS	06->11	A / P
CBF 1000 F ABS	10->14	P
CBF 1000 F ABS	10->18	A
CBF 1000 LIMITED EDITION ABS	09->14	A / P

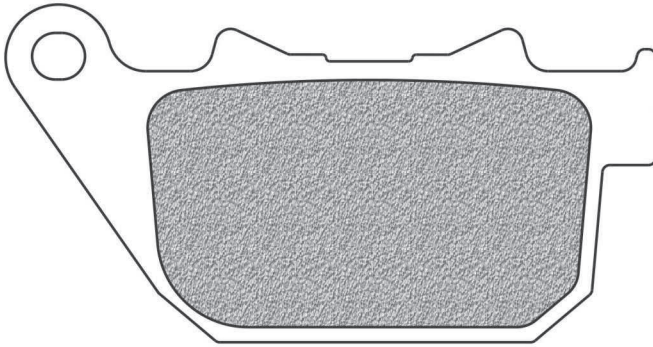
XLV 1000 VARADERO	07->11	A
XLV 1000 VARADERO ABS	04->11	A
CB 1100	13	A
VFR 1200 CROSSTOURER LE	12->19	A
VFR 1200 XC CROSSTOURER	12->19	A
VFR 1200 XDC CROSSTOURER (w/DCT)	12->19	A
CB 1300 S	11->15	A
CTX 1300	14->18	A
ST 1300 PAN EUROPEAN	08->18	A
VT 1300 FURY ABS	10->18	A

SUZUKI	Year	A/P
C 1800 R INTRUDER	08->12	A
C 1800 RT INTRUDER	08->09	A

FD0386

SH

D1 (mm): 86x45x10 (lxhxsp.)

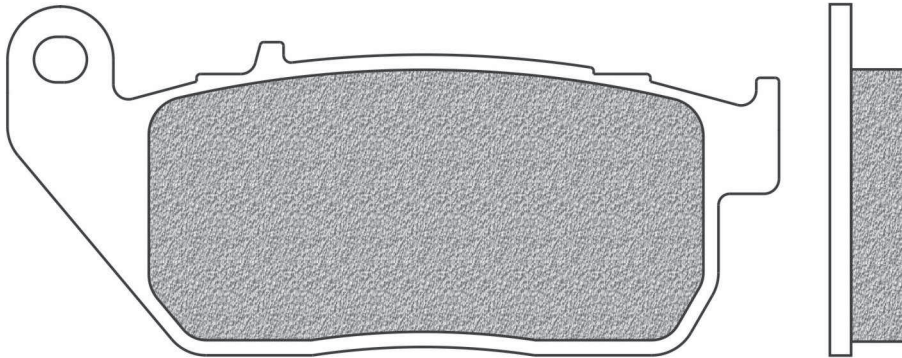


HARLEY DAVIDSON	Year	A/P
XL 883 C SPORTSTER CUSTOM	05->13	P
XL 883 L SPORTSTER LOW	05->10	P
XL 883 L SUPER LOW	11->13	P
XL 883 N IRON	09->13	P
XL 883 R SPORTSTER	09->10	P
XL 883 SPORTSTER	05->09	P
XL 883 SPORTSTER STANDARD	04	P
XLC 883 SPORTSTER CUSTOM	04	P
XL 1200 C SPORTSTER CUSTOM /CA/CB	05->13	P
XL 1200 C SPORTSTER CUSTOM 110TH ANN.	13	P
XL 1200 L SPORTSTER LOW	07->09	P
XL 1200 N SPORTSTER NIGHTSTER	08->12	P
XL 1200 R SPORTSTER ROADSTER	05->09	P
XL 1200 SPORTSTER STANDARD	04->13	P
XL 1200 V SEVENTY TWO	13	P
XL 1200 X FORTY EIGHT	11->13	P
XLC 1200 SPORTSTER CUSTOM	04	P
XLR 1200 SPORTSTER ROADSTER	04	P
XLS 1200 SPORTSTER SPORT	04	P
XR 1200 SPORTSTER /X	09->12	P

FD0387

SH

D1 (mm): 102x46x8,9 (lxhxsp.)

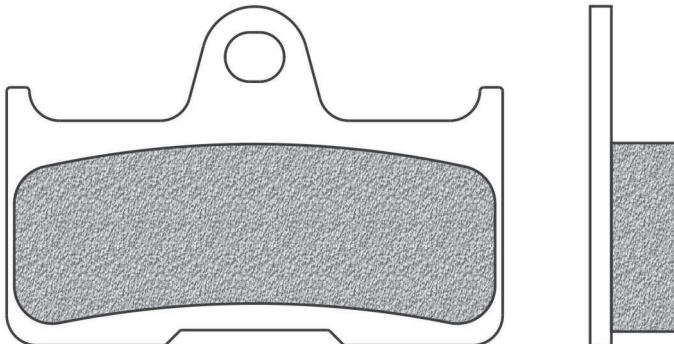


HARLEY DAVIDSON	Year	A/P						
XL 883 C SPORTSTER CUSTOM	05->13	A	XL 883 SPORTSTER STANDARD	04	A	XL 1200 SPORTSTER STANDARD	04->13	A
XL 883 L SPORTSTER LOW	05->10	A	XLC 883 SPORTSTER CUSTOM	04	A	XL 1200 V SEVENTY TWO	13	A
XL 883 L SUPER LOW	11->13	A	XL 1200 C SPORTSTER CUSTOM /CA/CB	05->13	A	XL 1200 X FORTY EIGHT	11->13	A
XL 883 N IRON	09->13	A	XL 1200 C SPORTSTER CUSTOM 110TH ANN.	13	A	XLC 1200 SPORTSTER CUSTOM	04	A
XL 883 R SPORTSTER	09->10	A	XL 1200 L SPORTSTER LOW	07->09	A	XLR 1200 SPORTSTER ROADSTER	04	A
XL 883 SPORTSTER	05->09	A	XL 1200 N SPORTSTER NIGHTSTER	08->12	A	XLS 1200 SPORTSTER SPORT	04	A
			XL 1200 R SPORTSTER ROADSTER	05->09	A			

FD0388

SV

D1 (mm): 66x45x11,6 (lxhxsp.)



CF MOTO	Year	A/P
C FORCE 400	14->17	P
C FORCE 400 S	18->20	P
C FORCE 500	14->16	P
C FORCE 500 HO 2 UP	18	P
C FORCE 500 S SWB	18->19	P
C FORCE 600 EPS	19->20	P
RANCHER 600	12	P
TERRACROSS 600	12	P
TERRALANDER 600	12	P
TERRACROSS 625 EX	12->13	P
C FORCE 800	14->16	P
TERRALANDER 800	12->13	P

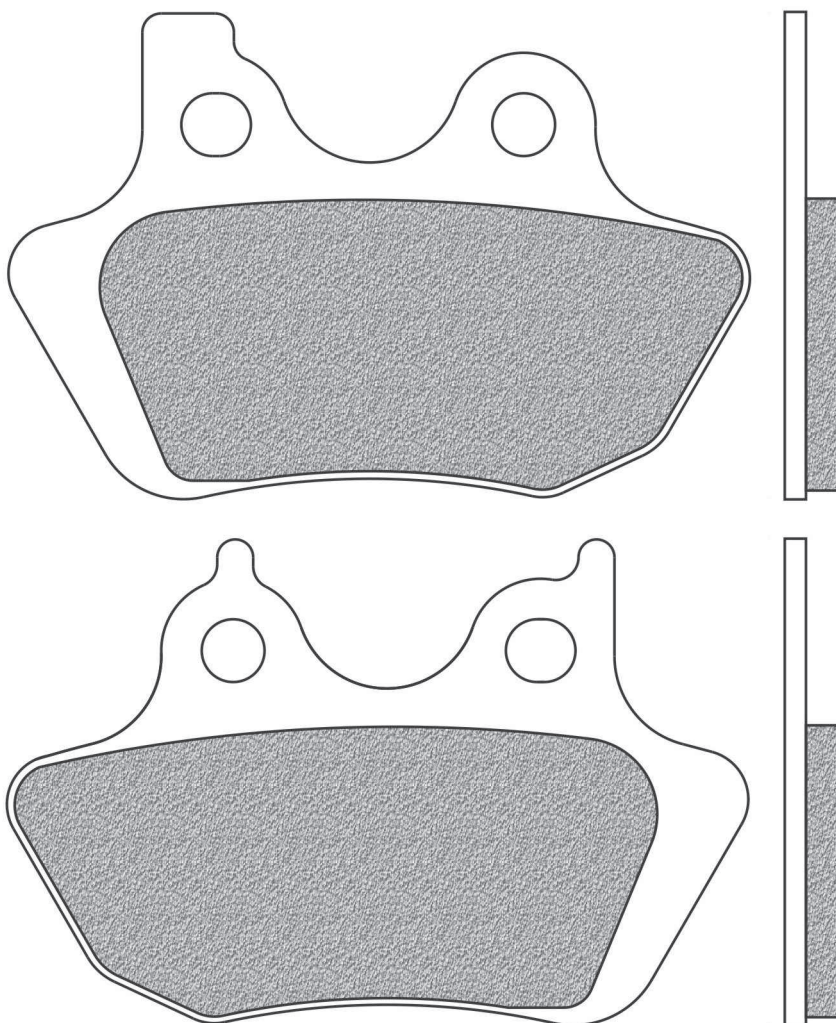
YAMAHA	Year	A/P
YFM 600 GRIZZLY	02->05	P
YFM 660 GRIZZLY	02->09	P

FIGURATO PASTIGLIE CON APPLICAZIONI | BRAKE PADS DRAWINGS AND APPLICATIONS | DESSINS PLAQUETTES AVEC APPLICATIONS |
DISEÑOS PASTILLAS CON RELACION | ZEICHNUNGEN VON BREMSBELÄGE MIT VERWENDUNGSLISTE



FD0389
BH | SH

D1 (mm): 98x63,8x8 (lxhxsp.)



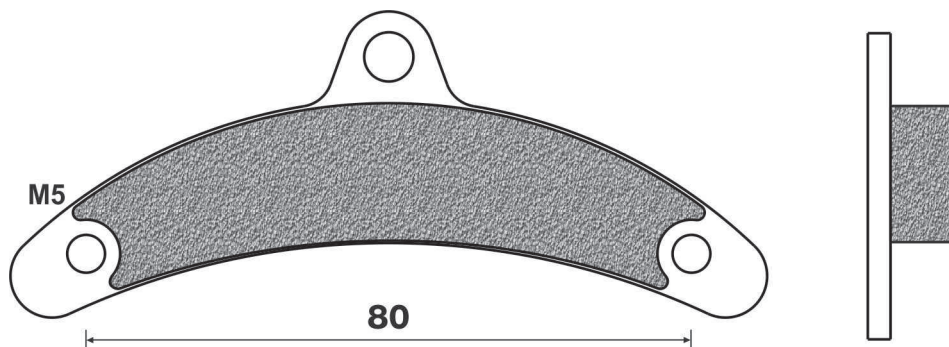
FLHTC/FLHTCI 1450 ELECTRA GLIDE CLASSIC	05->06	A / P
FLHTCUI 1450 ULTRA CLASSIC ELECTRA GILDE	05->06	A / P
FLHXI 1450 STREET GLIDE	06	A / P
FLSTC/FLSTCI 1450 HERITAGE SOFTAIL CLASSIC	05->06	A / P
FLSTF/FLSTFI 1450 FAT BOY	05->06	A / P
FLSTN/FLSTNI 1450 SOFTAIL DELUXE	05->06	A / P
FLSTSC/FLSTSCI 1450 SOFTAIL SPRINGER CLASSIC	05->06	P
FLTR 1450 ROAD GLIDE	05->06	A / P
FXD/FXDI 1450 SUPER GLIDE	05->06	A / P
FXDBI 1450 STREET BOB	06	A / P
FXDC/FXDCI 1450 SUPER GLIDE CUSTOM	05->06	A / P
FXDL/FXDLI 1450 LOW RIDER	05->06	A / P
FXDWG/FXDWGI 1450 WIDE GLIDE	05->06	A / P
FXDX/FXDXI 1450 SUPER GLIDE SPORT	05->06	A / P
FXST/FXSTI 1450 SOFTAIL STANDARD	05->06	A
FXSTB/FXSTBI 1450 NIGHT TRAIN	05->06	A / P
FXSTD/FXSTDI 1450 DEUCE	05->06	A / P
FXSTS/FXSTSI 1450 SPRINGER SOFTAIL	05->06	P
FLHR 1584 ROAD KING	07	A / P
FLHRC 1584 ROAD KING CLASSIC	07	A / P
FLHRS 1584 ROAD KING CUSTOM	07	A / P
FLHT 1584 ELECTRA GLIDE STANDARD	07	A / P
FLHTC 1584 ELECTRA GLIDE CLASSIC	07	A / P
FLHTCU 1584 ULTRA CLASSIC ELECTRA GLIDE	07	A / P
FLHX 1584 STREET GLIDE	07	A / P
FLSTC 1584 HERITAGE SOFTAIL CLASSIC	07	A / P
FLSTF 1584 FAT BOY	07	A
FLSTN 1584 SOFTAIL DELUXE	07	A / P
FLSTSC 1584 SOFTAIL SPRINGER CLASSIC	07	P
FLTR 1584 ROAD GLIDE	07	A / P
FXD 1584 DYNA SUPER GLIDE	07	A / P
FXDB 1584 DYNA STREET BOB	07	A / P
FXDC 1584 DYNA SUPER GLIDE CUSTOM	07	A / P
FXDL 1584 DYNA LOW RIDER	07	A / P
FXDWG 1584 DYNA WIDE GLIDE	07	A / P
FXST 1584 SOFTAIL STANDARD	07	A / P
FXSTB 1584 NIGHT TRAIN	07	A
FXSTC 1584 SOFTAIL CUSTOM	07	A
FXSTD 1584 SOFTAIL DEUCE	07	A / P
FLHTCSE2 1690 SCREAMIN' EAGLE ELECTRA GILDE 2	05->06	A / P
FLSTFSE 1690 SCREAMIN' EAGLE FAT BOY	05->06	A / P

HARLEY DAVIDSON	Year	A/P
VRSCA 1130 V-ROD	05	A / P
VRSCB 1130 V-ROD	05	A / P
VRSCSE 1250 SCREAMIN' EAGLE V-ROD	05->06	A / P

FLHR/FLHRI 1450 ROAD KING	05->06	A / P
FLHRCI 1450 ROAD KING CLASSIC	05->06	A / P
FLHRS/FLHRSI 1450 ROAD KING CUSTOM	05->06	A / P
FLHT/FLHTI 1450 ELECTRA GLIDE STANDARD	05->06	A / P

FD0390
K1 | K5 | K6

D1 (mm): 100x40x11 (lxhxsp.)

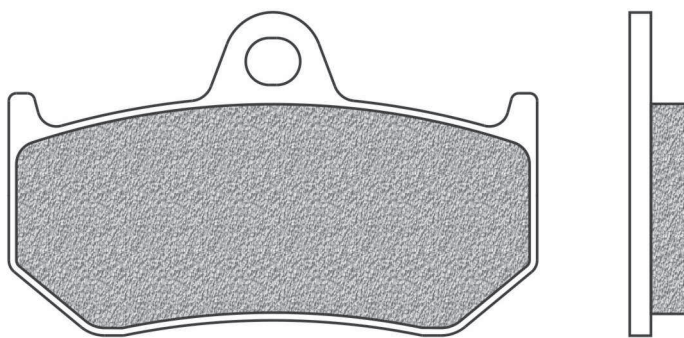


BIREL	Year	A/P
interasse fori 80 mm diametro M5 th 12	02->	A

FD0391

BT

D1 (mm): 70x43x7,5 (lxhxsp.)



BRUTALE 990 S	10->11	P
BRUTALE 1000 RR	20->	P
F4 1000	04->06	P
F4 1000 312 R - 312 R 1+1 - STOCK 312	08	P
F4 1000 R CORSA CORTA	12->	P
F4 1000 R - RR - TRICOLORE - ECOLE DE CHASSE	10->13	P
F4 1000 RC	15->	P
F4 1000 RR CORSA CORTA	12->	P
F4 1000 S - R - RR - S 1+1 - R 1+1 - RR 1+1	06->07	P
F4 1000 S - S 1+1 - AGO - TAMBURINI - STOCK	02->05	P
F4 1000 SENNA	06	P
F4 1000 STOCK - VELTRO - SBK Replica	06->08	P
BRUTALE 1078 R	08->09	P
BRUTALE 1078 RR	09	P
F4 1078 (1000cc)	07	P
F4 1078 312 R - 312 R 1+1	08	P
F4 1078 CC	08->11	P
F4 1078 RR	08->11	P
BRUTALE 1090 R	10->13	P
BRUTALE 1090 RR	12->13	P
BRUTALE 1090 RR Corsa	13->	P

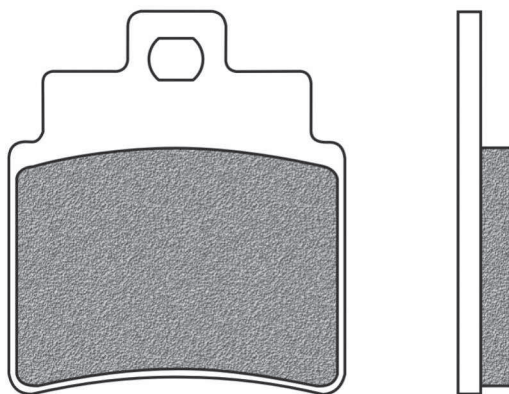
MV AGUSTA

Year	A/P	F3 800	13->20	P
F3 675 S	11->12	BRUTALE 910	05->08	P
BRUTALE 750 S	03->05	BRUTALE 910 R	05->08	P
BRUTALE 750 SERIE ORO	03->05	BRUTALE 910 S	05->08	P
F4 750 S - S 1+1	98->04	BRUTALE 920	11->14	P
F4 750 SERIE ORO	98->04	BRUTALE 989 S	08->09	P

FD0392

BV

D1 (mm): 44,5x51x7 (lxhxsp.)

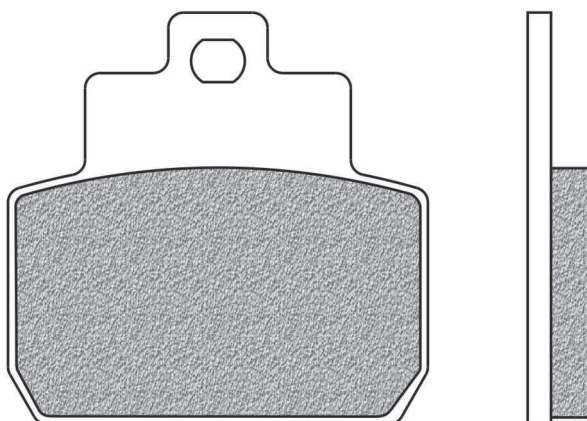


Year	A/P
KYMCO	
KXR 250	03->04

FD0394

BA | BE

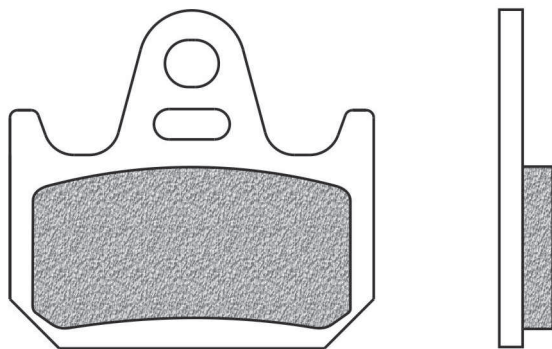
D1 (mm): 55,5x54,5x8 (lxhxsp.)



Year	A/P
PIAGGIO	
MP3 125	06->08
X EVO 125	07
X8 125 (pinza HengTong)	05->06
X8 125 (pinza HengTong)	05->06
X8 125 PREMIUM EURO 2	06->
X9 125 EVOLUTION (pinza HengTong)	01->
X8 200 (pinza HengTong)	05->
MP3 250	06->08
X8 250	05->
X9 250 EVOLUTION	05->06
BEVERLY 400 TOURER EURO3	08->10
BEVERLY 500	05->06
BEVERLY 500 CRUISER	07->12
BEVERLY 500 EURO 3	06->

FD0395
BT

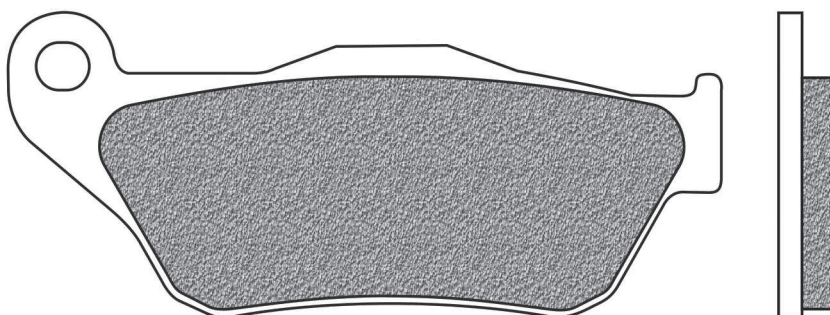
D1 (mm): 48,1x44,6x7,1 (lhxsp.)



YAMAHA	Year	A/P
TZ 125	97->98	P
TZ 250	02->	P
TZ 250 A - GP	90->01	P
TZ 250 COMPETITION	88->89	P

FD0396
BA
BE

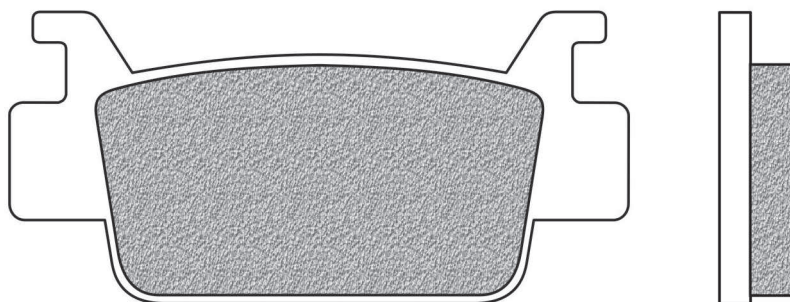
D1 (mm): 94,5x40x7,5 (lhxsp.)



YAMAHA	Year	A/P
X-MAX R 125 YP	06->09	A
X-MAX R 250 YP	05->09	A

FD0397
SV

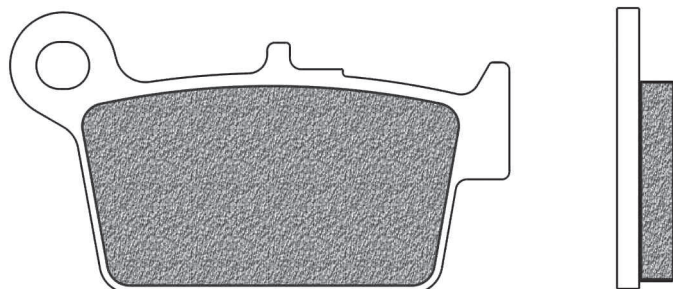
D1 (mm): 82x38,5x10 (lhxsp.)



HONDA	Year	A/P
TRX 500 Fourtrax Foreman 4WD FE ES	05->19	A
TRX 500 Fourtrax Foreman 4x4 FM	05->19	A
TRX 680 RINCON	03->	A
TRX 700 XX	08->12	P
SXS 1000 PIONEER (all models)	16->20	P
SXS 1000 TALON R/X (2 seater)	19->20	P
SXS 1000 TALON X-4 (4 seater)	20	P

FD0398
BD
SD

D1 (mm): 66x37x7,6 (lhxsp.)



ALP 125 4T	06->08	P
M4 125	06->	P
RR 125 4T	05->06	P
RR 125 4T RE	08->	P
RR 125 ENDURO 4T EU3	08->	P
RR 125 ENDURO EU3	07	P
RR 125 MOTARD 4T EU3	08->	P
RR 125 MOTARD EU3	07	P
URBAN 125	08->	P
ALP 200 4T	06->08	P
URBAN 200	08->	P
ALP 350 4.0	04->15	P
ALP 350 4.0 4T	16->18	P
M4 350	06->	P
MOTARD 350 4.0	04->08	P

BETA	Year	A/P
RR 50 ENDURO	05->17	P

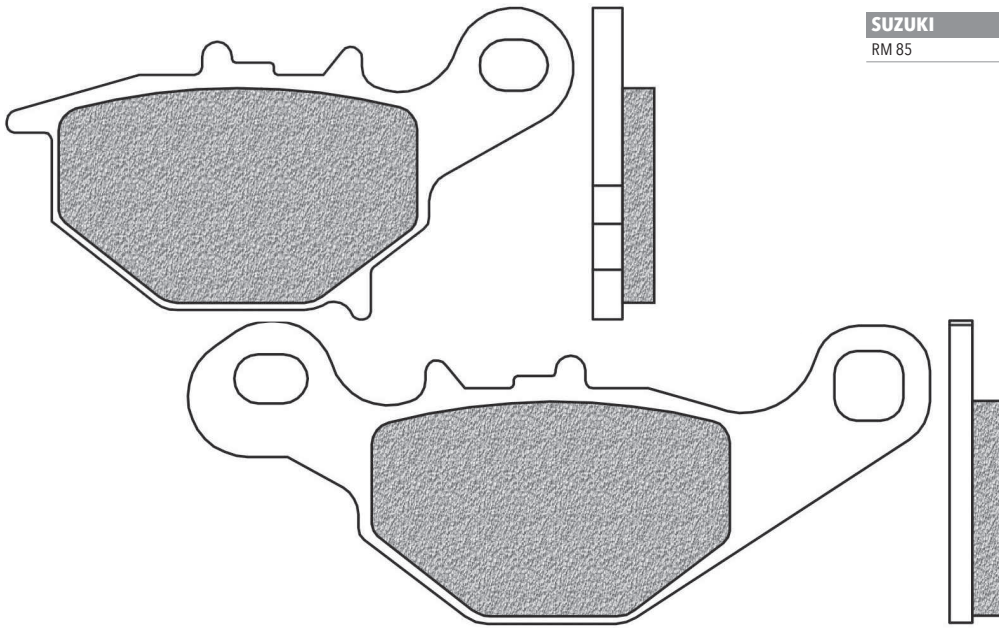
RR 50 SUPERMOTARD	08->17	P
RR 50 SUPERMOTARD ALU	04->05	P

FD0399

BD | SD

D1 (mm): 76x41,4x8,2 (lhxsp.)

D2 (mm): 99,2x39,6x7,5 (lhxsp.)

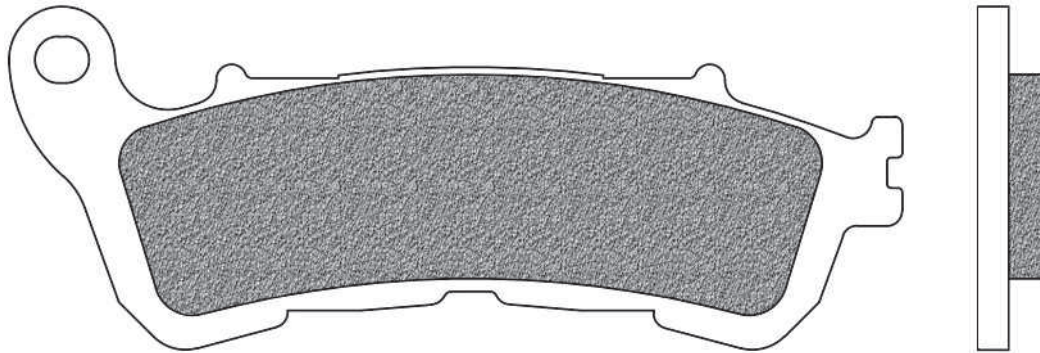


SUZUKI	Year	A/P
RM 85	05->15	P

FD0400

BA | BE | SE

D1 (mm): 118x46x9 (lhxsp.)



HONDA	Year	A/P
@ 125 NES	09->	A
S-WING 125 FES	08->	A
SH 125 i	09->12	A
@ 150 NES	09->	A
S-WING 150 FES	07->	A
SH 150 i	09->12	A

FORZA X 250 NSS	05->13	A
FORZA XE 250 NSS	05->13	A
JAZZ 250	05->	A
NSS 250	05->	A
PS 250	05->	A
FORZA 300 NSS	12->	A
FORZA 300 NSS ABS	14->18	A

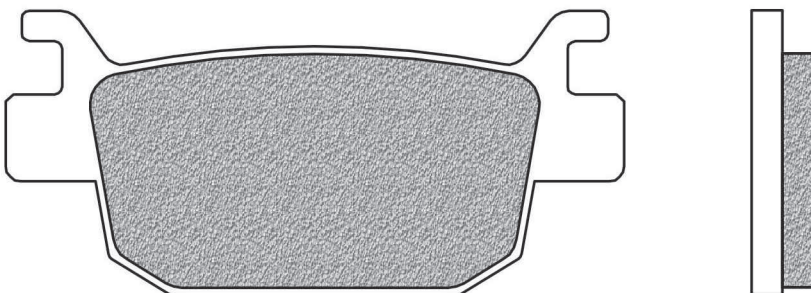
NC 700 D INTEGRA	12->13	A
------------------	--------	---

SUZUKI	Year	A/P
BURGMAN 125 UH	07->14	A
SIXTEEN 125 UX	08->12	A
SIXTEEN 150 UX	08->16	A
BURGMAN 200 UH	07->13	A

FD0401

BA | BE | SE

D1 (mm): 82x38x9 (lhxsp.)



BENELLI	Year	A/P
IMPERIALE 400	19->	P
LEONCINO 500	17->20	P

LEONCINO 500 TRAIL	18->20	P
TRK 502 500 ABS	17	P
TRK 502 500 X	18->	P

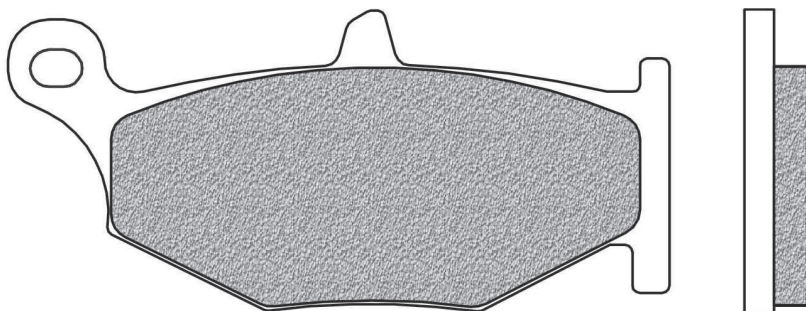
HONDA	Year	A/P
@ 125 NES	09->	P
FORZA 125 NSS	15->19	P
S-WING 125 FES	08->	P
SH 125 i	09->18	P
@ 150 NES	09->	P
S-WING 150 FES	07->	P
SH 150 i	09->18	P
FORZA X 250 NSS	05->13	P
FORZA X 250 NSS	05->13	P
JAZZ 250	05->	P
NSS 250	05->	P
FORZA 300 NSS	12->	P
FORZA 300 NSS ABS	14->18	P
SH 300 i	06->14	P
SH 300 i ABS	06->18	P

FIGURATO PASTIGLIE CON APPLICAZIONI | BRAKE PADS DRAWINGS AND APPLICATIONS | DESSINS PLAQUETTES AVEC APPLICATIONS |
 DISEÑOS PASTILLAS CON RELACION | ZEICHNUNGEN VON BREMSBELÄGE MIT VERWENDUNGSLISTE



FD0402
BT | TS

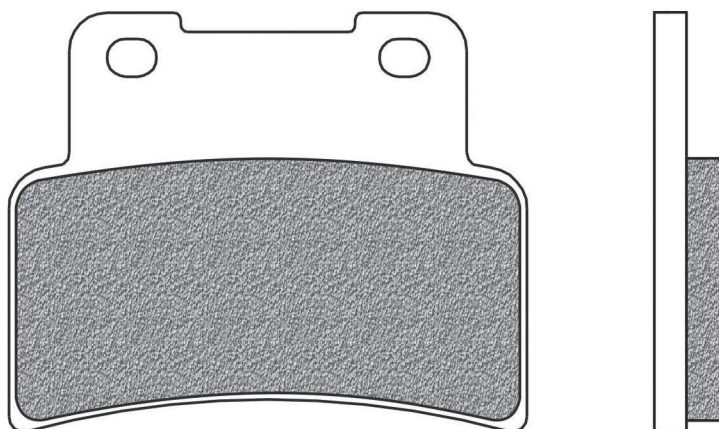
D1 (mm): 89,2x39,3x9,7 (lhxsp.)



SUZUKI	Year	A/P
GSR 400	06	P
GSR 600	06->10	P
GSX-R 600	06->10	P
GSX-R 750	06->10	P
DL 1000 V STROM	14->19	P
DL 1000 V STROM XT	17->19	P
DL 1000 V STROM XT ADVENTURE	19	P
GSX-R 1000	07->08	P
DL 1050 V STROM	20	P
DL 1050 V STROM XT	20	P
GSX-R 1300 HAYABUSA	08->17	P
GSX 1340 B KING	08->12	P

FD0404
B4R | BT | TS

D1 (mm): 68,5x55,5x9 (lhxsp.)

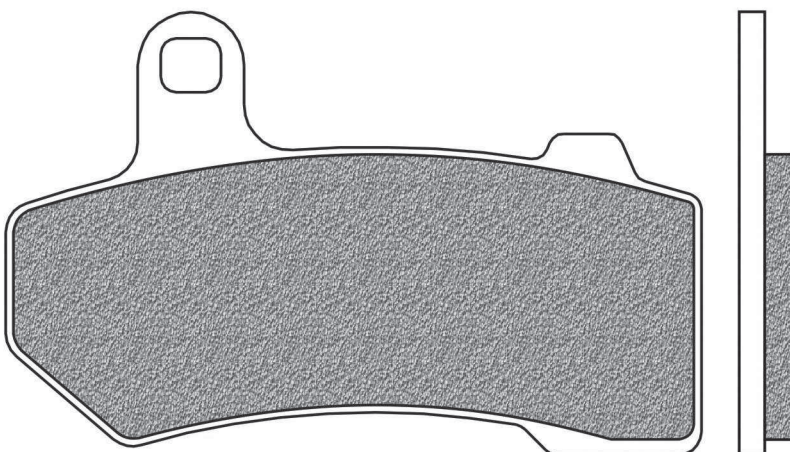


APRILIA	Year	A/P
RS 125	06->11	A
DORSODURO 750 SMV	09->18	A
SHIVER 750 SL	07->18	A
SHIVER GT 750 SL	09->12	A
NA 850 MANA	07->11	A
NA 850 MANA GT	09->16	A
DORSODURO 900	17->20	A
SHIVER 900	17->20	A

YAMAHA	Year	A/P
MT 125	14->19	A
YZF-R 125	14->20	A

FD0405
SH

D1 (mm): 92x58,5x7 (lhxsp.)



HARLEY DAVIDSON	Year	A/P
VRSCA 1130 V-ROD	06->07	A / P
VRSCD 1130 NIGHT ROD	06->07	A / P
VRSCDX 1130 NIGHT ROAD SPECIAL	07	A / P
VRSCR 1130 STREET ROD	06->07	A / P
VRSCA 1250 V-ROD	08->10	A / P
VRSCD 1250 NIGHT ROD	08->09	A / P
VRSCDX 1250 NIGHT ROD SPECIAL/ANNIV.	08->17	A / P
VRSCF 1250 V-ROD MUSCLE	09->17	A / P
VRSCX 1250	07	A / P
FLHR 1584 ROAD KING	08->09	A / P
FLHRC 1584 ROAD KING CLASSIC	08->10	A / P
FLHT 1584 ELECTRA GLIDE STANDARD	08->10	A / P
FLHT 1584 ELECTRA GLIDE ULTRA LTD	10	A / P
FLHTC 1584 ELECTRA GLIDE CLASSIC	08->09	A / P
FLHTCU 1584 ULTRA CLASSIC ELECTRA GILDE	08->10	A / P
FLHX 1584 STREET GLIDE/TOURING	08->12	A / P
FLTR 1584 ROAD GLIDE	08->09	A / P
FLHR 1690 ROAD KING	11->16	A / P
FLHRC 1690 ROAD KING CLASSIC	11->16	A / P
FLHTC 1690 ELECTRA GLIDE CLASSIC	11	A / P

...segue

... FD0405

... segue HARLEY DAVIDSON	Year	A/P
FLHTCU 1690 ULTRA CLASSIC ELECTRA GLIDE	13->16	A/P
FLHTCUL 1690 ULTRA CLASSIC ELECTRA GLIDE LOW	15->16	A/P
FLHTCUTG 1690 TRI GLIDE ULTRA CLASSIC TRIKE	10->13	A
FLHTK 1690 ELECTRA GLIDE ULTRA LTD	11->16	A/P
FLHTK-ANV 1690 ELECTRA GLIDE ULTRA LTD /110TH ANN.	13	A/P
FLHTKL 1690 ELECTRA GLIDE ULTRA LTD LOW	11->16	A/P
FLHX 1690 STREET GLIDE	11->16	A/P
FLHXS 1690 STREET GLIDE SPECIAL	15->16	A/P
FLHXXX 1690 STREET GLIDE TRIKE	10->11	A
FLTRX 1690 ROAD GLIDE	15->16	A/P
FLTRXS 1690 ROAD GLIDE SPECIAL	15->16	A/P
FLHR 1745 ROAD KING	17->20	A/P
FLHRC 1745 ROAD KING CLASSIC	17->19	A/P

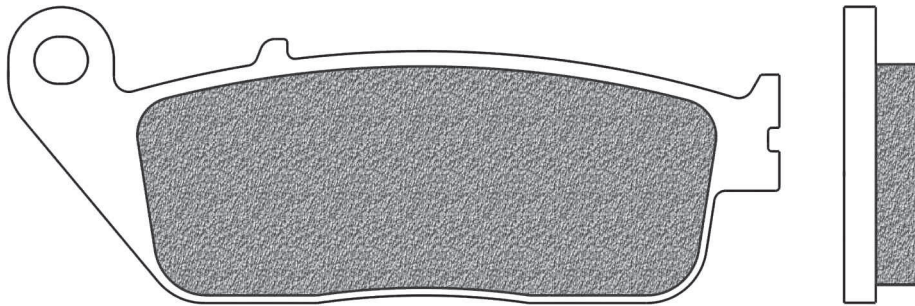
FLHTCU 1745 ELECTRA GLIDE ULTRA CLASSIC	17->19	A/P
FLHTK 1745 ULTRA LTD	17->20	A/P
FLHTKL 1745 ULTRA LTD LOW	17->19	A/P
FLHT 1745 ELECTRA GLIDE STANDARD	19->20	A/P
FLHX 1745 STREET GLIDE	17->19	A/P
FLHXS 1745 STREET GLIDE SPECIAL	17->19	A/P
FLTRU 1745 ROAD GLIDE ULTRA	17->19	A/P
FLTRX 1745 ROAD GLIDE	17->20	A/P
FLTRXS 1745 ROAD GLIDE /SPECIAL	15->20	A/P
FXSE 1800 CVO PRO STREET BREAKOUT	17	P
FLHTK 1868 ULTRA LTD	17->20	A/P
FLHTX 1868 ULTRA LIMITED	18->20	A/P
FLHXSE 1868 CVO STREET GLIDE	17->18	A/P
FLTRK 1868 ROAD GLIDE LIMITED	20	A/P

FLTRXS 1868 ROAD GLIDE SPECIAL	19->20	A/P
FLTR 1868 ROAD GLIDE ULTRA	19->20	A/P
FLHTKSE 1917 CVO ULTRALTD	18->20	A/P
FLHXES 1917 CVO STREET GLIDE	19->20	A/P
FLTRXSE 1917 CVO ROAD GLIDE CUSTOM	18->19	A/P

FD0406

D1 (mm): 102x39x10,3 (lxhxsp.)

BA | BE | BT | SE



HONDA	Year	A/P
SH 125 i	13->18	A
SH 150 i	13->18	A
SH 300 i ABS	15->18	A

KYMCO	Year	A/P
XCITING 250	05	A
XCITING 250 i	06->	A
XCITING 300 I	08->	A
XCITING 300 I R	08->09	A
XCITING 500	05	A

XCITING 500 I	06->08	A
XCITING 500 I EVO ABS	12->	A
XCITING 500 I R	07->	A
XCITING 500 R	09->	A
MY ROAD 700	09->	A

YAMAHA	Year	A/P
SPORT EDITION 125 YP R	11->	A
X-MAX R 125 YP	10->17	A
X-MAX R 125 YP ABS	11	A
X-MAX RA 125 YP ABS	13->17	A

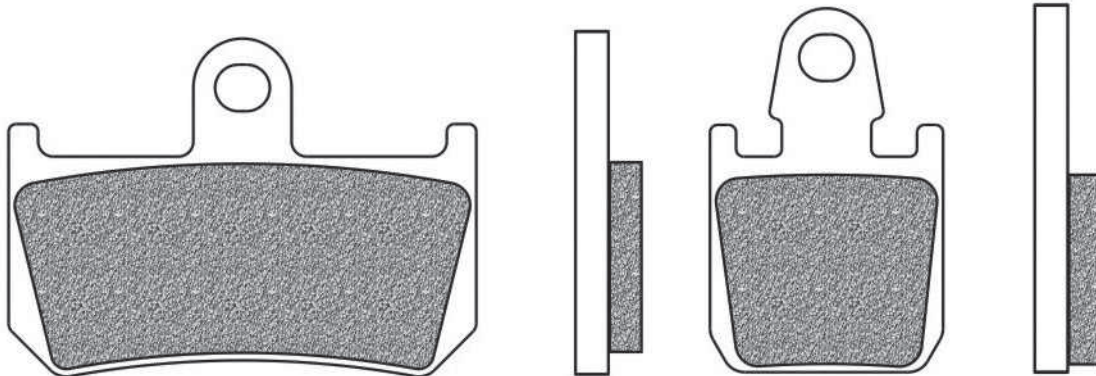
X-MAX R 250 YP	10->16	A
X-MAX R 250 YP BLACK	09	A
X-MAX R 250 YP SPORT	11->12	A
X-MAX RA 250 YP ABS	11->16	A
X-MAX R 400 YP	13->16	A
X-MAX R 400 YP MOMODESIGN	14	A
X-MAX RA 400 YP ABS	14->17	A
X-MAX RA 400 YP ABS MOMODESIGN	14	A
MT-01 1670	05->16	P
MT-01S 1670	09	P

FD0407 (4 pz.)

D1 (mm): 62x45x8,5 (lxhxsp.)

D2 (mm): 31x48,5x8,5 (lxhxsp.)

B4R | R01 | SP | TS



YAMAHA	Year	A/P
YZ-F 1000 R1	07->14	A
MT-01 1670	07->16	A

MT-01S 1670	09	A
V MAX 1700	09->18	A

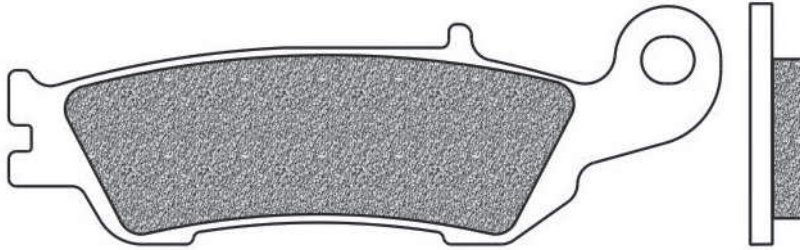
FIGURATO PASTIGLIE CON APPLICAZIONI | BRAKE PADS DRAWINGS AND APPLICATIONS | DESSINS PLAQUETTES AVEC APPLICATIONS |
 DISEÑOS PASTILLAS CON RELACION | ZEICHNUNGEN VON BREMSBELÄGE MIT VERWENDUNGSLISTE



FD0411

BD | SD | X01

D1 (mm): 94,5x32x7,5 (lhxhxp.)

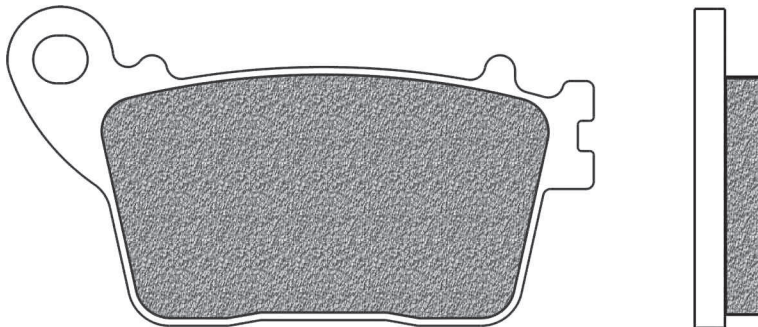


YAMAHA	Year	A/P
YZ 125	08->20	A
WR F 250	17->20	A
YZ 250	08->20	A
YZ-F 250	07->20	A
WR F 450	16->19	A

FD0412

BT | TS

D1 (mm): 77,5x42,1x9 (lhxhxp.)



KAWASAKI	Year	A/P
ZX-6R 636 NINJA	13->20	P
ZX-10R 1000 NINJA	11->20	P
ZX-10R 1000 NINJA ABS	12->15	P
ZX-10R 1000 NINJA SE	18->20	P
ZX-10RR 1000 NINJA	17->20	P

SUZUKI	Year	A/P
GSX-R 600	11->19	P
GSX-R 750	11->19	P
GSX-R 1000	09->20	P
GSX-R 1000 R	17->20	P
GSX-S 1000	15->19	P
GSX-S 1000 F	15->19	P

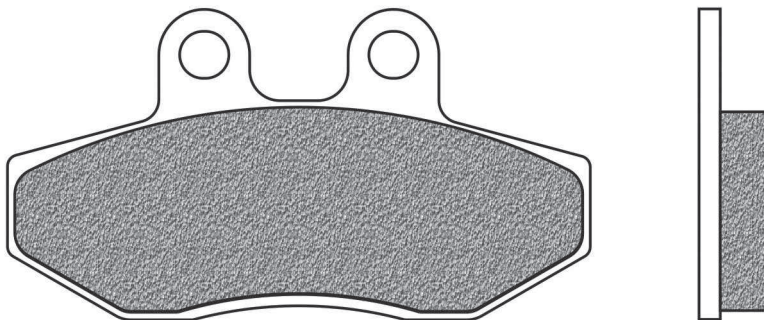
HONDA	Year	A/P	Year	A/P
CB 600 F HORNET	07->13	P	CBR 600 RR ABS	09->19
CBR 600 F	11->13	P	CBR 1000 RR FIREBLADE	06->19
CBR 600 F ABS	11->13	P	CBR 1000 RR FIREBLADE ABS	09->16
CBR 600 RR	07->15	P	CBR 1000 RR SP	14->19
			CBR 1000 RR SP2	17->19

YAMAHA	Year	A/P
YZ-F 600 R6	17->20	P
YZ-F 1000 R1	15->20	P
YZ-F 1000 R1M	15->20	P
YZ-F 1000 R1S	16	P

FD0414

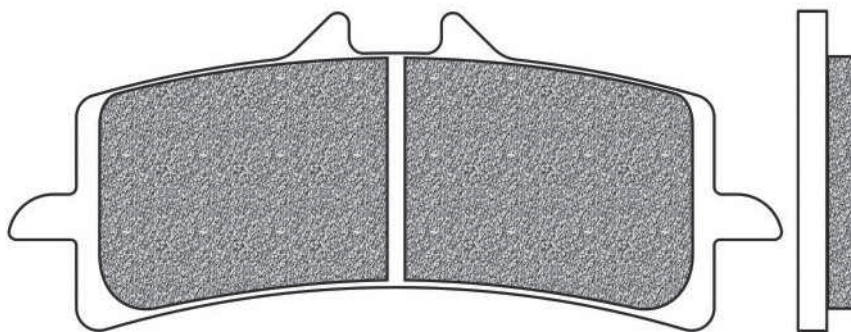
BA

D1 (mm): 77x41x9,4 (lhxhxp.)



YAMAHA	Year	A/P
CYGNUS X 125 NXC	04->11	A

D1 (mm): 102x42,5x7,6 (lxh xsp.)



FIGURATO PASTIGLIE CON APPLICAZIONI | BRAKE PADS DRAWINGS AND APPLICATIONS | DESSINS PLAQUETTES AVEC APPLICATIONS |
DISEÑOS PASTILLAS CON RELACION | ZEICHNUNGEN VON BREMSBELÄGE MIT VERWENDUNGSLISTE

APRILIA	Year	A/P
RSV4 1000 FACTORY	09->10	A
RSV4 1000 FACTORY ABS	13	A
RSV4 1000 FACTORY APRC	11->12	A
RSV4 1000 FACTORY APRC R - ABS	11->13	A
RSV4 1000 SBK RACING	09->10	A
RSV4-R 1000	10	A
RSV4-R 1000 APRC - ABS	11->14	A
RSV4-RF 1000	15->20	A
RSV4-RR 1000	15->20	A
RSV 1100 TUONO V4 FACTORY	17->18	A
RSV 1100 TUONO V4 RR	17->18	A
RSV4 1100 FACTORY	19	A

BIMOTA	Year	A/P
BB3 1000	14->	A
DB7 1099	09->	A
DB8 1198	10->	A

BMW	Year	A/P
S 1000 RR HP4	13->14	A
HP2 1200 SPORT	08->11	A

BREMBO	Year	A/P
220988530 - P4 34 RADIAL MONOBLOCK 100mm		A
220A39710 - P4 34 RADIAL MONOBLOCK 108mm		A
220B47310 - P4 32 RADIAL 100mm		A
220B47310 - P4 32 RADIAL 108mm		A
GP4 RX 220B01010 RADIAL		A

DUCATI	Year	A/P
848 848 EVO	11->12	A
848 848 EVO CORSE SE	12	A
SUPERBIKE (848 cc) 848 EVO CORSE SE - EVO - USA	13	A
PANIGALE 955 V2	20	A
PANIGALE 998 V4 R	19->20	A
DESMOSEDICI 1000 RR	08	A
PANIGALE 1000 V4R (998)	19->20	A
1098 (1100cc)	07->08	A
1098 R (1200cc)	08->09	A
1098 R BAYLISS (1200cc)	09	A
1098 S (1100cc)	07->08	A
1098 S TRICOLORE (1100cc)	07->08	A
STREETFIGHTER 1098 S	13	A
HYPERMOTARD 1100 EVO SP	10->12	A
HYPERMOTARD 1100 S	07->09	A
PANIGALE 1100 V4	18->20	A
PANIGALE 1100 V4 CORSE	19->20	A
PANIGALE 1100 V4 S	18->20	A
PANIGALE 1100 V4 SPECIALE	18->19	A
STREETFIGHTER 1100	10->11	A
STREETFIGHTER 1100 S	10->12	A
1198 (1200cc)	09->11	A
1198 R CORSE (1200cc)	10	A
1198 S (1200cc)	09->10	A
1198 S CORSE (1200cc)	10	A
1198 SP (1200cc)	11	A
PANIGALE 1198 R	15	A

PANIGALE 1199 (1200cc)	12->14	A
PANIGALE 1199 R	17	A
PANIGALE 1199 R (1200cc)	13->14	A
PANIGALE 1199 S (1200cc)	12->14	A
PANIGALE 1199 TRICOLORE (1200cc)	12->13	A
DIAVEL 1200	11->13	A
DIAVEL 1200 AMG	13	A
DIAVEL 1200 CARBON	11->13	A
DIAVEL 1200 CARBON BRA	12->14	A
DIAVEL 1200 CARBON FL	15	A
DIAVEL 1200 CROMO	13->	A
DIAVEL 1200 STRADA	13->14	A
DIAVEL 1200 WHITE STRIPE	13->14	A
MONSTER 1200 R	16->19	A
MONSTER 1200 S	14->20	A
MULTISTRADA 1200 S	15->17	A
MULTISTRADA 1200 S D AIR	15->17	A
MULTISTRADA 1200 S PIKES PEAK	16->17	A
MULTISTRADA 1200 S TOURING	15->17	A
MULTISTRADA 1200 TOURING	15->17	A
PANIGALE 1200 R	16	A
XDIAVEL 1200	16->18	A
XDIAVEL 1200 S	16->18	A
DIAVEL 1260	19->20	A
DIAVEL 1260 S	19->20	A
MULTISTRADA 1262 S	18->20	A
MULTISTRADA 1262 S D-AIR	18->20	A
MULTISTRADA 1262 S GRAND TOUR	20	A
MULTISTRADA 1262 S PIKES PEAK	18->20	A
MULTISTRADA 1262 S TOURING	18->20	A
MULTISTRADA 1262 TOURING	18->20	A
XDIAVEL 1262	16->20	A
XDIAVEL 1262 S	16->20	A
XDIAVEL 1262 SPORT PACK	17->18	A
PANIGALE 1299 (1285-1299-1300CC)	15->17	A
PANIGALE 1299 R FINAL EDITION 1285cc	18	A
PANIGALE 1299 S (1285-1299-1300cc)	15->17	A
PANIGALE 1299 SUPER LEGGERA RACING	17	A

HONDA	Year	A/P
CBR 1000 FIREBLADE RR-R SP	20	A
CBR 1000 RR SP	14->19	A
CBR 1000 RR SP2	17->19	A
RC213V-S 1000	16->20	A

HUSQVARNA	Year	A/P
FS 450	15->17	A
NUDA R 900 ABS	11->13	A

KAWASAKI	Year	A/P
Z 1000 R	17->18	A
ZX 1000 H2 CARBON NINJA	17->20	A
ZX 1000 H2 NINJA	15->20	A
ZX 1000 H2 SX SE+	19->20	A
ZX 1000 H2R NINJA	15->20	A
ZX-10R 1000 NINJA	16->20	A
ZX-10R 1000 NINJA SE	18->20	A
ZX-10RR 1000 NINJA	17->20	A

ZZR 1400 PERFORMANCE SPORT	17->18	A
ZZR 1400 SE	16->18	A

KTM	Year	A/P
SMR 450	13->	A
LC4 690 DUKE R	14->17	A
LC8 990 SUPERMOTO R	09->13	A
RC8 1190	08->11	A
RC8 1190 R	09->15	A
RC8 1190 R TRACK	11->15	A
1290 SUPER DUKE GT	16->20	A
1290 SUPER DUKE R	14->20	A
1290 SUPERDUKE R BLACK	20	A

MV AGUSTA	Year	A/P
BRUTALE 675 S	15->17	A
F3 675	15->20	A
F3 675 RC	15->20	A
F3 800	13->20	A
F3 800 RC	15->20	A
SUPERVELOCE 800	19->20	A
BRUTALE 990 S	10->11	A
BRUTALE 1000 RR	20->	A
F4 1000 R CORSA CORTA	12->	A
F4 1000 R-RR-TRICOLORE - ECOLE DE CHASSE	10->13	A
F4 1000 RC	15->	A
F4 1000 RR CORSA CORTA	12->	A
BRUTALE 1078 R	08->09	A
BRUTALE 1078 RR	09	A
F4 1078 CC	08->11	A
F4 1078 RR	08->11	A
BRUTALE 1090 RR	12->13	A
BRUTALE 1090 RR Corsa	13->	A

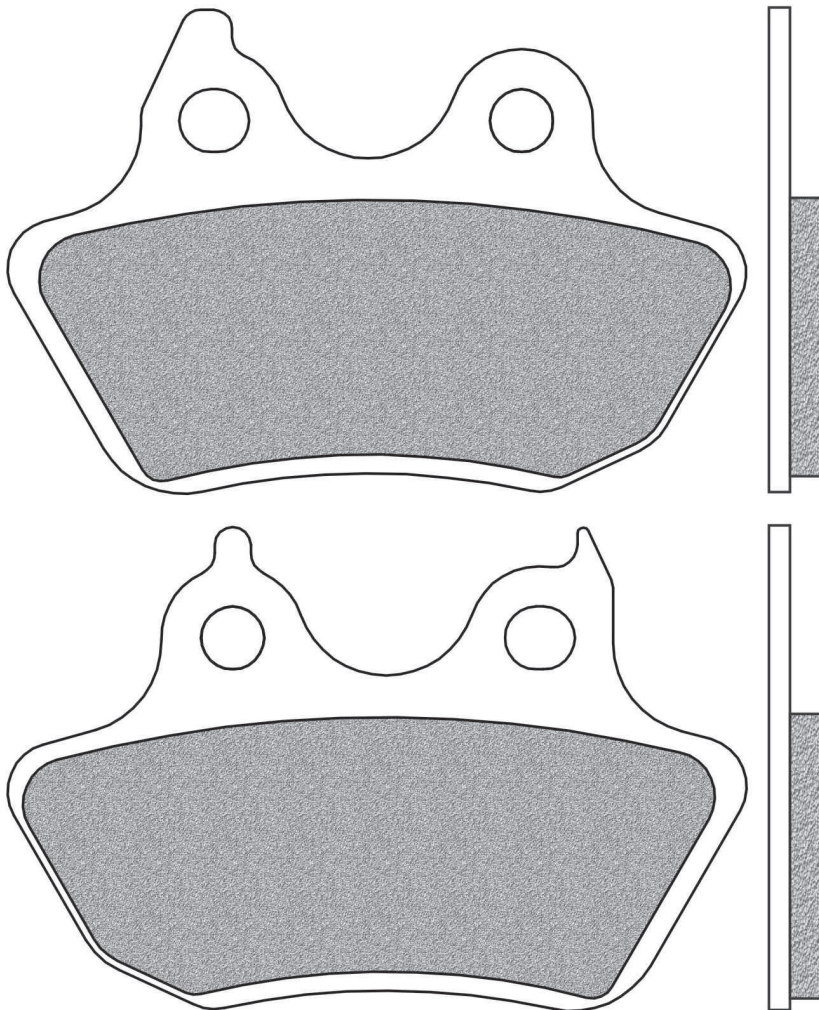
SUZUKI	Year	A/P
GSX-R 600	11->19	A
GSX-R 750	11->19	A
GSX-R 1000	12->20	A
GSX-R 1000 R	17->20	A
GSX-S 1000	15->19	A
GSX-S 1000 F	15->19	A
GSX-S 1000 KATANA	19->20	A
GSX-R 1300 HAYABUSA	13->17	A

TRIUMPH	Year	A/P
DAYTONA TRIPLE R 675	11->18	A
DAYTONA 765 MOTO2	20	A
STREET TRIPLE RS 765	17->20	A
SPEED 94R 1050	15->16	A
SPEED TRIPLE R 1050	12->18	A
SPEED TRIPLE RS 1050	16->20	A
SPEED TRIPLE S 1050	16->20	A
SCRAMBLER XC 1200	19->20	A
SCRAMBLER XE 1200	19->20	A
THRUXTON R 1200	16->19	A
THRUXTON RS 1200	20	A



FD0416
SH

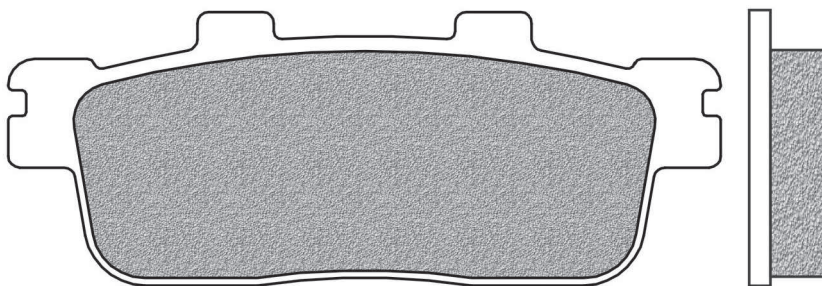
D1 (mm): 98x63,8x8 (lhxsp.)


HARLEY DAVIDSON

	Year	A/P
FXST/FXSTI 1450 SOFTAIL STANDARD	05->06	P
FLSTF 1584 FAT BOY	07	P
FXSTB 1584 NIGHT TRAIN	07	P
FXSTC 1584 SOFTAIL CUSTOM	07	P

FD0417
BA | BE

D1 (mm): 94,1x36,2x10,5 (lhxsp.)



HD EVO 200	11->	P
HD EVO 200 EURO 2	05->06	P
HD EVO 200 I EURO 3	07->10	P
HD2 EVO 200	13->	P
JOYRIDE 200 I EVO	09->10	P
JOYRIDE 200 S	16	P
GTS 250	06->08	P
JOYMAX 250	05->07	P
JOYMAX 250 I EURO 3	07->08	P
JOYMAX 250 SPORT	16	P
QUAD LANDER 250	06->07	P
CRUISYM 300 EURO4	17	P
JOYMAX 300 EVO	09	P
JOYMAX 300 EVO I	10	P
JOYMAX 300 SPORT	16->17	P
JOYRIDE 300 EVO i	10->	P

DAELIM

	Year	A/P
ST 250 SECTOR QUAD	05->06	P

E-TON

	Year	A/P
RXL 150 VIPER	07->	P
VXL 250 VECTOR - ST VECTOR	06->	P
VTL 300 VORTEX - ST VORTEX	07->	P

KYMCO

	Year	A/P
PEOPLE S 50 4T	06->08	P

PEUGEOT

	Year	A/P
LXR 125	10->	P
LXR 200	10->	P

SYM

	Year	A/P
GTS 125	06->07	P
GTS 125 JOYMAX	06->07	P
HD 125	05->06	P
HD 125 EU 2	03->04	P
HD 125 EURO 3	07->08	P
HD EVO 125	05->06	P
HD EVO 125 EURO3	10	P
JOYMAX 125 SPORT	16	P
JOYRIDE 125 EURO 2	05->06	P
JOYRIDE 125 EURO 3	07->09	P
JOYRIDE 125 EVO	10->	P
JOYRIDE 125 S	16	P
TRACK RUNNER 180	06->07	P

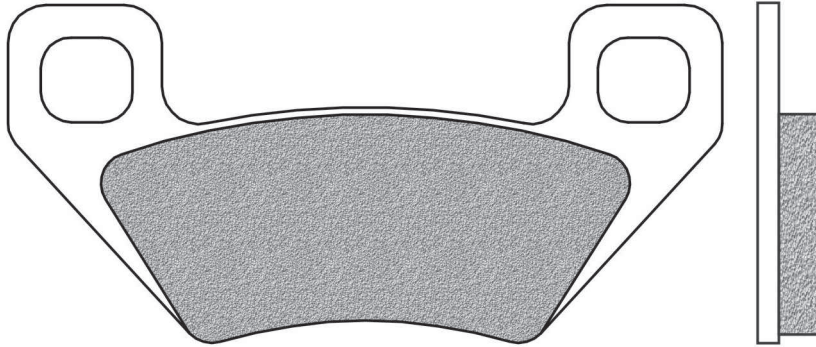
TGB

	Year	A/P
X-LARGE 125	11->	P
X-MOTION 125	08->	P
X-MOTION 250	08->	P
X-MOTION 300	10->	P

FD0418

BV | SV

D1 (mm): 94,5x45x7 (lxhxsp.)



ARCTIC CAT 650 H1 4x4 (Automatic Transmission)	05->07	A / P
ARCTIC CAT 650 HI AUTO	06	A / P
ARCTIC CAT 650 V-TWIN AUTO FIS	06	A / P
PROWLER 650 H1 XT	06->07	A / P
ARCTIC CAT 700 4x4 AUTO F15/EFI	06->07	A / P

KYMCO		
	Year	A/P
MAXXER 400	08->10	A / P
MXU 400	08->11	A / P
MAXXER 450 RI	12->15	A
MAXXER i 450	18->19	A / P
MXU 450 i	12->13	A
MXU 700 i EX	19	P
UXV 700 i	14->15	A

POLARIS		
	Year	A/P
HAWKEYE 300 2x4 / 4x4	06	P

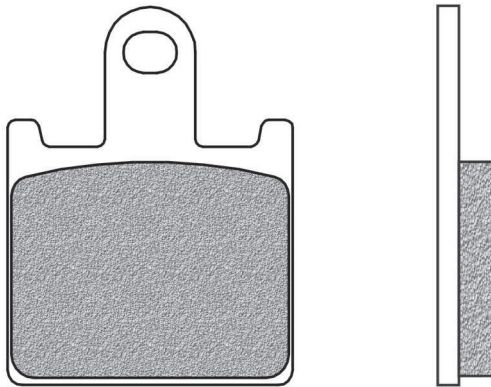
ARCTIC CAT		
	Year	A/P
ARCTIC CAT 250 2x4 - 4x4	05->	A / P
ARCTIC CAT 300 4x4	05	A / P

ARCTIC CAT 400 4x4 FIS (Automatic Transmission)	05->07	A / P
ARCTIC CAT 400 FIS (Manual Transmission)	05->07	A / P
ARCTIC CAT 500 TRV (Automatic Transmission)	05->07	A / P

FD0419 (4 pz.)

R01 | SP | TS

D1 (mm): 38x50x7,5 (lxhxsp.)



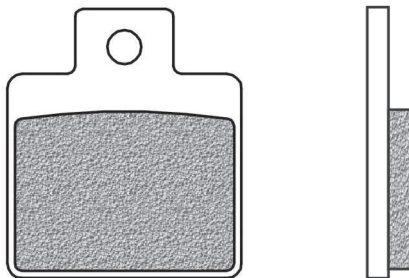
KAWASAKI		
	Year	A/P
ZX-6R 600 NINJA	07->17	A
Z 750 R	11->12	A
Z 1000	07->09	A
GTR 1400	08->14	A
GTR 1400 ABS	15->20	A
ZZR 1400	06->07	A
ZZR 1400 ABS	06->20	A

SUZUKI		
	Year	A/P
GSX 1300 B KING	07	A

FD0420

BD

D1 (mm): 31x35,5x5,7 (lxhxsp.)

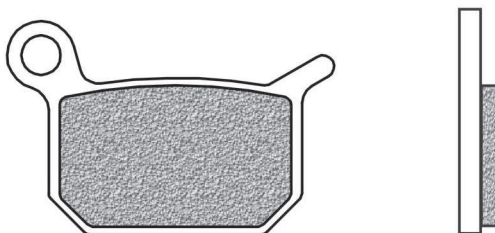


CS RACING		
	Year	A/P
Minimoto (31x35,5x5,7)		A

FD0421

BD | TS

D1 (mm): 43,5x28,5x5 (lxhxsp.)



GRC		
	Year	A/P
Minimoto		A

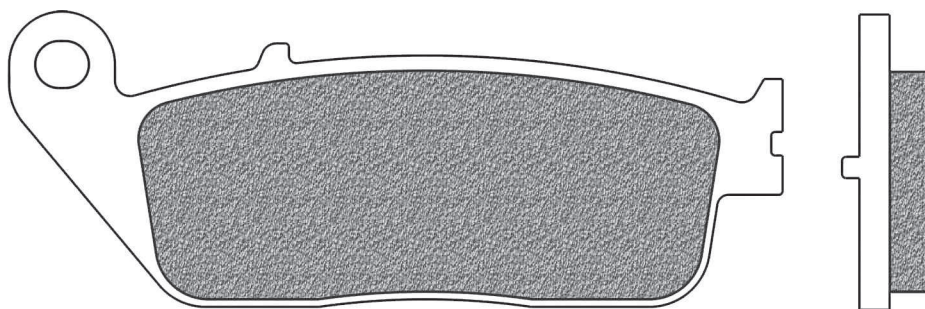
FIGURATO PASTIGLIE CON APPLICAZIONI | BRAKE PADS DRAWINGS AND APPLICATIONS | DESSINS PLAQUETTES AVEC APPLICATIONS | DISEÑOS PASTILLAS CON RELACION | ZEICHNUNGEN VON BREMSBELÄGE MIT VERWENDUNGSLISTE



FD0422

BA | BE

D1 (mm): 102x39x9,8 (lhxsp.)



KYMCO	Year	A/P
XCITING 400 I	12->	P
XCITING 500	05	P

XCITING 500 I	06->08	P
XCITING 500 I EVO ABS	12->	P
XCITING 500 I R	07->	P

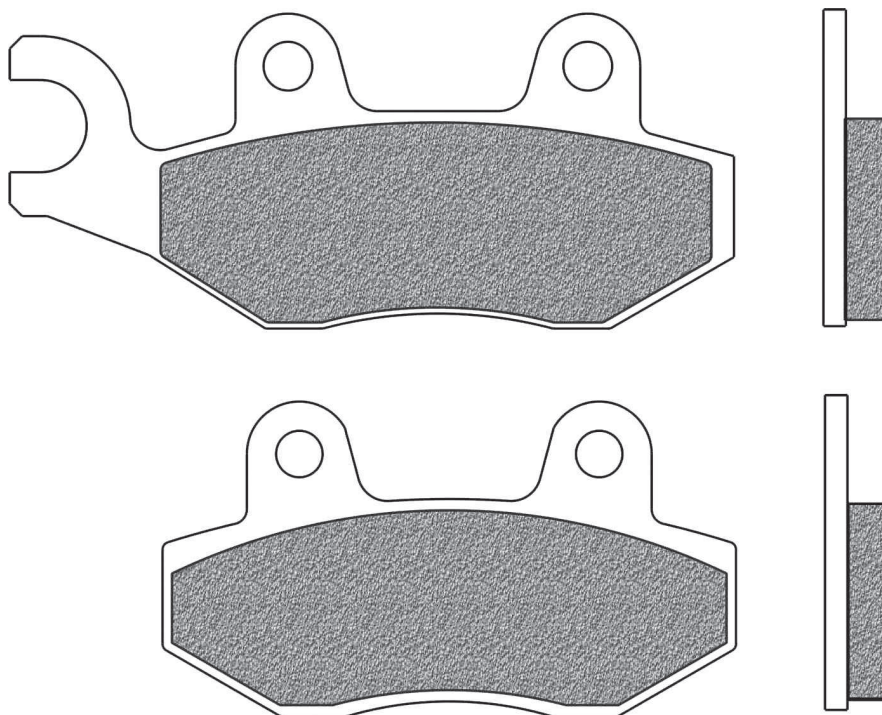
XCITING 500 R	09->	P
MY ROAD 700	09->	P

FD0423

BA | BE

D1 (mm): 97x42x9,2 (lhxsp.)

D2 (mm): 76x42x9,2 (lhxsp.)



BENELLI	Year	A/P
CAFFE NERO 250	08->	A

DAELIM	Year	A/P
A FOUR 50	06->	A
DELFINO 125	08->	A

GENERIC	Year	A/P
ZION 125	08->	A

KEEWAY	Year	A/P
125 SUPERLIGHT	06->16	A
150 SUPERLIGHT	06->16	A
250 LAND CRUISER	06->14	A

KYMCO	Year	A/P
AGILITY 50 4T R 10	06->14	A
AGILITY 50 4T R 12	07->15	A
AGILITY 50 RS NAKED 2T	10->15	A
FILLY 50 LX	02->06	A
AGILITY 125 CITY	11->17	A
AGILITY 125 RS	09	A
MOVIE 125	99->00	A
STRYKER 125 ON / OFF	99->06	A
PEOPLE S 250	06->	A
PEOPLE S 250 i	07->	A
PEOPLE S 300 I	08->10	A

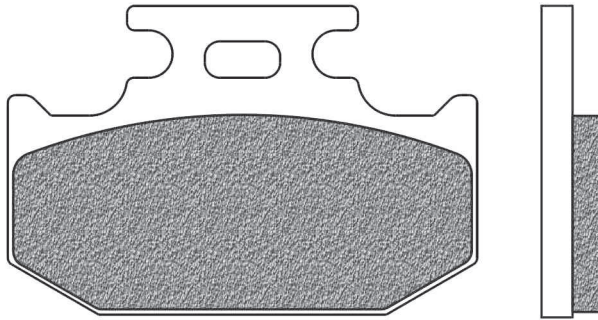
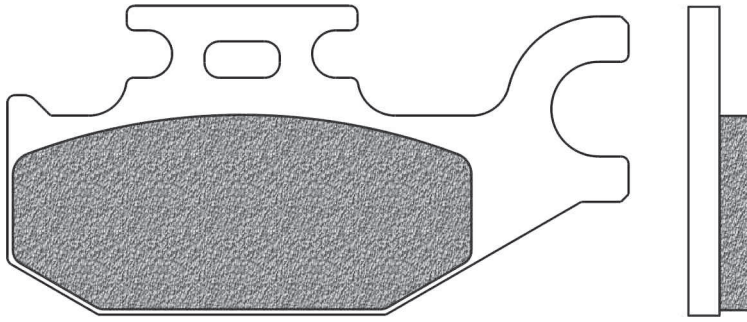
MALAGUTI	Year	A/P
BLOG 125	09->11	A
CENTRO 125 IE	08->09	A
CENTRO 125 SL	09->11	A
BLOG 160	09->11	A
CENTRO 160 IE	08->09	A
CENTRO 160 SL	09->11	A

FD0424

BV | SV

D1 (mm): 82x41x8,4 (l x h x sp.)

D2 (mm): 62x41x8,4 (l x h x sp.)



SUZUKI	Year	A/P
LT-A 400 KING QUAD 4WD	08->12	A
LT-A 450	07->10	A
LT-A 500 POWER STEERING	09->12	A
LT-A 700 KING QUAD	06->07	A

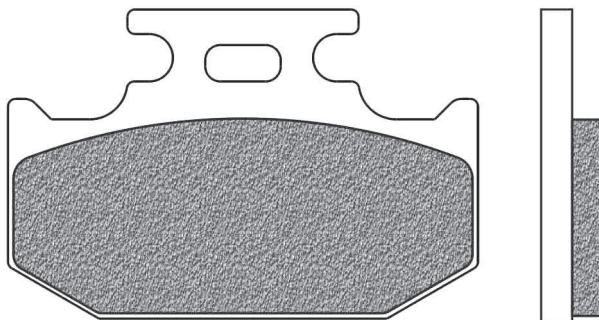
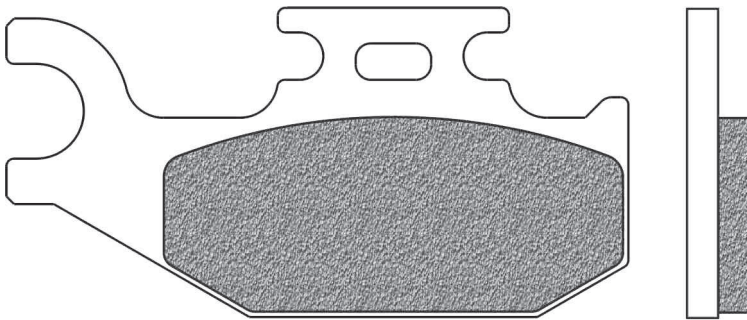
FIGURATO PASTIGLIE CON APPLICAZIONI | BRAKE PADS DRAWINGS AND APPLICATIONS | DESSINS PLAQUETTES AVEC APPLICATIONS
DISEÑOS PASTILLAS CON RELACION | ZEICHNUNGEN VON BREMSBELÄGE MIT VERWENDUNGSLISTE

FD0425

BV | SV

D1 (mm): 82x41x8,4 (l x h x sp.)

D2 (mm): 62x41x8,4 (l x h x sp.)



SUZUKI	Year	A/P
LT-A 400 KING QUAD 4WD	08->12	A
LT-A 450	07->10	A
LT-A 500 POWER STEERING	09->12	A
LT-A 700 KING QUAD	06->07	A

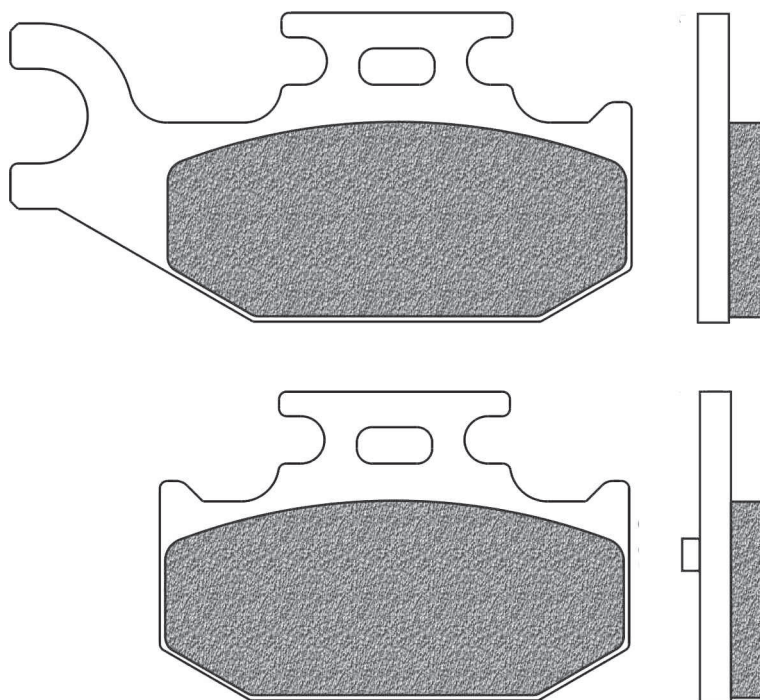


FD0426

BV | SV

D1 (mm): 82x41x9,5 (lhxsp.)

D2 (mm): 62x41x9,5 (lhxsp.)



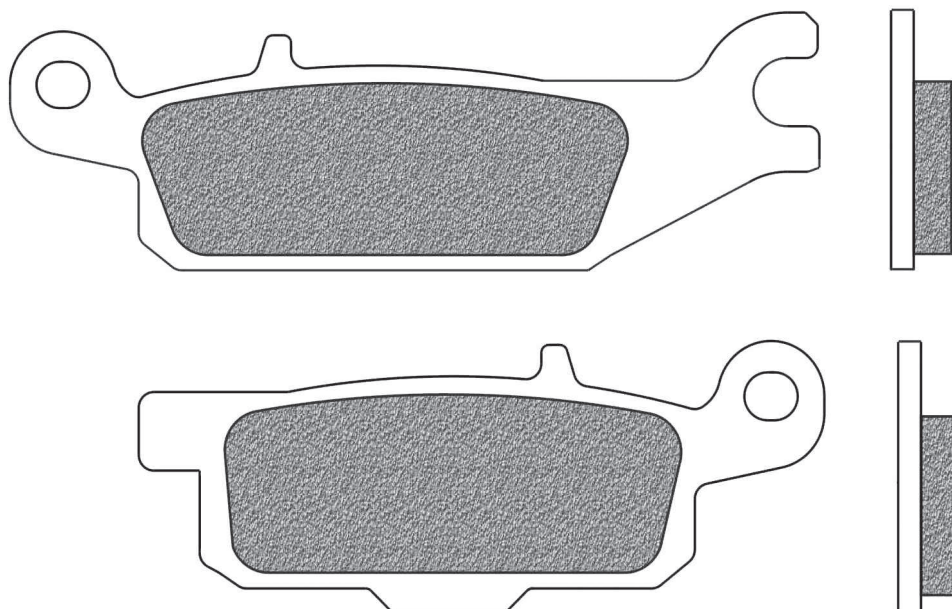
YAMAHA	Year	A/P
YXR 660 RHINO 4x4	04->09	P
YFM 700 R RAPTOR	06->12	P
YFM 700 RSEW / RSPX	07->12	P

FD0427

SV

D1 (mm): 107x36,5x7,8 (lhxsp.)

D2 (mm): 91,6x36,5x7,8 (lhxsp.)



YAMAHA	Year	A/P
YFM 250 RX/RX Raptor	08->09	A
YFM 700 GRIZZLY (sx / left)	07->15	A

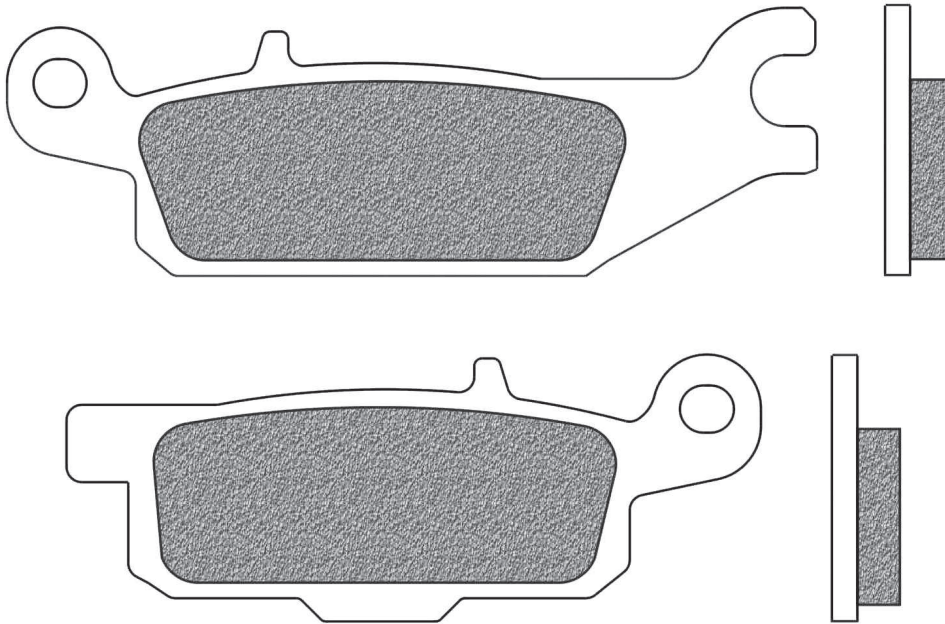
YFM 700 GRIZZLY FI (sx / left)	07->20	A
YFM 700 KODIAK 4WD / EPS (sx / left)	16->20	A

FD0428

SV

D1 (mm): 107x36,5x8,9 (lhxsp.)

D2 (mm): 91,6x36,5x8,9 (lhxsp.)



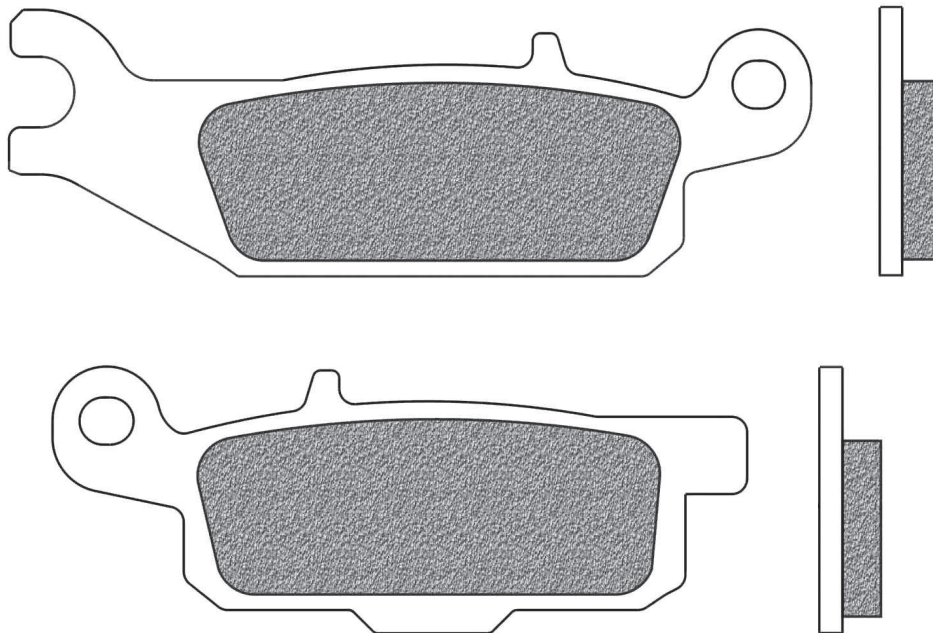
YAMAHA	Year	A/P
YFM 700 GRIZZLY (sx / left)	07->15	P
YFM 700 GRIZZLY FI (sx / left)	07->20	P

FD0429

SV

D1 (mm): 107x36,5x7,8 (lhxsp.)

D2 (mm): 91,6x36,5x7,8 (lhxsp.)



YAMAHA	Year	A/P
YFM 250 RX/RX Raptor	08->09	A
YFM 700 GRIZZLY (dx / right)	07->15	A

YFM 700 GRIZZLY FI (dx / right)	07->20	A
YFM 700 KODIAK 4WD / EPS (dx / right)	16->20	A

FIGURATO PASTIGLIE CON APPLICAZIONI | BRAKE PADS DRAWINGS AND APPLICATIONS | DESSINS PLAQUETTES AVEC APPLICATIONS |
 DISEÑOS PASTILLAS CON RELACION | ZEICHNUNGEN VON BREMSBELÄGE MIT VERWENDUNGSLISTE

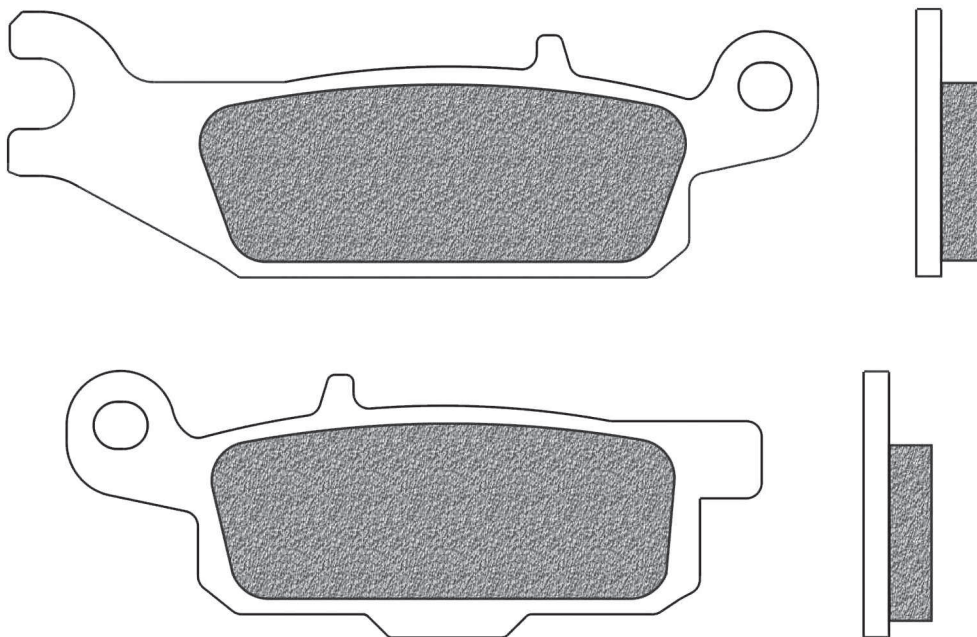


FD0430

SV

D1 (mm): 107x36,5x8,9 (lhxsp.)

D2 (mm): 91,6x36,5x8,9 (lhxsp.)



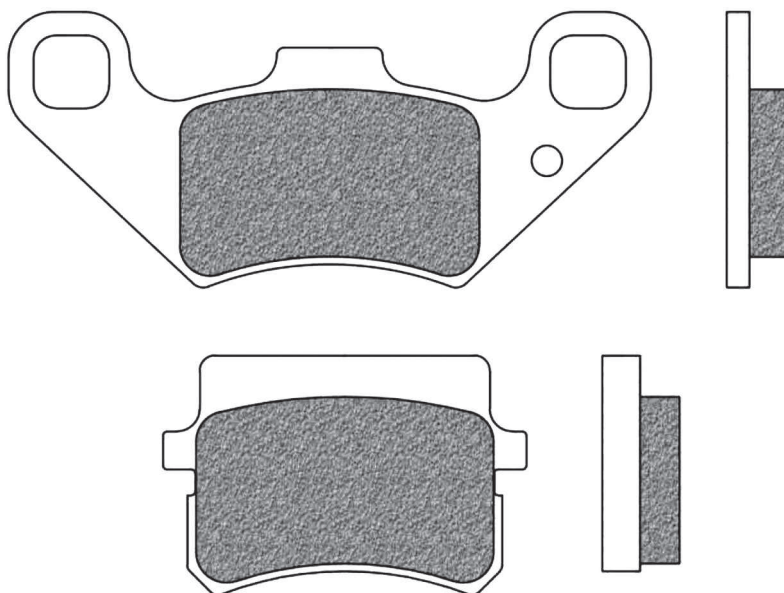
YAMAHA	Year	A/P
YFM 700 GRIZZLY (dx / right)	07->15	P
YFM 700 GRIZZLY FI (dx / right)	07->20	P

FD0433

BA

D1 (mm): 85x37x7,9 (lhxsp.)

D2 (mm): 48x32x10,2 (lhxsp.)



PGO	Year	A/P
50 BUGDRIDER	06	A
BR 150 BUXTER	05->	A
BR 150 E BUGDRIDER	04->07	A
BR 200 BUGDRIDER	07	A
BR 200 BUXTER	05->	A
BR 250 BUXTER	05->	A
BR 250 E BUGDRIDER	05->07	A

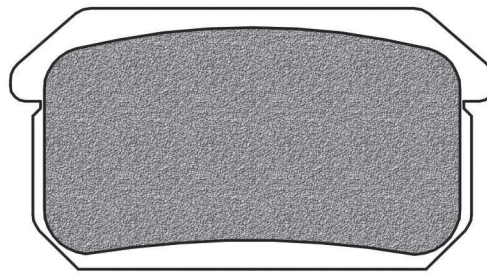
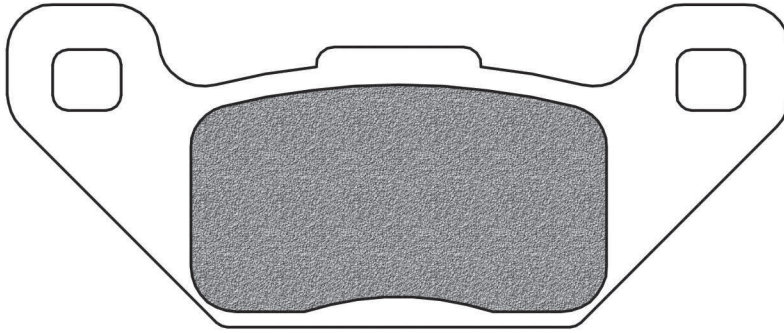
QUADZILLA	Year	A/P
XRV 250 E	06->07	A
XRV 250 OFF ROAD	06->07	A

FD0434

SV

D1 (mm): 103,5x42,5x9 (lhxsp.)

D2 (mm): 63x34,5x11 (lhxsp.)



ADLY	Year	A/P
SPORT 300	07->	P

CPI	Year	A/P
XS 250 POWER QUAD	06->	P

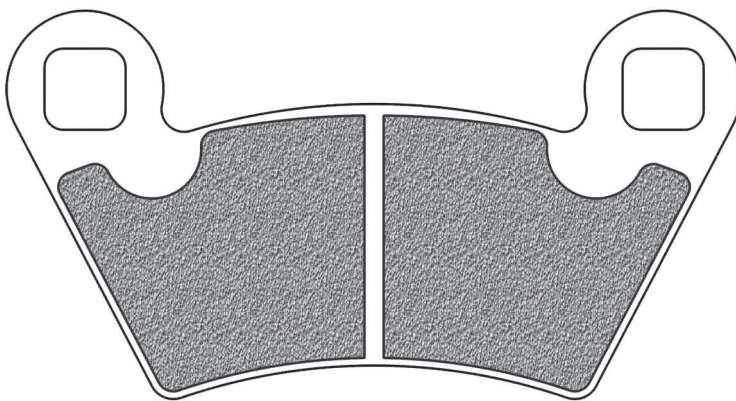
PGO	Year	A/P
BR 200 BUGDRIDER	07	P
BR 200 BUXTER	05->	P
BR 250 BUXTER	05->	P
BR 250 E BUGDRIDER	05->07	P

QUADZILLA	Year	A/P
XRV 250 E	06->07	P
XRV 250 OFF ROAD	06->07	P

FD0435

BV | SV

D1 (mm): 97,1x51,2x7,4 (lhxsp.)



POLARIS	Year	A/P
RANGER 1 ELECTRIC	10->17	P
RANGER 1 EV	15	P
RANGER 11 2 (series 11)	90->12	P
RANGER 2X4, 4X6 2 (series 10)	90->12	P
RANGER 325 ETX	15	A / P
SPORTSMAN 325 ACE EFI / EURO / HD	15	P
SPORTSMAN ACE 325 EFI / EURO / HD / MD / EPS	15->18	P
RANGER 400 4x4	10->14	A / P

ACE 500	17->19	A
RANGER 500 2x4 (carb)	08->09	P
RANGER 500 2x4 / 4x4	06->07	A / P
RANGER 500 4x4 EFI	06->07	A / P
RANGER 500 EFI	10->20	A / P
RANGER 500 EFI CREW MIDSIZE	13->14	P
SPORTSMAN 500 H.O. TOURING	10->12	P
SPORTSMAN ACE 500	17	A
ACE 570 EPS	16->19	P

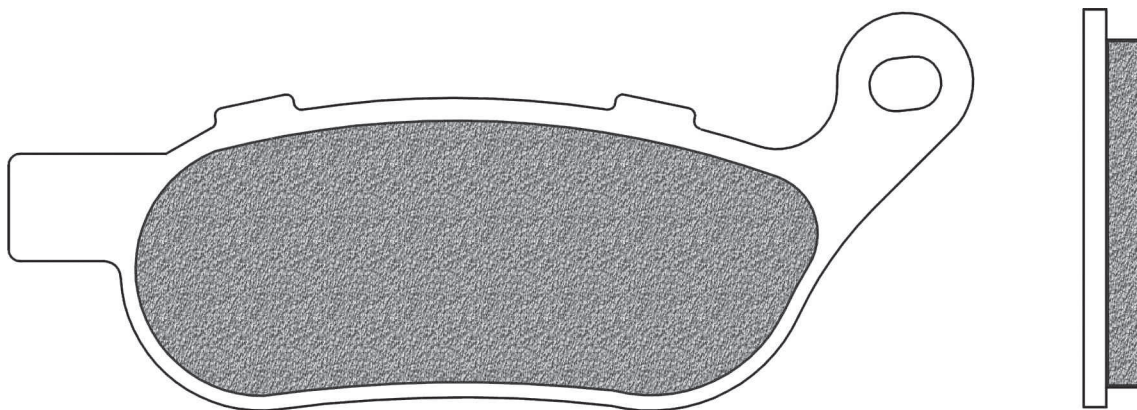
RANGER 570	15->20	A / P
RANGER 570 CREW EFI	14->20	P
RANGER 570 CREW FULL SIZE EPS	15->20	P
RANGER 570 FULL SIZE	18->20	P
SPORTSMAN 570 6x6 / 6x6 TRACTOR	18->19	A
SPORTSMAN 570 6x6 / 6x6 TRACTOR (MIDDLE BRAKE)	18->19	A
SPORTSMAN 570 ACE EFI / EURO	15->18	P
SPORTSMAN 570 EFI X2 EPS	15->19	A
SPORTSMAN ACE 570	14->16	P
RANGER 700 4x4 EFI	09	P
RANGER 700 6x6 EFI	08	A / P
RANGER XP 700 4x4	08	P
RANGER 800 4x4 EFI	10->13	P
RANGER 800 EFI MIDSIZE	13->14	A / P
RANGER XP 800	12	P
RZR 4 800 EFI / EPS	10->14	P
ACE 900 EPS XC	17->19	P
BRUTUS 900 HD	15->18	P
RANGER DIESEL 900	12->15	P
RANGER XP 900	13->14	P
RZR 4 900	15->18	P
RZR XP 900 (2 seat)	11->14	P
RANGER 1000 DIESEL/EU	15->18	P

FIGURATO PASTIGLIE CON APPLICAZIONI | BRAKE PADS DRAWINGS AND APPLICATIONS | DESSINS PLAQUETTES AVEC APPLICATIONS |
 DISEÑOS PASTILLAS CON RELACION | ZEICHNUNGEN VON BREMSBELÄGE MIT VERWENDUNGSLISTE



FD0436
SH

D1 (mm): 127,6x52,6x7,4 (lxhxsp.)

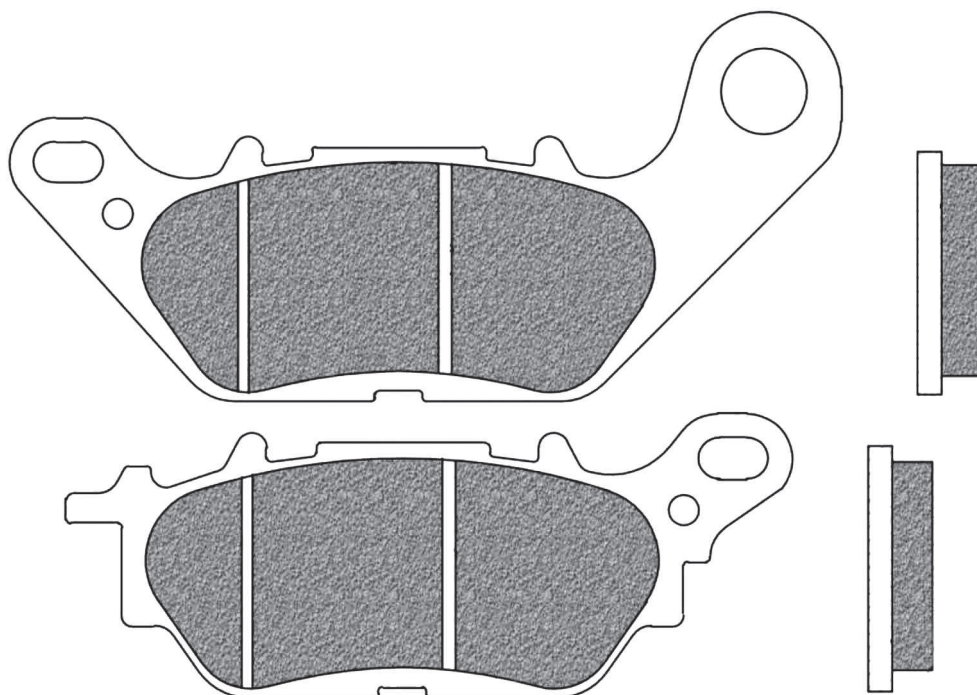


HARLEY DAVIDSON			Year	A/P						
FLD 1584 SWITCHBACK	15	P			FXDC 1584 DYNA SUPER GLIDE CUSTOM 110TH ANN 13	P	FXDB 1690 DYNA STREET BOB	13->17	P	
FLS 1584 SOFTAIL SLIM	15	P			FXDF 1584 DYNA FAT BOB	08->12	P	FXDC 1690 SUPER GLIDE CUSTOM	14	P
FLSTB 1584 SOFTAIL CROSS BONES	09->11	P			FXDL 1584 DYNA LOW RIDER	08->15	P	FXDF 1690 DYNA FAT BOB	13->17	P
FLSTC 1584 HERITAGE SOFTAIL CLASSIC	08->11	P			FXDWG 1584 DYNA WIDE GLIDE	08->12	P	FXDL 1690 LOW RIDER	15->17	P
FLSTF 1584 FAT BOY	15	P			FXS 1584 BLACKLINE	12->13	P	FXDWG 1690 DYNA WIDE GLIDE	13->17	P
FLSTF 1584 FAT BOY/LO	08->11	P			FXSB 1584 BREAKOUT	15	P	FXSB 1690 BREAKOUT	13->17	P
FLSTFB 1584 FAT BOY LO	15	P			FXSTB 1584 NIGHT TRAIN	08->09	P	FLSS 1800 SOFTAIL SLIM S	16->17	P
FLSTN 1584 SOFTAIL DELUXE	08->11	P			FXSTC 1584 SOFTAIL CUSTOM	08->09	P	FLSTFBS 1800 FAT BOY S	16->17	P
FLSTN 1584 SOTAIL DELUXE	15	P			FLD 1690 SWITCHBACK	12->16	P	FXDLS 1800 LOW RIDER S	16->17	P
FLSTSF 1584 SOTAIL FAT BOY SPECIAL	10->11	P			FLS 1690 SOFTAIL SLIM	13->17	P	FXSBSE 1800 CVO BREAKOUT	13	P
FXCW 1584 ROCKER	08->09	P			FLSTC 1690 HERITAGE SOFTAIL CLASSIC	15->17	P	FXLRS 1868 LOW RIDER S	20	P
FXCWC 1584 ROCKER C	08->11	P			FLSTC 1690 HERITAGE SOFTAIL CLASSIC /110TH ANN.	13->14	P			
FXD 1584 DYNA SUPER GLIDE	08->09	P			FLSTF 1690 FAT BOY	12->17	P			
FXDB 1584 DYNA STREET BOB	08->13	P			FLSTFB 1690 FAT BOY LO	15->16	P			
FXDC 1584 DYNA SUPER GLIDE CUSTOM	08->12	P			FLSTFB 1690 FAT BOY SPECIAL/LO	12->13	P			
					FLSTN 1690 SOFTAIL DELUXE	12->16	P			

FD0437
BA | BT

D1 (mm): 109,8x51,5x8,4 (lxhxsp.)

D2 (mm): 95,8x36,9x8,4 (lxhxsp.)

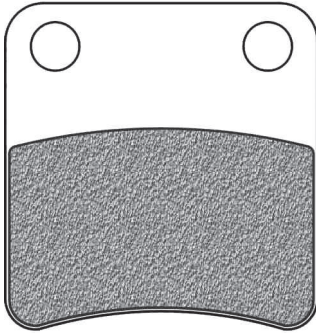


YAMAHA			Year	A/P						
D'ELIGHT 115 XC S	14->	A			VITY 125 XC	08->13	A	CRYPTON 135 X	06->13	A
N-MAX 125 GPD-A	15->19	P			YBR 125	06->12	A	TRICITY 150 MWS-A	16->20	P
TRICITY 125 MWS	17->19	P			YBR 125 ED	07->12	A	N-MAX 155 GPD-A (150CC)	17->19	P
					YS 125	17->19	A	TRICITY 300	20	P

FD0439

BA

D1 (mm): 41x43x5,5 (lxhxsp.)



SW-T 400 ABS	09->
SILVER WING 600 FSC	01->07
SILVER WING 600 FSC ABS	03->08
SW-T 600	11->18
DN-01 680	08->11
CTX 700 D ABS (w/DTC)	13->15
CTX 700 ND ABS (w/DTC)	14->15
NC 700 D INTEGRA	12->13
NC 700 SD ABS (w/DTC)	12->13
NC 700 XD ABS (w/DTC)	12->13
NC 750 D INTEGRA (w/DTC)	14->19
NC 750 S (w/DTC)	14->18
NC 750 X (w/DTC)	14->19
NM4 750 VULTUS ABS (w/DTC)	15->18
X-ADV 750	17->19
CRF 1000 L AFRICA TWIN	16->19
CRF 1000 L AFRICA TWIN ADVENTURE SPORTS	18->19
CRF 1100 L AFRICA TWIN	20
CRF 1100 L AFRICA TWIN ADVENTURE SPORTS	20
VFR 1200 F (w/DCT)	10->19
VFR 1200 XDC CROSSTOURER (w/DCT)	12->19

BEVERLY 250 EURO 3 IE	06->08
BEVERLY 250 SPORT	06->08
MP3 250	06->08
MP3 250 LT	08->09
MP3 250 MIC	08->09
X EVO 250 EVO	07->13
X7 250 EURO 3	08->
X9 250	00->03
X9 250 AMALFI	00->
X9 250 EVOLUTION	04->06
BEVERLY 300 TOURER EURO 3	09->10
CARNABY 300 CRUISER	09->
MP3 300 IE MIC	10->11
MP3 300 IE TOURING	11->12
MP3 300 LT BUSINESS ABS	14
MP3 300 SPORT ABS	14
MP3 300 YOURBAN ERL	11->15
MP3 300 YOURBAN LT ERL	11->12
VESPA 300 GTS SUPER	08->
X10 350 4T 4V IE	12->
MP3 400	07->08
MP3 400 IE LT - IE LT SPORT	08->10
MP3 400 IE LT TOURING	11
MP3 400 LT	09->
MP3 400 MIC	08->10
MP3 400 RL TOURING	11
X EVO 400 EURO 3	07->11
X8 400 EURO 3	06->08
MP3 500 LT BUSINESS ABS	14->
MP3 500 LT SPORT - BUSINESS	11->13
MP3 500 RL SPORT - BUSINESS	11->12
MP3 500 SPORT ABS	14->
X10 500 4T 4V IE	12->

APRILIA	Year	A/P
NA 850 MANA GT	09->16	
SRV 850	12->19	

BMW	Year	A/P
C 1 EVOLUTION (ELECTRIC)	12->	
C 600 SPORT	12->15	
C 650 GT	12->20	
C 650 SPORT	16->20	

GILERA	Year	A/P
GP 800	08->	

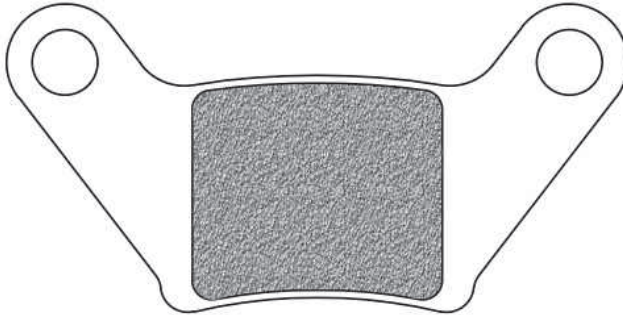
HONDA	Year	A/P
SILVER WING 400 FJS	06->08	
SW-T 400	09->	

PIAGGIO	Year	A/P
LIBERTY 125	98->02	
LIBERTY 125 4T	06->07	
LIBERTY 125 4TS PORT EURO3	06->08	
LIBERTY 125 RST	04->05	
LIBERTY 125 RST PTT	05->11	
MP3 125	06->08	
MP3 125 IBRIDO	09->12	
MP3 125 IE	08->09	
MP3 125 IE TOURING	11->12	
MP3 125 YOURBAN ERL	11->13	
BEVERLY 250	06->07	

FD0440

B4W

D1 (mm): 82x42x7 (lxhxsp.)



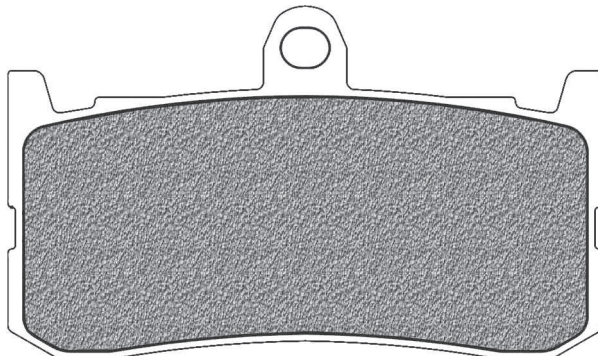
MINICAR	Year	A/P
CASALINI IDEA diesel 500 (pinza Comex)	00->	P
PIAGGIO M 500	06->08	P

PIAGGIO	Year	A/P
M 500 (vettoretta)	06->08	P

FD0441

SP

D1 (mm): 78,5x46,2x7,5 (lxhxsp.)

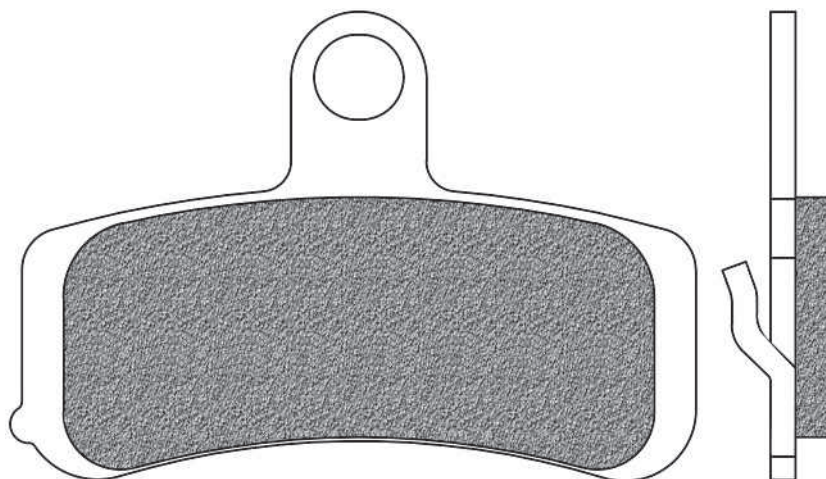


TRIUMPH	Year	A/P
DAYTONA TRIPLE 675	09->18	A



FD0443
SH

D1 (mm): 89x62x8 (lxhxsp.)

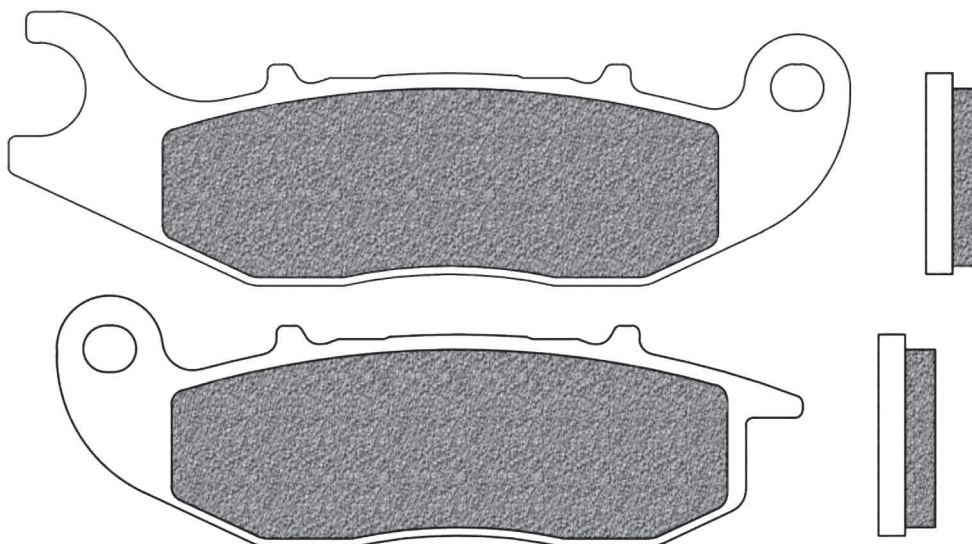


HARLEY DAVIDSON			Year	A/P						
FLSTC 1584 HERITAGE SOFTAIL CLASSIC	08->11	A			FXDL 1584 DYNA LOW RIDER	08->15	A	FXDC 1690 SUPER GLIDE CUSTOM	14	A
FLSTF 1584 FAT BOY/LO	08->11	A			FXDWG 1584 DYNA WIDE GLIDE	08->12	A	FXDF 1690 DYNA FAT BOB	13->17	A
FLSTN 1584 SOFTAIL DELUXE	08->11	A			FXS 1584 BLACKLINE	12->13	A	FXDL 1690 LOW RIDER	15->17	A
FLSTSF 1584 SOFTAIL FAT BOY SPECIAL	10->11	A			FXSTB 1584 NIGHT TRAIN	08->09	A	FXDWG 1690 DYNA WIDE GLIDE	13->17	A
FXCW 1584 ROCKER	08->09	A			FXSTC 1584 SOFTAIL CUSTOM	08->09	A	FXSB 1690 BREAKOUT	13->14	A
FXCWC 1584 ROCKER C	08->11	A			FLD 1690 SWITCHBACK	12->16	A	FXDLS 1800 LOW RIDER S	16->17	A
FXD 1584 DYNA SUPER GLIDE	08->09	A			FLS 1690 SOFTAIL SLIM	13->14	A	FXSBSE 1800 CVO BREAKOUT	13	A
FXDB 1584 DYNA STREET BOB	08->13	A			FLSTC 1690 HERITAGE SOFTAIL CLASSIC /110TH ANN.	13->14	A			
FXDC 1584 DYNA SUPER GLIDE CUSTOM	08->12	A			FLSTF 1690 FAT BOY	12->14	A			
FXDC 1584 DYNA SUPER GLIDE CUSTOM 110TH ANN	13	A			FLSTFB 1690 FAT BOY SPECIAL/LO	12->13	A			
FXDF 1584 DYNA FAT BOB	08->12	A			FLSTN 1690 SOFTAIL DELUXE	12->14	A			
					FXDB 1690 DYNA STREET BOB	13->17	A			

FD0444
BA | BE | BT

D1 (mm): 111,4x36,3x7,6 (lxhxsp.)

D2 (mm): 98,8x33,3x7,6 (lxhxsp.)



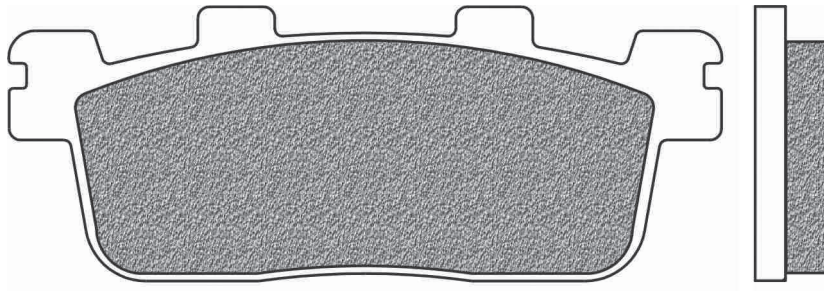
DERBI			Year	A/P						
TERRA 125	07->08	A			CRF 250 LD	13->15	A	LIBERTY 125 IGET 4T 3V IE	15->18	A
TERRA 125 ADVENTURE	08->	A			CRF 250 ME SUPERMOTO	14->15	A	MEDLEY 125 4T IE ABS	16->17	A
								LIBERTY 150 IGET 4T 3V IE	15->18	A
								MEDLEY 150 4T IE ABS	16->17	A

PIAGGIO			Year	A/P						
LIBERTY 50 IGET 4T 3V	16	A								
LIBERTY 50 IGET 4T 3V IE	15->17	A								

FD0445

BA | BE

D1 (mm): 94,1x36,2x10 (lhxh x sp.)



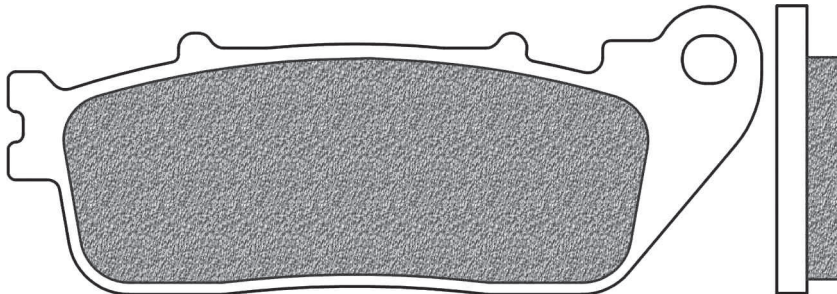
KYMCO	Year	A/P
DOWNTOWN 125	16->	P
G-DINK 125	12->	P
K-XCT 125 I	14->	P
NEW G-DINK 125	12->14	P
PEOPLE 125 EURO 3	07->	P
PEOPLE GTI 125	10->14	P
PEOPLE S 125 I	17->18	P
PEOPLE S 125 DD	07->08	P
X-TOWN 125	16->17	P
PEOPLE GTI 200	10->14	P
PEOPLE S 200 I	07->	P
PEOPLE S 250	06->	P
PEOPLE S 250 i	07->	P
XCITING 250	05	P
XCITING 250 i	06->	P
G-DINK 300	12->	P
K-XCT 300 I ABS	12->14	P
PEOPLE GTI 300	10->13	P
PEOPLE S 300 I	08->10	P
X-TOWN 300	16->17	P
XCITING 300 I	08->	P
XCITING 300 I R	08->09	P
DOWNTOWN 350	15->16	P

YAMAHA	Year	A/P
X-MAX R 400 YP	13->16	P
X-MAX R 400 YP MOMODESIGN	14	P
X-MAX RA 400 YP ABS	14->17	P
X-MAX RA 400 YP ABS MOMODESIGN	14	P

FD0446

BT | TS

D1 (mm): 99,5x38x9 (lhxh x sp.)

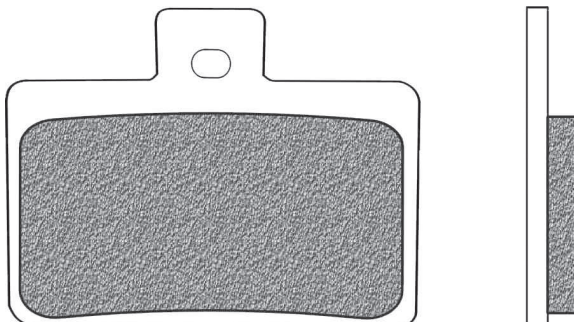


HONDA	Year	A/P
CROSSRUNNER 800 VFR	11->14	P
CROSSRUNNER 800 VFR X	15->18	P
VFR 800 F	14->19	P
CB 1000 R	08->20	P
CB 1000 R ABS	08->16	P
CB 1000 R+	18->	P
VFR 1200 F	10->19	P

FD0449

TS

D1 (mm): 55,5x41,4x7 (lhxh x sp.)



METRAKIT	Year	A/P
XL 08 80	08->	A

FIGURATO PASTIGLIE CON APPLICAZIONI | BRAKE PADS DRAWINGS AND APPLICATIONS | DESSINS PLAQUETTES AVEC APPLICATIONS
DISEÑOS PASTILLAS CON RELACION | ZEICHNUNGEN VON BREMSBELÄGE MIT VERWENDUNGSLISTE



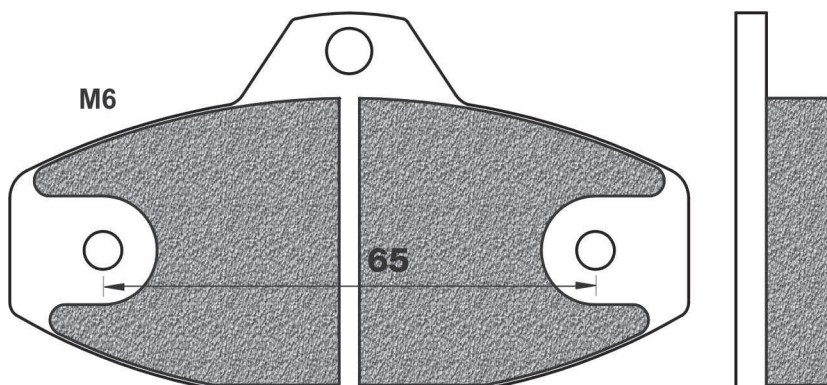
FD0450

D1 (mm): 89,7x49,5x12,8 (lxhxsp.)

K1

K5

K6



INTREPID	Year	A/P
interasse fori 65 mm diametro M6		P

SGUERZONI	Year	A/P
interasse fori 65 mm diametro M6		P

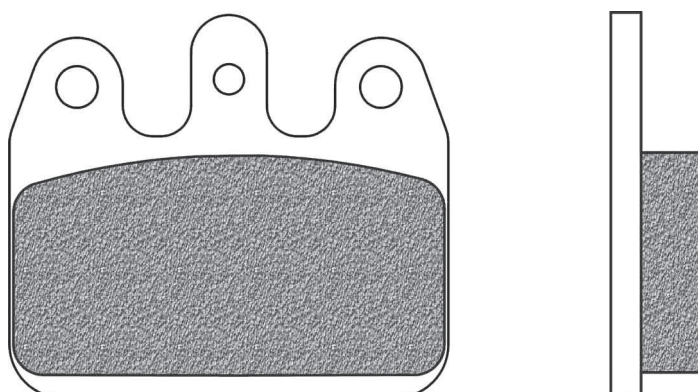
FD0451

D1 (mm): 57,9x50,5x12 (lxhxsp.)

K1

K5

K6



CRG	Year	A/P
VEN 05		P

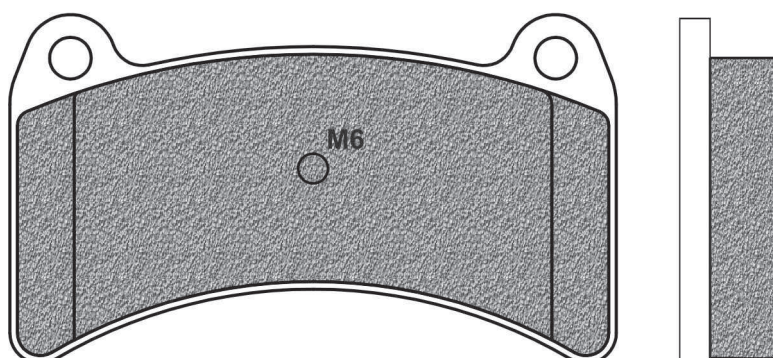
FD0452

D1 (mm): 80x46x13 (lxhxsp.)

K1

K5

K6

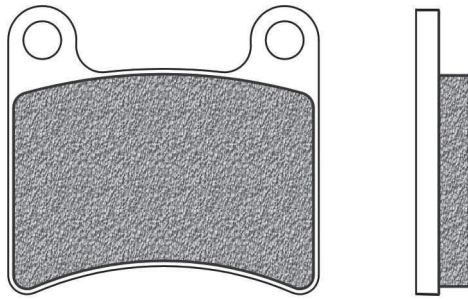


INTREPID	Year	A/P
EVO 3 foro centrato diametro M6		P

FD0453

K1 | K5 | K6

D1 (mm): 41x38x7 (lxhxsp.)

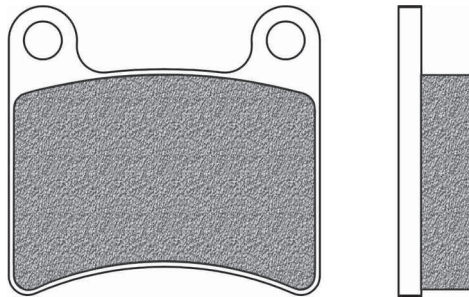


INTREPID	Year	A/P
KF (monomarcia)		A
R1 - 125 th 7		A

FD0454

K1 | K5 | K6

D1 (mm): 41x38x10 (lxhxsp.)

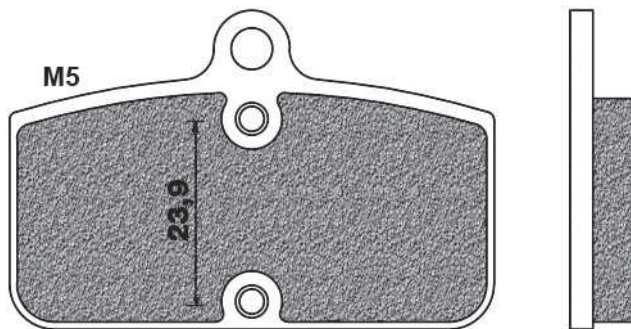


INTREPID	Year	A/P
KZ (con cambio)		A
R2 - 125 th 10		A

FD0455

K1 | K5 | K6

D1 (mm): 64x42x9 (lxhxsp.)

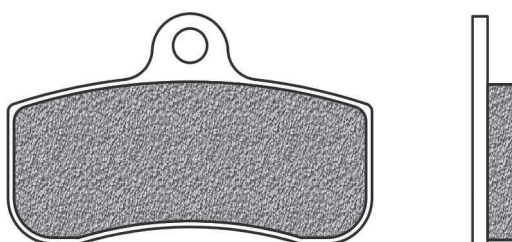


SODI	Year	A/P
interasse fori 23,9 mm diametro M5		P

FD0456

K1 | K5 | K6

D1 (mm): 48x30,2x6 (lxhxsp.)



SODI	Year	A/P
KART		A

FIGURATO PASTIGLIE CON APPLICAZIONI | BRAKE PADS DRAWINGS AND APPLICATIONS | DESSINS PLAQUETTES AVEC APPLICATIONS |
DISEÑOS PASTILLAS CON RELACION | ZEICHNUNGEN VON BREMSBELÄGE MIT VERWENDUNGSLISTE

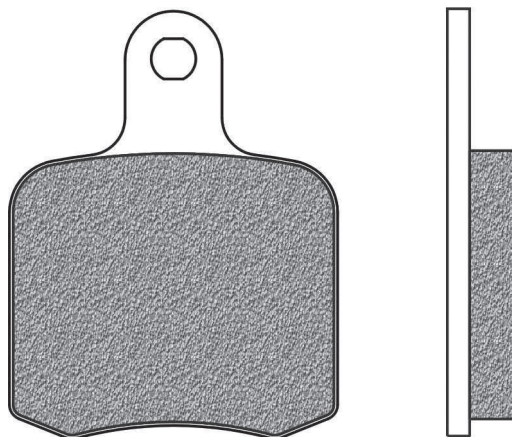
FD0457

D1 (mm): 44x57,4x9 (lhxsp.)

K1

K5

K6



TONY KART

KART th 9

Year

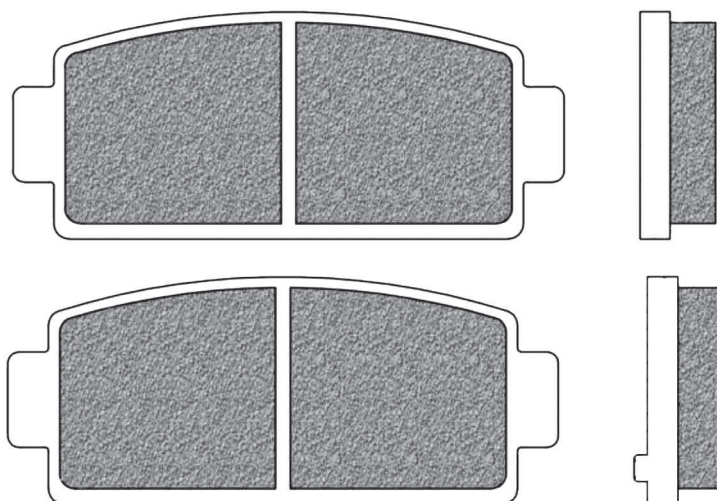
A/P

A / P

FD0458 (4 pz.)

D1 (mm): 72,8x30x10 (lhxsp.)

B4W



MINICAR

MICROCAR 505 M.GO motore Lombardini
MICROCAR 523 M.GO motore Yanmar

Year

A/P

10->

P

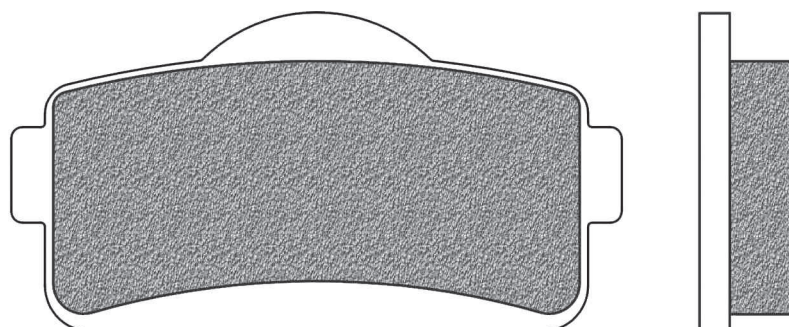
09->10

P

FD0459 (4 pz.)

D1 (mm): 80,7x42x12,5 (lhxsp.)

B4W



MINICAR

MICROCAR 505 M.GO motore Lombardini
MICROCAR 523 M.GO motore Yanmar

Year

A/P

10->

A

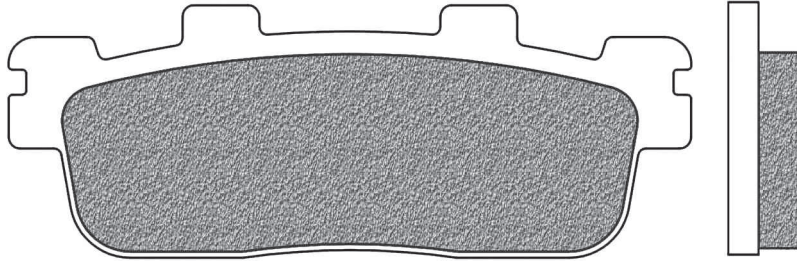
09->10

A

FD0460

BA | BE

D1 (mm): 90,1x33,3x9,8 (lxhxsp.)



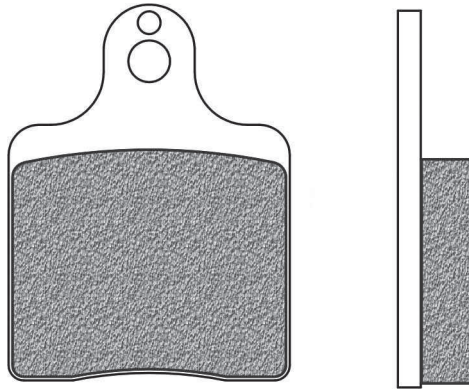
KYMCO	Year	A/P
DOWNTOWN 125 I	09->15	P
NEW DOWNTOWN 125	16->17	P
SUPER DINK 125	10->15	P
X-TOWN 125 CT	20	P
DOWNTOWN 200 I	10->15	P
DOWNTOWN 300 ABS	10->11	P
DOWNTOWN 300 I	09->11	P
DOWNTOWN 300 I ABS	10->11	P
PEOPLE GTI 300 ABS	12->15	P
PEOPLE S 300	20	P
X-TOWN 300 CT	20	P
NEW DOWNTOWN 350	16->17	P

KAWASAKI	Year	A/P	J 300	14->18	P
J 125	16->19	P			

FD0461

K1 | K5 | K6

D1 (mm): 37,1x49,7x9,9 (lxhxsp.)

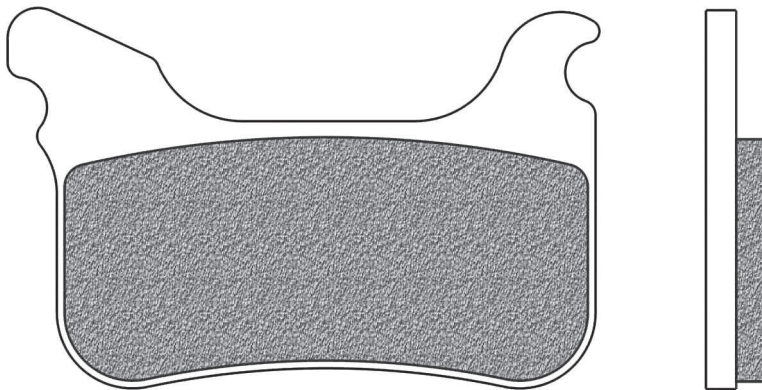


INTREPID	Year	A/P
EVO 3		A

FD0462

TS

D1 (mm): 77,5x50x8,1 (lxhxsp.)



APRILIA	Year	A/P
SXV 450	05->	A
SXV 550	06->	A
PEGASO 660 FACTORY	07->09	A

FTE	Year	A/P
RADIALE		A

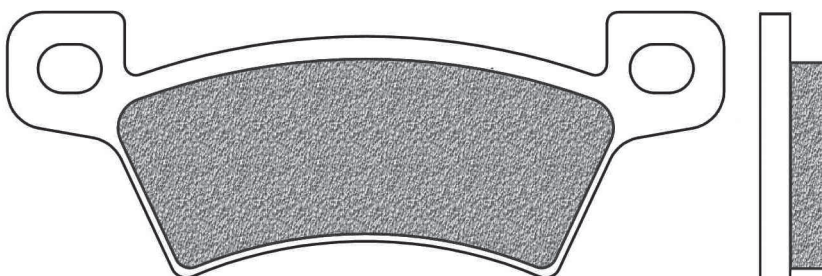
HUSABERG	Year	A/P
FS 450 C	06->08	A
FS 650 E - C	06->08	A

KTM	Year	A/P
SMR 450 (FTE caliper)	04->06	A
SX 525 SMR (FTE Caliper)	04->	A

FD0463

B4W

D1 (mm): 94,7x35x9 (lxhxsp.)



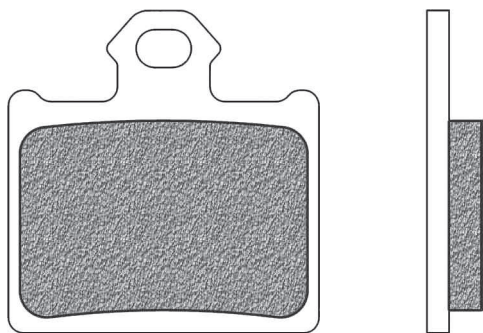
MINICAR	Year	A/P
MICROCAR 500 MC2	09->	P

FIGURATO PASTIGLIE CON APPLICAZIONI | BRAKE PADS DRAWINGS AND APPLICATIONS | DESSINS PLAQUETTES AVEC APPLICATIONS |
DISEÑOS PASTILLAS CON RELACION | ZEICHNUNGEN VON BREMSBELÄGE MIT VERWENDUNGSLISTE



FD0464
SD

D1 (mm): 41x42,5x7,5 (lhxsp.)



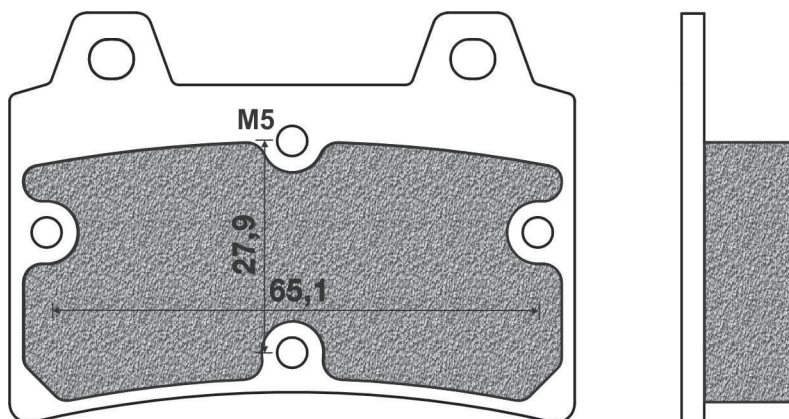
HUSQVARNA	Year	A/P
CR 65	12->14	P
TC 85	14->20	P

KTM	Year	A/P
FREERIDE 1 E-SM (E-RIDE)	15->16	P
FREERIDE 1 E-XC (E-RIDE)	18->20	P
SX 85	11->20	P
SXS 85	12->15	P
SX 105	11	P
FREERIDE 250 F	18->20	P
FREERIDE 250 R (2T)	14->17	P
FREERIDE 350 R	12->17	P

OHVALE	Year	A/P
GP-O 110 4 SPEED	17->19	P
GP-O 110 AUTOMATIC	17->19	P
GP-O 160 4 SPEED	17->19	P
GP-O 190 DAYTONA	17->19	P

FD0465
K1
K5
K6

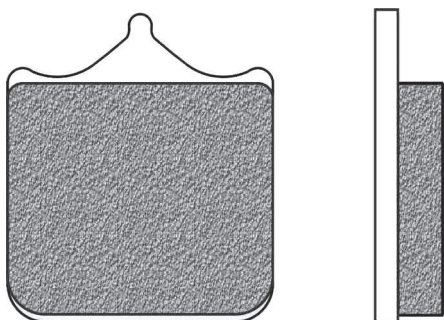
D1 (mm): 74,9x54x15 (lhxsp.)



ARROW	Year	A/P
interasse fori 65,1/27,9mm diam M5 th 15		P

FD0466
R01
SP
TS

D1 (mm): 35x40,5x9 (lhxsp.)



BENELLI	Year	A/P
TRE-K 1130 AMAZONAS	13->16	A

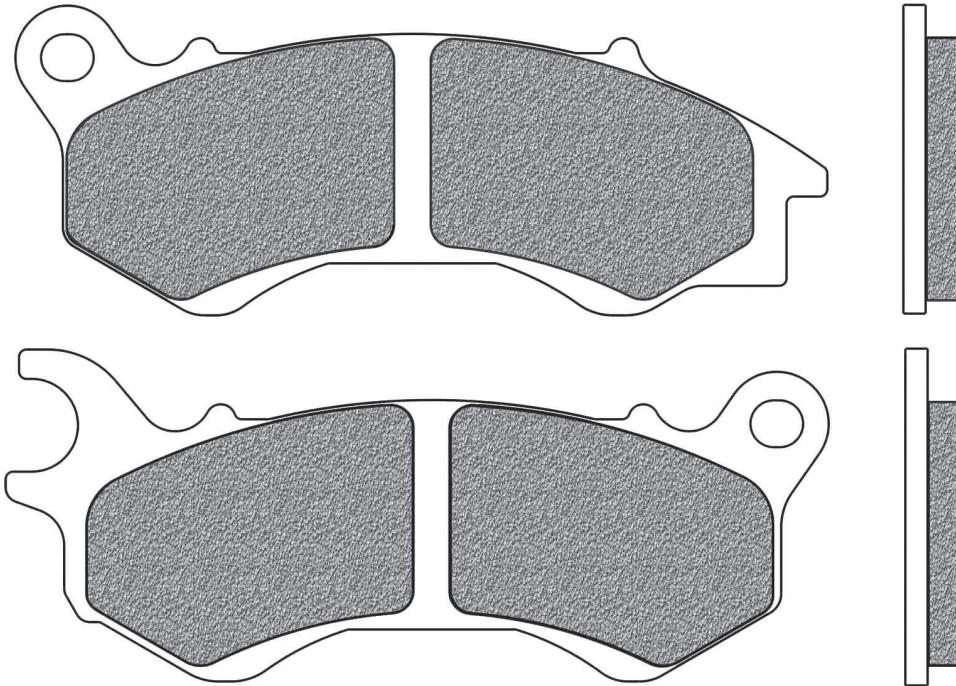
BMW	Year	A/P
S 1000 R	13->19	A
S 1000 RR	09->18	A

FD0467

BA | BE

D1 (mm): 109,5x42x8 (lxhxsp.)

D2 (mm): 111x45x8



FIGURATO PASTIGLIE CON APPLICAZIONI | BRAKE PADS DRAWINGS AND APPLICATIONS | DESSINS PLAQUETTES AVEC APPLICATIONS |
DISEÑOS PASTILLAS CON RELACION | ZEICHNUNGEN VON BREMSBELÄGE MIT VERWENDUNGSLISTE

HONDA	Year	A/P
VISION 50 NSC	10->18	A
VISION 110	10->16	A
PCX 125	09->17	A
PCX 150	09->17	A

KYMCO	Year	A/P
AGILITY PLUS 125 E4	16	A
PEOPLE ONE 125 I DD	15	A
PEOPLE ONE 125 I E4	16->17	A
PEOPLE ONE 150 I E4	16->17	A

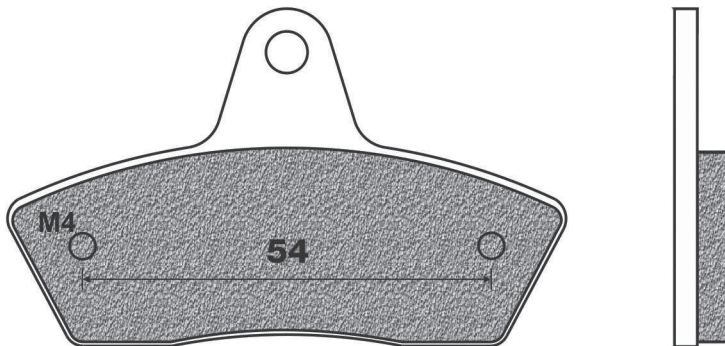
PEUGEOT	Year	A/P
DJANGO 50 ALLURE	14->	A
DJANGO 50 EVASION	14->	A
DJANGO 50 SPORT	14->	A
DJANGO 125 ALLURE	14->	A
DJANGO 125 EVASION	14->	A
DJANGO 125 SPORT	14->	A
DJANGO 150 ALLURE	14->	A
DJANGO 150 EVASION	14->	A
DJANGO 150 SPORT	14->	A

SWM	Year	A/P
ACE OF SPADES 125	19->20	A
OUTLAW 125 GRAN MILANO	19->20	A
RS 125 R	16->20	A
SM 125 R	16->20	A
VAREZ 125	20	A

FD0468

K1 | K5 | K6

D1 (mm): 73,8x44,5x7,2 (lxhxsp.)

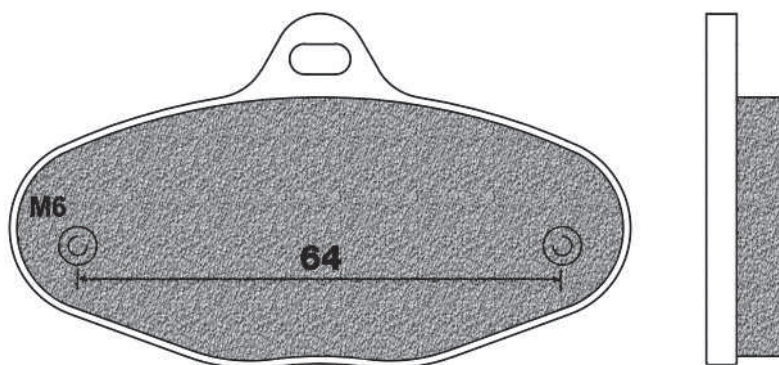


GP RACING	Year	A/P
interasse fori 54 mm diametro M4		P

FD0469

K1 | K5

D1 (mm): 82x46,7x9,8 (lxhxsp.)

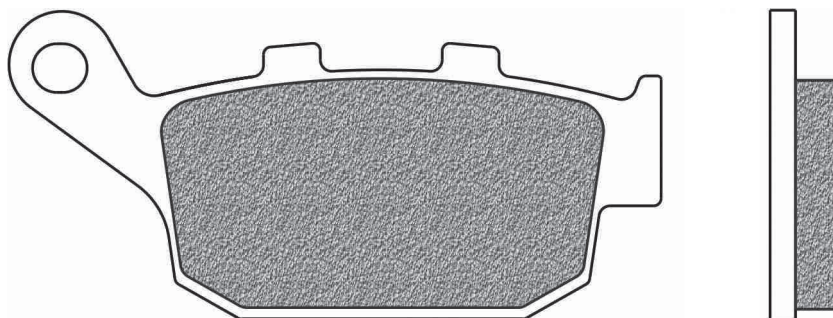


CRG	Year	A/P
VEN 99 interasse fori 64 mm diametro M6		A

FD0470

BT | SE | TS

D1 (mm): 86,5x40,5x8,9 (lxhxsp.)



CTX 700 N	14->18	P
CTX 700 ND ABS (w/DTC)	14->15	P
NC 750 D INTEGRA (w/DTC)	14->19	P
NC 750 S (w/DTC)	14->18	P
NC 750 X (w/DTC)	14->19	P
NM4 750 VULTUS ABS (w/DTC)	15->18	P
X-ADV 750	17->19	P

KAWASAKI	Year	A/P
KLE 650 VERSYS	15->19	P
VN 650 VULCAN S	15->	P
Z 750 R	11->12	P
Z 800	13->16	P
Z 800 ABS	13->16	P
Z 800 E	13->16	P
Z 800 E ABS	13->16	P
Z 800 E ABS SPECIAL EDITION	16	P
Z 800 E SPECIAL EDITION	16	P
Z 900	17->20	P

HONDA	Year	A/P
CBR 250 R (Nissin caliper)	11->13	P
CBR 250 R ABS	11->13	P
CBR 250 RR	17->18	P
CBR 300 F	14->16	P
CBR 300 F ABS	14->17	P
CBR 300 R	14->18	P
CMX 300 REBEL	17	P
CB 500 F	13->20	P

CB 500 X	13->19	P
CBR 500 R	13->20	P
CMX 500 REBEL	17->20	P
CB 650 F	14->19	P
CB 650 R	19	P
CBR 650 F	14->20	P
CBR 650 R	19->	P
CTX 700	14->18	P
CTX 700 D ABS (w/DTC)	13->15	P

SUZUKI	Year	A/P
GW 250 INAZUMA F	15->19	P
SFV 650 GLADIUS	09->16	P
SV 650	16->18	P
SV 650 S	16->18	P
SV 650 X	18->19	P
XF 650 FREEWIND	97->02	P

FD0471

K1 | K5

D1 (mm): 64x28x10 (lxhxsp.)



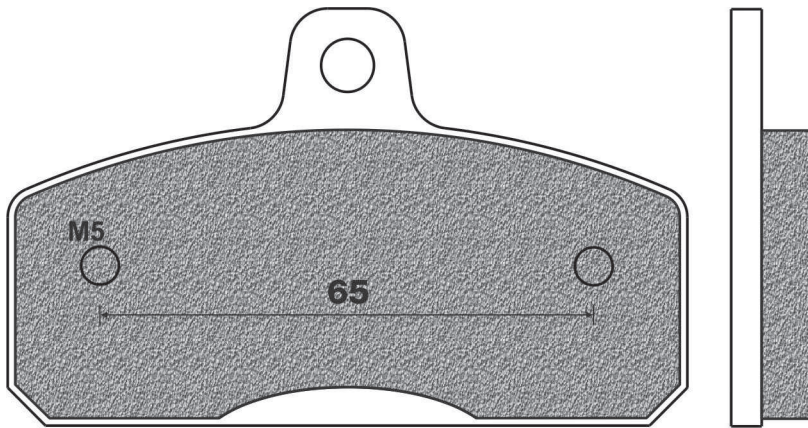
KALI'	Year	A/P
interasse fori 47,5 mm diametro M5		A

FD0472

K1

K5

D1 (mm): 90x55x10,5 (lxhvsp.)



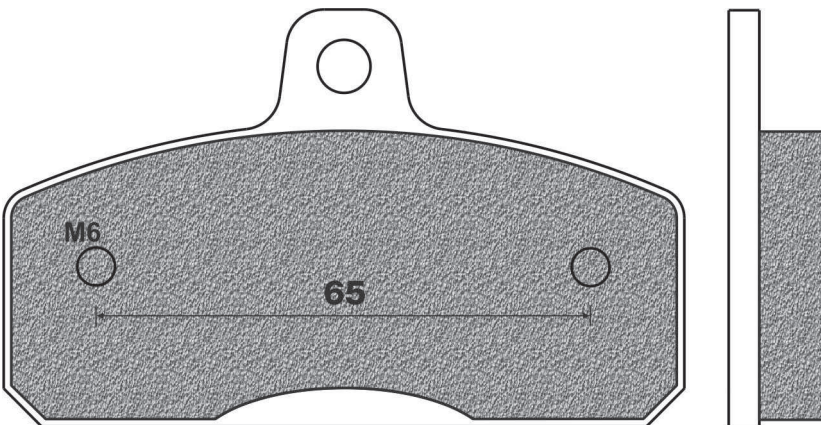
BIREL	Year	A/P
interasse fori 65 mm diametro M5 th 10,5		P

FIGURATO PASTIGLIE CON APPLICAZIONI | BRAKE PADS DRAWINGS AND APPLICATIONS | DESSINS PLAQUETTES AVEC APPLICATIONS |
 DISEÑOS PASTILLAS CON RELACION | ZEICHNUNGEN VON BREMSBELÄGE MIT VERWENDUNGSLISTE

FD0473

K1

D1 (mm): 90x55x13 (lxhvsp.)



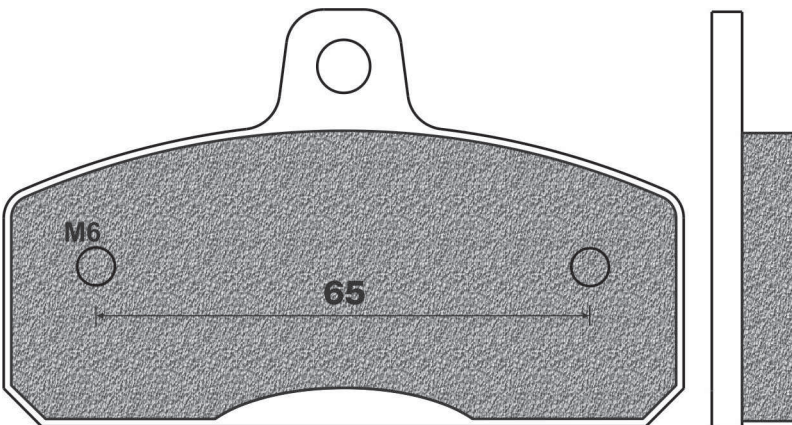
BIREL	Year	A/P
interasse fori 65 mm diametro M6 th 13lb		P

RIGHETTI & RIDOLFI	Year	A/P
interasse fori 65 mm diametro M6		P

FD0474

K1

D1 (mm): 90x55x11,5 (lxhvsp.)

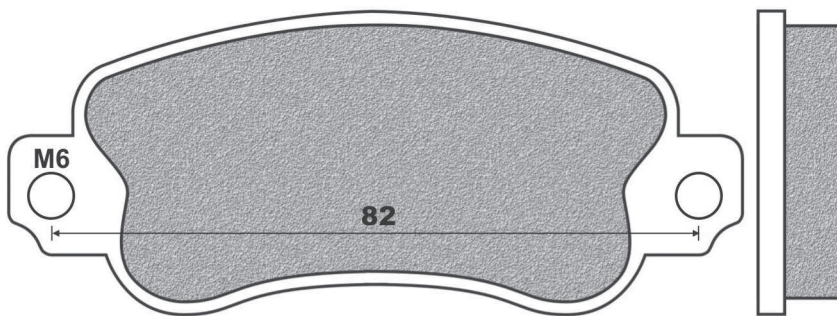


BIREL	Year	A/P
interasse fori 65 mm diametro M6 th 11,5		P

FD0475

K6

D1 (mm): 97,5x40,5x11 (lhxhvsp.)



HEKA KART

interasse fori 82 mm diametro M6 th 11

Year

A/P

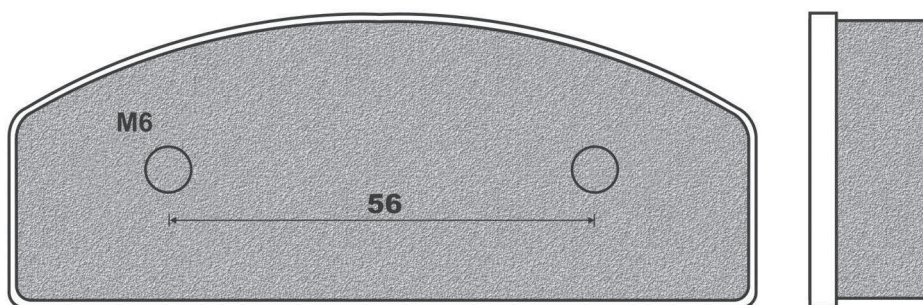
P

FD0476

K1

K6

D1 (mm): 99x39x16 (lhxhvsp.)



ENGLISH KART

Year

A/P

interasse fori 56 mm diametro M6 th 16

P

SWIFT

Year

A/P

interasse fori 56 mm diametro M6 th 16

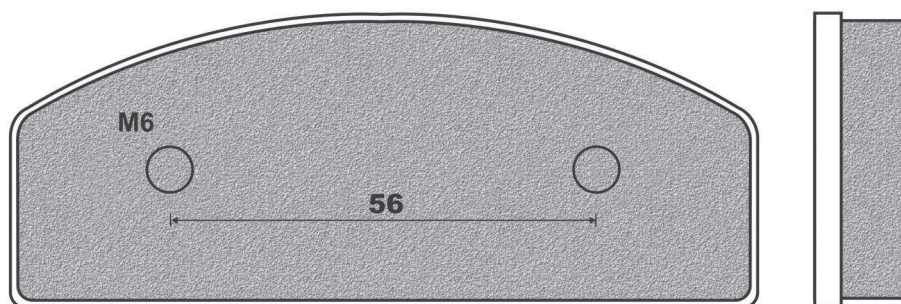
P

FD0477

K1

K6

D1 (mm): 99x39x13 (lhxhvsp.)



ENGLISH KART

Year

A/P

interasse fori 56 mm diametro M6 th 13

P

SWIFT

Year

A/P

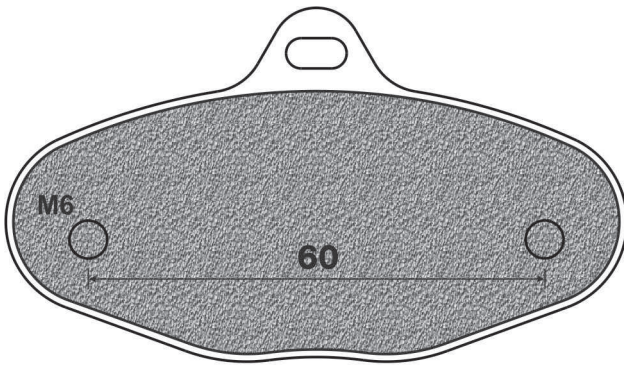
interasse fori 56 mm diametro M6 th 13

P

FD0478

K1 | K5

D1 (mm): 82x46,7x10 (lxhvsp.)



GP RACING

Year	A/P
	A

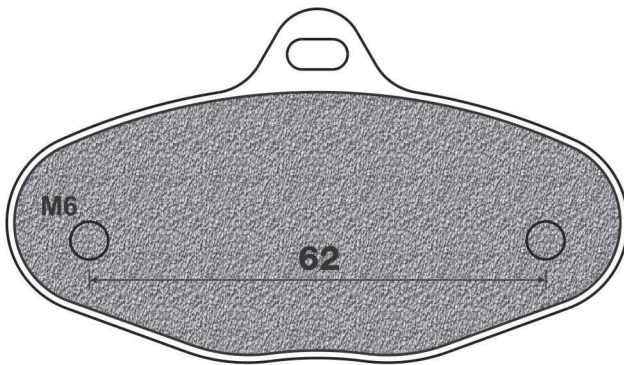
interasse fori 60 mm diametro M6

FIGURATO PASTIGLIE CON APPLICAZIONI | BRAKE PADS DRAWINGS AND APPLICATIONS | DESSINS PLAQUETTES AVEC APPLICATIONS |
 DISEÑOS PASTILLAS CON RELACION | ZEICHNUNGEN VON BREMSBELÄGE MIT VERWENDUNGSLISTE

FD0479

K1 | K5

D1 (mm): 82x46,7x10 (lxhvsp.)



RED BARON

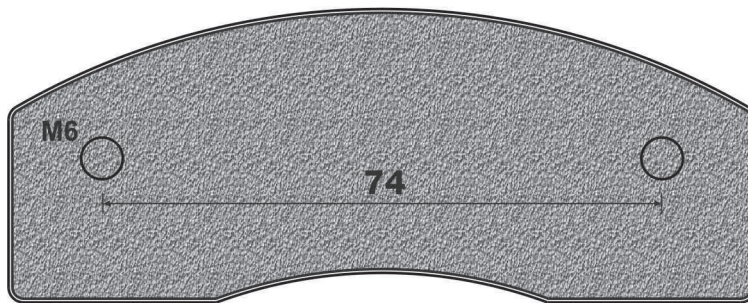
Year	A/P
	A

interasse fori 62 mm diametro M6

FD0480

K1 | K5

D1 (mm): 98,7x38,7x12 (lxhvsp.)



PCR

interasse fori 74 mm diametro M6 th 12

Year	A/P
	P

TOP KART

interasse fori 74 mm diametro M6 th 12

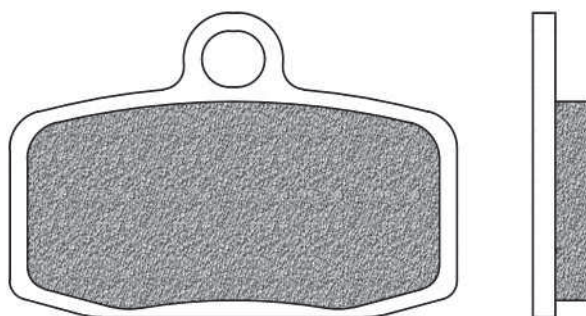
Year	A/P
	P



FD0481

BD | SD

D1 (mm): 59x40,2x7,5 (lxxhxp.)



GAS GAS	Year	A/P
TXT 125 (Formula caliper)	12->13	A

HUSQVARNA	Year	A/P
TC 85	14->20	A

KTM	Year	A/P
FREERIDE 1 E-SM (E-RIDE)	15->16	A
FREERIDE 1 E-XC (E-RIDE)	18->20	A

SX 85	12->20	A
SXS 85	12->15	A
FREERIDE 250 F	18->20	A
FREERIDE 250 R (2T)	14->17	A
FREERIDE 350 R	12->17	A

OHVALE	Year	A/P
GP-O 110 4 SPEED	17->19	A
GP-O 110 AUTOMATIC	17->19	A

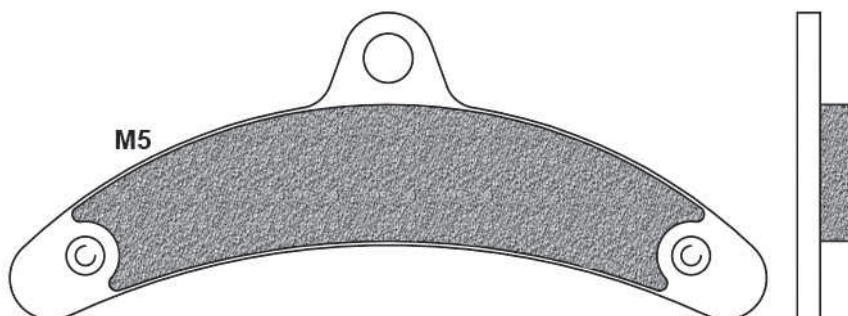
GP-O 160 4 SPEED	17->19	A
GP-O 190 DAYTONA	17->19	A

SHERCO	Year	A/P
ST 125 (FORMULA CALIPER)	13->14	A
ST 250 (FORMULA CALIPER)	13->14	A
ST 290 (FORMULA CALIPER)	13->14	A
ST 300 (FORMULA CALIPER)	13->14	A

FD0482

K1 | K5

D1 (mm): 100x40,4x8 (lxxhxp.)

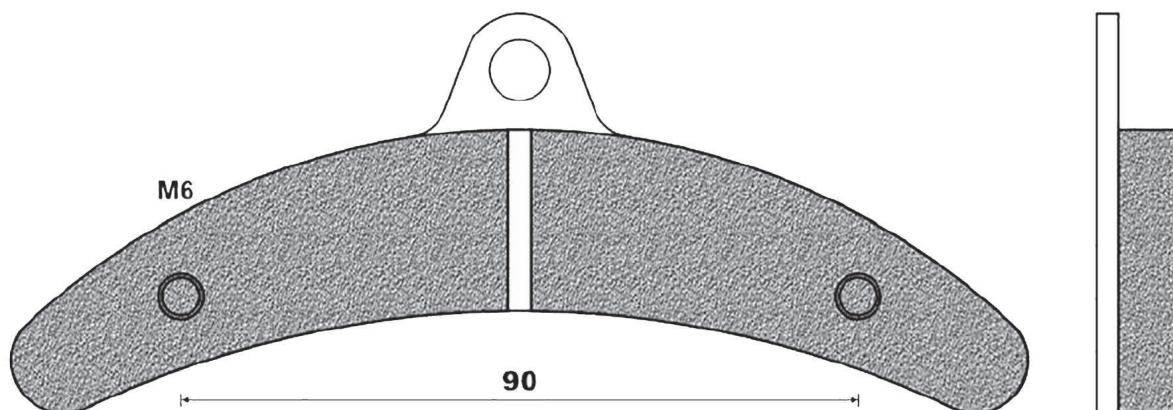


BIREL	Year	A/P
interasse fori 80 mm diametro M5 th 8	11->	A

FD0483

K1 | K5

D1 (mm): 135x53x10 (lxxhxp.)

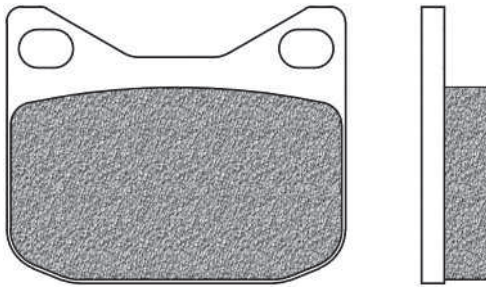


BIREL	Year	A/P
interasse fori 90 mm diametro M6 th 10	11->	P

FD0484

K1 | K5 | K6

D1 (mm): 44,6x36,4x9 (lhxsp.)



CRR	Year	A/P
KART	10->	A

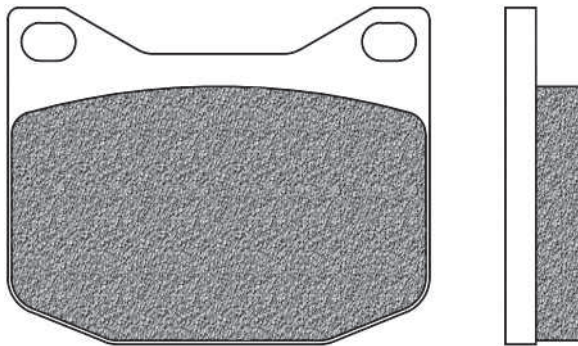
MARANELLO	Year	A/P
KART		A

TIBIKART	Year	A/P
KART		A

FD0485

K1 | K5 | K6

D1 (mm): 55,7x44,4x10 (lhxsp.)



CRR	Year	A/P
KART	10->	P

MARANELLO	Year	A/P
KART		P

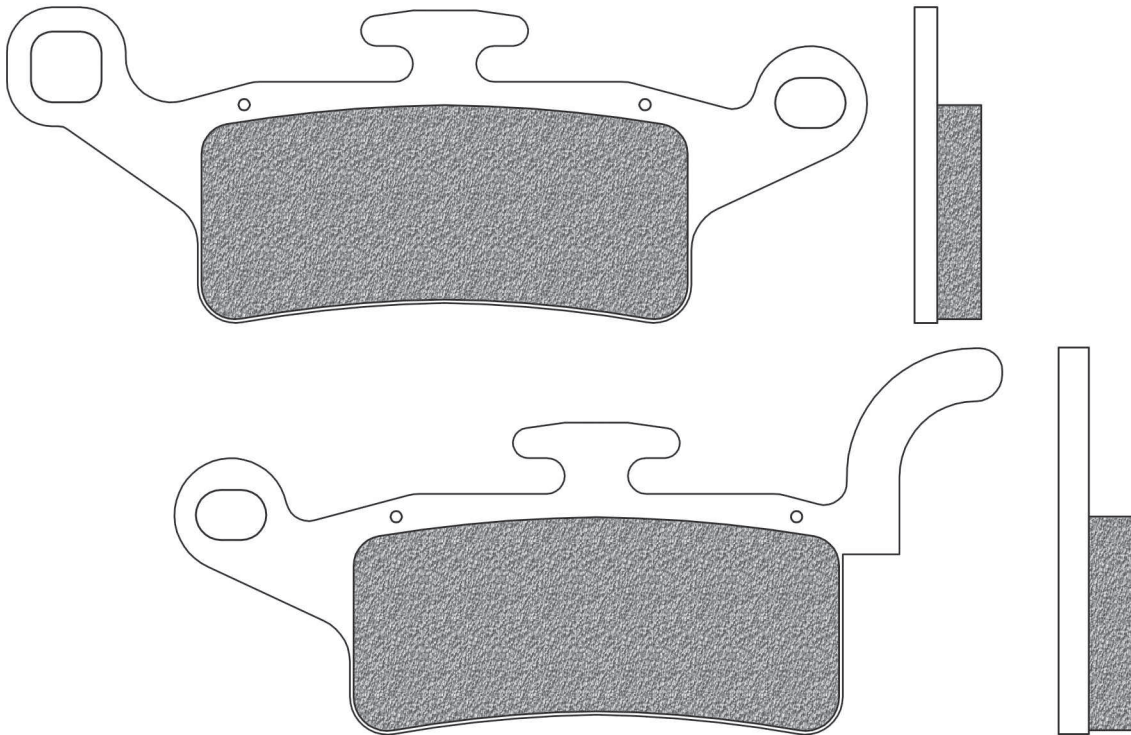
TIBIKART	Year	A/P
KART		P

FD0486

BA | BE

D1 (mm): 113,6x41,2x8,8 (lhxsp.)

D2 (mm): 109,5x51x9,7 (lhxsp.)



YAMAHA	Year	A/P
BWS 125 YW	10	A

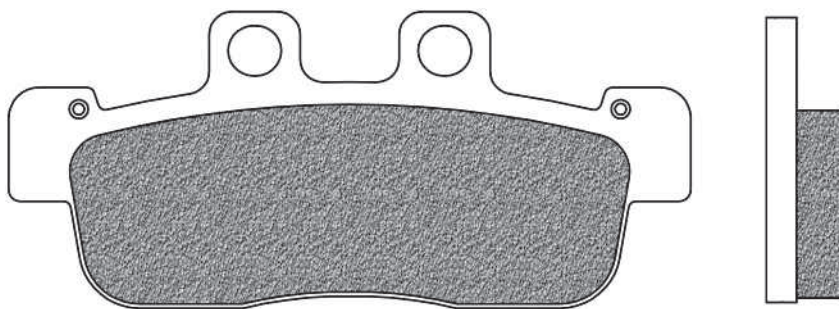
XENTER 125 HW	12->16	A
XENTER 150 HW	12->18	A

FIGURATO PASTIGLIE CON APPLICAZIONI | BRAKE PADS DRAWINGS AND APPLICATIONS | DESSINS PLAQUETTES AVEC APPLICATIONS |
DISEÑOS PASTILLAS CON RELACION | ZEICHNUNGEN VON BREMSBELÄGE MIT VERWENDUNGSLISTE

FD0487

BE

D1 (mm): 90,1x39,1x10,2 (lxxhxp.)



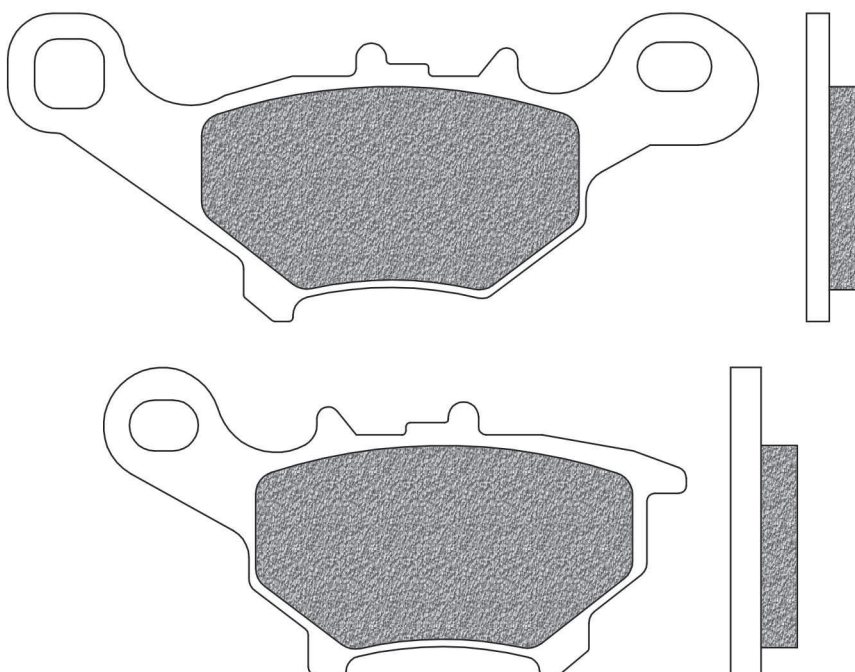
YAMAHA	Year	A/P
CYGNUS 125 NXC	10->	A

FD0488

BE

D1 (mm): 99,2x40,7x8 (lxxhxp.)

D2 (mm): 77x40,5x8,8

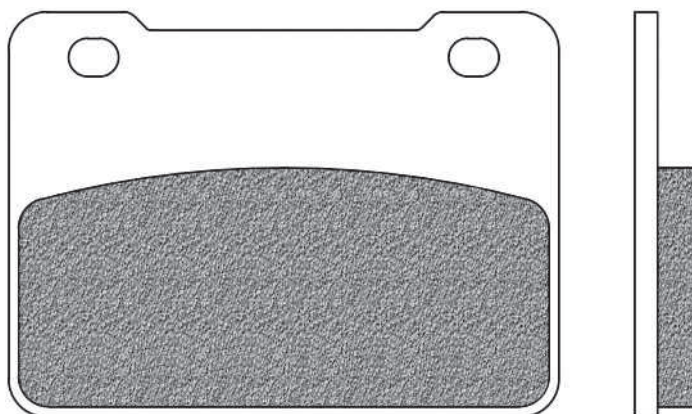


YAMAHA	Year	A/P
JOG 50 CV (A/R)	03->08	A

FD0489

BE

D1 (mm): 72,6x53,3x8 (lxxhxp.)

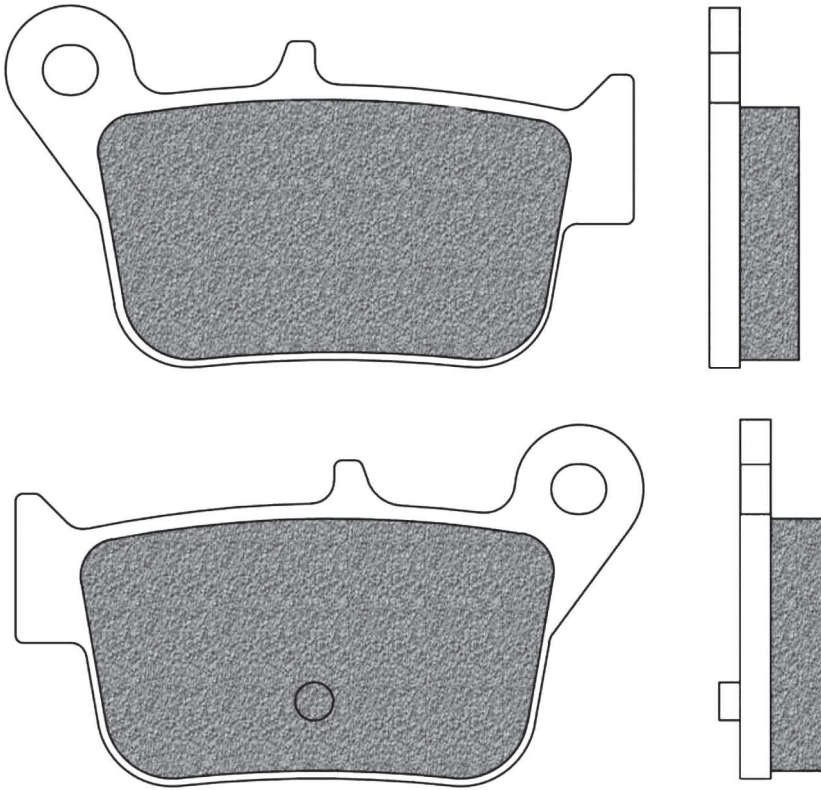


SYM	Year	A/P
SN 250 NI WOLF	14->	A
SB 300 CAFE RACER	16	A
WOLF 300 CAFE RACER	15->	A
WOLF 300 CLASSIC	15->	A
MAXYM 400 I	11	A
MAXYM 600 I	14->	A

FD0490

BE

D1 (mm): 83x47,7x11,8 (l x h x sp.)



SYM	Year	A/P
MAXYM 400 I	11->	P
MAXYM 600 I	14->	P

FIGURATO PASTIGLIE CON APPLICAZIONI | BRAKE PADS DRAWINGS AND APPLICATIONS | DESSINS PLAQUETTES AVEC APPLICATIONS |
DISEÑOS PASTILLAS CON RELACION | ZEICHNUNGEN VON BREMSBELÄGE MIT VERWENDUNGSLISTE

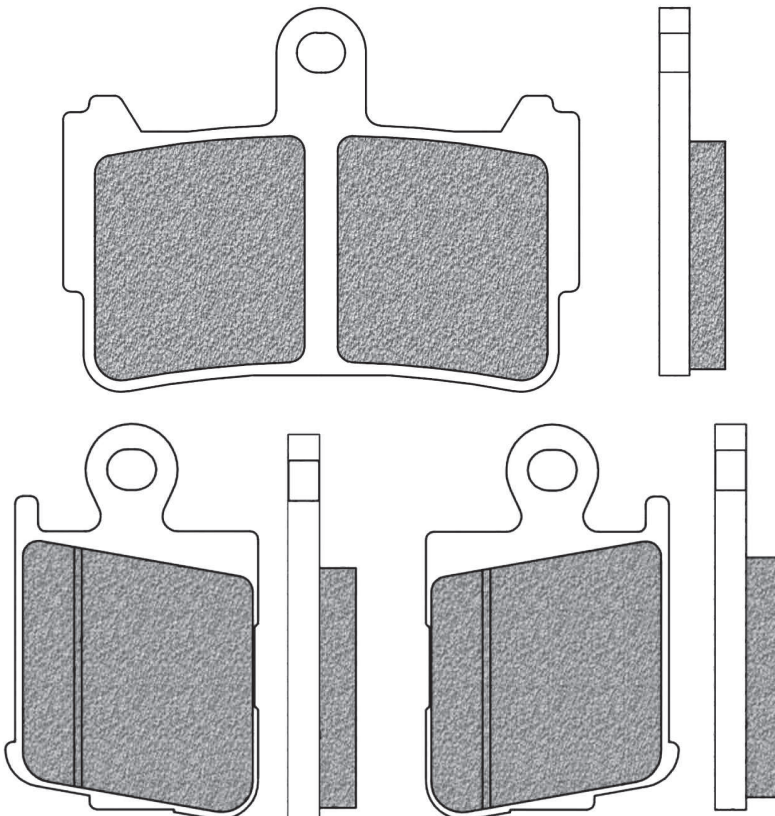
FD0491 (4 pz.)

SP | TS

D1 (mm): 69,2x51,3x8,9 (l x h x sp.)

D2 (mm): 33x51,5x8,9 (l x h x sp.)

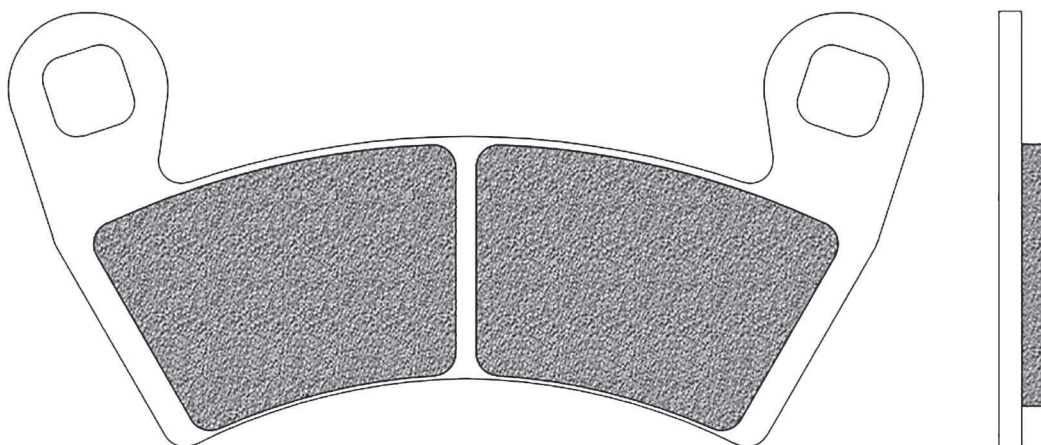
D3 (mm): 33x51,5x8,9 (l x h x sp.)



HONDA	Year	A/P
VFR 1200 F	10->19	A
VFR 1200 F (w/DCT)	10->19	A

FD0492
SV

D1 (mm): 120,9x57,2x6,9 (lxhxsp.)



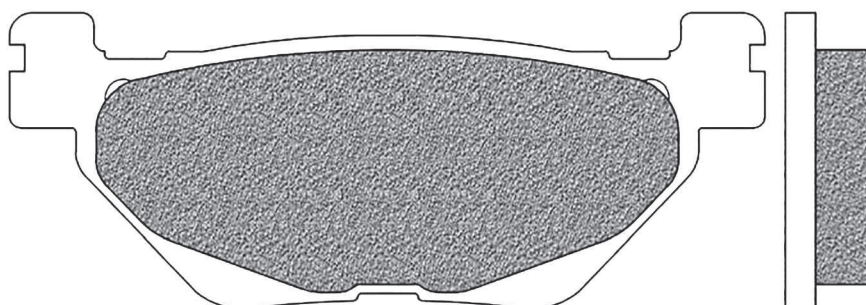
POLARIS	Year	A/P
RANGER 1 ELECTRIC	10->20	A
RANGER 1 ELECTRIC	18->20	P
RANGER 1 EV	15	A
SPORTSMAN 325 ACE EFI / EURO / HD	15	A
SPORTSMAN ACE 325 EFI / EURO / HD / MD / EPS	15->18	A
RANGER 500 2x4 (carb)	08->09	A
RANGER 500 4x4 EFI	10	A
RANGER 500 EFI CREW MIDSIZE	13->14	A
ACE 570 EPS	16->19	A
RANGER 570 CREW EFI	14->20	A
RANGER 570 CREW FULL SIZE EPS	15->20	A
RANGER 570 CREW FULL SIZE	15->20	A / P
RANGER 570 FULL SIZE	18->20	A
SPORTSMAN 570 ACE EFI / EURO	15->18	A
SPORTSMAN ACE 570	14->16	A
SPORTSMAN ACE 570 EFI /HD/SP	17->18	A
RANGER 700 4x4 EFI	09	A

RANGER 700 4x4 EFI CREW	09	A / P
RANGER 700 6x6 EFI	09	A
RANGER XP 700 4x4	08	A
RANGER 800 4x4 EFI	10->13	A
RANGER 800 6x6 EFI	10->16	A / P
RANGER 800 EFI CREW	10->14	A / P
RANGER XP 800	12	A
RZR 4 800 EFI / EPS	10->14	A
ACE 900 EPS XC	17->19	A
BRUTUS 900 HD	15->18	A
RANGER 900 CREW XP	18	A
RANGER DIESEL 900	12->15	A
RANGER DIESEL 900 CREW	14->16	A / P
RANGER XP 900	13->14	A
RZR 4 900	15->18	A
RZR XP 900 (2 seat)	11->14	A
RZR XP 4 900 (4 seat)	12->14	A / P
RZR XP 4 900 JAGGED X (2 seat)	12->13	A / P

RZR 925 TURBO PRO XP	20	P
RZR XP 925 TURBO / MD / TRACTOR / S	16->20	P
RZR XP 4 925 TURBO / MD	16->20	P
RZR XP 4 925 TURBO S / VELOCITY	19->20	A
RZR 925 TURBO S / VELOCITY	20	P
GENERAL 1000 all models / EPS	16->20	A
GENERAL 4 1000 all models / EPS	17->20	A
RANGER 1000 DIESEL CREW	15->18	A / P
RANGER 1000 DIESEL/EU	15->18	A
RANGER 1000 PETROL / all models	19->20	A
RANGER XP 1000 / CREW	17->18	P
RANGER XP 1000 / CREW	17->20	A
RANGER XP 1000 PETROL / all models	19->20	A
RZR 1000 RS1 (single seat)	18->20	A / P
RZR 4 1000 XP / MD	16->18	A / P
RZR S4 1000 (4 seat) / 60" WIDTH	19->20	A
RZR XP 1000 all models	14->20	A / P

FD0493
BA | BE

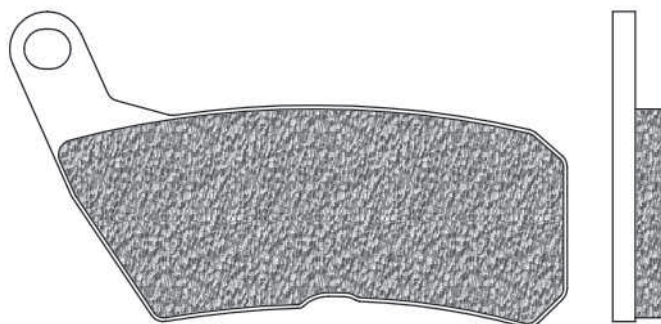
D1 (mm): 100x39x11,6 (lxhxsp.)



YAMAHA	Year	A/P
T MAX 530 XP	12->17	P
T MAX 530 XP ABS	15->16	P
T MAX DX 530 XP	17->19	P
T MAX SP 530 XP	15	P
T MAX SP 530 XP ABS	15->16	P
T MAX SX 530 XP	17->19	P

FD0494
BD

D1 (mm): 74,5x42x6,5 (lxhxsp.)

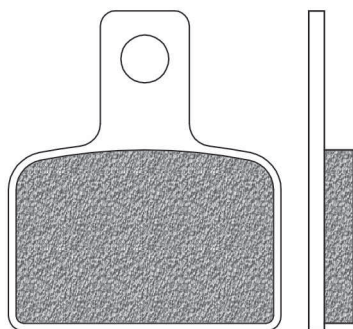


HM	Year	A/P
CRE 50 DERAPAGE COMPETITION	07->11	A
CRE 50 DERAPAGE RR	07->09	A
CRE 50 SIX COMPETITION	07->11	A
CRE F 125 X SIX	10->11	A
CRM B 125 2T DERAPAGE COMPETITION	11->12	A
CRM F 125 2TX DERAPAGE COMPETITION	10->11	A

FD0496

BD

D1 (mm): 35,9x42,2x5,8 (lxhxsp.)

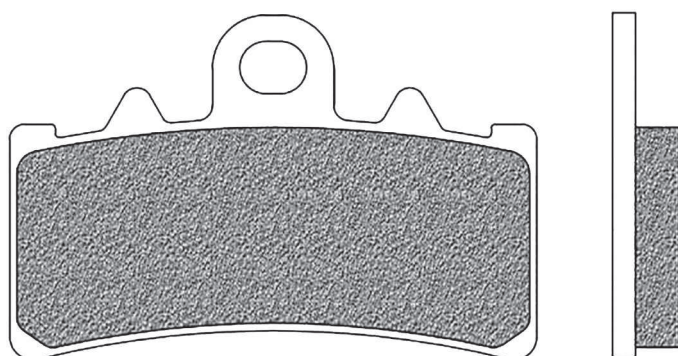


BETA	Year	A/P
EVO 125 2T	13->	P
EVO 200 2T	13->	P
EVO 250 2T	13->	P
EVO 250 4T	13->	P
EVO 300 2T	13->	P
EVO 300 4T	13->	P

FD0497

BT | R01 | TS

D1 (mm): 69,5x45,5x8,8 (lxhxsp.)

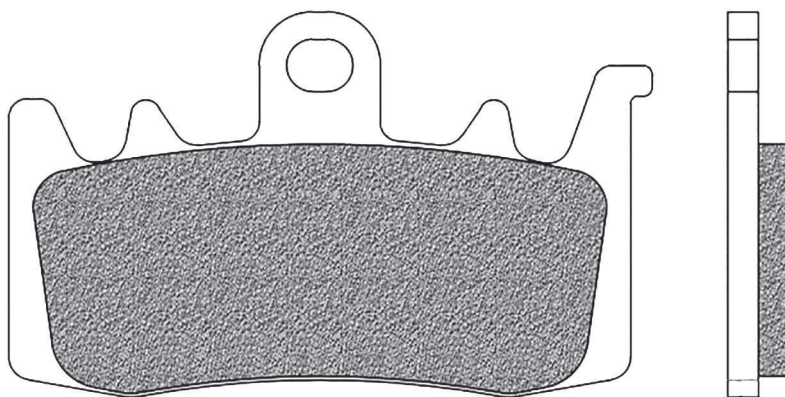


BMW	Year	A/P
G 310 GS	17->20	A
G 310 R	16->20	A
C 400 GT	19	A
C 400 X	18->20	A
HUSQVARNA	Year	A/P
SVARTPILEN 401	17->20	A
VITPILEN 401	17->20	A
KTM	Year	A/P
DUKE 125	11->20	A
RC 125	14->20	A
DUKE 200	12->20	A
RC 200	14->20	A
ADVENTURE 250	20	A
DUKE 250	20	A
ADVENTURE 390	20	A
DUKE 390	13->20	A
RC 390	14->20	A

FD0498

R01 | SP | TS

D1 (mm): 85x50,8x8 (lxhxsp.)



APRILIA	Year	A/P
RS 660	20	A
RSV 1000 TUONO V4R	14->	A
RSV 1100 TUONO V4	15	A
RSV 1100 TUONO V4 FACTORY	15->16	A
RSV 1100 TUONO V4 RR	15->16	A
CAPO NORD 1200	13->19	A
CAPO NORD 1200 RALLY	15->19	A
CAPO NORD 1200 TRAVEL PACK	16->19	A
BMW	Year	A/P
F 800 R	15->18	A
F 900 R	20	A
F 900 XR	20	A

S 1000 XR	15->19	A
R 1200 GS (W)	13->18	A
R 1200 GS (W) ADVENTURE	13->18	A
R 1200 NINE-T	13->20	A
R 1200 NINE-T PURE	17->19	A
R 1200 NINE-T RACER	17->20	A
R 1200 R	15->	A
R 1200 RS	14->18	A
R 1200 RT	14->18	A
CAN AM	Year	A/P
SPYDER 1000	13->15	A
SPYDER 1330	15->20	A

DUCATI	Year	A/P
MONSTER 797 (803 cc) (APTC clutch)	17->20	A
MONSTER 797 (803 cc) (FCC clutch)	19->20	A
MONSTER 797 PLUS (800 cc) (APTC clutch)	17->19	A
MONSTER 797 PLUS (800 cc) (FCC clutch)	19	A
SCRAMBLER 800 CAFE RACER (APTC clutch)	17->20	A
SCRAMBLER 800 CAFE RACER (FCC clutch)	17->20	A
SCRAMBLER 800 CLASSIC (APTC clutch)	15->18	A
SCRAMBLER 800 CLASSIC (FCC clutch)	16->18	A
SCRAMBLER 800 DESERT SLED (APTC clutch)	17->20	A
SCRAMBLER 800 DESERT SLED (FCC clutch)	17->20	A
SCRAMBLER 800 ENDURO	15->	A
SCRAMBLER 800 FLAT TRACK PRO (APTC clutch)	16	A
SCRAMBLER 800 FLAT TRACK PRO (FCC clutch)	16	A
SCRAMBLER 800 FULL THROTTLE (APTC clutch)	15->20	A
SCRAMBLER 800 FULL THROTTLE (FCC clutch)	16->20	A
SCRAMBLER 800 ICON (APTC clutch)	15->20	A
SCRAMBLER 800 ICON (FCC clutch)	16->20	A
SCRAMBLER 800 ICON DARK (APTC clutch)	20	A
SCRAMBLER 800 ICON DARK (FCC clutch)	20	A
SCRAMBLER 800 ITALIAN INDEPENDENT (APTC clutch)	16	A
SCRAMBLER 800 ITALIAN INDEPENDENT (FCC clutch)	16	A
SCRAMBLER 800 MACH 2.0 (APTC clutch)	18	A
SCRAMBLER 800 MACH 2.0 (FCC clutch)	18	A
SCRAMBLER 800 STREET CLASSIC (APTC clutch)	18	A
SCRAMBLER 800 STREET CLASSIC (FCC clutch)	18	A
SCRAMBLER 800 URBAN ENDURO (APTC clutch)	15->16	A
SCRAMBLER 800 URBAN ENDURO (FCC clutch)	16	A
HYPERMOTARD 821	13->15	A

FIGURATO PASTIGLIE CON APPLICAZIONI | BRAKE PADS DRAWINGS AND APPLICATIONS | DESSINS PLAQUETTES AVEC APPLICATIONS |
 DISEÑOS PASTILLAS CON RELACION | ZEICHNUNGEN VON BREMSBELÄGE MIT VERWENDUNGSLISTE



... FD0498

... segue DUCATI	Year	A/P
HYPERMOTARD 821 HYPERSTRADA	13->15	A
HYPERMOTARD 821 LOW SEAT	15	A
HYPERMOTARD 821 SP	13->15	A
MONSTER 821 (APTC clutch)	14->16	A
MONSTER 821 (FCCC clutch)	17->19	A
MONSTER 821 DARK (APTC clutch)	15->16	A
MONSTER 821 DARK (FCC clutch)	17	A
MONSTER 821 STEALTH	19->20	A
MONSTER 821 STRIPES (APTC clutch)	15->16	A
MONSTER 821 STRIPES (FCC clutch)	17	A
PANIGALE 899 ABS - USA	14->15	A
SUPERSPORT 936	17->19	A
SUPERSPORT 936 S	17->19	A
HYPERMOTARD 939	16->18	A
HYPERMOTARD 939 HYPERSTRADA	16	A
HYPERMOTARD 939 SP - SP U	16->18	A
HYPERMOTARD 950	19	A
HYPERMOTARD 950 SP - SP U	19	A
MULTISTRADA 950	17->20	A
MULTISTRADA 950 S - S TOURING	19->20	A
MULTISTRADA 950 SW - S SW	18->20	A
MULTISTRADA 950 TOURING	17->18	A
PANIGALE 955 959	16->19	A
PANIGALE 956 959	17	A
PANIGALE 959 959	18	A

PANIGALE 959 959 CORSE / CORSE U	18->19	A
SCRAMBLER 1100	18->19	A
SCRAMBLER 1100 SPECIAL	18->19	A
SCRAMBLER 1100 SPORT	18->19	A
MONSTER 1200	14->20	A
MULTISTRADA 1200	15->17	A
MULTISTRADA 1200 ENDURO	16->18	A
MULTISTRADA 1200 ENDURO PRO	18	A
MULTISTRADA 1200 ENDURO TOURING	16->18	A
MULTISTRADA 1200 SPORT PACK	17->18	A

HARLEY DAVIDSON	Year	A/P
LiveWire - ELW 1 LIVEWIRE	20	A

INDIAN	Year	A/P
FTR 1200	19->20	A
FTR 1200 S	19->20	A

KAWASAKI	Year	A/P
Z 1000 H2	20	A

KYMCO	Year	A/P
AK 550	17->20	A

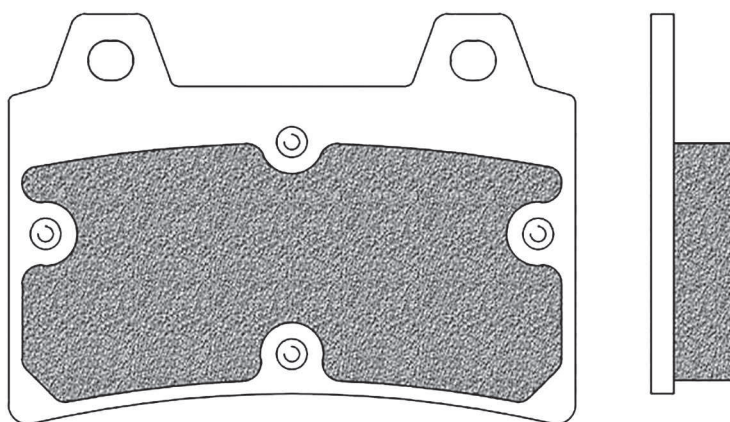
MV AGUSTA	Year	A/P
RIVALE 800	13->17	A
STRADALE 800	15->16	A
TURISMO 800 VELOCE	14->19	A
TURISMO 800 VELOCE LUSO	15->20	A
TURISMO 800 VELOCE RC	17->20	A

SWM	Year	A/P
VAREZ 400	20	A

TRIUMPH	Year	A/P
STREET TRIPLE R 765	17->20	A
STREET TRIPLE R 765 LOW	17->20	A
TIGER EXPLORER 1200	16->17	A
TIGER XCA 1200	18->20	A
TIGER XCX 1200	18->20	A
TIGER XR 1200	18->19	A
TIGER XRT 1200	18->20	A
TIGER XRX 1200	18->20	A
TIGER XRX 1200 LOW	18->20	A

FD0499

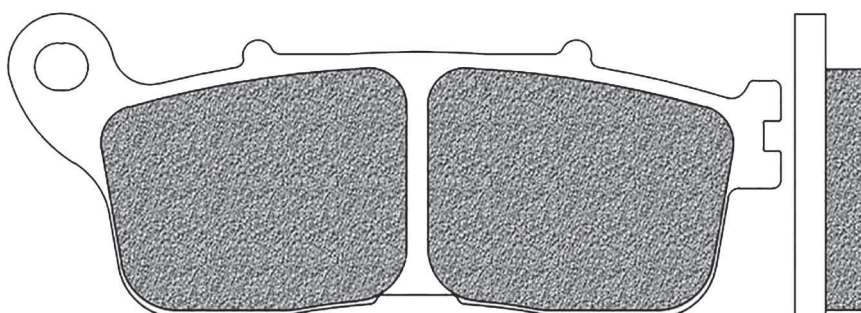
D1 (mm): 74,9x54x11 (lhxsp.)

K1 | K6


ARROW	Year	A/P
interasse fori 65,1/27,9mm diam M5 th 11		P

FD0500

D1 (mm): 102x40x9,4 (lhxsp.)

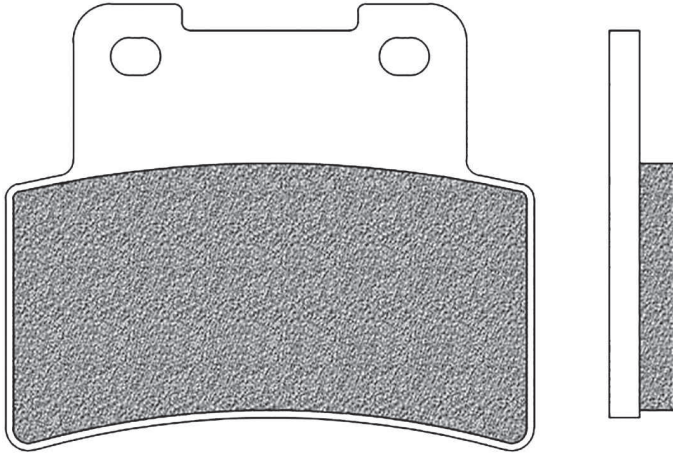
BT


HONDA	Year	A/P
VFR 1200 CROSSTOURER LE	12->19	P
VFR 1200 F (w/DCT)	10->19	P
VFR 1200 XC CROSSTOURER	12->19	P
VFR 1200 XDC CROSSTOURER (w/DCT)	12->19	P

FD0501

BE

D1 (mm): 70,6x59,5x8,8 (lxhxsp.)



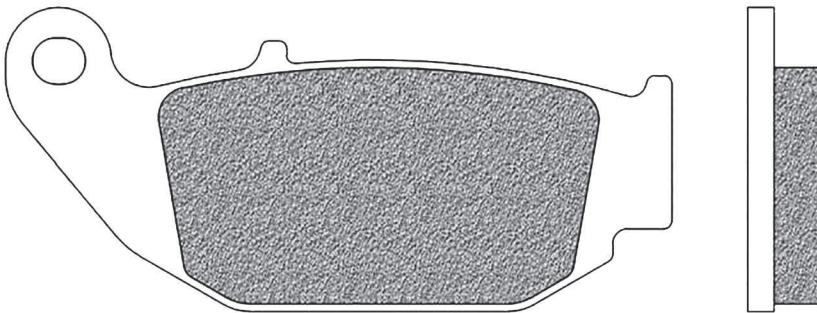
KYMCO	Year	A/P
XCITING 400 I	12->	A

SYM	Year	A/P
MAXYM 400 I	12->	A

FD0502

BT | TS

D1 (mm): 88x40x10 (lxhxsp.)



BENELLI	Year	A/P
TNT 125	18->19	P
TNT 135	18->19	P

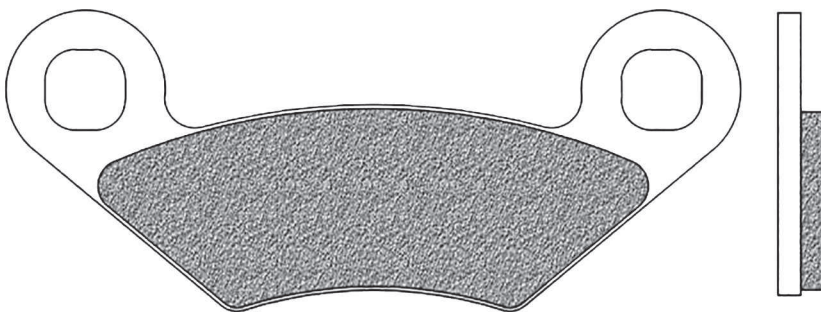
HONDA	Year	A/P
CB 125 R	18->20	P
CBR 125 R	11->18	P
MSX 125	14->19	P
MSX 125 GROM	13->20	P
Z 125 MONKEY	14->18	P
CRF 250 LD	13->15	P
CRF 250 ME SUPERMOTO	14->15	P
CB 300 R	18->20	P
CB 300 R NEO SPORTS CAFE	19	P

SUZUKI	Year	A/P
GSX-R 125	17->20	P
GSX-S 125	17->20	P

FD0503

SV

D1 (mm): 97x39,7x6,7 (lxhxsp.)



CAN AM	Year	A/P
COMMANDER 1 2x4 LSV / LSVE	13->15	P
COMMANDER 1 4x4 STD / XT / SLV	13->15	P
DS 450 EFI / X / XC all models	08->15	P
COMMANDER 800 (model with locking rear diff)	14->15	P
COMMANDER 800 IS MARKET	13	P
COMMANDER 1000 R (model with locking rear diff)	14->15	P
COMMANDER 1000 X / IS MARKET	13	P

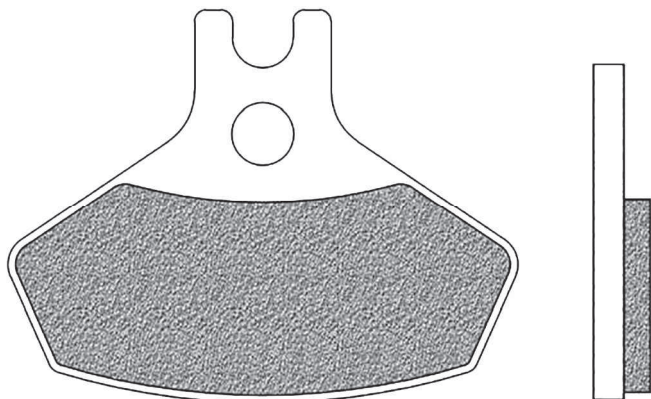
FIGURATO PASTIGLIE CON APPLICAZIONI | BRAKE PADS DRAWINGS AND APPLICATIONS | DESSINS PLAQUETTES AVEC APPLICATIONS |
 DISEÑOS PASTILLAS CON RELACION | ZEICHNUNGEN VON BREMSBELÄGE MIT VERWENDUNGSLISTE



FD0504

SV

D1 (mm): 67,3x51,8x7,5 (lhxsp.)



CAN AM

DS 450 EFI / X / XC all models

Year

08->15

A/P

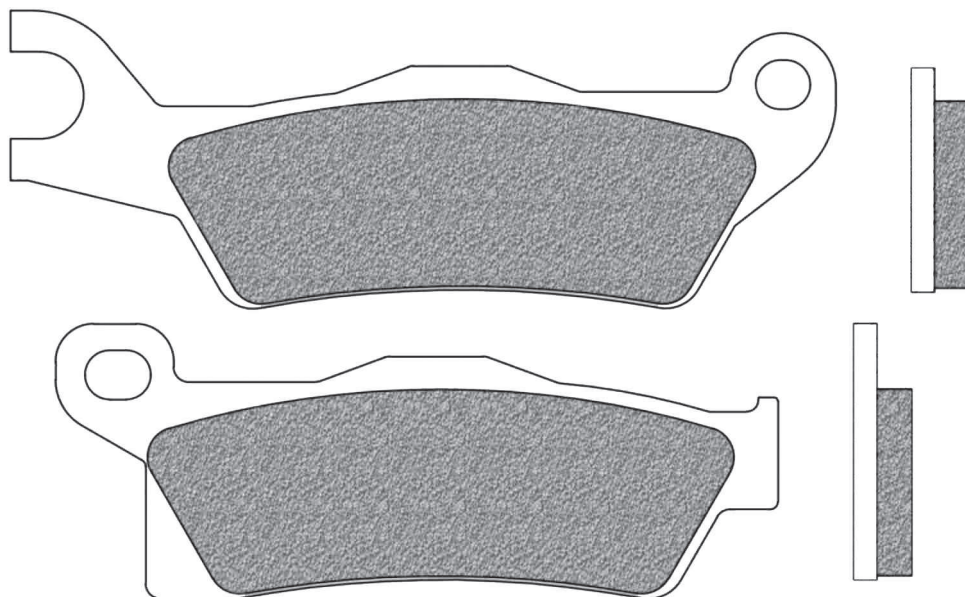
A

FD0505

SV

D1 (mm): 109x39,3x7,6 (lhxsp.)

D2 (mm): 95,4x36,3x7,6 (lhxsp.)



CAN AM	Year	A/P
OUTLANDER 450 6x6 MAX / PRO (dx / right)	19->20	A / P
OUTLANDER 450 DPS / PRO / PRP +	19->20	A / P
OUTLANDER 450 L / L MAX EFI	15->18	A / P
OUTLANDER 500 EFI STD / DPS / XT	13->14	A / P
OUTLANDER 500 L / L MAX EFI	15	A / P
RENEGADE 500 EFI (dx / right)	13->15	A / P
RENEGADE 500 EFI EU model	13	A / P
OUTLANDER 570 L / L MAX EFI	15->20	A / P
OUTLANDER 570 XMR (dx / right)	16->19	A / P
RENEGADE 570 EFI / XMR (dx / right)	16->19	A / P

OUTLANDER 650 6x6 DPS / MAX (dx / right)	18->20	A / P
OUTLANDER 650 6x6 EFI INTERNATIONAL	19->20	A / P
OUTLANDER 650 EFI STD / DPS / XT / XMR	13->20	A / P
OUTLANDER 650 MAX EFI STD / DPS / XT / X	13->20	A / P
RENEGADE 650 XXC	18->20	A / P
OUTLANDER 800 R MAX EFI / DPS / XT / XT-P	12->15	A / P
RENEGADE 800 STD / XXC / EFI EUROPE	12->14	A / P
OUTLANDER 850 EFI / MAX EFI / DPS / XT / XT-P / XMR	16->20	A / P
RENEGADE 850 EFI XXC (dx / right)	16->19	A / P
RENEGADE 850 STD / XXC	20	A / P
OUTLANDER 1000 6x6 EFI / MAX / DPS (dx/right)	15->20	A / P

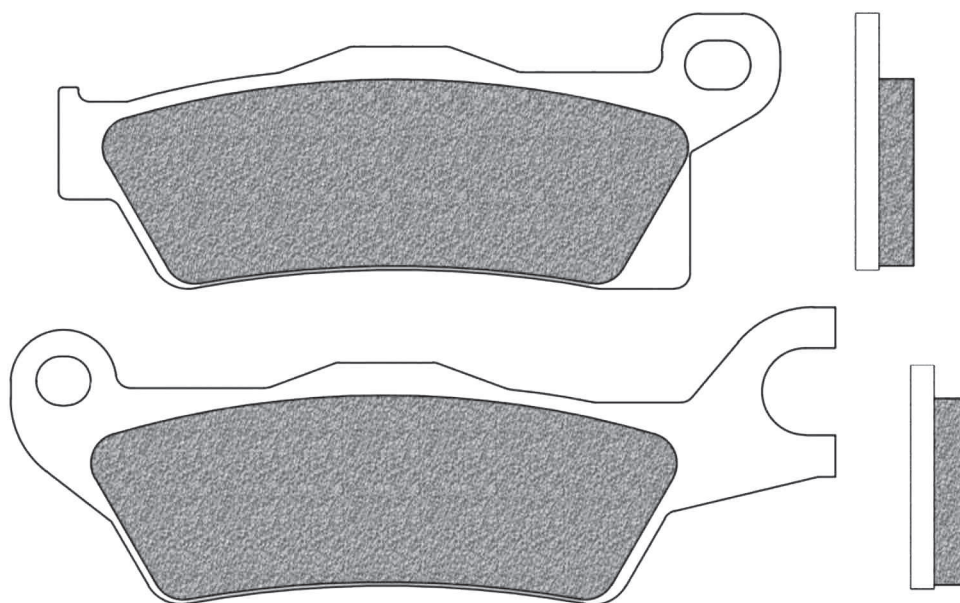
OUTLANDER 1000 MAX EFI / LTD / XMR / DPS / XT / XTP	13->20	A / P
OUTLANDER 1000 STD / EFI / DPS / XT / XTP / XMR	13->20	A / P
RENEGADE 1000 R EFI / XMR	20	A / P
RENEGADE 1000 R EFI / XMR (dx/right)	16->19	A / P
RENEGADE 1000 STD / XXC / EFI (dx/right)	12->19	A / P
RENEGADE 1000 STD / XXC / EFI EUROPE	12->20	A / P

FD0506

SV

D1 (mm): 109x39,3x7,6 (lxhxsp.)

D2 (mm): 95,4x36,3x7,6 (lxhxsp.)



CAN AM	Year	A/P
OUTLANDER 450 6x6 MAX / PRO (sx / left)	19->20	A / P
OUTLANDER 450 DPS / PRO / PRP +	19->20	A
OUTLANDER 450 L / L MAX EFI	15->18	A
OUTLANDER 500 EFI STD / DPS / XT	13->14	A
OUTLANDER 500 L / L MAX EFI	15	A
RENEGADE 500 EFI (sx / left)	13->15	A / P
RENEGADE 500 EFI EU model	13	A
OUTLANDER 570 L / L MAX EFI	15->20	A
OUTLANDER 570 XMR (sx / left)	16->19	A / P

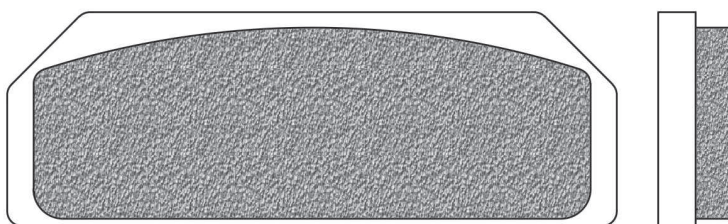
RENEGADE 570 EFI / XMR (sx / left)	16->19	A / P
OUTLANDER 650 6x6 DPS / MAX (sx / left)	18->20	A / P
OUTLANDER 650 6x6 EFI INTERNATIONAL	19->20	A
OUTLANDER 650 EFI STD / DPS / XT / XMR	13->20	A
OUTLANDER 650 MAX EFI STD / DPS / XT / X	13->20	A
RENEGADE 650 XXC	18->20	A
OUTLANDER 800 R MAX EFI / DPS / XT / XT-P	12->15	A
RENEGADE 800 STD / XXC / EFI EUROPE	12->14	A
OUTLANDER 850 EFI / MAX EFI / DPS / XT / XT-P / XMR	16->20	A
RENEGADE 850 EFI XXC (sx / left)	16->19	A / P

RENEGADE 850 STD / XXC	20	A
OUTLANDER 1000 6x6 EFI / MAX / DPS (sx/left)	15->20	A / P
OUTLANDER 1000 MAX EFI / LTD / XMR / DPS / XT / XTP	13->20	A
OUTLANDER 1000 STD / EFI / DPS / XT / XTP / XMR	13->20	A
RENEGADE 1000 R EFI / XMR	20	A
RENEGADE 1000 R EFI / XMR (sx/left)	16->19	A / P
RENEGADE 1000 STD / XXC / EFI (sx/left)	12->19	A / P
RENEGADE 1000 STD / XXC / EFI EUROPE	12->20	A

FD0509

R01

D1 (mm): 82,1x28,8x9,6 (lxhxsp.)



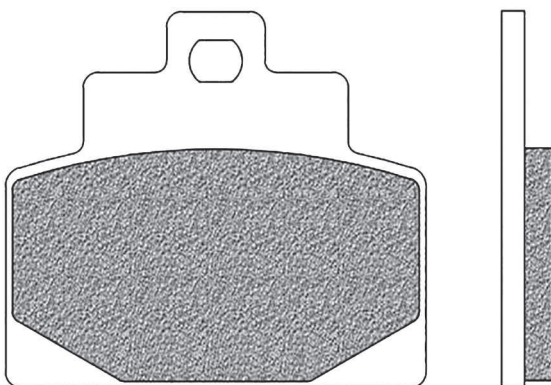
ACCOSSATO	Year	A/P
AGP205 100mm CNC monoblock 4 piston 2 pad		A
AGP207 100mm FORGED monoblock 4 piston 2 pad		A

BREMBO	Year	A/P
XA8Y310/11 RADIAL MONOBLOCK		A

FD0510

BE

D1 (mm): 55,5x49,5x6,8 (lxhxsp.)



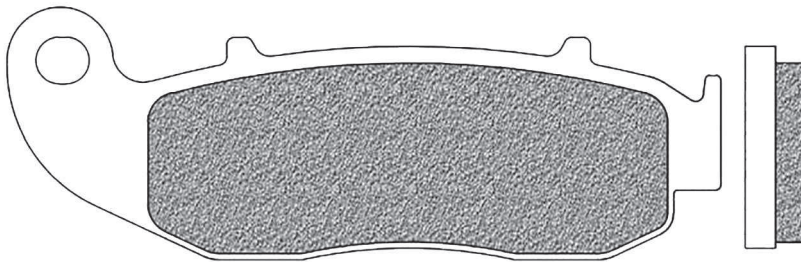
PIAGGIO	Year	A/P
MP3 300 LT BUSINESS ABS	14	A
MP3 300 SPORT ABS	14	A
MP3 500 LT BUSINESS ABS	14->	A
MP3 500 SPORT ABS	14->	A

FIGURATO PASTIGLIE CON APPLICAZIONI | BRAKE PADS DRAWINGS AND APPLICATIONS | DESSINS PLAQUETTES AVEC APPLICATIONS |
DISEÑOS PASTILLAS CON RELACION | ZEICHNUNGEN VON BREMSBELÄGE MIT VERWENDUNGSLISTE



FD0511
BD

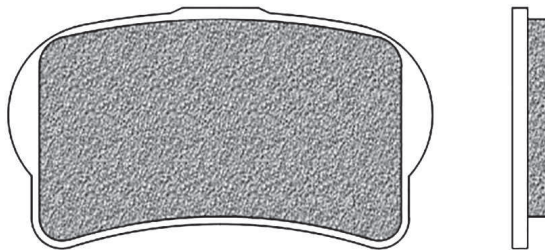
D1 (mm): 94,2x33,1x8,1 (lxhxsp.)



FANTIC	Year	A/P
CABALLERO 50 MOTARD	10->	A
CABALLERO 50 REGOLARITA	10->	A
CABALLERO 125 MOTARD 4T	10->	A
CABALLERO 125 REGOLARITA 4T	10->	A
REGOLARITA 125 COMPETIZIONE	08->	A
CABALLERO 200 MOTARD 4T	10->	A
CABALLERO 200 REGOLARITA 4T	10->	A
SWM	Year	A/P
SILVER VASE 440 SV	18->19	A
SIX DAYS 440	18->20	A
VALENTI	Year	A/P
RME 50	15->	A
SM 50	15->	A

FD0512
BD

D1 (mm): 56,2x31,7x5 (lxhxsp.)



JOTAGAS	Year	A/P
JT 125	14->19	A
JT 250	14->19	A
JT 280	14->19	A
JT 300	14->19	A

MONTESA	Year	A/P
COTA 260 4RIDE	16->19	A
COTA 260 4RT RACE REPLICA	15->19	A
COTA 300 RR	16->19	A

GAS GAS	Year	A/P
TXT 125 PRO RACING	14	A
TXT 125 PRO REPLICA	13	A
TXT 250 PRO RACING	14->19	A
TXT 250 PRO REPLICA	13->14	A
TXT 280 PRO RACING	14->19	A
TXT 280 PRO REPLICA	13	A

TXT 300 PRO RACING	14->19	A
TXT 300 PRO REPLICA	13	A

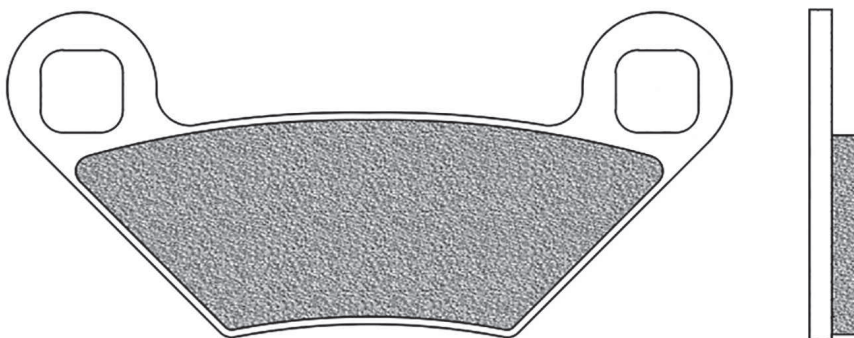
HONDA	Year	A/P
COTA 260 4RIDE	16->19	A
COTA 260 4RT RACE REPLICA	15->19	A
COTA 300 RR	16->18	A

OSSA	Year	A/P
TR 300 FACTORY R	15->	A

VERTIGO	Year	A/P
COMBAT 300 CAMO	15->	A
COMBAT 300 ICE HELL	15->	A

FD0513
SV

D1 (mm): 96,9x43,3x6,9 (lxhxsp.)



POLARIS	Year	A/P
HAWKEYE 325 2x4	15	P
SPORTSMAN 325 EIX EFI	15	P
HAWKEYE 400 2x4 HO	11->15	P
SPORTSMAN 400	11->14	P
SPORTSMAN 450 HO / EFI / MD / TRACTOR	16->20	P
SPORTSMAN 500 FOREST TRACTOR	11->14	P
SPORTSMAN 500 H.O. / EFI	10->12	P
SPORTSMAN 500 X2	10	A/P
SPORTSMAN XP 500	09->10	A/P
SPORTSMAN 550 EPS / INTL / X2 / XP / HD	10->14	A/P
SPORTSMAN 550 EPS TOURING	10->14	A/P
SPORTSMAN 550 FOREST	11->14	A/P

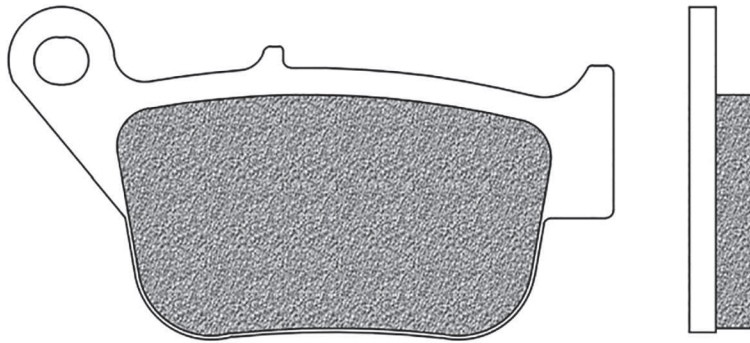
SPORTSMAN 570 6x6 / 6x6 TRACTOR	18->19	P
SPORTSMAN 570 6x6 / 6x6 TRACTOR (MIDDLE BRAKE)	18->19	P
SPORTSMAN 570 EFI / XP EPS / MD / UTE HD	14->20	P
SPORTSMAN 570 EFI X2 EPS	15->19	P
SPORTSMAN 570 SP / SP TOURING	14->20	P
SPORTSMAN 570 TOURING EFI / INTL	14	A/P
SPORTSMAN 570 TRACTOR / PREMIUM	14->20	P
SPORTSMAN 800 EFI	12	A/P
SPORTSMAN 800 EFI /HO	12->14	P
SPORTSMAN 800 FOREST	12	P
SCRAMBLER 850 HO EPS/INTL/MD/EU	13->19	A/P
SPORTSMAN 850 EPS TOURING	10->15	A/P
SPORTSMAN 850 FOREST	11->15	A/P

SPORTSMAN 850 HIGH LIFTER	16->20	A/P
SPORTSMAN 850 SP	16->19	A/P
SPORTSMAN XP 850 EPS	09->15	A/P
SPORTSMAN XP 850 EPS INTL	09->12	A/P
SPORTSMAN XP 850 X2 EFI / SP / SP TOURING / MD	09->19	A/P
SCRAMBLER 1000 MD/XP/EU/TRACTOR	15->19	A/P
SCRAMBLER 1000 XP 55"	20	P
SPORTSMAN 1000 HIGH LIFTER	16->20	A/P
SPORTSMAN 1000 MD/TOURING/XP/TRACTOR	15->19	A/P
SPORTSMAN 1000 XP 55"	20	P
SPORTSMAN 1000 XP	16->19	P

FD0514

BE

D1 (mm): 80x43,7x8,6 (lhxhvsp.)



YAMAHA	Year	A/P
X-MAX R 125 YP	14->17	P
X-MAX R 250 YP	14->16	P

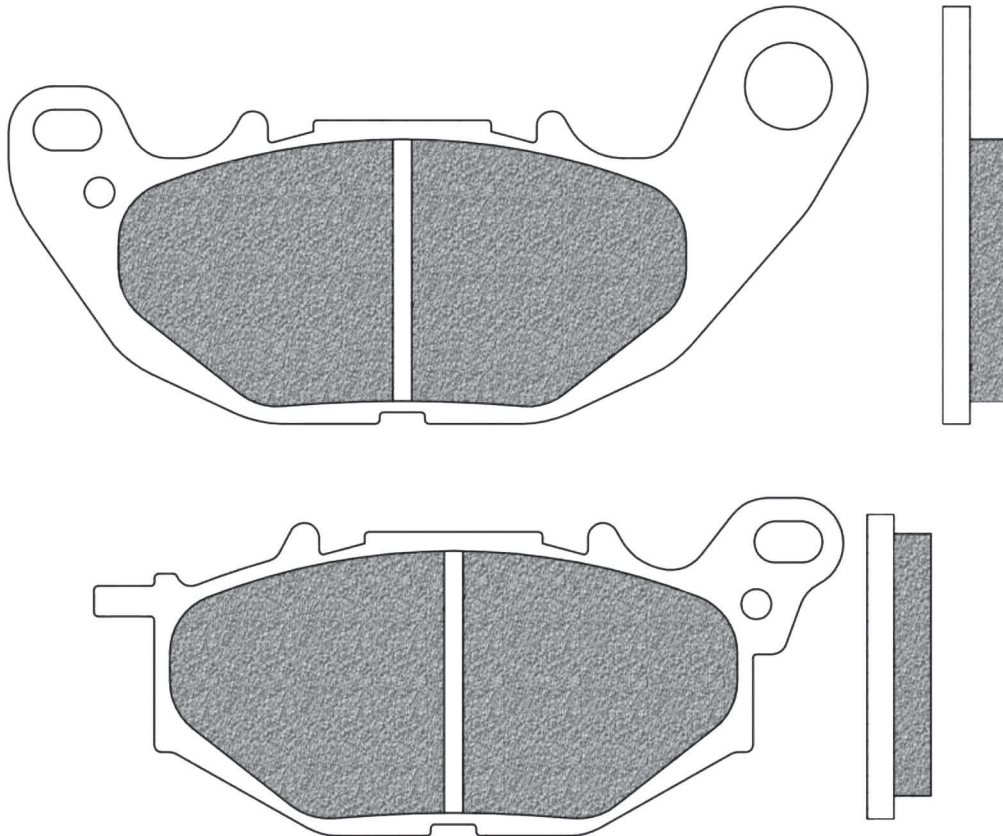
FIGURATO PASTIGLIE CON APPLICAZIONI | BRAKE PADS DRAWINGS AND APPLICATIONS | DESSINS PLAQUETTES AVEC APPLICATIONS |
DISEÑOS PASTILLAS CON RELACION | ZEICHNUNGEN VON BREMSBELÄGE MIT VERWENDUNGSLISTE

FD0515

BE | BT | R01 | SE | SP | TS

D1 (mm): 113,2x55x8,4 (lhxhvsp.)

D2 (mm): 98,6x44,6x8,4 (lhxhvsp.)



YAMAHA	Year	A/P
X-MAX RA 125 YP ABS	18->20	A
MT-25 250	16->16	A
YZF R25 250	15->16	A

X-MAX 300 ABS (CZD300A)	17->20	A
MT-03 320	16->20	A
YZF R3 320	15->20	A

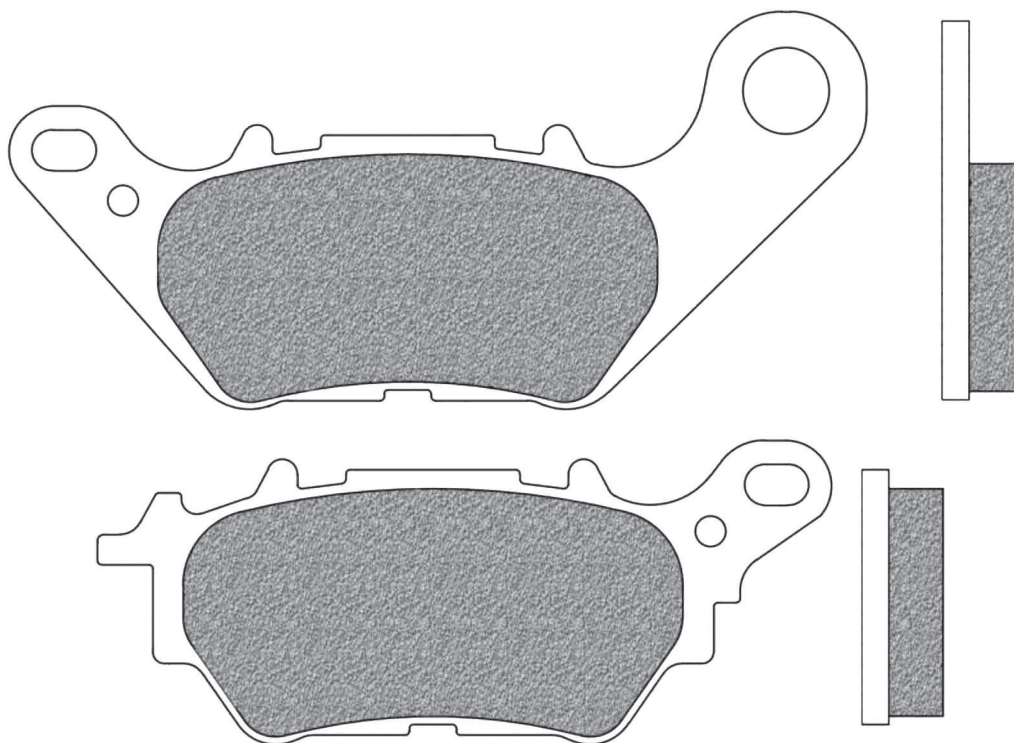


FD0516

BE | BT | TS

D1 (mm): 113,3x52,4x10,7 (lhxsp.)

D2 (mm): 97x40x10,7 (lhxsp.)



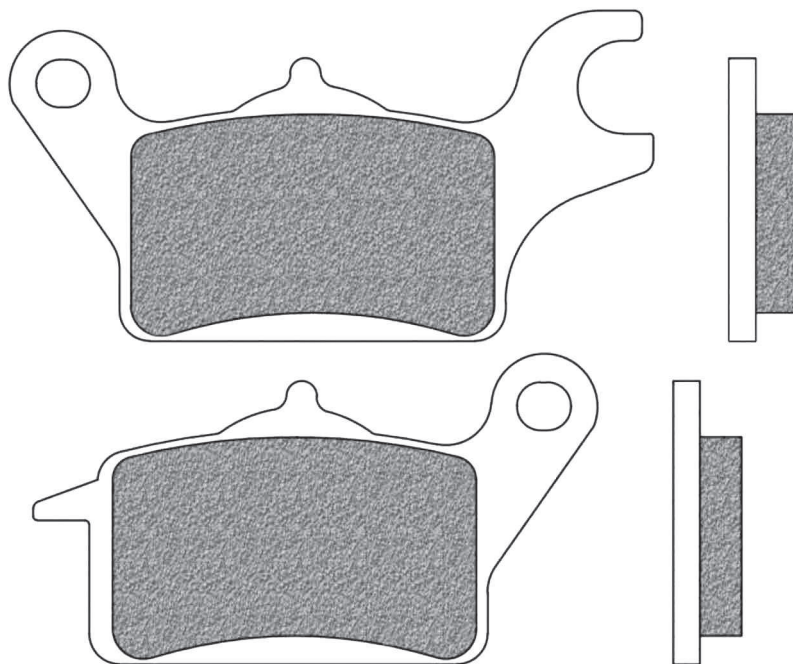
YAMAHA			Year	A/P				
X-MAX RA 125 YP ABS	18->20	P	YZF R25 250	15->16	P	YZF R3 320	15->20	P
MT-25 250	16->16	P	X-MAX 300 ABS (CZD300A)	17->20	P			
			MT-03 320	16->20	P			

FD0517

BE

D1 (mm): 85x43,7x9 (lhxsp.)

D2 (mm): 74,5x41x9 (lhxsp.)



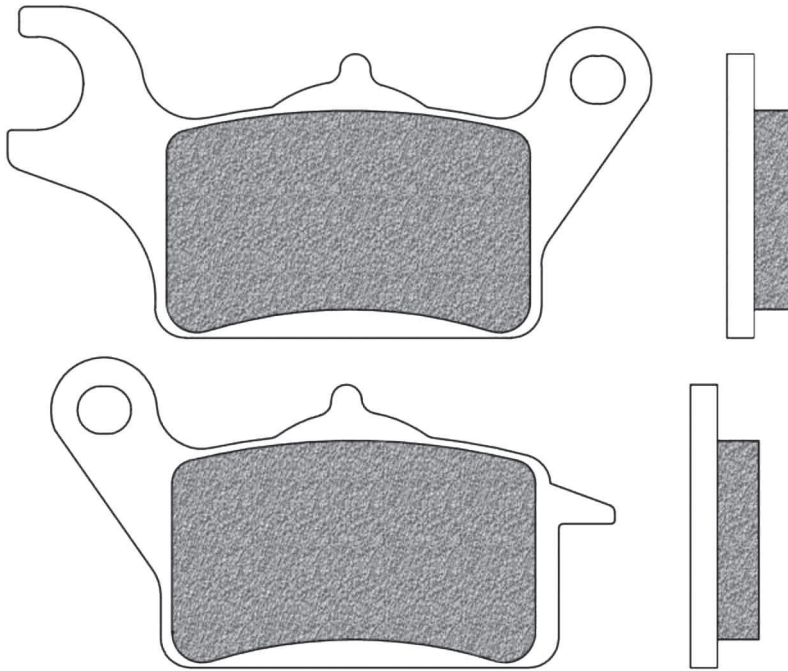
YAMAHA			Year	A/P
TRICITY 125 MW	14->16	A		
TRICITY 125 MWS	17->19	A		
TRICITY 150 MWS-A	16->20	A		
TRICITY 300	20	A		

FD0518

BE

D1 (mm): 85x43,7x9 (lxhxsp.)

D2 (mm): 74,5x41x9 (lxhxsp.)



YAMAHA	Year	A/P
TRICITY 125 MW	14->16	A
TRICITY 125 MWS	17->19	A
TRICITY 150 MWS-A	16->20	A
TRICITY 300	20	A

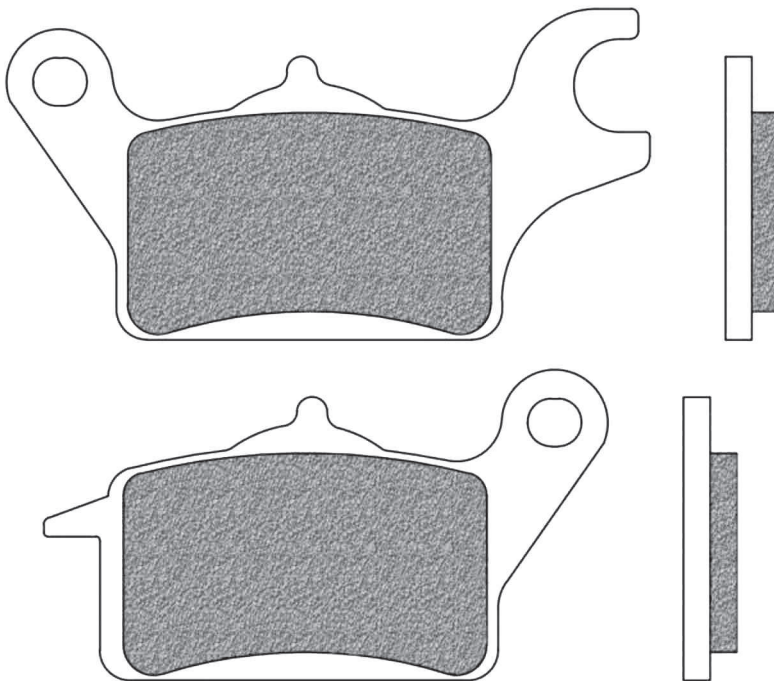
FIGURATO PASTIGLIE CON APPLICAZIONI | BRAKE PADS DRAWINGS AND APPLICATIONS | DESSINS PLAQUETTES AVEC APPLICATIONS |
DISEÑOS PASTILLAS CON RELACION | ZEICHNUNGEN VON BREMSBELÄGE MIT VERWENDUNGSLISTE

FD0519

BE

D1 (mm): 85x43,7x7 (lxhxsp.)

D2 (mm): 74,5x41x7 (lxhxsp.)



HONDA	Year	A/P
WAVE 110 AFS	12->19	A
C 125 SUPER CUB	19->20	A
WAVE 125	12->15	A

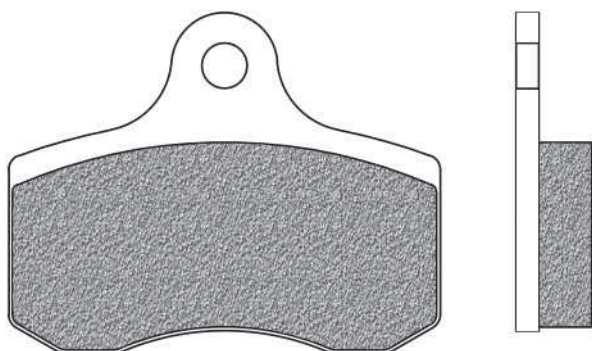
KAWASAKI	Year	A/P
Z 125 PRO	17->18	A

SUZUKI	Year	A/P
ADDRESS 110 UK	18->19	A

FD0520

K6

D1 (mm): 57,5x45x10 (lhxsp.)



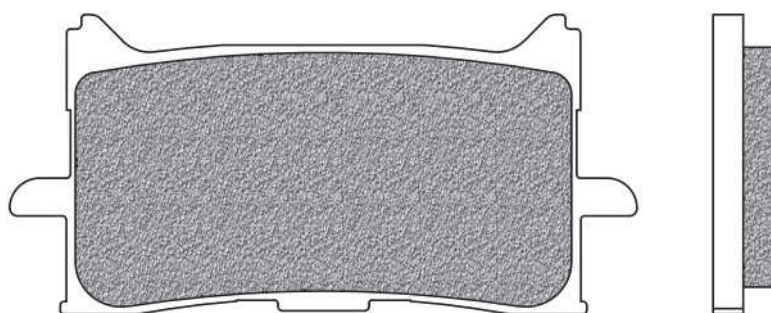
TONY KART

Year	A/P
interasse fori 46 mm diametro M4 (fascia bassa)	A

FD0521

SE | SP | TS

D1 (mm): 82,8x39,6x7,9 (lhxsp.)



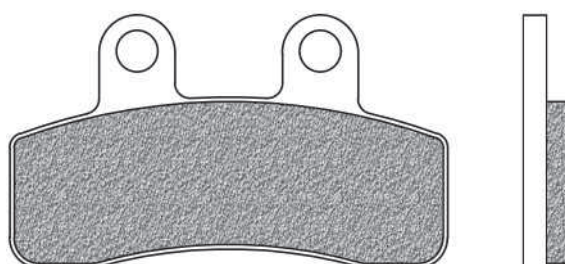
HONDA

Year	A/P
CB 125 R	18->20 A
CB 300 R	18->20 A
CB 300 R NEO SPORTS CAFE	19 A
CBR 650 R	19-> A
X-ADV 750	17->19 A
CRF 1000 LAFRICA TWIN	16->19 A
CRF 1000 LAFRICA TWIN ADVENTURE SPORTS	18->19 A
CRF 1100 LAFRICA TWIN	20 A
CRF 1100 LAFRICA TWIN ADVENTURE SPORTS	20 A

FD0522

BT

D1 (mm): 57,8x33,3x6,1 (lhxsp.)



ELSTARS

Year	A/P
BLADE 125 S	10-> A/P

GENERIC

Year	A/P
SM 50 MINI TRIGGER	08->09 A/P
X 50 MINI TRIGGER	08->09 A/P

ITALJET

Year	A/P
PIT JET 50	07->09 A/P
PIT JET 125	07->09 A/P

LAMBRETTA

Year	A/P
PATO 50	08->09 A

LIFAN

Year	A/P
LF 125 OFF ROAD	07-> A

MOTOM

Year	A/P
SPASSO 50	08->09 A

QUADZILLA

Year	A/P
WK 140	06->08 A

STOMP

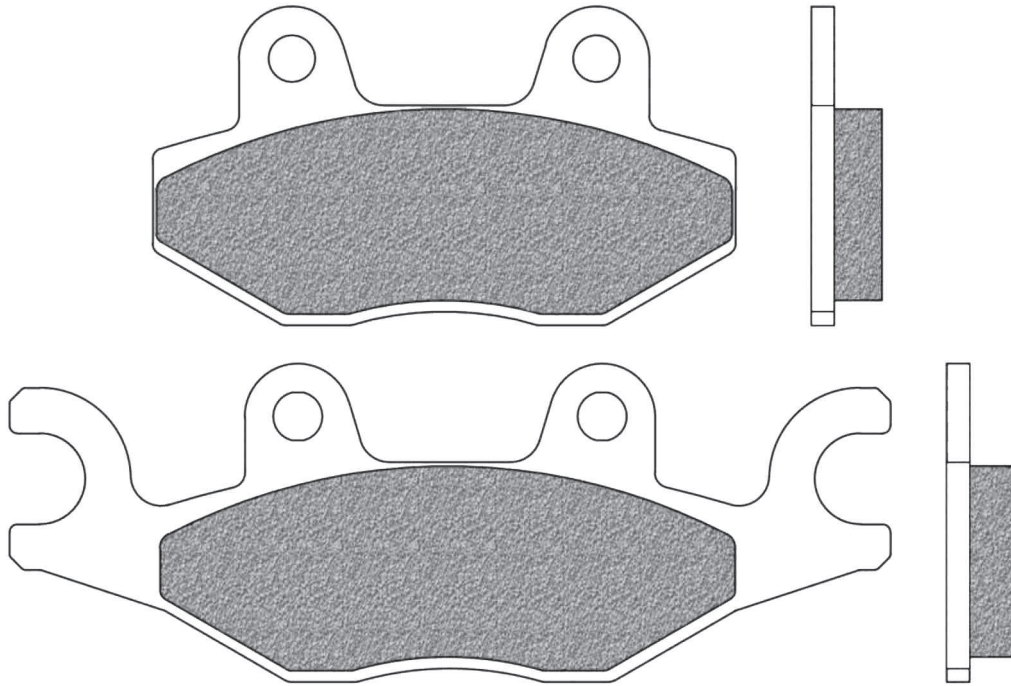
Year	A/P
ELITE 125	07->09 A

FD0523

BE

D1 (mm): 77x42x9,3 (lxhxsp.)

D2 (mm): 116,4x42x9,3 (lxhxsp.)



CECTEK	Year	A/P
I ESTOC 500	10->	A
KING COBRA 500 EFI	09->	A
QUADRIFT 500 EFI	09->	A

PGO	Year	A/P
BR 500 i RACER	07->	A
BUG 500	08->	A

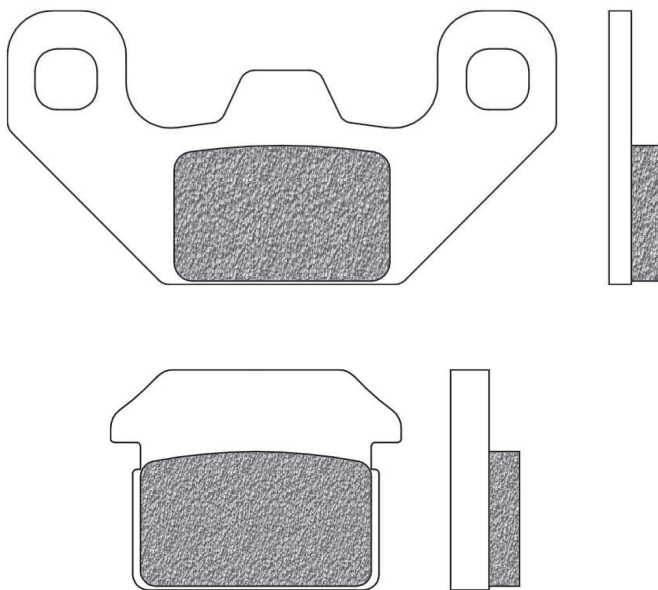
TGB	Year	A/P
X-LARGE 125	11->	A
X-MOTION 125	08->	A
X-MOTION 250	08->	A
X-MOTION 300	10->	A

FD0524

BD

D1 (mm): 74x36,8x7 (lxhxsp.)

D2 (mm): 37,8x28,5x9 (lxhxsp.)



BETA	Year	A/P
MINICROSS 50 R10	11->	P
MINICROSS 50 R12	11->	P

LIFAN	Year	A/P
LF 125 OFF ROAD	07->	P

QUADZILLA	Year	A/P
WK 140	06->08	P

STOMP	Year	A/P
ELITE 125	07->09	P

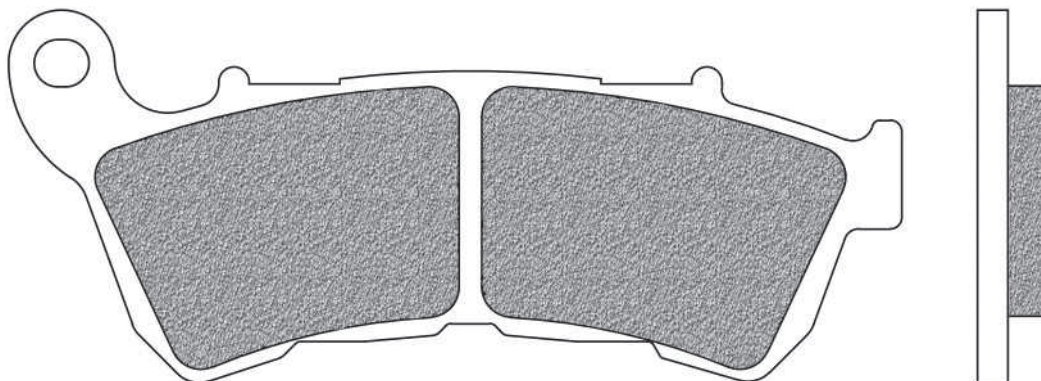
FIGURATO PASTIGLIE CON APPLICAZIONI | BRAKE PADS DRAWINGS AND APPLICATIONS | DESSINS PLAQUETTES AVEC APPLICATIONS |
DISEÑOS PASTILLAS CON RELACION | ZEICHNUNGEN VON BREMSBELÄGE MIT VERWENDUNGSLISTE



FD0525

SH

D1 (mm): 118x49,1x9,2 (lxxhxp.)

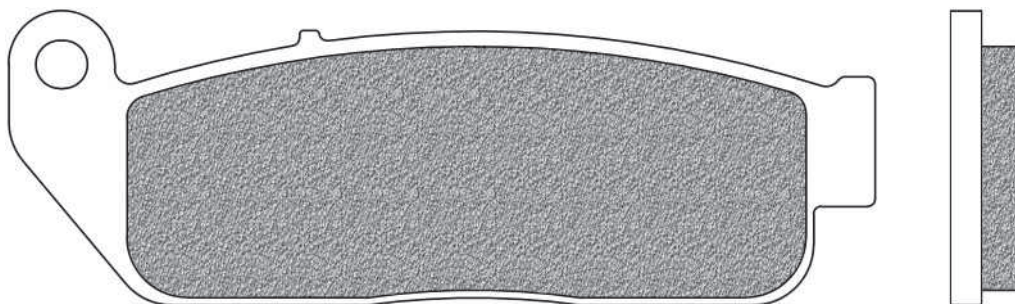


HARLEY DAVIDSON	Year	A/P						
XL 883 L SUPER LOW	14->19	A	XL 1200 CX ROADSTER	16->20	A	XL 1200 V SEVENTY TWO	14->16	A
XL 883 N IRON	14->20	A	XL 1200 NS IRON	19->20	A	XL 1200 X FORTY EIGHT 115TH ANNIVERSARY	18	A
XL 883 R ROADSTER	14->15	A	XL 1200 R SPORTSTER ROADSTER	18	A	XL 1200 X FORTY EIGHT	14->20	A
XL 1200 C SPORTSTER CUSTOM CA/CB	14->19	A	XL 1200 SPORTSTER	14->17	A	XL 1200 XS FORTY EIGHT SPECIAL	18->19	A
			XL 1200 T SUPER LOW	15->19	A			

FD0526

SH

D1 (mm): 114,4x38,8x9,5 (lxxhxp.)



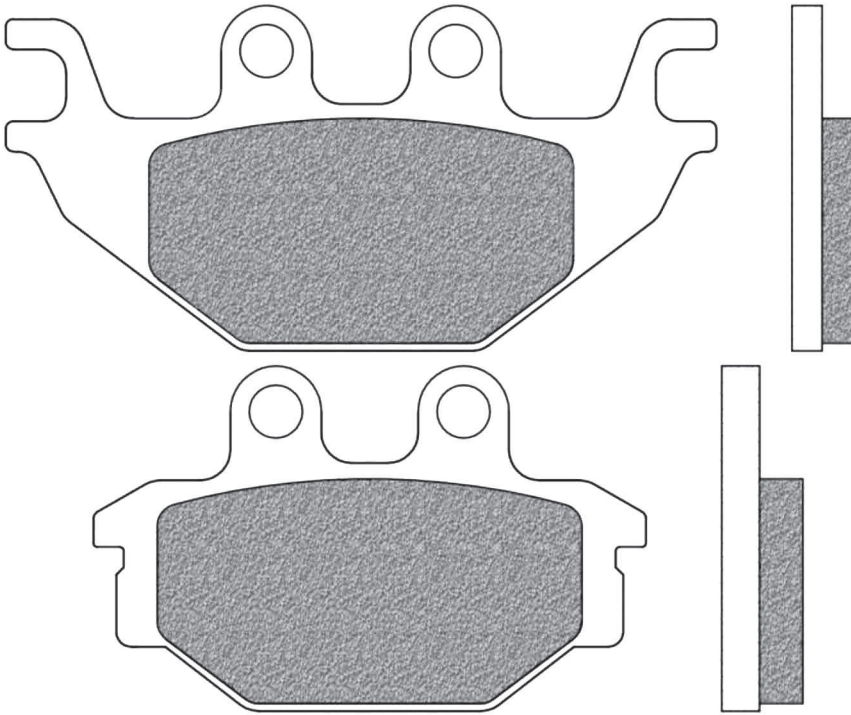
INDIAN	Year	A/P		
SCOUT 1000 SIXSTY	16	A		
SCOUT 1130	15->16	A		

FD0527

SH

D1 (mm): 94x45,6x8,4 (lxhxsp.)

D2 (mm): 73x45,6x10,7 (lxhxsp.)



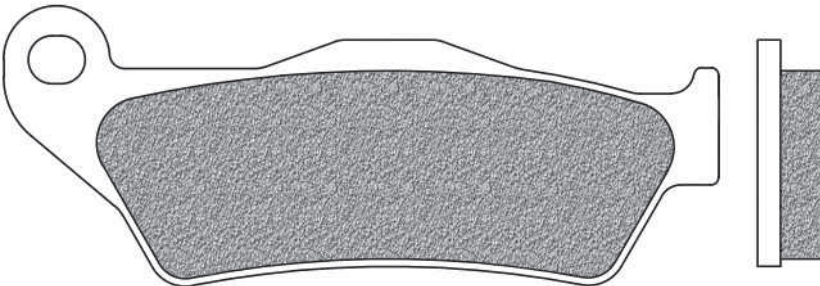
INDIAN	Year	A/P
SCOUT 1000 SIXSTY	16	P
SCOUT 1130	15->16	P

FIGURATO PASTIGLIE CON APPLICAZIONI | BRAKE PADS DRAWINGS AND APPLICATIONS | DESSINS PLAQUETTES AVEC APPLICATIONS |
DISEÑOS PASTILLAS CON RELACION | ZEICHNUNGEN VON BREMSBELÄGE MIT VERWENDUNGSLISTE

FD0528

SH

D1 (mm): 94,3x36,8x9 (lxhxsp.)

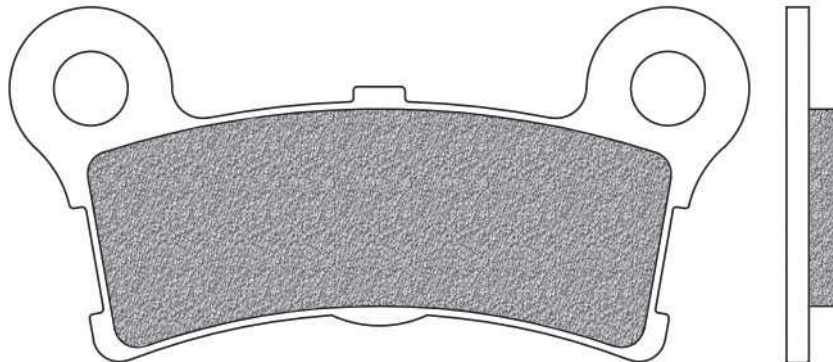


HARLEY DAVIDSON	Year	A/P
XG 500 STREET	14->15	A
XG 500 STREET	14->20	P
XG 750 STREET	14->15	A
XG 750 STREET	14->20	P
XG-A 750 STREET ROD	17->20	P

FD0529

SH

D1 (mm): 97,7x46,8x7 (lxhxsp.)



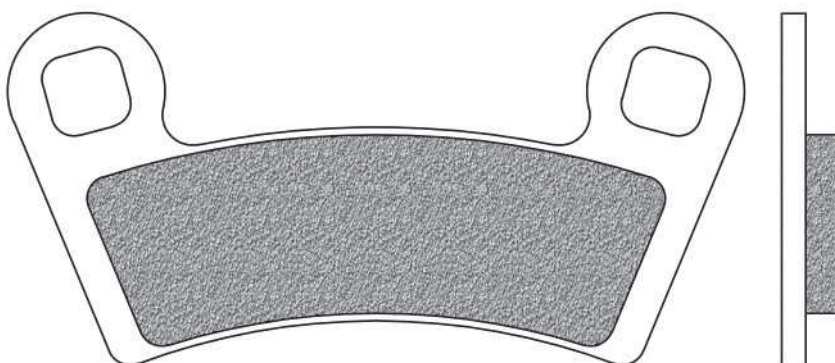
HARLEY DAVIDSON	Year	A/P
FLHTCUTG 1690 TRI GLIDE ULTRA CLASSIC TRIKE	10->13	P

FLHXXX 1690 STREET GLIDE TRIKE	10->11	P
--------------------------------	--------	---

FD0530

SV

D1 (mm): 97,2x46,5x7,6 (lhxsp.)



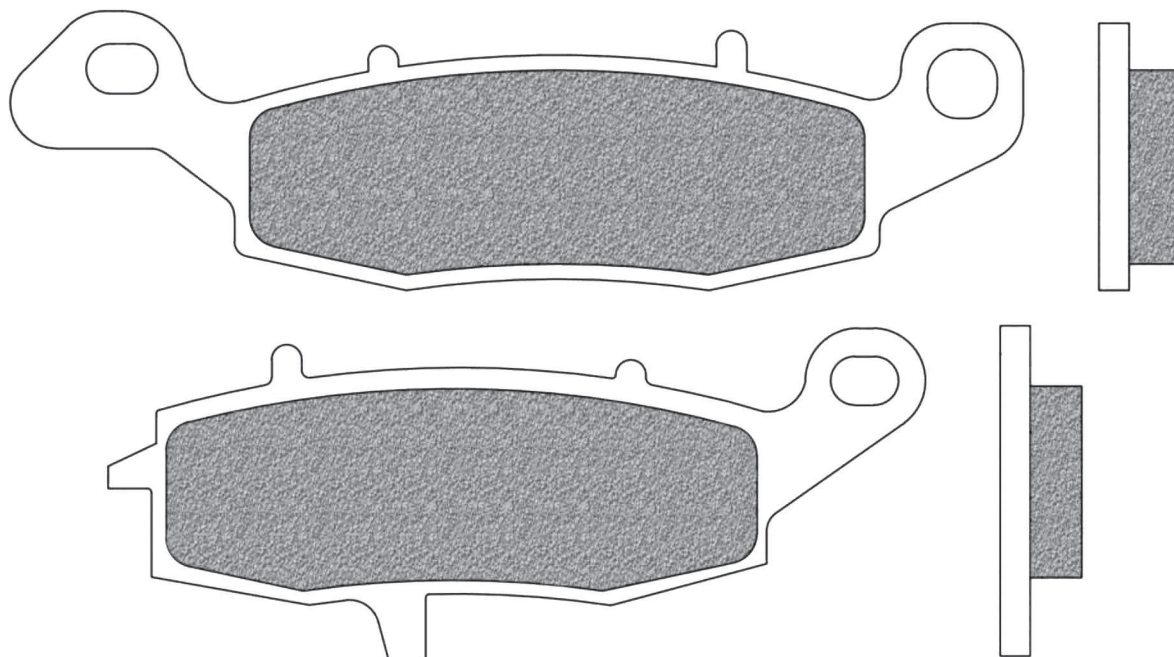
POLARIS	Year	A/P
OUTLAW 450 MXR	09	A
OUTLAW 450 S	08->09	A
OUTLAW 525 IRS	07->11	A
OUTLAW 525 S	07->11	A
RZR 570 EFI	12->20	A
RZR 800 EFI / INTL	08->12	A
RZR S 800 EFI	09->14	A
RZR 900 50"	15->20	P
RZR S 900 60"	15->20	P
RZR XP 4 925 TURBO S / VELOCITY	19->20	P
RZR 925 XP TURBO S VELOCITY	20	P
GENERAL 1000 all models / EPS	16->20	P
GENERAL 4 1000 all models / EPS	17->20	P
RANGER 1000 PETROL / all models	19->20	P
RANGER XP 1000 / CREW	19->20	P
RANGER XP 1000 PETROL / all models	19->20	P
RZR 1000 60" all options	16->20	P
RZR S 1000 (2 seat) / 60" WIDTH	19->20	P
RZR S4 1000 (4 seat) / 60" WIDTH	19->20	P
SCRAMBLER 1000 XP 55"	20	A
SPORTSMAN 1000 XP 55"	20	A

FD0531

BT

D1 (mm): 134x38x10,9 (lhxsp.)

D2 (mm): 110x42,5x10,9 (lhxsp.)



KAWASAKI	Year	A/P
VN 900 CLASSIC	06->16	P
VN 900 CLASSIC SE	11->19	P
VN 900 CUSTOM	07->20	P
VN 1500 CLASSIC FI	00->	P
VN 1500 CLASSIC TOURER FI	00->04	P
VN 1500 MEAN STREAK	02->04	P
VN 1600 CLASSIC	03->08	P

VN 1600 MEAN STREAK	04->08	P
VN 1700 CLASSIC	09->	P
VN 1700 CLASSIC TOURER	09->12	P
VN 1700 VOYAGER	09->11	P
VN 2000	04->07	P

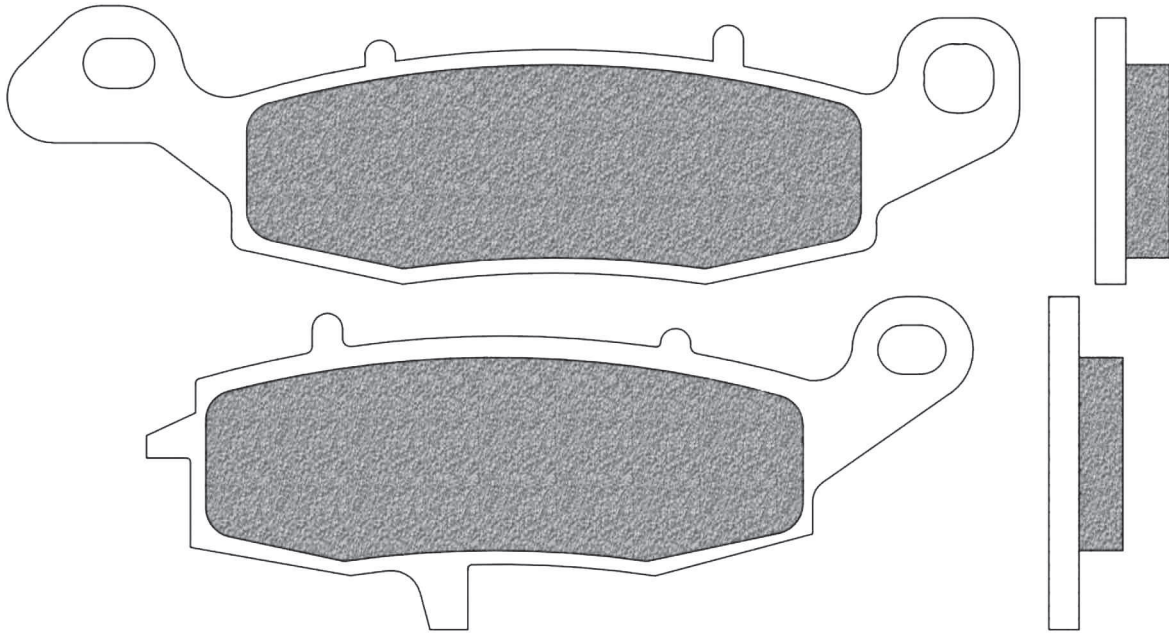
SUZUKI	Year	A/P
C 1500 T INTRUDER	13->18	P
M 1500 INTRUDER	09->18	P
M 1600 INTRUDER	05	P
VZ 1600 MARAUDER	04	P

FD0532

BT

D1 (mm): 134x38x9,8 (lxhxsp.)

D2 (mm): 110x42,5x9,8 (lxhxsp.)

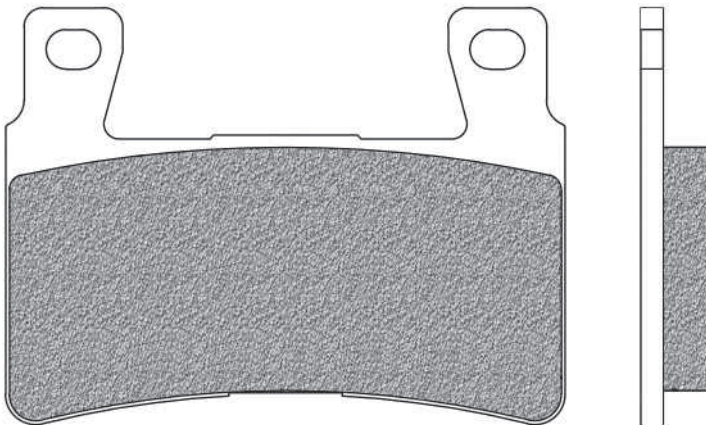


SUZUKI	Year	A/P			
C 1800 R INTRUDER	08->12	P	M 1800 R INTRUDER	06->16	P
C 1800 RT INTRUDER	08->09	P	M 1800 R2 INTRUDER	08->10	P
			M 1800 RBZ INTRUDER	14->17	P

FD0533

SH

D1 (mm): 73,9x55x9,2 (lxhxsp.)



HARLEY DAVIDSON	Year	A/P
XR 1200 SPORTSTER /X	09->12	A
FLD 1584 SWITCHBACK	15	A
FLS 1584 SOFTAIL SLIM	15	A
FLSTC 1584 HERITAGE SOFTAIL CLASSIC	15	A
FLSTF 1584 FAT BOY	15	A
FLSTFB 1584 FAT BOY LO	15	A
FLSTN 1584 SOTAIL DELUXE	15	A
FXSB 1584 BREAKOUT	15	A
FLS 1690 SOFTAIL SLIM	15->17	A
FLSTC 1690 HERITAGE SOFTAIL CLASSIC	15->17	A
FLSTF 1690 FAT BOY	15->17	A
FLSTFB 1690 FAT BOY LO	15->16	A
FLSTN 1690 SOFTAIL DELUXE	15->16	A
FXSB 1690 BREAKOUT	15->17	A
FLDE 1745 SOFTAIL DELUXE	18->20	A
FLFB 1745 FAT BOY	18->19	A
FLHC 1745 HERITAGE CLASSIC	18->20	A
FLSB 1745 SPORT GLIDE	18->20	A
FLSL 1745 SOFTAIL SLIM	18->20	A
FXBB 1745 STREET BOB	18->20	A
FXBR 1745 BREAKOUT	18->19	A
FXFB 1745 FAT BOB	18->19	A
FXLR 1745 LOW RIDER	18->20	A
FLSS 1800 SOFTAIL SLIM S	16->17	A
FLSTFBS 1800 FAT BOY S	16->17	A
FXSE 1800 CVO PRO STREET BREAKOUT	17	A
FLFBS 1868 FAT BOY	18->20	A
FLHCS 1868 HERITAGE CLASSIC	18->20	A
FXBRS 1868 BREAKOUT	18->20	A
FXDRS 1868 SOFTAIL FXDR	19->20	A
FXFBS 1868 FAT BOB	18->20	A
FXLRS 1868 LOW RIDER S	20	A

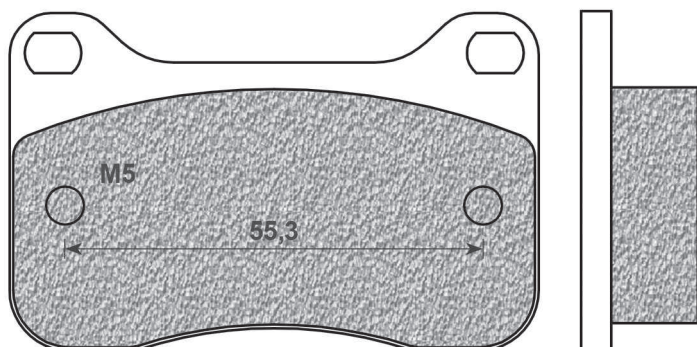
FIGURATO PASTIGLIE CON APPLICAZIONI | BRAKE PADS DRAWINGS AND APPLICATIONS | DESSINS PLAQUETTES AVEC APPLICATIONS |
 DISEÑOS PASTILLAS CON RELACION | ZEICHNUNGEN VON BREMSBELÄGE MIT VERWENDUNGSLISTE



FD0534

K1 | K6

D1 (mm): 70x44,5x15,4 (lhxsp.)



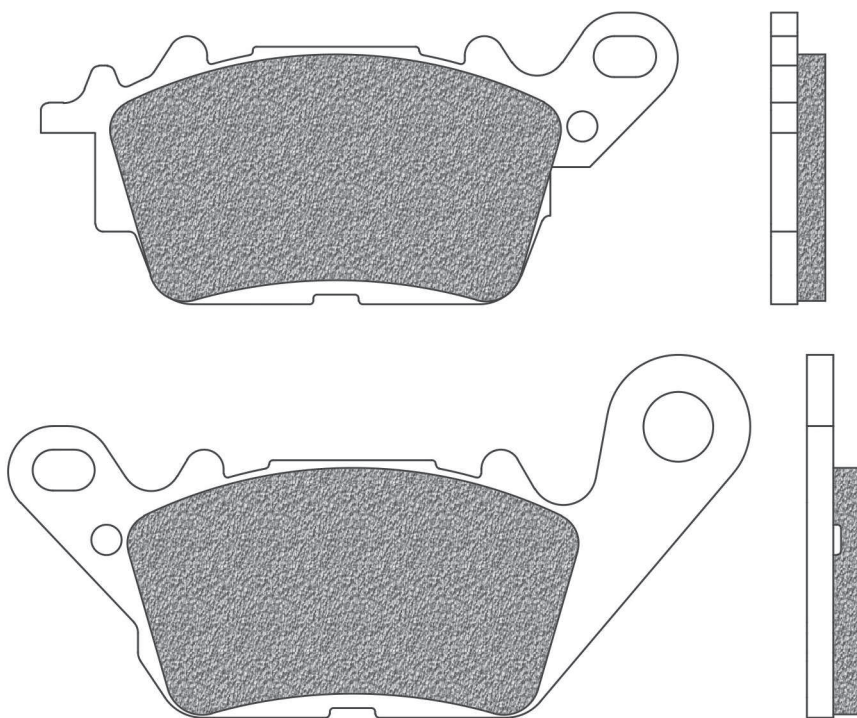
OTK	Year	A/P
BSM interasse fori 55,3 mm diametro M5		A

FD0535

BA

D1 (mm): 84,2x38,5x7,2 (lhxsp.)

D2 (mm): 97,9x47,9x7,2 (lhxsp.)

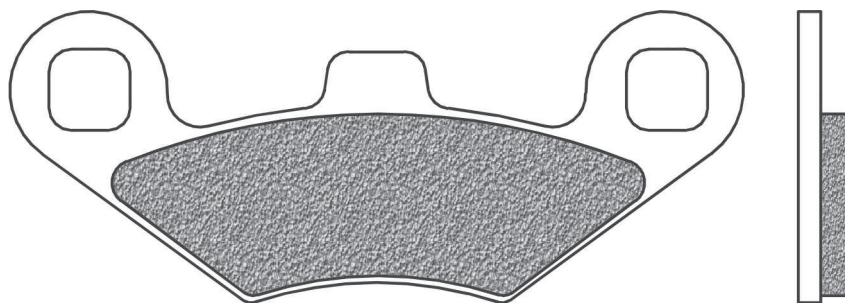


YAMAHA	Year	A/P
N-MAX 125 GPD-A	15->19	A
N-MAX 155 GPD-A (150CC)	17->19	A

FD0536

BE

D1 (mm): 96,8x38,4x7 (lhxsp.)

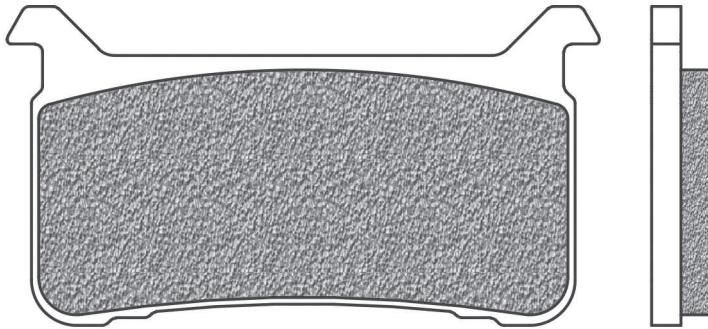


PEUGEOT	Year	A/P
METROPOLIS 400	14->	A/P

FD0537

R01 | SP

D1 (mm): 78x42,5x7,9 (lxhxsp.)



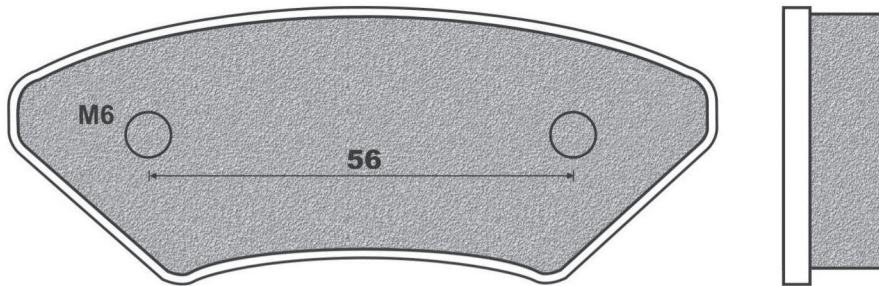
HONDA	Year	A/P
CROSSRUNNER 800 VFR X	17->18	A
VFR 800 F	17->19	A
CB 1000 R	18->20	A
CB 1000 R+	18->	A
CBR 1000 FIREBLADE RR-R	20	A
CBR 1000 RR FIREBLADE	17->19	A
CB 1100 RS ABS	17->19	A

FIGURATO PASTIGLIE CON APPLICAZIONI | BRAKE PADS DRAWINGS AND APPLICATIONS | DESSINS PLAQUETTES AVEC APPLICATIONS |
 DISEÑOS PASTILLAS CON RELACION | ZEICHNUNGEN VON BREMSBELÄGE MIT VERWENDUNGSLISTE

FD0538

K1

D1 (mm): 95,2x37,7x13 (lxhxsp.)



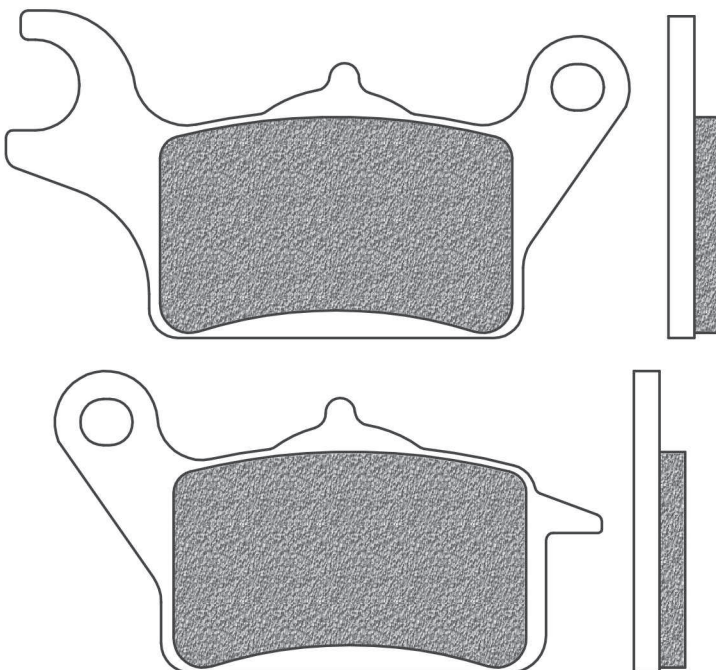
ALL KART	Year	A/P
interasse fori 56 mm diametro M6 th 13		P

FD0539

BE

D1 (mm): 85x43,7x7 (lxhxsp.)

D2 (mm): 74,5x41x7 (lxhxsp.)

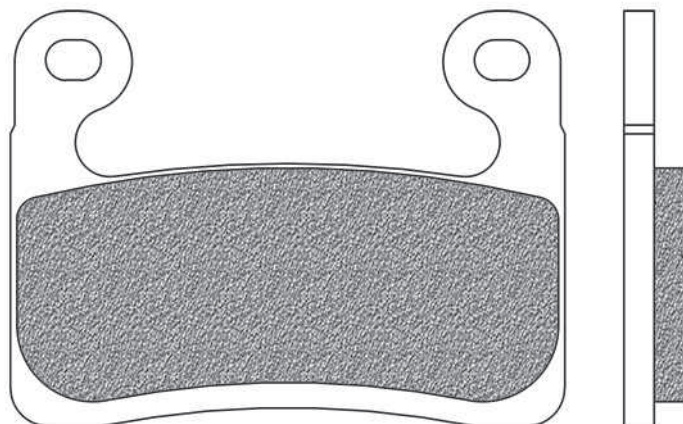


HONDA	Year	A/P
VISION 110	17->19	A

FD0540

R01 | SP

D1 (mm): 73,1x54,7x8 (lhxhsp.)

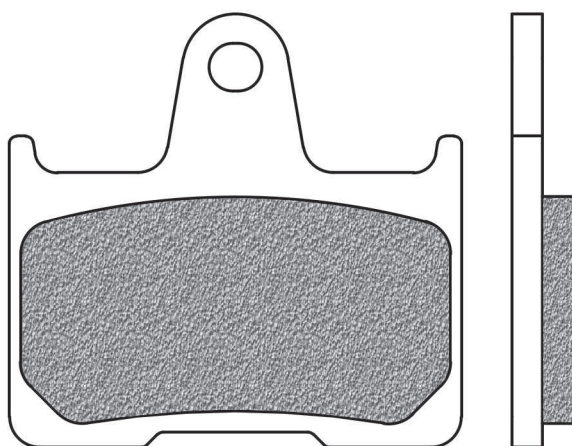


BMW	Year	A/P
S 1000 RR	19->20	A
S 1000 XR	20	A
R 1250 GS	19->20	A
R 1250 GS ADVENTURE	19->20	A
R 1250 R	19->20	A
R 1250 RS	19->20	A
R 1250 RT	19->20	A
R 1250 RT SPORT	19->20	A

FD0541

SH

D1 (mm): 60x57x8,6 (lhxhsp.)

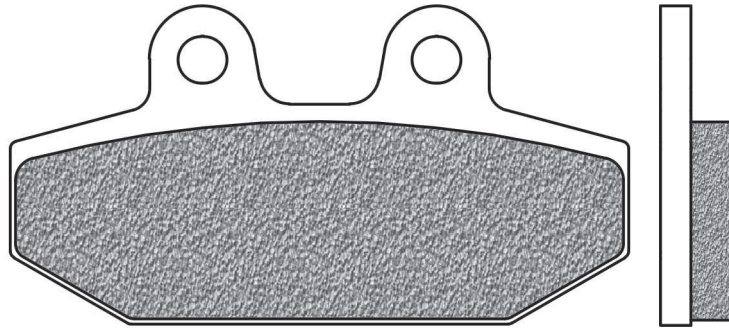


HARLEY DAVIDSON	Year	A/P		Year	P
XL 883 L SUPER LOW	14->19	P	XL 1200 CX ROADSTER	16->20	P
XL 883 N IRON	14->20	P	XL 1200 NS IRON	19->20	P
XL 883 R ROADSTER	14->15	P	XL 1200 R SPORTSTER ROADSTER	18	P
XL 1200 C SPORTSTER CUSTOM CA/CB	14->19	P	XL 1200 SPORTSTER	14->17	P
			XL 1200 T SUPER LOW	15->19	P
			XL 1200 V SEVENTY TWO	14->16	P
			XL 1200 X FORTY EIGHT 115TH ANNIVERSARY	18	P
			XL 1200 X FORTY EIGHT	14->20	P
			XL 1200 XS FORTY EIGHT SPECIAL	18->19	P

FD0542

SH

D1 (mm): 82x42x9,9 (lxhxsp.)



HARLEY DAVIDSON

	Year	A/P
FLDE 1745 SOFTAIL DELUXE	18->20	P
FLFB 1745 FAT BOY	18->19	P
FLHC 1745 HERITAGE CLASSIC	18->20	P
FLSB 1745 SPORT GLIDE	18->20	P
FLSL 1745 SOFTAIL SLIM	18->20	P

FXBB 1745 STREET BOB	18->20	P
FXBR 1745 BREAKOUT	18->19	P
FXFB 1745 FAT BOB	18->19	P
FXLR 1745 LOW RIDER	18->20	P
FLFBS 1868 FAT BOY	18->20	P
FLHCS 1868 HERITAGE CLASSIC	18->20	P

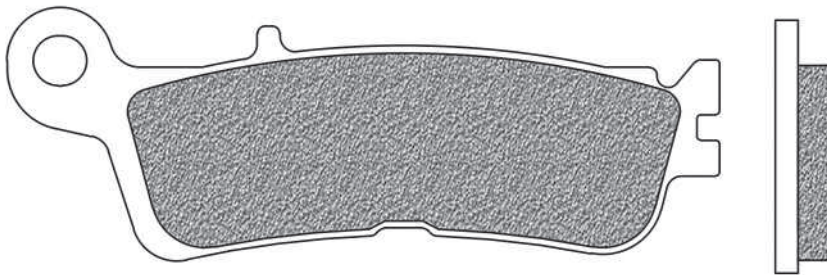
FXBRS 1868 BREAKOUT	18->20	P
FXDRS 1868 SOFTAIL FXDR	19->20	P
FXFBS 1868 FAT BOB	18->20	P

FD0543

SD

X01

D1 (mm): 94x33x7,5 (lxhxsp.)

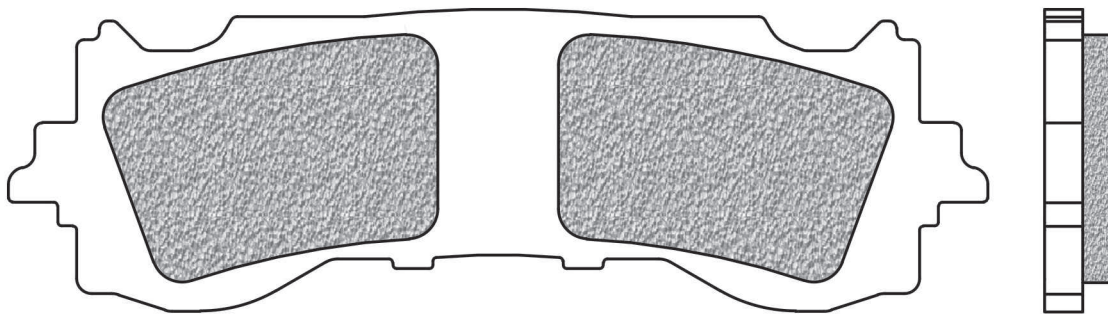


YAMAHA	Year	A/P
YZ-F 450	20	A

FD0544

TS

D1 (mm): 129,3x40x8,9 (lxhxsp.)



HONDA

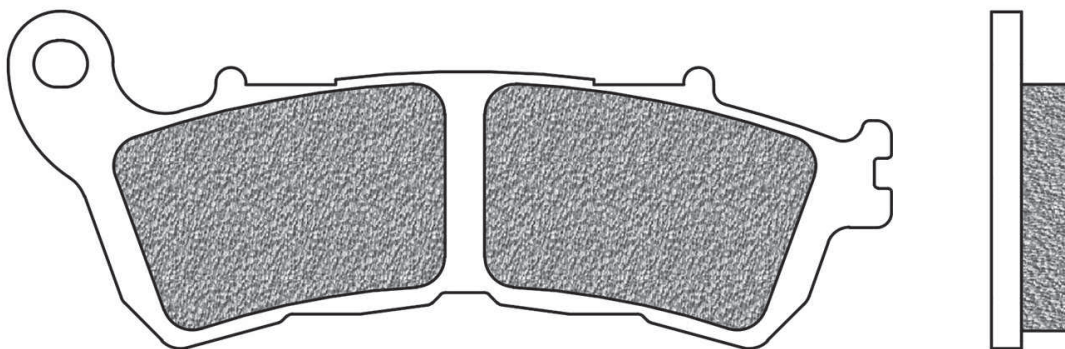
	Year	A/P
GL 1800 GOLDWING	18->20	A
GL 1800 GOLDWING F6B	18->19	A

FIGURATO PASTIGLIE CON APPLICAZIONI | BRAKE PADS DRAWINGS AND APPLICATIONS | DESSINS PLAQUETTES AVEC APPLICATIONS |
 DISEÑOS PASTILLAS CON RELACION | ZEICHNUNGEN VON BREMSBELÄGE MIT VERWENDUNGSLISTE

FD0545

TS

D1 (mm): 118x45x10,3 (lhxsp.)



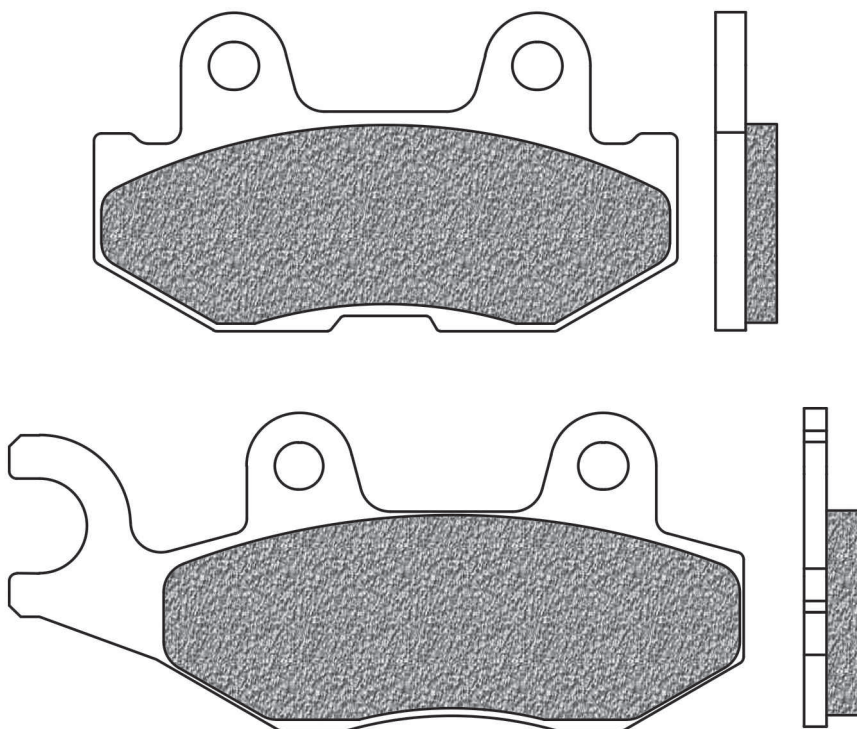
HONDA	Year	A/P
GL 1800 GOLDWING	18->20	P
GL 1800 GOLDWING F6B	18->19	P

FD0546

SV

D1 (mm): 96,8x42x7,6 (lhxsp.)

D2 (mm): 77x42x8,1 (lhxsp.)



YAMAHA	Year	A/P
YXC 700 V1 EPS (dx / right)	15->17	P
YXE 700 WOLVERINE R SPEC WD/WP (dx / right)	16->19	P
YXM 700 VIKING / VI / EPS (dx / right)	14->19	P

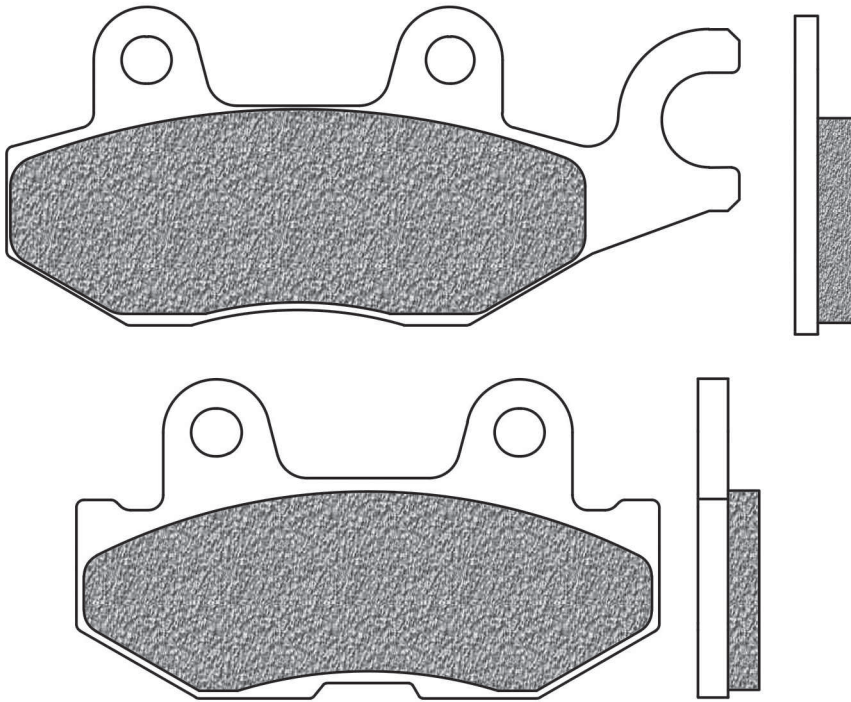
YXF 850 WOLVERINE X2 (dx / right)	19	P
YXF 850 WOLVERINE X2 R SPEC (dx / right)	19	P
YXF 850 WOLVERINE X4 / HUNTER (dx / right)	18->20	P

FD0547

SV

D1 (mm): 96,8x42x7,6 (l x h x sp.)

D2 (mm): 77x42x8,1 (l x h x sp.)



YAMAHA	Year	A/P
YXC 700 V1 EPS (sx / left)	15->17	P
YXE 700 WOLVERINE R SPEC WD/WP (sx / left)	16->19	P
YXM 700 VIKING / VI / EPS (sx / left)	14->19	P
YXF 850 WOLVERINE X2 (sx / left)	19	P
YXF 850 WOLVERINE X2 R SPEC (sx / left)	19	P
YXF 850 WOLVERINE X4 / HUNTER (sx / left)	18->20	P

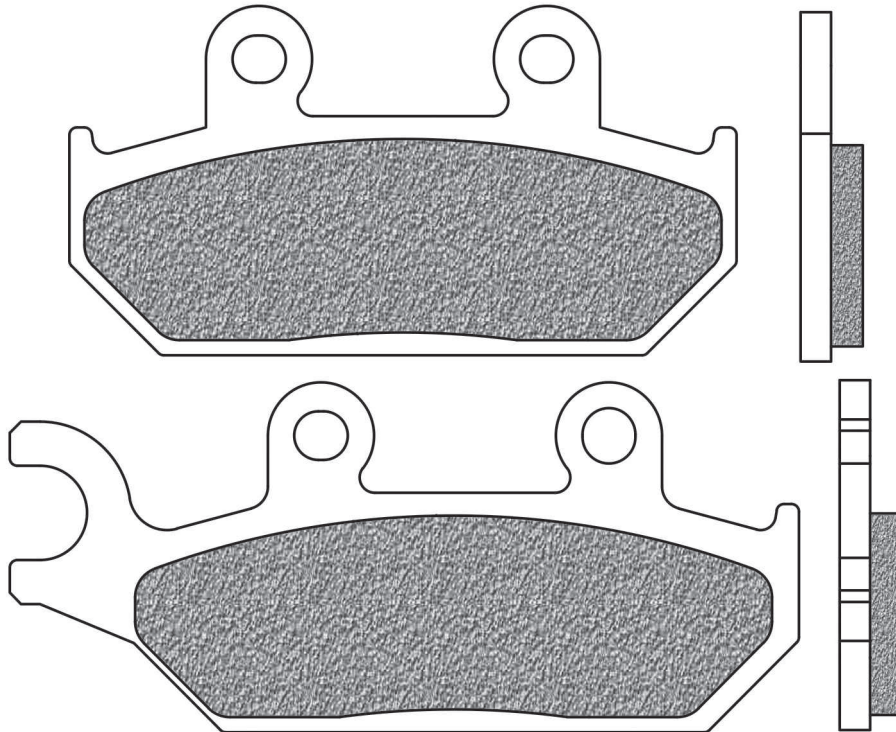
FIGURATO PASTIGLIE CON APPLICAZIONI | BRAKE PADS DRAWINGS AND APPLICATIONS | DESSINS PLAQUETTES AVEC APPLICATIONS |
DISEÑOS PASTILLAS CON RELACION | ZEICHNUNGEN VON BREMSBELÄGE MIT VERWENDUNGSLISTE

FD0548

SV

D1 (mm): 104,2x46x8,2 (l x h x sp.)

D2 (mm): 88,1x46x8,2 (l x h x sp.)



CAN AM	Year	A/P
COMMANDER 800 MAX R DPS (dx / right)	16->20	A
COMMANDER 1000 MAX R DPS / XT / LTD (dx / right)	14->20	A
COMMANDER 1000 R DPS / XT	20	A
MAVERICK 1000 MAX STD (dx/right)	14->15	A
MAVERICK 1000 XDS-DPS (dx / right)	15	A

YAMAHA	Year	A/P
YXC 700 V1 EPS (dx / right)	15->17	A
YXE 700 WOLVERINE R SPEC WD/WP (dx / right)	16->19	A
YXM 700 VIKING / VI / EPS (dx / right)	14->19	A
YXF 850 WOLVERINE X2 (dx / right)	19	A
YXF 850 WOLVERINE X2 R SPEC (dx / right)	19	A
YXF 850 WOLVERINE X4 / HUNTER (dx / right)	18->20	A

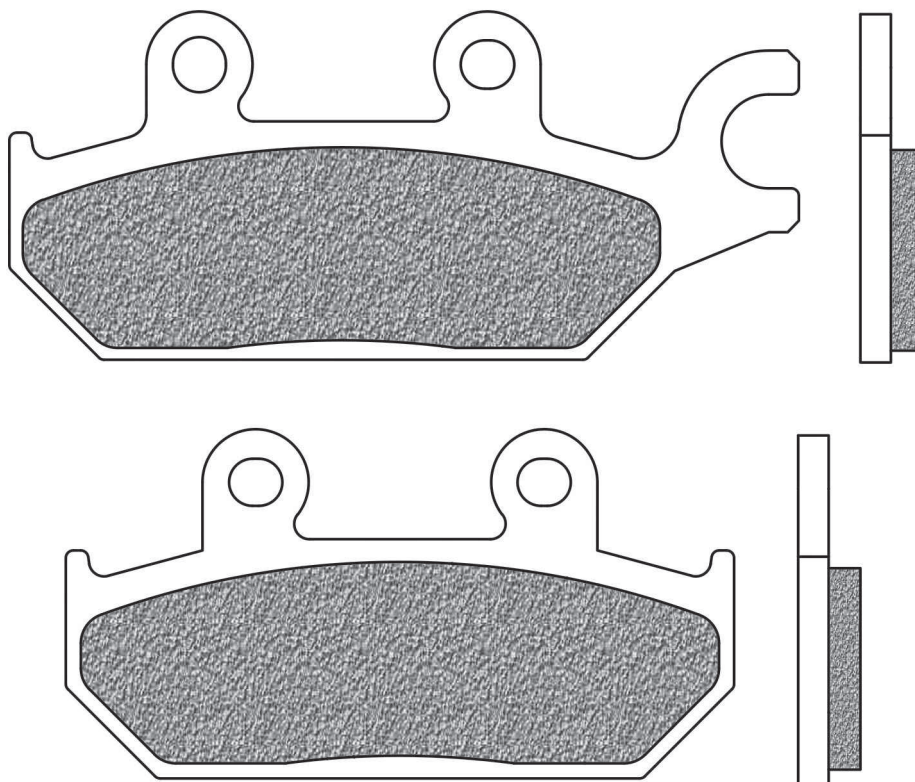


FD0549

SV

D1 (mm): 104,2x46x8,2 (lhxsp.)

D2 (mm): 88,1x46x8,2 (lhxsp.)



CAN AM	Year	A/P
COMMANDER 800 MAX R DPS (sx / left)	16->20	A
COMMANDER 1000 MAX R DPS / XT / LTD (sx / left)	14->20	A
COMMANDER 1000 R DPS / XT	20	A
MAVERICK 1000 MAX STD (sx/left)	14->15	A
MAVERICK 1000 XDS-DPS (sx/left)	15	A

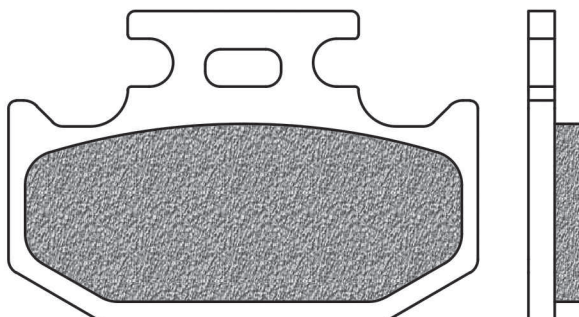
YAMAHA	Year	A/P
YXC 700 V1 EPS (sx / left)	15->17	A
YXE 700 WOLVERINE R SPEC WD/WP (sx / left)	16->19	A
YXM 700 VIKING / VI / EPS (sx / left)	14->19	A
YXF 850 WOLVERINE X2 (sx / left)	19	A
YXF 850 WOLVERINE X2 R SPEC (sx / left)	19	A

YXF 850 WOLVERINE X4 / HUNTER (sx / left) 18->20 A

FD0550

SV

D1 (mm): 62x41x7 (lhxsp.)



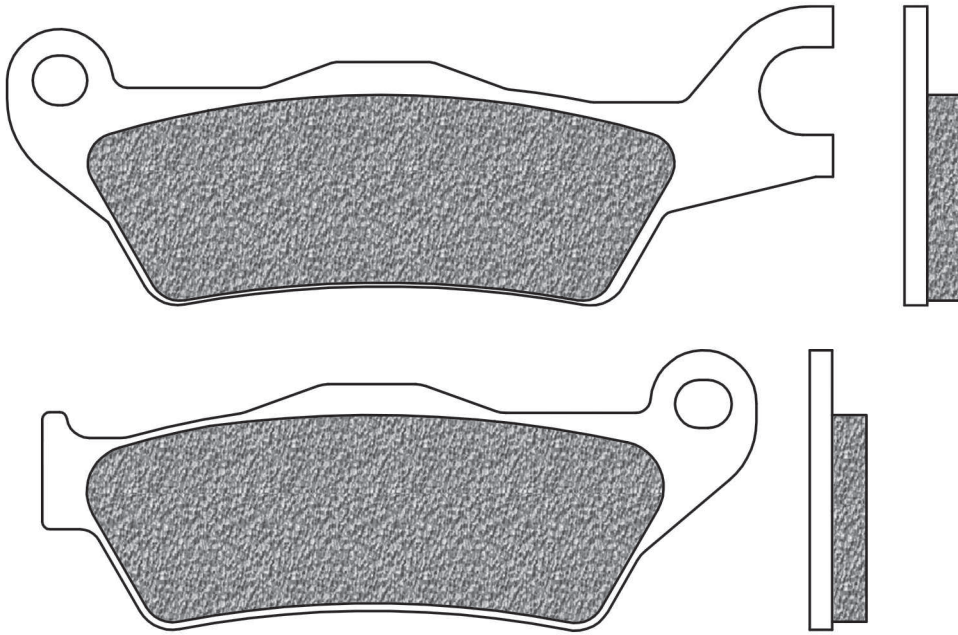
YAMAHA	Year	A/P
YXC 700 V1 EPS (dx / right)	15->17	
YXE 700 WOLVERINE R SPEC WD/WP (dx / right)	16->19	
YXM 700 VIKING / VI / EPS (dx / right)	14->19	
YXR 700 F RHINO	08->14	
YXF 850 WOLVERINE X2 (dx / right)	19	
YXF 850 WOLVERINE X2 R SPEC (dx / right)	19	
YXF 850 WOLVERINE X4 / HUNTER (dx / right)	18->20	

FD0551

TS

D1 (mm): 109x39,4x7,6 (lxhvsp.)

D2 (mm): 94,3x37x7,6 (lxhvsp.)



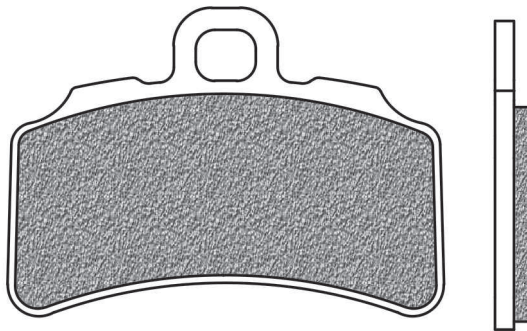
SUZUKI	Year	A/P
GSX-R 125	17->20	A
GSX-S 125	17->20	A

_____	_____
_____	_____

FD0552

SD

D1 (mm): 57,5x41x5 (lxhvsp.)



GAS GAS	Year	A/P
TXT 125 GP	19->20	A
TXT 125 RACING	19->20	A
TXT 250 GP	19->20	A
TXT 250 RACING	19->20	A
TXT 280 GP	19->20	A

TXT 280 RACING	19->20	A
TXT 300 GP	19->20	A
TXT 300 RACING	19->20	A

TRS	Year	A/P
TRRS 125 ONE	19->20	A

TRRS 125 ONE RR	19->20	A
TRRS 250 ONE RR	19->20	A
TRRS 280 ONE RR	19->20	A
TRRS 300 ONE RR	19->20	A

_____	_____
_____	_____

FIGURATO PASTIGLIE CON APPLICAZIONI | BRAKE PADS DRAWINGS AND APPLICATIONS | DESSINS PLAQUETTES AVEC APPLICATIONS |
DISEÑOS PASTILLAS CON RELACION | ZEICHNUNGEN VON BREMSBELÄGE MIT VERWENDUNGSLISTE

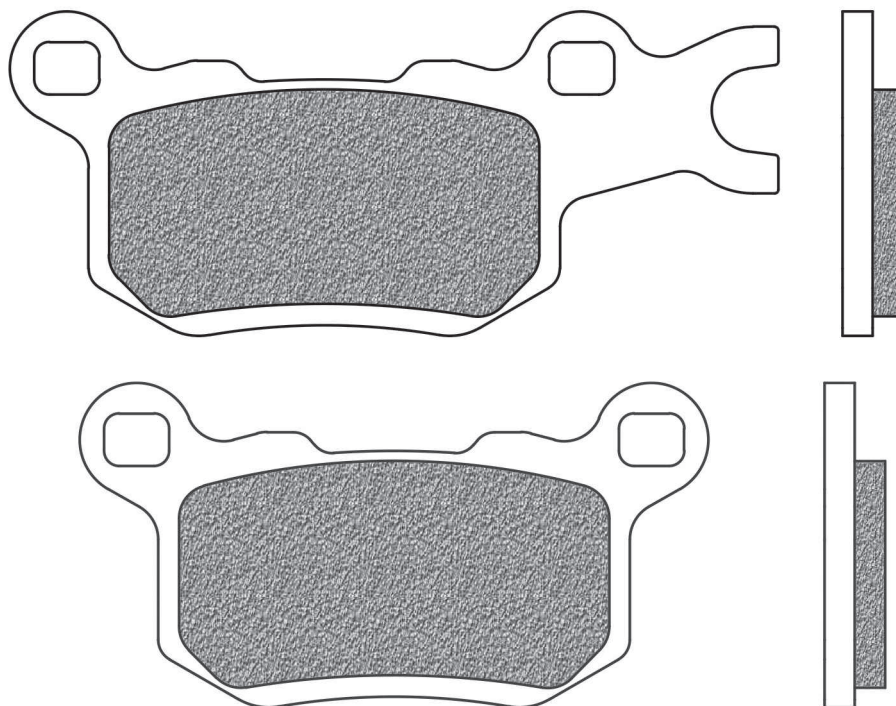


FD0553

SV

D1 (mm): 101,5x43x8 (lhxsp.)

D2 (mm): 83x43x8 (lhxsp.)



CAN AM	Year	A/P
DEFENDER 800 HD8 all models (sx / left)	16->20	P
TRAXTER 800 HD8 (sx / left)	16->20	P
TRAXTER 800 HD8 T (sx / left)	17	P

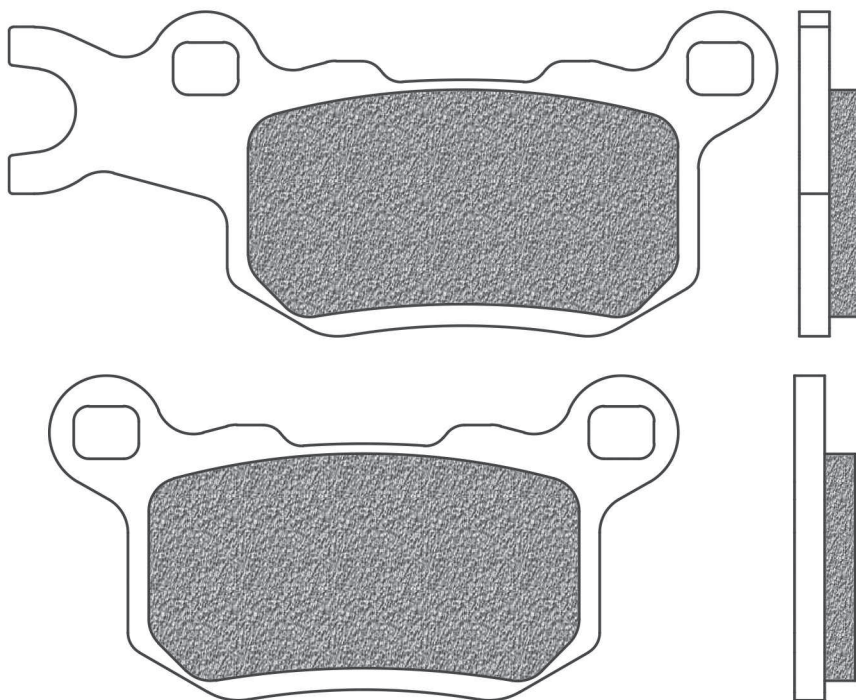
TRAXTER MAX 800 HD8 MAX (sx / left)	17	P
DEFENDER 1000 HD10 all models (sx/left)	16->20	P
TRAXTER 1000 HD10 (sx/left)	17->20	P
TRAXTER 1000 HD10 XMR (sx/left)	18	P

FD0554

SV

D1 (mm): 101,5x43x8 (lhxsp.)

D2 (mm): 83x43x8 (lhxsp.)

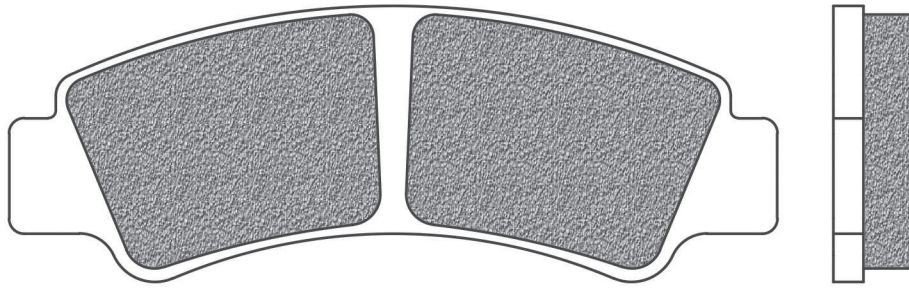


CAN AM	Year	A/P
DEFENDER 800 HD8 all models (dx / right)	16->20	P
TRAXTER 800 HD8 (dx / right)	16->20	P
TRAXTER 800 HD8 T (dx / right)	17	P
TRAXTER MAX 800 HD8 MAX (dx / right)	17	P
DEFENDER 1000 HD10 all models (dx/right)	16->20	P
TRAXTER 1000 HD10 (dx/right)	17->20	P
TRAXTER 1000 HD10 XMR (dx/right)	18	P

FD0555

SV

D1 (mm): 101,5x36x10,8 (lxhxsp.)



CF MOTO	Year	A/P
C FORCE 400 S	18->20	A
C FORCE 500 H0 2 UP	18	A
C FORCE 500 S SWB	18->19	A
U FORCE 500	18->19	A
Z FORCE 500 TRIAL	18->20	A

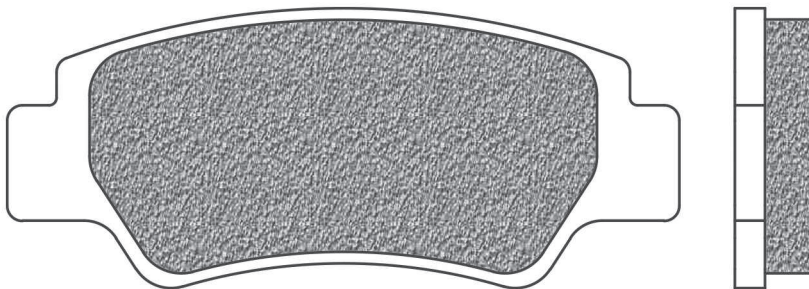
C FORCE 600 EPS	19->20	A
C FORCE 800 XC SPS	19	A
U FORCE 800	18->20	A
Z FORCE 800 EX	18->20	A
Z FORCE 800 TRIAL	18->19	A
C FORCE 1000	18->20	A

U FORCE 1000	18->20	A
Z FORCE 1000	18->20	A

FD0556

SV

D1 (mm): 88,8x36,9x10,8 (lxhxsp.)



CF MOTO	Year	A/P
U FORCE 500	18->19	P
Z FORCE 500 TRIAL	18->20	P
C FORCE 800 XC SPS	19	P
U FORCE 800	18->20	P
Z FORCE 800 EX	18->20	P
Z FORCE 800 TRIAL	18->19	P
C FORCE 1000	18->20	P
U FORCE 1000	18->20	P
Z FORCE 1000	18->20	P

FIGURATO PASTIGLIE CON APPLICAZIONI | BRAKE PADS DRAWINGS AND APPLICATIONS | DESSINS PLAQUETTES AVEC APPLICATIONS
DISEÑOS PASTILLAS CON RELACION | ZEICHNUNGEN VON BREMSBELÄGE MIT VERWENDUNGSLISTE

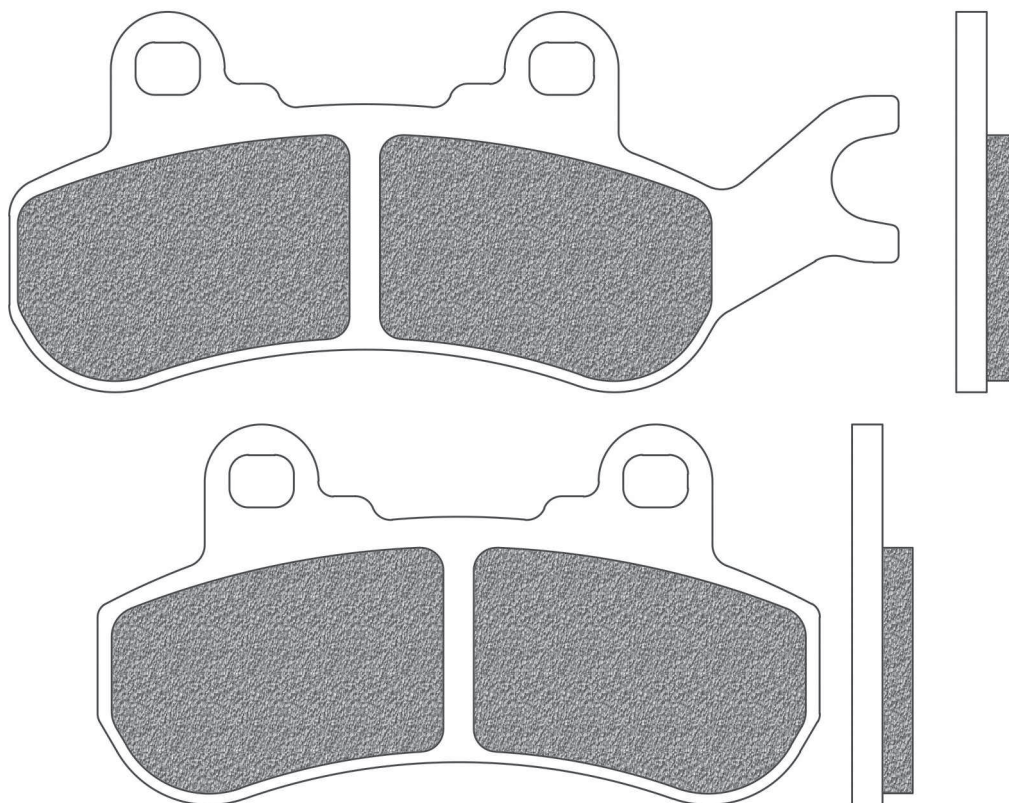


FD0557

SV

D1 (mm): 117,4x50,3x8 (lxhxsp.)

D2 (mm): 95,3x50,3x8 (lxhxsp.)



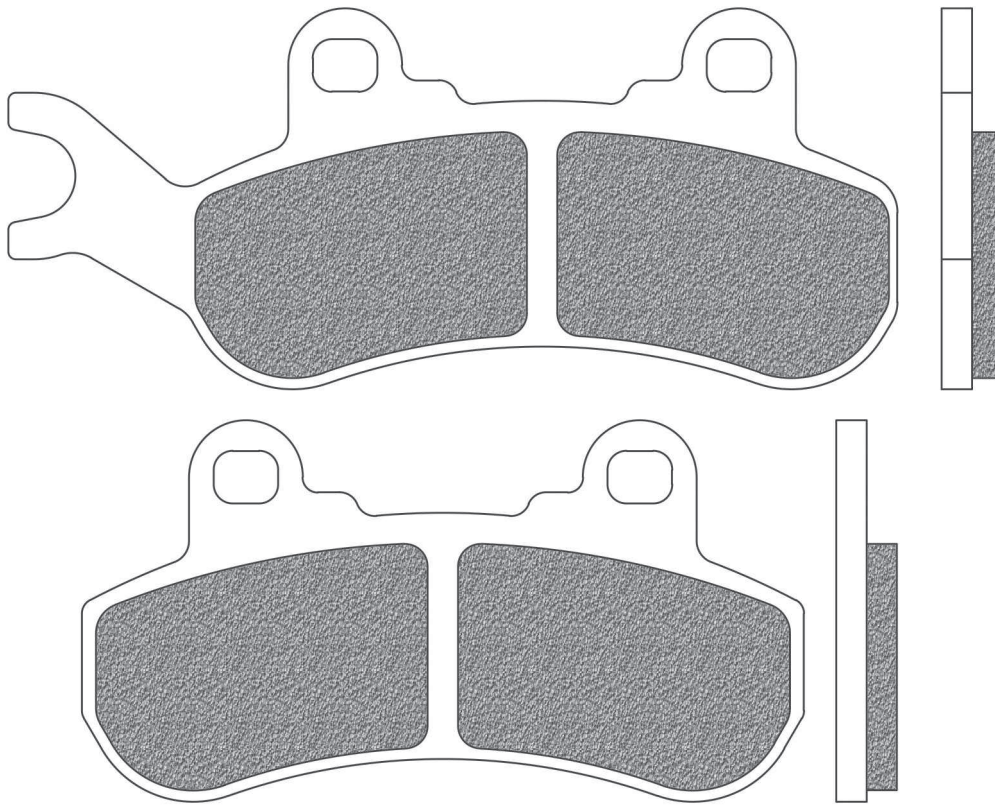
CAN AM		Year	A/P						
DEFENDER 800 HD8 all models (sx / left)		16->20	A	TRAXTER 800 HD8 T (sx / left)	17	A	DEFENDER 1000 HD10 all models (sx/left)	16->20	A
TRAXTER 800 HD8 (sx / left)		16->20	A	TRAXTER MAX 800 HD8 MAX (sx / left)	17	A	TRAXTER 1000 HD10 (sx/left)	17->20	A
				X3 900 all models (sx / left)	17->19	A	TRAXTER 1000 HD10 XMR (sx/left)	18	A

FD0558

SV

D1 (mm): 117,4x50,3x8 (lxhxsp.)

D2 (mm): 95,3x50,3x8 (lxhxsp.)



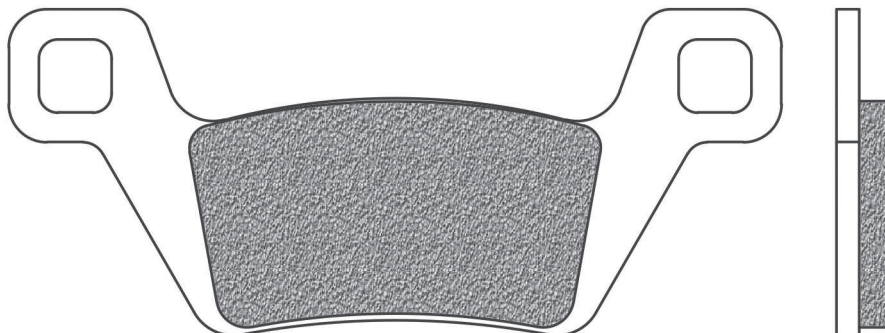
FIGURATO PASTIGLIE CON APPLICAZIONI | BRAKE PADS DRAWINGS AND APPLICATIONS | DESSINS PLAQUETTES AVEC APPLICATIONS |
DISEÑOS PASTILLAS CON RELACION | ZEICHNUNGEN VON BREMSBELÄGE MIT VERWENDUNGSLISTE

CAN AM	Year	A/P			
DEFENDER 800 HD8 all models (dx / right)	16->20	A	TRAXTER MAX 800 HD8 MAX (dx / right)	17	A
TRAXTER 800 HD8 (dx / right)	16->20	A	X3 900 all models (dx / right)	17->19	A
TRAXTER 800 HD8 T (dx / right)	17	A	DEFENDER 1000 HD10 all models (dx/right)	16->20	A
			TRAXTER 1000 HD10 (dx/right)	17->20	A

FD0559

SV

D1 (mm): 102x43x7,8 (lxhxsp.)

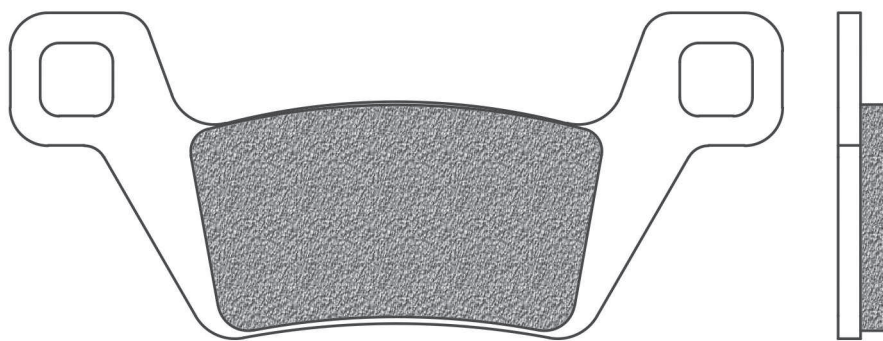


KYMCO	Year	A/P			
MXU 500 i DX	12->13	A	MXU 700	19	A
MXU 550 i	12->20	A	MXU 700 i	13->18	A
			MXU 700 i EX	19	A

FD0560

SV

D1 (mm): 102x43x7 (lhxsp.)

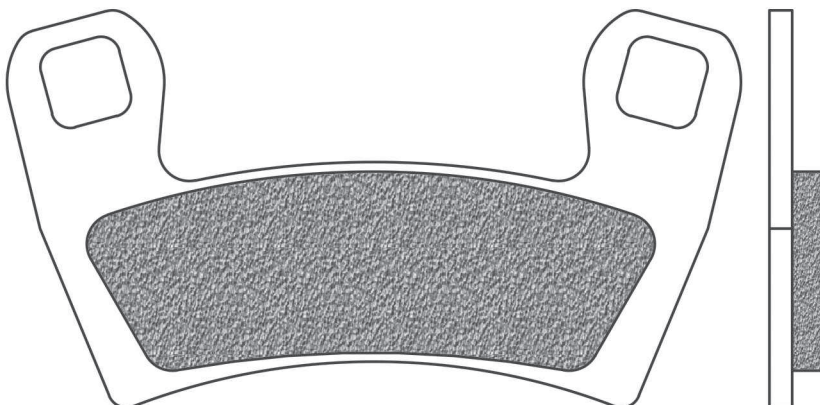


KYMCO	Year	A/P			
MAXXER 450 RI	12->15	P	MXU 550 i	12->20	P
MXU 450 i	12->13	P	MXU 700 i	13->18	P
			UXV 700 i	14->15	P

FD0561

SV

D1 (mm): 97x52,2x7,5 (lhxsp.)

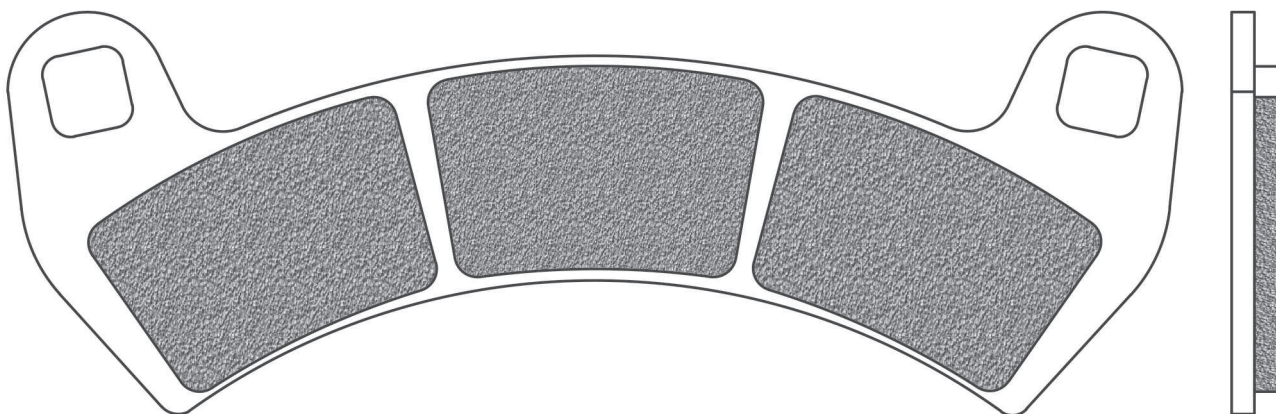


POLARIS	Year	A/P
RZR 900 50"	15->20	A
RZR S 900 60"	15->20	A
RZR 1000 60" all options	16->20	A
RZR S 1000 (2 seat) / 60" WIDTH	19->20	A

FD0562

SV

D1 (mm): 155x53x6,9 (lhxsp.)

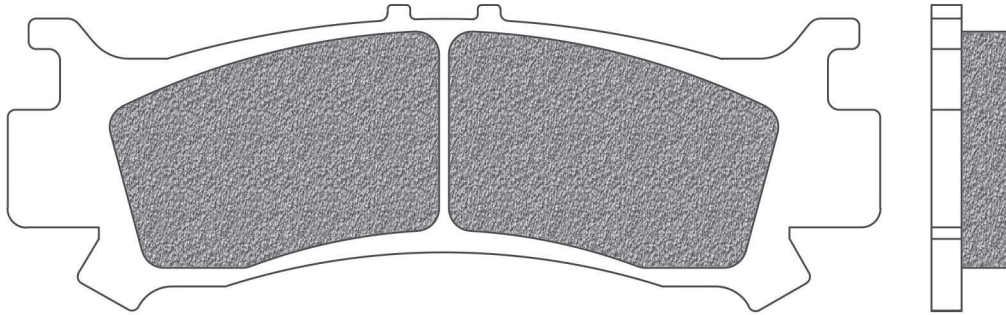


POLARIS	Year	A/P			
RZR 925 TURBO PRO XP	20	A	RZR XP 4 925 TURBO / MD	16->20	A
RZR XP 925 TURBO / MD / TRACTOR / S	16->20	A	RZR 925 XP TURBO S VELOCITY	20	A

FD0563

SV

D1 (mm): 115,2x42,2x10,9 (lhxhvsp.)

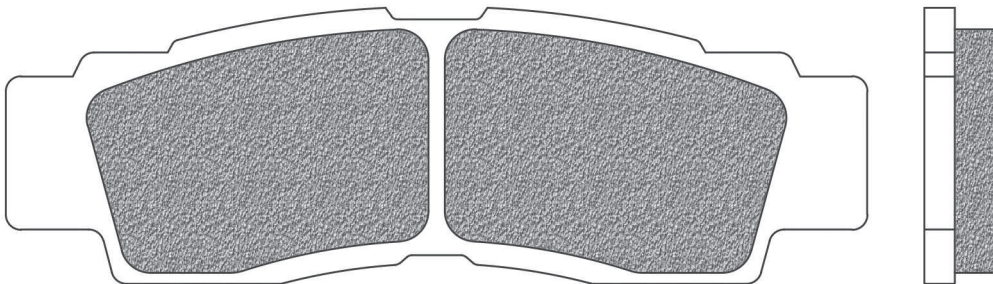


HONDA	Year	A/P			
SXS 1000 PIONEER (all models)	16->20	A	SXS 1000 TALON R/X (2 seater)	19->20	A
			SXS 1000 TALON X-4 (4 seater)	20	A

FD0564

SV

D1 (mm): 113,8x36,9x9,8 (lhxhvsp.)



YAMAHA	Year	A/P			
YZZ 1000 R (all models)	16->20	A			

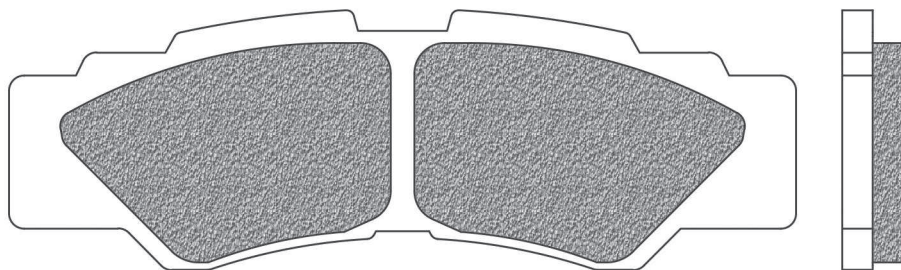
FIGURATO PASTIGLIE CON APPLICAZIONI | BRAKE PADS DRAWINGS AND APPLICATIONS | DESSINS PLAQUETTES AVEC APPLICATIONS
 DISEÑOS PASTILLAS CON RELACION | ZEICHNUNGEN VON BREMSBELÄGE MIT VERWENDUNGSLISTE



FD0565

SV

D1 (mm): 103,9x34,2x8,9 (lhxhsp.)



YAMAHA

YZZ 1000 R (all models)

Year

16->20

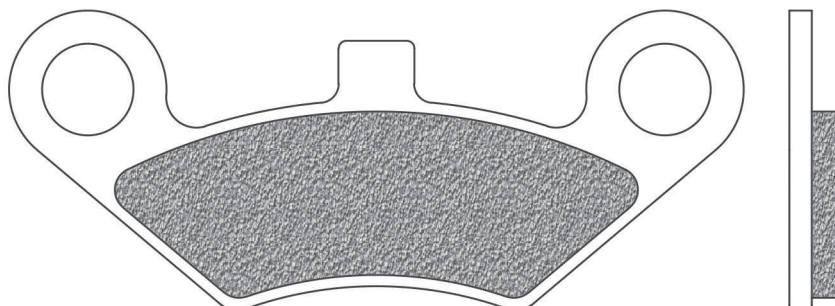
A/P

P

FD0566

SV

D1 (mm): 97x39,4x7 (lhxhsp.)



CF MOTO

C FORCE 400

Year

14->17

A/P

A

C FORCE 450 L

16

A

TERRALANDER 450

12->13

A

C FORCE 500

14->16

A

TERRALANDER 600

12

A

C FORCE 800

14->16

A

TERRALANDER 800

12->13

A

