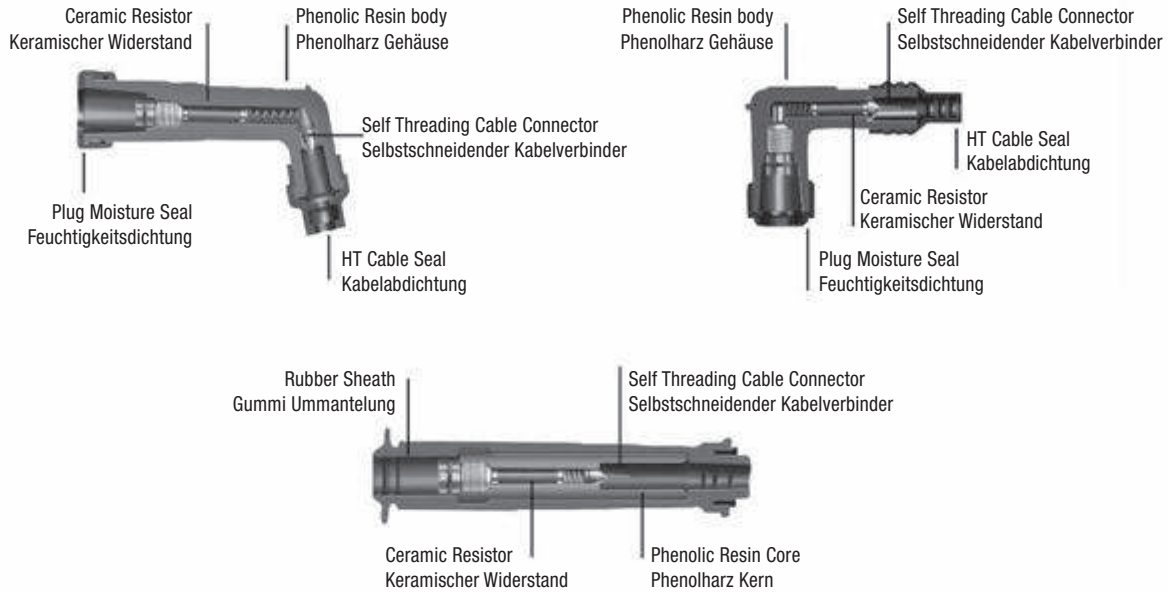


# NGK RESISTOR PLUG COVERS







## COVER SYMBOLS EXPLANATION CHART

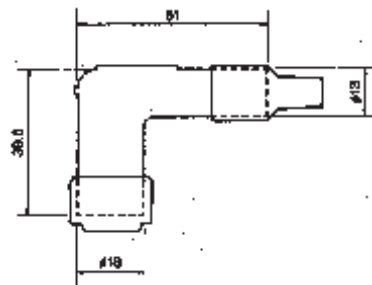
<b>L</b>	<b>B</b>	<b>10</b>	<b>E</b>	<b>H</b>	<b>F</b>																															
<table border="1"> <thead> <tr><th>External appearance</th></tr> </thead> <tbody> <tr><td>L 90° Elbow Type</td></tr> <tr><td>S Straight</td></tr> <tr><td>X 102° Elbow Std.</td></tr> <tr><td>V 120° Elbow (Long)</td></tr> <tr><td>Y 120° Elbow (Short)</td></tr> <tr><td>T T Type</td></tr> </tbody> </table>	External appearance	L 90° Elbow Type	S Straight	X 102° Elbow Std.	V 120° Elbow (Long)	Y 120° Elbow (Short)	T T Type	<table border="1"> <thead> <tr><th>Suitable Ø Plug Thread</th></tr> </thead> <tbody> <tr><td>B 14 mm minimum</td></tr> <tr><td>D 10 &amp; 12 mm</td></tr> <tr><td>Z 10, 12 &amp; 14 mm</td></tr> </tbody> </table>	Suitable Ø Plug Thread	B 14 mm minimum	D 10 & 12 mm	Z 10, 12 & 14 mm	<table border="1"> <thead> <tr><th>Resistance</th></tr> </thead> <tbody> <tr><td>None /</td></tr> <tr><td>01 1 k Ω</td></tr> <tr><td>05 5 k Ω</td></tr> <tr><td>10 10 k Ω</td></tr> </tbody> </table>	Resistance	None /	01 1 k Ω	05 5 k Ω	10 10 k Ω	<table border="1"> <thead> <tr><th>Suitable Terminal Type</th></tr> </thead> <tbody> <tr><td>E Terminal nut or solid post</td></tr> <tr><td>F Terminal stud</td></tr> </tbody> </table>	Suitable Terminal Type	E Terminal nut or solid post	F Terminal stud	<table border="1"> <thead> <tr><th>Special Feature</th></tr> </thead> <tbody> <tr><td>A Special design</td></tr> <tr><td>H Compact type</td></tr> <tr><td>P Special waterproof cover</td></tr> <tr><td>K Silicon waterproof cover</td></tr> <tr><td>M Rubber sheathed</td></tr> <tr><td>G With rubber grommet</td></tr> <tr><td>R Racing</td></tr> <tr><td>F For Ø 5mm HT cable</td></tr> <tr><td>L Inductive resistor type</td></tr> <tr><td>Y With handle</td></tr> <tr><td>Z Special design</td></tr> </tbody> </table>	Special Feature	A Special design	H Compact type	P Special waterproof cover	K Silicon waterproof cover	M Rubber sheathed	G With rubber grommet	R Racing	F For Ø 5mm HT cable	L Inductive resistor type	Y With handle	Z Special design	
External appearance																																				
L 90° Elbow Type																																				
S Straight																																				
X 102° Elbow Std.																																				
V 120° Elbow (Long)																																				
Y 120° Elbow (Short)																																				
T T Type																																				
Suitable Ø Plug Thread																																				
B 14 mm minimum																																				
D 10 & 12 mm																																				
Z 10, 12 & 14 mm																																				
Resistance																																				
None /																																				
01 1 k Ω																																				
05 5 k Ω																																				
10 10 k Ω																																				
Suitable Terminal Type																																				
E Terminal nut or solid post																																				
F Terminal stud																																				
Special Feature																																				
A Special design																																				
H Compact type																																				
P Special waterproof cover																																				
K Silicon waterproof cover																																				
M Rubber sheathed																																				
G With rubber grommet																																				
R Racing																																				
F For Ø 5mm HT cable																																				
L Inductive resistor type																																				
Y With handle																																				
Z Special design																																				



## ERKLÄRUNG DER KURZZEICHEN

<b>L</b>	<b>B</b>	<b>10</b>	<b>E</b>	<b>H</b>	<b>F</b>																															
<table border="1"> <thead> <tr><th>Bauart</th></tr> </thead> <tbody> <tr><td>L 90° Winkel</td></tr> <tr><td>S 0° Gerade</td></tr> <tr><td>X 102° Winkel</td></tr> <tr><td>V 120° Winkel (lang)</td></tr> <tr><td>Y 120° Winkel (kurz)</td></tr> <tr><td>T T-Typ</td></tr> </tbody> </table>	Bauart	L 90° Winkel	S 0° Gerade	X 102° Winkel	V 120° Winkel (lang)	Y 120° Winkel (kurz)	T T-Typ	<table border="1"> <thead> <tr><th>Für Kerzengewinde Durchmesser</th></tr> </thead> <tbody> <tr><td>B 14 mm min.</td></tr> <tr><td>D 10 - 12 mm</td></tr> <tr><td>Z 10 - 12 - 14 mm</td></tr> </tbody> </table>	Für Kerzengewinde Durchmesser	B 14 mm min.	D 10 - 12 mm	Z 10 - 12 - 14 mm	<table border="1"> <thead> <tr><th>Widerstand</th></tr> </thead> <tbody> <tr><td>- /</td></tr> <tr><td>01 1 k Ω</td></tr> <tr><td>05 5 k Ω</td></tr> <tr><td>10 10 k Ω</td></tr> </tbody> </table>	Widerstand	- /	01 1 k Ω	05 5 k Ω	10 10 k Ω	<table border="1"> <thead> <tr><th>Für Anschluß Zündkerze</th></tr> </thead> <tbody> <tr><td>E SAE Anschlußmutter oder integriertem Anschluß</td></tr> <tr><td>F M4 Anschlußgewinde</td></tr> </tbody> </table>	Für Anschluß Zündkerze	E SAE Anschlußmutter oder integriertem Anschluß	F M4 Anschlußgewinde	<table border="1"> <thead> <tr><th>Ausstattung</th></tr> </thead> <tbody> <tr><td>A Spezialausführung</td></tr> <tr><td>H Kompakttyp</td></tr> <tr><td>P mit spezieller wasserdichter Abdeckung</td></tr> <tr><td>K mit wasserdichter Silikonabdeckung</td></tr> <tr><td>M mit Gummi ummantelt</td></tr> <tr><td>G mit Gummihülse</td></tr> <tr><td>R Racing</td></tr> <tr><td>F für Zündleitungen mit 5 mm Ø</td></tr> <tr><td>L mit Induktionswiderstand</td></tr> <tr><td>Y mit Griff</td></tr> <tr><td>Z Spezialausführung</td></tr> </tbody> </table>	Ausstattung	A Spezialausführung	H Kompakttyp	P mit spezieller wasserdichter Abdeckung	K mit wasserdichter Silikonabdeckung	M mit Gummi ummantelt	G mit Gummihülse	R Racing	F für Zündleitungen mit 5 mm Ø	L mit Induktionswiderstand	Y mit Griff	Z Spezialausführung	
Bauart																																				
L 90° Winkel																																				
S 0° Gerade																																				
X 102° Winkel																																				
V 120° Winkel (lang)																																				
Y 120° Winkel (kurz)																																				
T T-Typ																																				
Für Kerzengewinde Durchmesser																																				
B 14 mm min.																																				
D 10 - 12 mm																																				
Z 10 - 12 - 14 mm																																				
Widerstand																																				
- /																																				
01 1 k Ω																																				
05 5 k Ω																																				
10 10 k Ω																																				
Für Anschluß Zündkerze																																				
E SAE Anschlußmutter oder integriertem Anschluß																																				
F M4 Anschlußgewinde																																				
Ausstattung																																				
A Spezialausführung																																				
H Kompakttyp																																				
P mit spezieller wasserdichter Abdeckung																																				
K mit wasserdichter Silikonabdeckung																																				
M mit Gummi ummantelt																																				
G mit Gummihülse																																				
R Racing																																				
F für Zündleitungen mit 5 mm Ø																																				
L mit Induktionswiderstand																																				
Y mit Griff																																				
Z Spezialausführung																																				

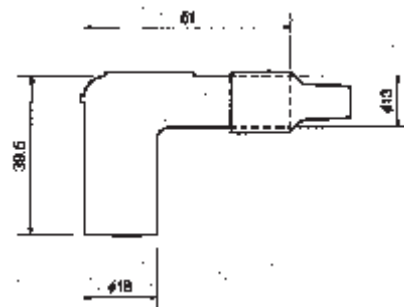
Basic	Type	Stock-No.	Colour	R [kΩ]	Ø [mm]	Terminal
LB	LB - E	8302	black	/	14	
	LB01E	8011	black	1		
	LB05E - R	8898	red	5		
	LB05E	8031	black	5		
	LB10E	8349	black	10		
	LB - F	8309	black	/		
	LB01F	8330	black	1		
	LB01FF	8331	black	1		
	LB05F	8051	black	5		
	LB05F - R	8854	red	5		
	LB05FF	30326	black	5		
	LB10F	8358	black	10		
	LB10FF	8359	black	10		
LD	LD05E	6902	black	5	10-12	
	LD - F	8311	black	/		
	LD01F	8362	black	1		
	LD05F - R	8231	red	5		
	LD05F	8060	black	5		
	LD10F	8997	black	10		




Phenolic Resin




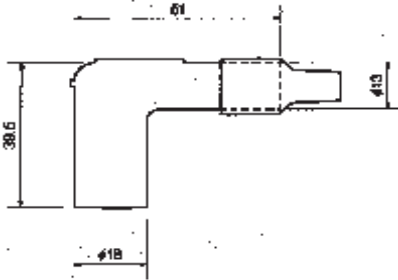





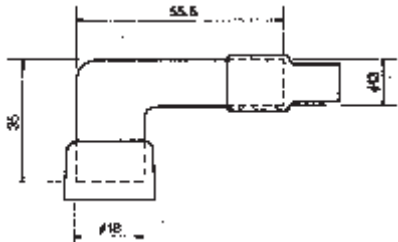
Basic	Type	Stock-No.	Colour	R [kΩ]	Ø [mm]	Terminal
LB	LB01EP	8328	black	1	14	
	LB05EP	8020	black	5		
	LB - EPK	8304	black	/		
	LB05EPK	8342	black	5		
	LB01FP	8088	black	1		
	LB05FP	8030	black	5		
LD	LD05FP	8070	black	5	10 - 12	




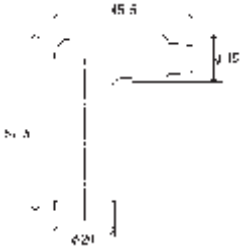
Phenolic Resin



Basic	Type	Stock-No.	Colour	R [kΩ]	 Ø [mm]	Terminal
<b>LZ</b>	LZ05F	8368	black	5	10-12-14	
Phenolic Resin 						

Basic	Type	Stock-No.	Colour	R [kΩ]	 Ø [mm]	Terminal
<b>LB</b>	LB05FG	8346	black	5	14	
Phenolic Resin  						


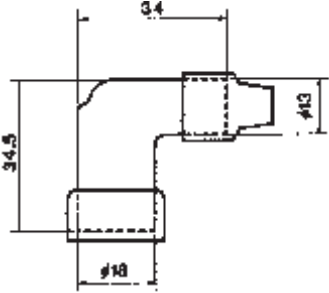
Basic	Type	Stock-No.	Colour	R [kΩ]	 Ø [mm]	Terminal
<b>LB</b>	LB05EZ	8744	black	5	14	
Phenolic Resin  						


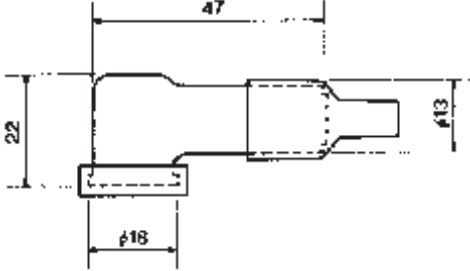
Basic	Type	Stock-No.	Colour	R [kΩ]	 Ø [mm]	Terminal
<b>L</b>	L05EA	6667	black	5		
Phenolic Resin  						


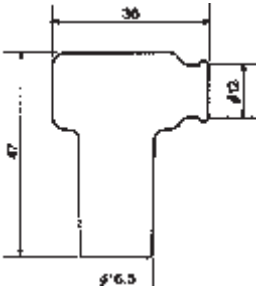
Basic	Type	Stock-No.	Colour	R [kΩ]	Ø [mm]	Terminal
L	L - EH	8301	black	/		
Phenolic Resin						


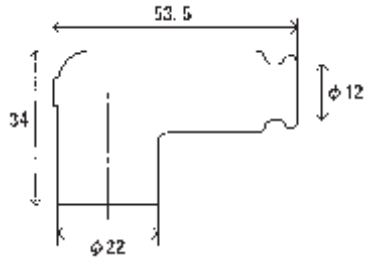
Basic	Type	Stock-No.	Colour	R [kΩ]	Ø [mm]	Terminal
LB	LB01EH	8326	black	1	14	
	LB01EHF	8327	black	1		
	LB05EH	8334	black	5		
	LB05EHF	8336	black	5		
	LB10EH	8351	black	10		
	LB10EHF	8055	black	10		
LD	LD - FH	8313	black	/	10-12	
Phenolic Resin						


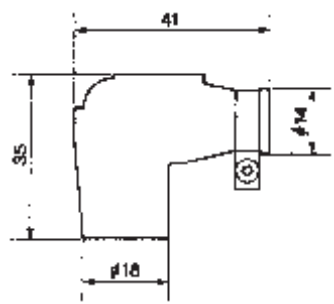
Basic	Type	Stock-No.	Colour	R [kΩ]	Ø [mm]	Terminal
LB	LB10EHAK	8719	black	10	14	
Phenolic Resin						


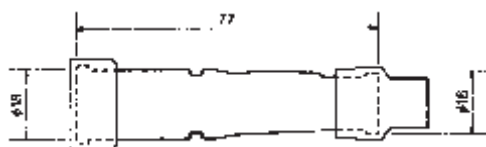
Basic	Type	Stock-No.	Colour	R [kΩ]	Ø [mm]	Terminal
<b>LZ</b>	LZEH	8760	black	/	10-12-14	
	LZFH	8710	black	/		
<p>Phenolic Resin</p> <div style="display: flex; justify-content: space-around; align-items: center;">   </div>						


Basic	Type	Stock-No.	Colour	R [kΩ]	Ø [mm]	Terminal
<b>LC</b>	LC05EFK	8050	black	5	CM6	
<p>Phenolic Resin</p> <div style="display: flex; justify-content: space-around; align-items: center;">   </div>						


Basic	Type	Stock-No.	Colour	R [kΩ]	Ø [mm]	Terminal
<b>LB</b>	LB05EMH	8338	black	5	14	
	LB05EMH - R	8160	red	5		
<p>Rubber sheated</p> <div style="display: flex; justify-content: space-around; align-items: center;">   </div>						

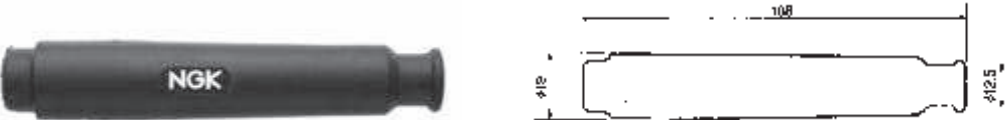
Basic	Type	Stock-No.	Colour	R [kΩ]	Ø [mm]	Terminal
LB	LB05EMHA	8549	red	5	14	
<p>Rubber sheated</p>  						

Basic	Type	Stock-No.	Colour	R [kΩ]	Ø [mm]	Terminal
LB	LBER - B	8308	blue	/	14	
<p>Silikon Rubber</p>  						

Basic	Type	Stock-No.	Colour	R [kΩ]	Ø [mm]	Terminal	
SB	SB01E	8370	black	1	14		
	SB05E	8374	black	5			
	SB10E	8803	black	10			
	SB01F	8372	black	1		10-12	
	SB05F	8080	black	5			
	SB05F - R	8567	red	5			
	SB10F	8387	black	10			
SD	SD05E	6894	black	5	10-12		
	SD01F	8388	black	1			
	SD05F	8022	black	5			
	SD05F - R	8238	red	5			
	SD10F	8394	black	10			
SZ	SZ05F	8396	black	5	10-12-14		
<p>Phenolic Resin</p>  							

Basic	Type	Stock-No.	Colour	R [kΩ]	Ø [mm]	Terminal
<b>SB</b>	SB05FP	8386	black	5	14	⏏
<b>SD</b>	SD05FP	8325	black	5	10 - 12	
Phenolic Resin						
						

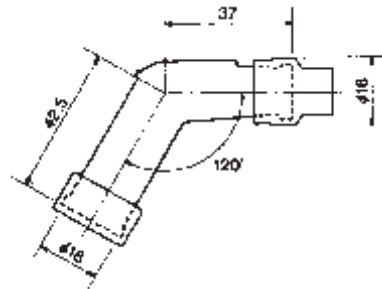
Basic	Type	Stock-No.	Colour	R [kΩ]	Ø [mm]	Terminal
<b>SD</b>	SD05EG	5818	black	5	10-12	⏏
Phenolic Resin						
						

Basic	Type	Stock-No.	Colour	R [kΩ]	Ø [mm]	Terminal
<b>SD</b>	SD05FM	8392	black	5	10-12	⏏
	SD05FM - R	8673	red	5		
Rubber sheathed						
						

Basic	Type	Stock-No.	Colour	R [kΩ]	Ø [mm]	Terminal
<b>SD</b>	SD05FGA	8683	black	5	10-12	⏏
Phenolic Resin						
						
<p>Application: Honda VT 600, XL 600</p>						

Basic	Type	Stock-No.	Colour	R [kΩ]	Ø [mm]	Terminal
VB	VB01E	8405	black	1	14	⌋
	VB05E	8408	black	5		
	VB - F	8913	black	/		
	VB01F	8406	black	1		
	VB05F	8032	black	5		
	VB05F - R	8759	red	5		
	VB10F	8414	black	10		
VD	VD01F	8415	black	1	10-12	⌋
	VD05F	8052	black	5		
	VD05F - R	8376	red	5		
	VD10F	8430	black	10		

Phenolic Resin



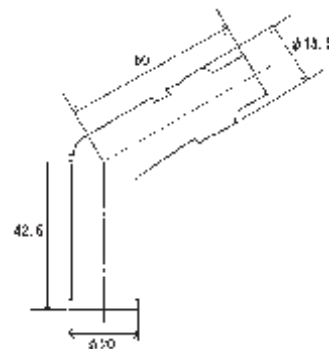
Basic	Type	Stock-No.	Colour	R [kΩ]	Ø [mm]	Terminal
VB	VB05FP	8413	black	5	14	⌋

Phenolic Resin







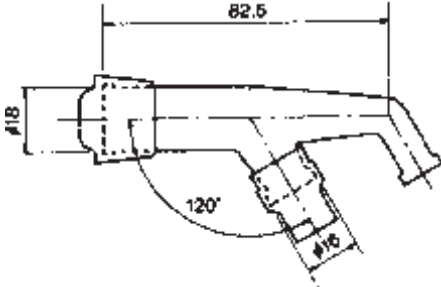
Basic	Type	Stock-No.	Colour	R [kΩ]	Ø [mm]	Terminal
V	V05E	6665	black	5		⌋



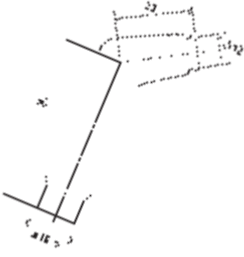
Phenolic Resin

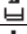


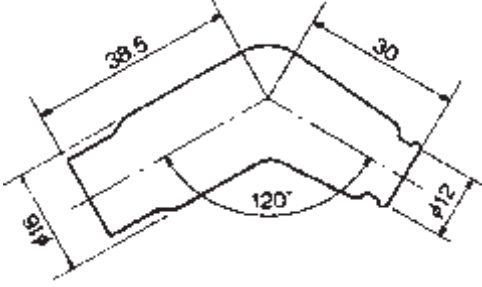



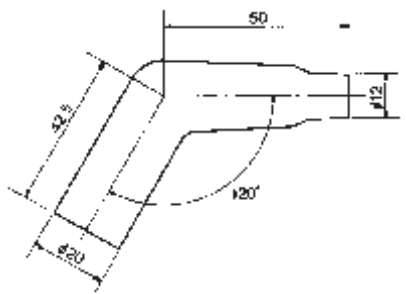



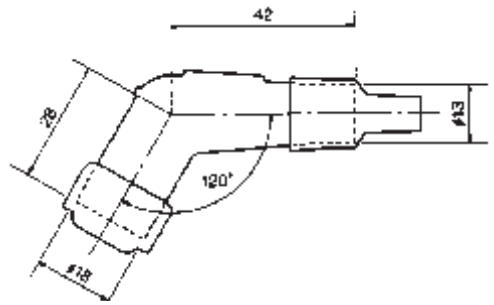
Basic	Type	Stock-No.	Colour	R [kΩ]	Ø [mm]	Terminal
<b>VD</b>	VD05EG	5817	black	5	10-12	
Phenolic Resin						
						


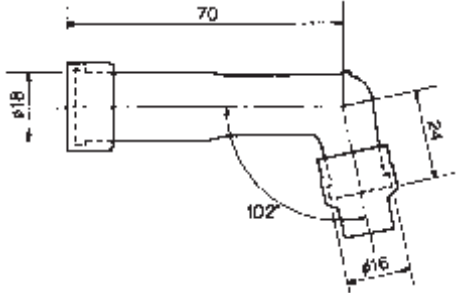
Basic	Type	Stock-No.	Colour	R [kΩ]	Ø [mm]	Terminal
<b>VB</b>	VB05EYK	8411	black	5	14	
Phenolic Resin						
 						

Basic	Type	Stock-No.	Colour	R [kΩ]	Ø [mm]	Terminal
<b>VD</b>	VD05EM	8422	black	5	10-12	
Rubber sheathed						
 						

Basic	Type	Stock-No.	Colour	R [kΩ]	Ø [mm]	Terminal
<b>VD</b>	VD05EMH	7744	black	5	10-12	
	VD05FMH	8425	black	5		
Rubber sheathed						
 						

Basic	Type	Stock-No.	Colour	R [kΩ]	Ø [mm]	Terminal
<b>VD</b>	VD05FML	8427	black	5	10-12	<u>1</u>
Rubber sheathed						
						

Basic	Type	Stock-No.	Colour	R [kΩ]	Ø [mm]	Terminal
<b>YB</b>	YB01F	8446	black	1	14	<u>1</u>
	YB05F	8082	black	5		
	YB05F	8162	red	5		
	YB10F	8449	black	10		
<b>YD</b>	YD01F	8450	black	1	10-12	<u>1</u>
	YD05F	8454	black	5		
	YD05F	8453	red	5		
Phenolic Resin						
						

Basic	Type	Stock-No.	Colour	R [kΩ]	Ø [mm]	Terminal
<b>XB</b>	XB01F	8431	black	1	14	<u>1</u>
	XB05F	8062	black	5		
	XB05F - R	8592	red	5		
	XB10F	8436	black	10		
<b>XD</b>	XD01F	8439	black	1	10-12	<u>1</u>
	XD05F	8072	black	5		
	XD05F - R	8768	red	5		
	XD10F	8442	black	10		
<b>XZ</b>	XZ01F	8443	black	1	10-12-14	<u>1</u>
	XZ05F	8444	black	5		
Phenolic Resin						
						


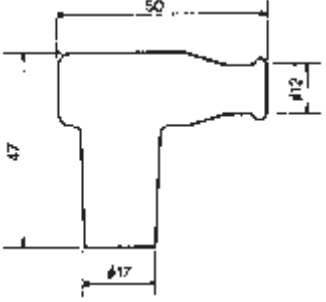
Basic	Type	Stock-No.	Colour	R [kΩ]	Ø [mm]	Terminal
<b>XB</b>	XB05FP	8435	black	5	14	⏚
<b>XD</b>	XD05FP	8641	black	5	10 - 12	

Phenolic Resin




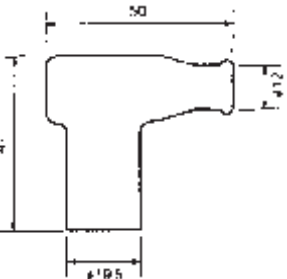
Basic	Type	Stock-No.	Colour	R [kΩ]	Ø [mm]	Terminal
<b>TB</b>	TB05EM - R	8955	red	5	14	⏚
	TB10EM - Y	8404	yellow	10		



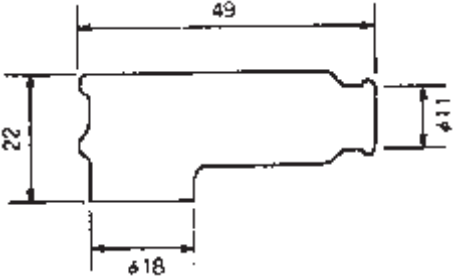
Rubber sheathed



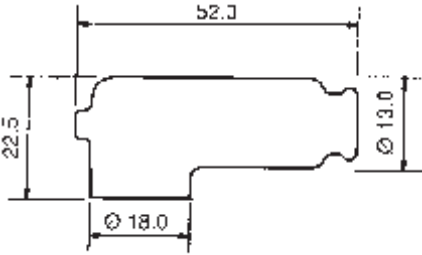





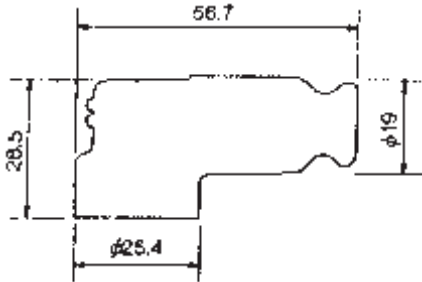
Basic	Type	Stock-No.	Colour	R [kΩ]	Ø [mm]	Terminal
<b>TB</b>	TB05EMA	8636	black	5	14	⏚



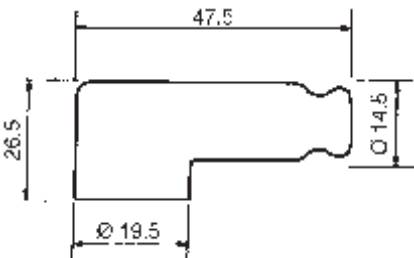
Rubber sheathed





Basic	Type	Stock-No.	Colour	R [kΩ]		Terminal
<b>TB</b>	TRS1225 - B	8787	blue	5	R6120 A/C/M R7282 A/C/M	
<p>Rubber sheathed</p>  						


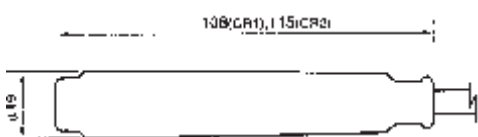
Basic	Type	Stock-No.	Colour	R [kΩ]		Terminal
<b>TB</b>	TRS1233A - R	8929	red	5	R6120 A/C/M R7282 A/C/M	
	TRS1233B - Y	8897	yellow	5		
	TRS1233C - G	8546	green	5		
<p>Rubber sheathed</p>  						

Basic	Type	Stock-No.	Colour	R [kΩ]		Terminal
<b>TB</b>	TRS1408F - B	8871	blue	5	R5300A R5300N	
<p>Rubber sheathed</p>  						

Basic	Type	Stock-No.	Colour	R [kΩ]		Terminal
<b>TB</b>	TRS1409 - R	8733	red	5	R5540F	
<p>Rubber sheathed</p>  						

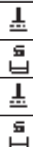
Basic	Type	Stock-No.	Colour	R [kΩ]	Ø [mm]	Terminal
CR	CR1	8035	red	5	10-12-14	
	CR3	8089	red	5		

Rubber sheathed


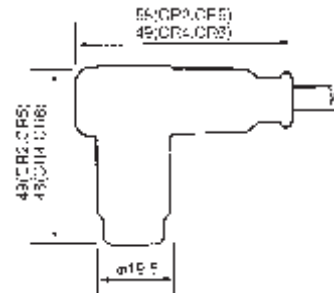



red  
500 mm

CR1: SD05FM CR3: SD05EMK

Basic	Type	Stock-No.	Colour	R [kΩ]	Ø [mm]	Terminal
CR	CR2	8048	red	5	10-12-14	
	CR4	8054	red	5		
	CR5	8515	red	5		
	CR6	8736	red	5		


Rubber sheathed


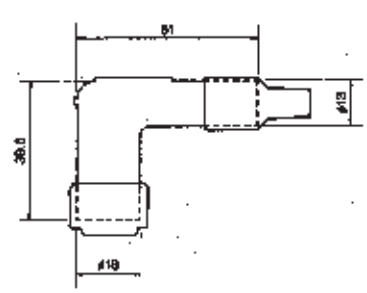
red  
500 mm

red  
1000 mm

CR2: LZ05FM CR4: TB05EMA  
CR5: LZ05FM CR6: TB05EMA


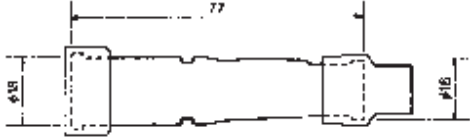
Basic	Type	Stock-No.	Colour	R [kΩ]	Ø [mm]	Terminal
	LY11	8718	red	5	10-12-14	


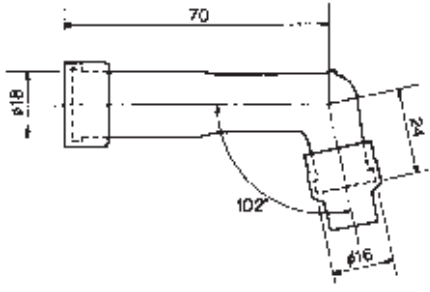
Phenolic Resin


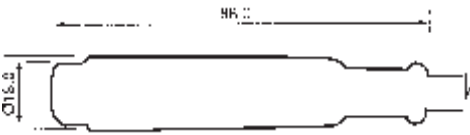





yellow  
500 mm

LZ05F

Basic	Type	Stock-No.	Colour	R [kΩ]	Ø [mm]	Terminal
	SY11	8539	red	5	10-12-14	⏚
Phenolic Resin						
					SZ05F	
<p style="text-align: center;">yellow ↔ 500 mm</p>						

Basic	Type	Stock-No.	Colour	R [kΩ]	Ø [mm]	Terminal
	XY11	8584	red	5	10-12-14	⏚
Phenolic Resin						
					XZ05F	
<p style="text-align: center;">yellow ↔ 500 mm</p>						

Basic	Type	Stock-No.	Colour	R [kΩ]	Ø [mm]	Terminal
	SD05FMC	8393	black	5	10-12	⏚
Rubber sheathed						
					SD05FMC	
<p style="text-align: center;">red ↔ 500 mm</p>						

Basic	Type	Stock-No.	Colour	R [kΩ]	Ø [mm]	Terminal
	RC-X140	5937	black	5	10-12	
<p>Phenolic Resin</p>  <p style="text-align: center;">black ↔ 350 mm</p> <p style="text-align: right;">LD05EAK</p>						

Basic	Type	Stock-No.	Colour	R [kΩ]	Ø [mm]	Terminal
	J-1	8739	black	/		
