

Cafe' Racer



SECTION

5

100 mm Radial CNC Caliper Kit . 484 Code 220B47310

Spare Parts • Ricambi

Spring / Molletta

120225579

Bleeding screw / Vite spurgo

05144011

Bolt / Bocchettone

06222838

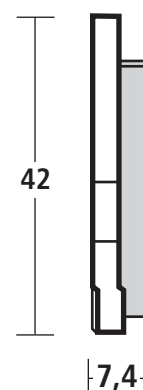
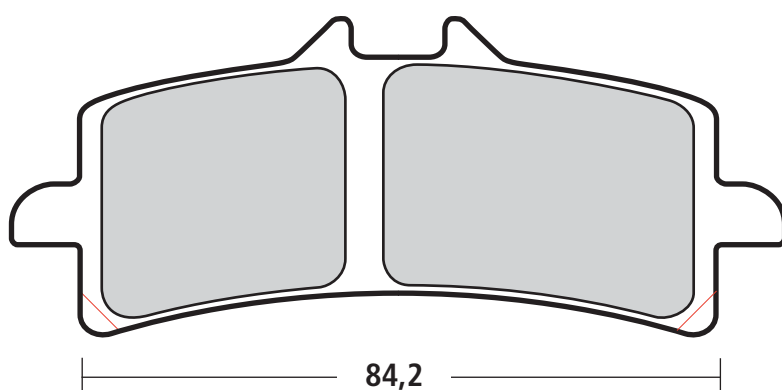
Bleeding screw cover / Cappuccio spurgo

05150210



Technical Characteristics • Caratteristiche Tecniche

Pistons / Pistoni Ø	32 mm.
Construction Material / Materiale	CNC Aluminium / Alluminio CNC
Finishing / Finissaggio	Hard Anodizing / Anodizzazione Dura
Weight (without pads) / Massa (senza pastiglie)	735 gr.
Brake Fluid / Fluido Freni	DOT 4
Hardware / Viteria	Steel / Acciaio
Pistons / Pistoni	Aluminum / Alluminio
Center to Center / Interasse	100 mm.
Offset / Offset	30 mm.



Pads • Pastiglie

Code	Performance	Life
107988210	•	•
Genuine		
07BB3093	+	•
Genuine		

Pads • Pastiglie

Code	Performance	Life
07BB30RC	+	•
RC Compound		
M497Z04	++	+
Z04 Compound		

108 mm Radial CNC Caliper Kit . 484 Code 220B47320



Spare Parts • Ricambi

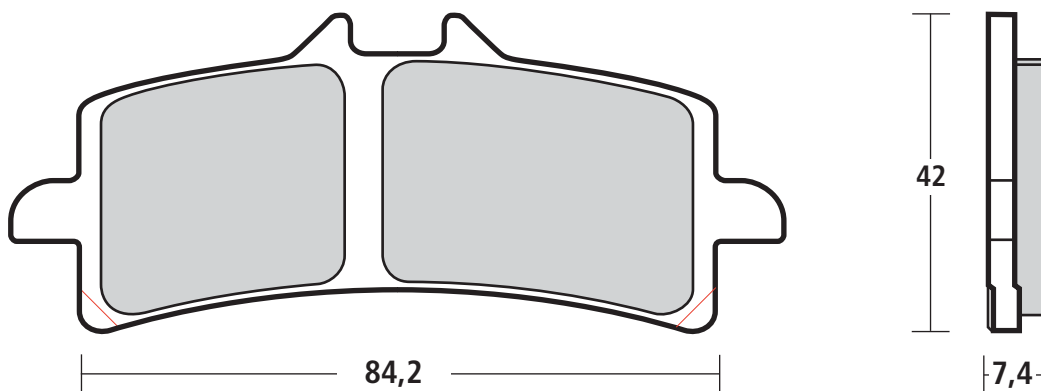
Spring / Molletta
120225579

Bleeding screw / Vite spurgo
05281228

Bleeding screw cover / Cappuccio spurgo
05150210

Technical Characteristics • Caratteristiche Tecniche

Pistons / Pistoni Ø	32 mm.
Construction Material / Materiale	CNC Aluminium / Alluminio CNC
Finishing / Finissaggio	Hard Anodizing / Anodizzazione Dura
Weight (without pads) / Massa (senza pastiglie)	720 gr.
Hardware / Viteria	Steel / Acciaio
Pistons / Pistoni	Aluminium / Alluminio
Center to Center / Interasse	108 mm.
Offset / Offset	22,5 mm.



Pads • Pastiglie

Code	Performance	Life
107988210	•	•
Genuine		
07BB3093	+	•
Genuine		

Pads • Pastiglie

Code	Performance	Life
07BB30RC	+	•
RC Compound		
M497Z04	++	+
Z04 Compound		

"THE GROOVE" Disc



Technical Characteristics • Caratteristiche Tecniche

<i>Mounting / Fissaggio</i>	<i>As Original / Come Originale</i>
<i>Rotor Diameter / Diametro disco</i>	<i>As Original / Come Originale</i>
<i>Rotor Height / Altezza fascia</i>	34 mm.
<i>Rotor Thickness / Spessore fascia</i>	5,5 mm.
<i>Rotor Material / Materiale fascia</i>	<i>Stainless Steel / Acciaio Inox</i>
<i>Bell Material / Materiale campana</i>	<i>CNC Aluminium Alloy / Lega Alluminio CNC</i>
<i>Bushing Number / n° Nottolini</i>	10

“The Groove” discs application list

Model	Year		Disc ø	“Groove” Discs Kit P/N
	From	To		
APRILIA				
Tuono (with axial and radial mount calipers)	2002	2005	320	208.B470.10
Tuono	2006	2006	320	208.B470.10
Tuono R	2006	2010	320	208.B470.10
Tuono V4 R	2011	2011	320	208.B470.10
Shiver 750	2007	2010	320	208.B470.10
BENELLI				
TNT Sport	2005	2008	320	208.B470.10
TNT Cafè	2005	2008	320	208.B470.10
TNT Titanium	2005	2008	320	208.B470.10
TNT R160	2011	2011	320	208.B470.10
DUCATI				
Monster S4R S	2003	2005	320	208.B470.11
Monster 696	2008	2010	320	208.B470.11
Monster 1100	2009	2010	320	208.B470.36
Monster 1100 S	2009	2010	320	208.B470.11
Sport / GT	2009	2009	320	208.B470.10
Hypermotard 796	2010	2011	320	208.B470.36
Hypermotard 1100	2007	2008	320	208.B470.36
Hypermotard 1100 S	2009	2010	320	208.B470.36
Hypermotard 1100 evo SP	2010	2011	320	208.B470.36
Streetfighter / Streetfighter S	2009	2011	320	208.B470.11
Multistrada 1200	2011	2011	320	208.B470.36
Diavel 1200	2011	2011	320	208.B470.36
KAWASAKI				
ER-6N (650cc)	2006	2010	300	208.B470.14
Z 750	2007	2011	300	208.B470.14
Z 750 R	2011	2011	300	208.B470.14
Z 1000	2007	2011	300	208.B470.14
Z 1000 SX	2011	2011	300	208.B470.14
KTM				
Supermoto 950	2005	2008	320	208.B470.10
LC8 SM	2009	2009	320	208.B470.10
LC8 SD	2009	2009	320	208.B470.10
LC8 SD-R	2009	2009	320	208.B470.10
LC8 SM-T	2009	2009	320	208.B470.10
LC8 SM-R	2009	2009	320	208.B470.10
990 Superduke	2005	2010	320	208.B470.10
SUZUKI				
B-King	2008	2011	310	208.B470.35
TRIUMPH				
Speed Triple	2008	2010	320	208.B470.37
Speed Triple	2011	2011	320	208.B470.37
YAMAHA				
FZ1	2006	2011	320	208.B470.21
V- Max	2009	2011	320	208.B470.21

Cafe' Racer Master Cylinders



Note

Brake MIC 19 RCS code 110A26310
 Technical Characteristics see page 42
 Brake MIC 19 x 20 code 10476060
 Technical Characteristics see page 46
 Clutch MIC 19 RCS code 110A26370
 Technical Characteristics see page 47
 Clutch MIC 16 RCS code 110A26350
 Technical Characteristics see page 47

Nota

Pompa Freno 19 RCS codice 110A26310
 Caratteristiche Tecniche vedi pagina 42
 Pompa Freno 19 x 20 codice 10476060
 Caratteristiche Tecniche vedi pagina 46
 Pompa Frizione 19 RCS codice 110A26370
 Caratteristiche Tecniche vedi pagina 47
 Pompa Frizione 16 RCS codice 110A26350
 Caratteristiche Tecniche vedi pagina 47

Custom



SECTION

4

Axial CNC . 484 Caliper Kit Code 120B81469/79 "Logo Nero"

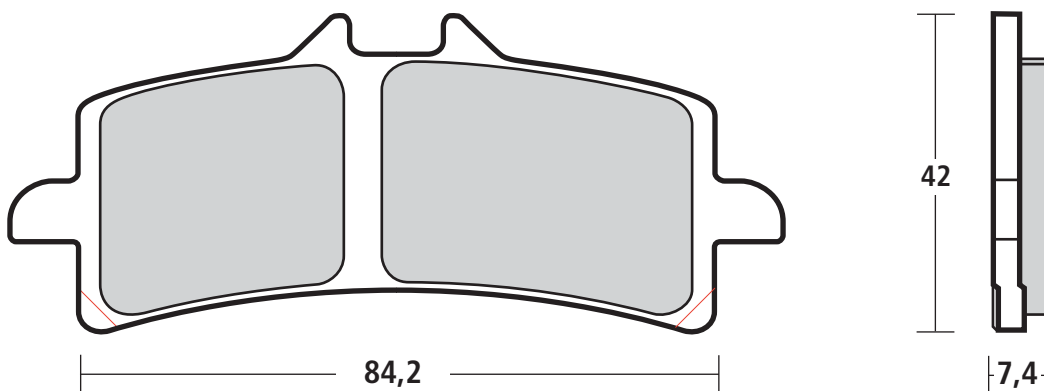


Spare Parts • Ricambi

Spring / Molletta	120225579
Bleeding screw / Vite spurgo	05144011
Bolt / Bocchettone	06222838

Technical Characteristics • Caratteristiche Tecniche

Pistons / Pistoni Ø	32 mm.
Construction Material / Materiale	CNC Aluminium / Alluminio CNC
Finishing / Finissaggio	Hard Anodizing / Anodizzazione Dura
Weight (without pads) / Massa (senza pastiglie)	845 gr.
Brake Fluid / Fluido Freni	DOT 4
Hardware / Viteria	Steel / Acciaio
Pistons / Pistoni	Aluminum / Alluminio
Center to Center / Interasse	69,1 mm. - 2,72"
Offset / Offset	34,1 mm.



Pads • Pastiglie

Code	Performance	Life
107988210	•	•
Genuine		
07BB3093	+	•
Genuine		

Axial CNC . 484 Caliper Kit Code 120B81471/81 "Logo Puro"



Spare Parts • Ricambi

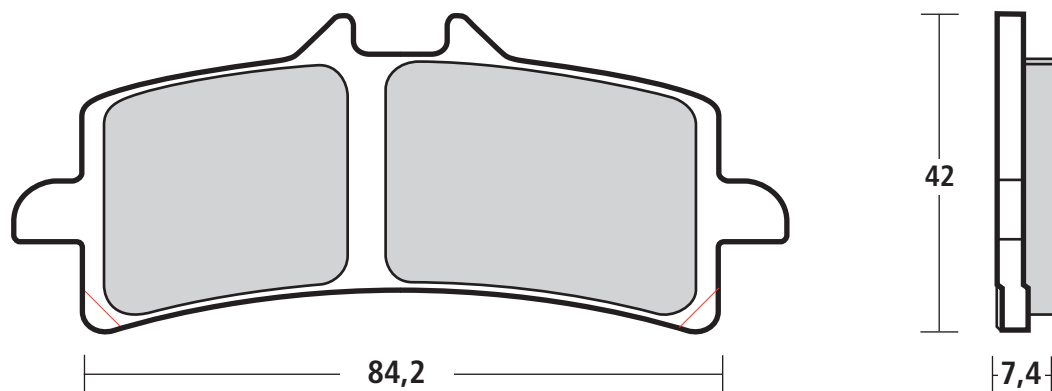
Spring / Molletta
120225579

Bleeding screw / Vite spurgo
05144011

Bolt / Bocchettone
06222838

Technical Characteristics • Caratteristiche Tecniche

Pistons / Pistoni Ø	32 mm.
Construction Material / Materiale	CNC Aluminium / Alluminio CNC
Finishing / Finissaggio	Hard Anodizing / Anodizzazione Dura
Weight (without pads) / Massa (senza pastiglie)	845 gr.
Brake Fluid / Fluido Freni	DOT 4
Hardware / Viteria	Steel / Acciaio
Pistons / Pistoni	Aluminum / Alluminio
Center to Center / Interasse	69,1 mm. - 2,72"
Offset / Offset	34,1 mm.



Pads • Pastiglie

Code	Performance	Life
107988210	•	•
Genuine		
07BB3093	+	•
Genuine		

Radial RCS Brake M/C Handlebar 1" Code 110A89710



4

Technical Characteristics • Caratteristiche Tecniche

<i>Pistons / Pistoni Ø</i>	19 mm.
<i>Distance center to center / Interesse Leva</i>	18 / 20 mm. (adjustable)
<i>Construction Material / Materiale</i>	<i>Forged Aluminium / Alluminio Forgiato</i>
<i>Finishing / Finissaggio</i>	<i>Hard Anodizing / Anodizzazione Dura</i>
<i>Weight / Massa</i>	350 gr.
<i>Brake Fluid / Fluido Freni</i>	DOT 4
<i>Handlebar / Manubrio Ø</i>	1"

Spare Parts • Ricambi

<i>Lever (complete) for 19 RCS / Leva completa per 19 RCS</i> 110A26399	<i>Micro-switch / Micro interruttore</i> 110467195
<i>Half lever for 19 RCS / Terminale leva per 19 RCS</i> 110A26398	<i>Lever adj. / Regolazione leva</i> 110A26377
<i>CNC Handlebar clamp / Cavallotto CNC</i> 110A89787	<i>Rubber cup and sticker (flag) /</i> Tappo in gomma e adesivo (bandierina) 110A26389
<i>Bleeding screw / Vite spurgo</i> 05338763	<i>Bleeding screw cover / Cappuccio spurgo</i> 05150210
<i>Lever pivot / Perno leva</i> 110459291	
<i>Oil reservoir connection / Raccordo serbatoio</i> 10312720	

**Radial RCS
Clutch M/C
Handlebar 1"
Code 110A89770**



Technical Characteristics • Caratteristiche Tecniche

<i>Pistons / Pistoni Ø</i>	19 mm.
<i>Distance center to center (A) / Interesse Leva (A)</i>	18 / 20 mm.
<i>Construction Material / Materiale</i>	<i>Forged Aluminium / Alluminio Forgiato</i>
<i>Finishing / Finissaggio</i>	<i>Hard Anodizing / Anodizzazione Dura</i>
<i>Weight / Massa</i>	350 gr.
<i>Brake Fluid / Fluido Freni</i>	DOT 4
<i>Handlebar / Manubrio Ø</i>	1"

4

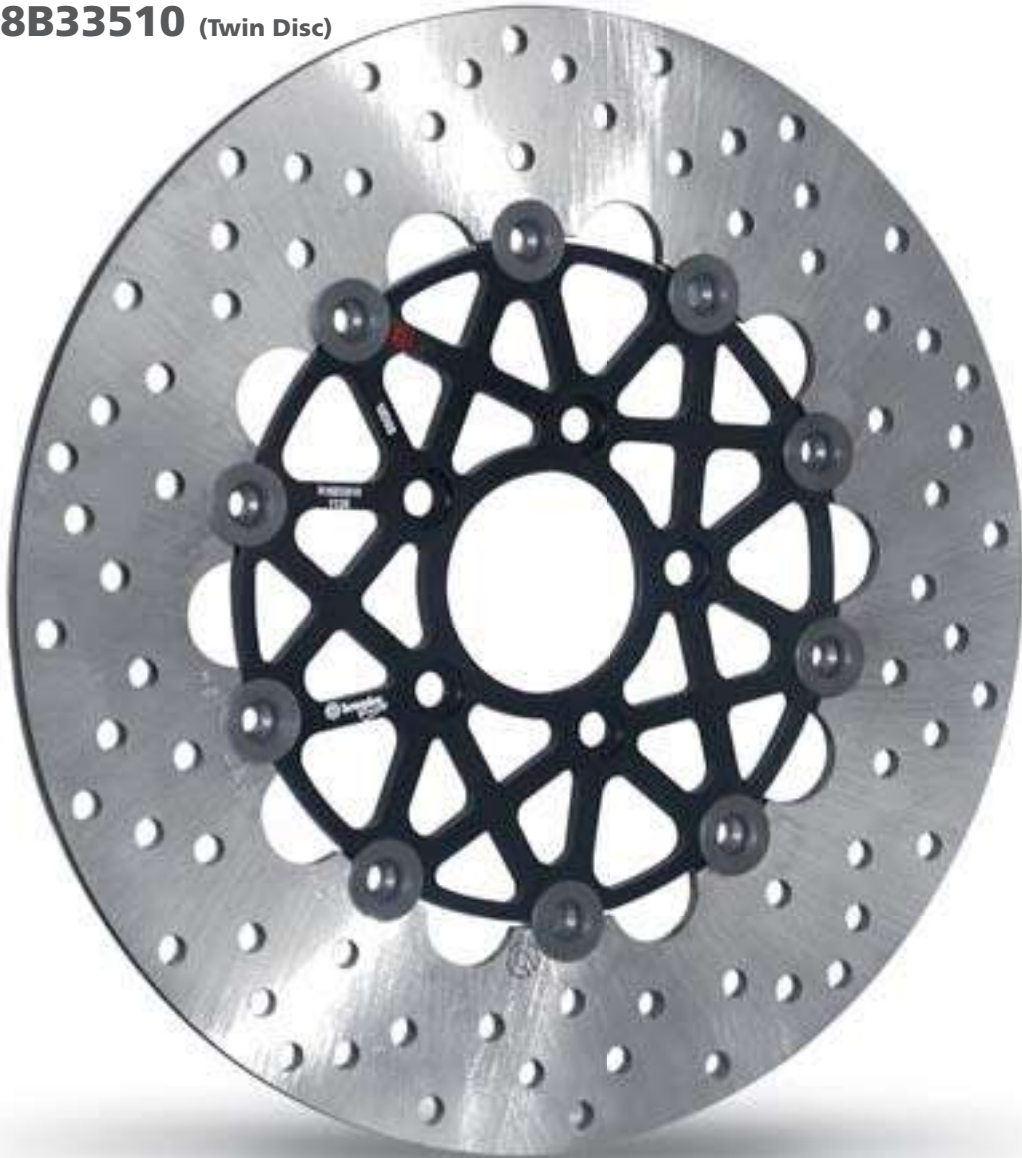
Spare Parts • Ricambi

<i>Lever (complete) / Leva completa</i> 110A26383	<i>Oil reservoir connection / Raccordo serbatoio</i> 10312720
<i>Half lever / Terminale leva</i> 110A26398	<i>Lever adj. / Regolazione leva</i> 110A26377
<i>CNC Handlebar clamp / Cavallotto CNC</i> 110A89787	<i>Rubber cup and sticker (flag) /</i> Tappo in gomma e adesivo (bandierina) 110A26389
<i>Bleeding screw / Vite spurgo</i> 05338763	<i>Bleeding screw cover / Cappuccio spurgo</i> 05150210
<i>Lever pivot / Perno leva</i> 110459291	

CUSTOM DISC

Code 108B33510 (Single Disc)

Code 208B33510 (Twin Disc)



Technical Characteristics • Caratteristiche Tecniche

<i>Disc Diameter / Diametro Disco</i>	292 mm.
<i>Rotor Height / Altezza Fascia</i>	46 mm.
<i>Rotor Thickness / Spessore Fascia</i>	5 mm.
<i>Rotor Material / Materiale Fascia</i>	Stainless Steel / Acciaio Inox
<i>Bell Material / Materiale Campana</i>	Aluminium Alloy / Lega Alluminio
<i>Connection Number / Numero Connessioni</i>	10