



# Malaguti

IDEE IN MOTO

## F 12 MAX

### 125

### EURO 2



#### TELAIO - INDICE TAVOLE

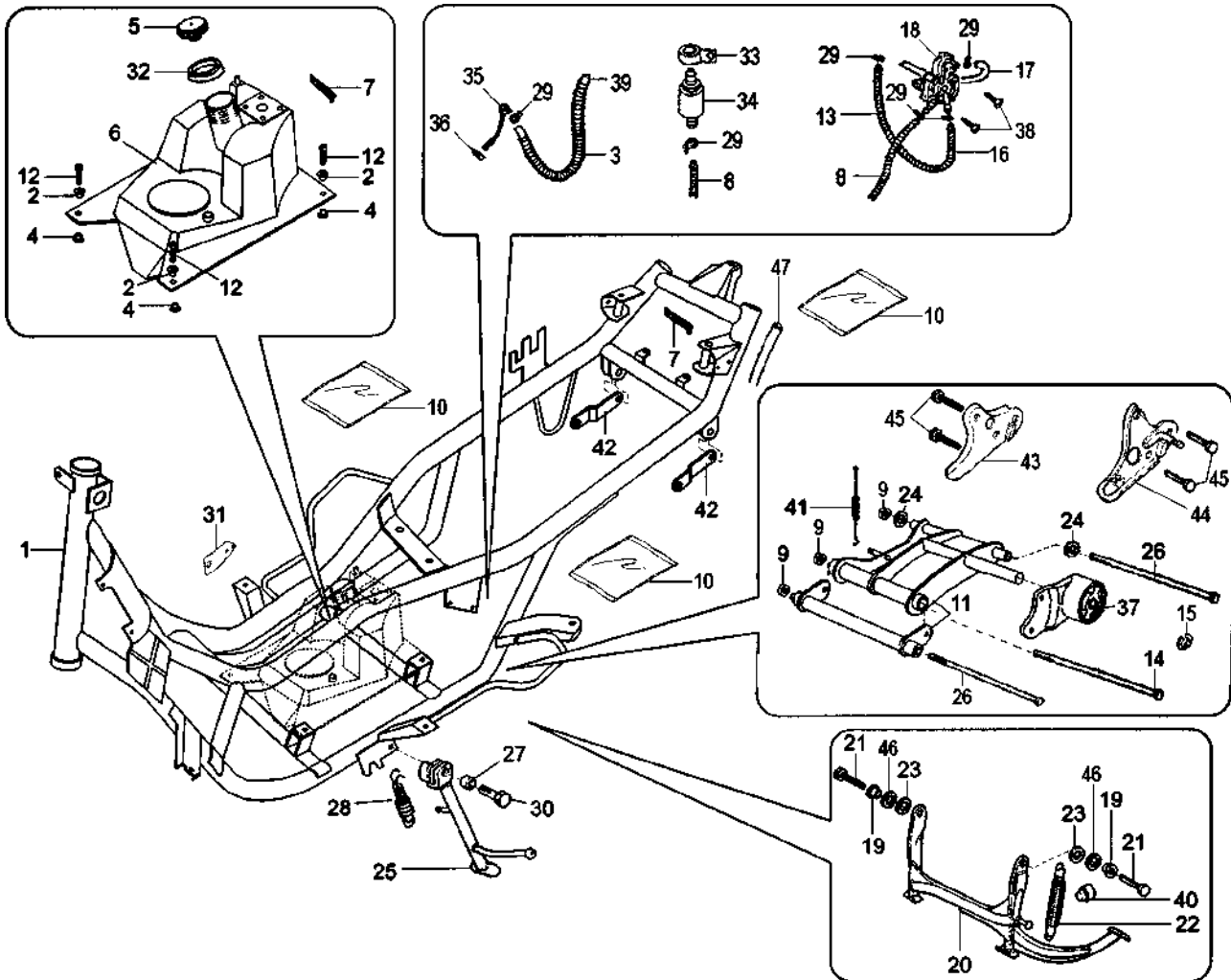
#### FRAME - INDEX OF THE TABLES

|            |            |             |            |            |
|------------|------------|-------------|------------|------------|
| TAV. A<br> | TAV. B<br> | TAV. C<br>  | TAV. D<br> | TAV. E<br> |
| TAV. F<br> | TAV. G<br> | TAV. H<br>  | TAV. I<br> | TAV. L<br> |
| TAV. M<br> | TAV. N<br> | TAV. OO<br> | TAV. O<br> |            |

#### MOTORE - INDICE TAVOLE

#### ENGINE - INDEX OF THE TABLES

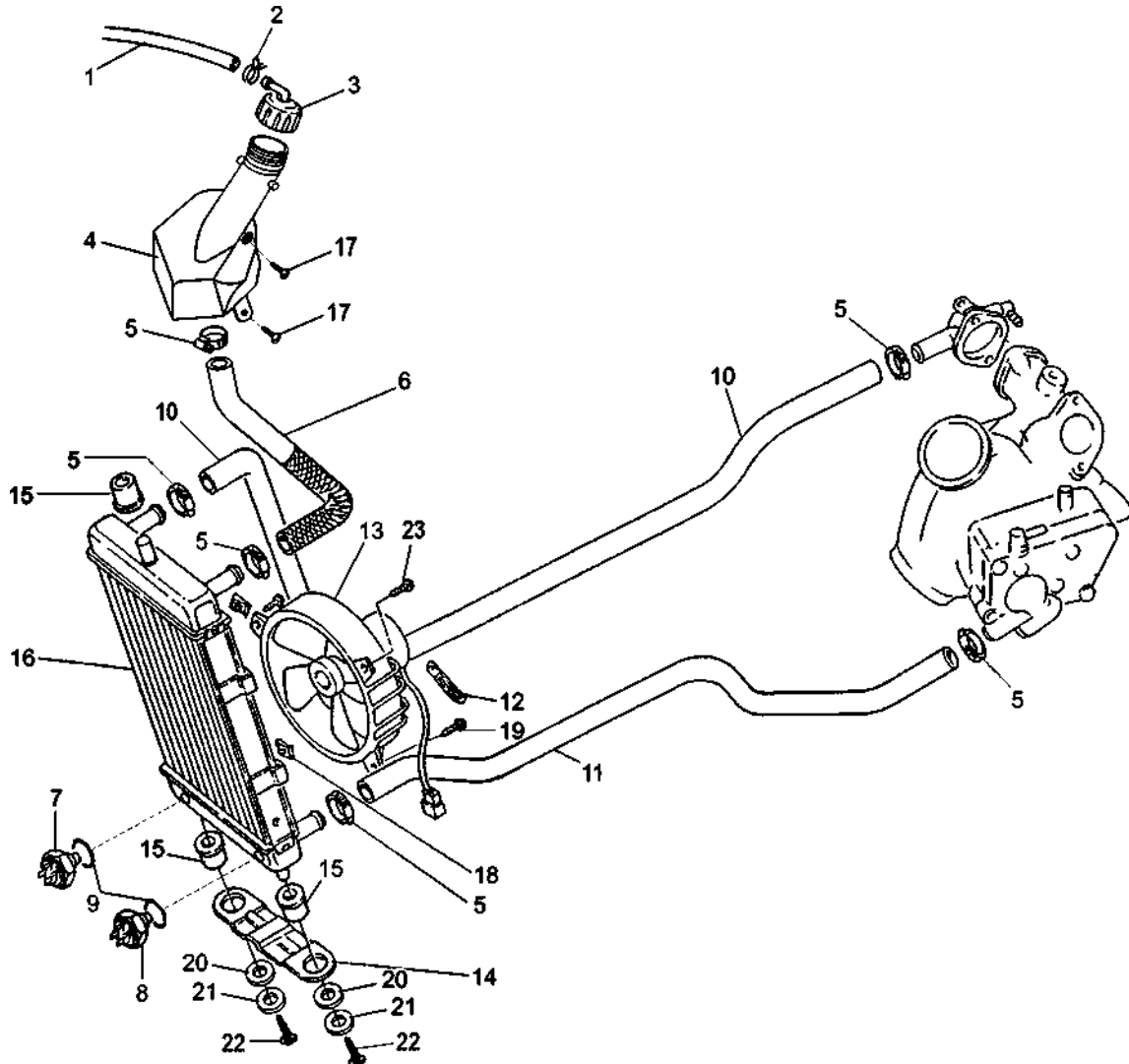
|                |                |                |                |                         |
|----------------|----------------|----------------|----------------|-------------------------|
| TAV. R (1)<br> | TAV. S (1)<br> | TAV. T (1)<br> | TAV. U (1)<br> | TAV. R 2<br>CARBURATORE |
|----------------|----------------|----------------|----------------|-------------------------|



| Nr. | Codice     | Q.tà | Descrizione                         |
|-----|------------|------|-------------------------------------|
| 1   | 156.104.99 | 1    | Telaio                              |
| 2   | 150.306.13 | 4    | Boccola serbatoio benzina           |
| 3   | 147.080.13 | 1    | Molla protezione tubo benzina       |
| 4   | 075.010.00 | 4    | Gommino serbatoio benzina           |
| 5   | 092.016.03 | 1    | Tappo serbatoio benzina             |
| 6   | 161.073.00 | 1    | Serbatoio benzina                   |
| 7   | 167.039.00 | 4    | Fascetta plastificata               |
| 8   | 180.010.63 | 1    | Tubo filtro benzina - pompa benzina |
| 9   | 185.025.00 | 3    | Dado braccio oscillante             |
| 10  | 072.175.00 | 3    | Protezione nylon                    |
| 11  | 174.040.99 | 1    | Attacco motore completo             |
| 12  | 184.089.13 | 4    | Vite fissaggio serbatoio benzina    |
| 13  | 147.102.13 | 1    | Molla protezione tubo benzina       |
| 14  | 190.055.13 | 1    | Perno supporto attacco motore       |
| 15  | 184.285.00 | 1    | Seeger staffa braccio oscillante    |
| 16  | 180.010.61 | 1    | Tubo benzina                        |
| 17  | 180.027.54 | 1    | Tubo benzina                        |
| 18  | 093.077.00 | 1    | Pompa benzina                       |
| 19  | 150.237.14 | 2    | Boccola cavalletto centrale         |
| 20  | 158.051.99 | 1    | Cavalletto centrale completo        |
| 21  | 184.244.00 | 2    | Perno cavalletto centrale           |
| 22  | 147.109.13 | 1    | Doppia molla cavalletto centrale    |
| 23  | 071.330.03 | 2    | Rondella cavalletto centrale        |
| 24  | 184.094.13 | 2    | Rondella attacco motore             |

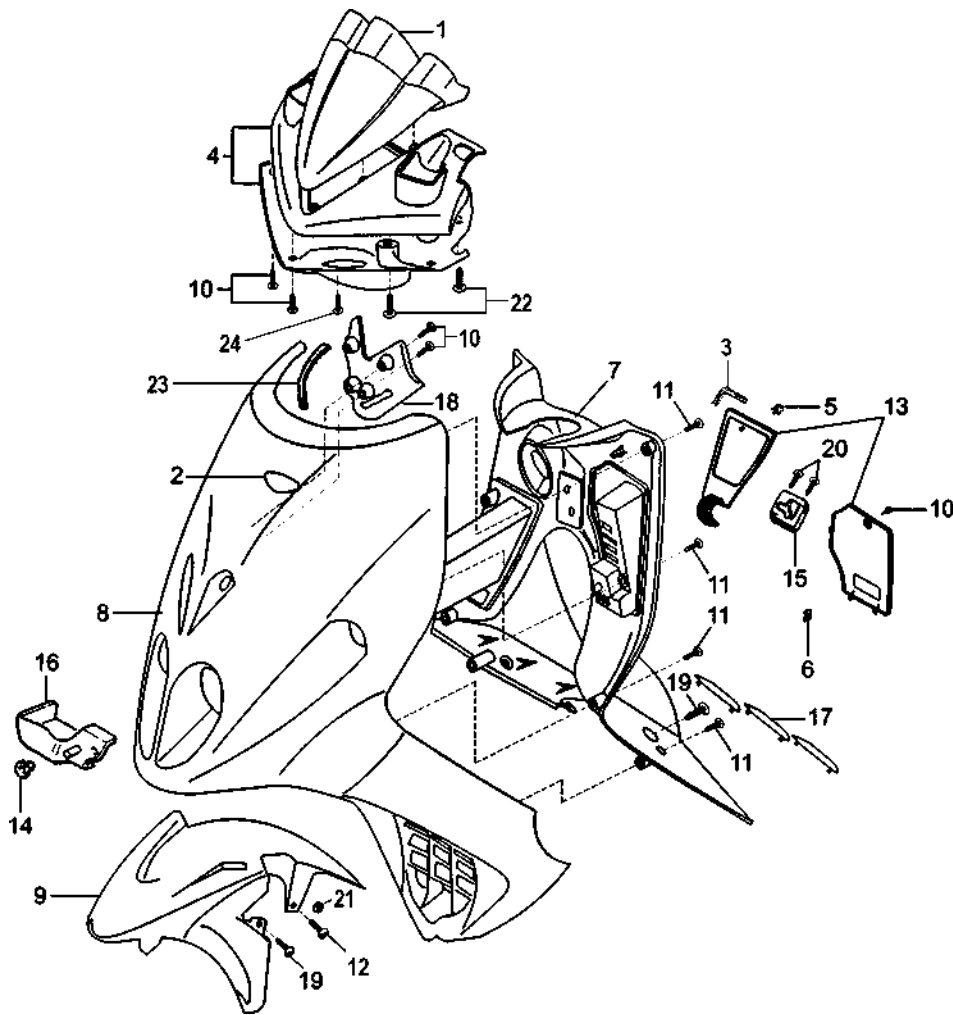
| Nr. | Code       | Q.ty | Description               |
|-----|------------|------|---------------------------|
| 1   | 156.104.99 | 1    | Frame                     |
| 2   | 150.306.13 | 4    | Fuel tank washer          |
| 3   | 147.080.13 | 1    | Fuel hose spring          |
| 4   | 075.010.00 | 4    | Rubber grommet            |
| 5   | 092.016.03 | 1    | Fuel tank cap             |
| 6   | 161.073.00 | 1    | Petrol tank               |
| 7   | 167.039.00 | 4    | Clamp                     |
| 8   | 180.002.54 | 1    | Fuel hose (filter - pump) |
| 9   | 185.025.00 | 3    | Lower engine mount bolt   |
| 10  | 072.175.00 | 3    | Protection                |
| 11  | 174.040.99 | 1    | Engine mount bracket assy |
| 12  | 184.089.13 | 4    | Fuel tank fixing screw    |
| 13  | 147.102.13 | 1    | Pipe spring               |
| 14  | 190.055.13 | 1    | Engine mounting bolt      |
| 15  | 184.285.00 | 1    | Seeger                    |
| 16  | 180.010.61 | 1    | Fuel hose                 |
| 17  | 180.027.54 | 1    | Fuel hose                 |
| 18  | 093.077.00 | 1    | Fuel pump                 |
| 19  | 150.237.14 | 2    | Main stand bush           |
| 20  | 158.051.99 | 1    | Main stand assy           |
| 21  | 184.244.00 | 2    | Main stand bolt           |
| 22  | 147.109.13 | 1    | Main stand spring         |
| 23  | 071.330.03 | 2    | Main stand washer         |
| 24  | 184.094.13 | 2    | Engine mounting washer    |



**Impianto di raffreddamento motore**  
**Cooling system**


| Nr. | Codice     | Q.tà | Descrizione                           |
|-----|------------|------|---------------------------------------|
| 1   | 180.002.54 | 1    | Tubo sfiato                           |
| 2   | 167.018.13 | 1    | Fascetta tubo sfiato                  |
| 3   | 071.219.03 | 1    | Tappo vaso espansione                 |
| 4   | 108.050.00 | 1    | Vaso espansione                       |
| 5   | 167.031.00 | 6    | Fascetta stringitubo                  |
| 6   | 077.049.00 | 1    | Manicotto radiatore - vaso espansione |
| 7   | 021.023.00 | 1    | Termostato bianco elettroventola      |
| 8   | 021.020.00 | 1    | Termostato nero starter               |
| 9   | 190.049.00 | 2    | Rasamento rame                        |
| 10  | 077.055.00 | 1    | Tubo mandata motore - radiatore       |
| 11  | 077.056.00 | 1    | Tubo ritorno radiatore - motore       |
| 12  | 167.039.00 | 1    | Fascetta plastificata                 |
| 13  | 024.045.00 | 1    | Elettroventola                        |
| 14  | 191.080.00 | 1    | Piastra fissaggio radiatore           |
| 15  | 075.021.00 | 3    | Silentblock                           |
| 16  | 108.044.00 | 1    | Radiatore                             |
| 17  | 184.036.13 | 2    | Vite fissaggio radiatore - vaso       |
| 18  | 184.206.00 | 3    | Clips per vite                        |
| 19  | 184.258.00 | 2    | Vite ventola                          |
| 20  | 184.052.13 | 2    | Rondella                              |
| 21  | 184.050.00 | 2    | Rondella                              |
| 22  | 184.036.13 | 2    | Vite                                  |
| 23  | 184.060.15 | 1    | Vite ventola                          |

| Nr. | Code       | Q.ty | Description                 |
|-----|------------|------|-----------------------------|
| 1   | 180.002.54 | 1    | Breather pipe               |
| 2   | 167.018.13 | 1    | Breather pipe clamp         |
| 3   | 071.219.03 | 1    | Expansion tank cap          |
| 4   | 108.050.00 | 1    | Expansion tank              |
| 5   | 167.031.00 | 6    | Clamp                       |
| 6   | 077.049.00 | 1    | Sleeve                      |
| 7   | 021.023.00 | 1    | Thermo-switch, electric fan |
| 8   | 021.020.00 | 1    | Thermo-switch, starter      |
| 9   | 190.049.00 | 2    | Washer                      |
| 10  | 077.055.00 | 1    | Delivery pipe               |
| 11  | 077.056.00 | 1    | Return pipe                 |
| 12  | 167.039.00 | 1    | Clamp                       |
| 13  | 024.045.00 | 1    | Electric fan                |
| 14  | 191.080.00 | 1    | Water cooler bracket        |
| 15  | 075.021.00 | 3    | Silentblock                 |
| 16  | 108.044.00 | 1    | Water cooler                |
| 17  | 184.036.13 | 2    | Screw                       |
| 18  | 184.206.00 | 3    | Clips                       |
| 19  | 184.258.00 | 2    | Screw                       |
| 20  | 184.052.13 | 2    | Washer                      |
| 21  | 184.050.00 | 2    | Washer                      |
| 22  | 184.036.13 | 2    | Screw                       |
| 23  | 184.060.15 | 1    | Screw                       |

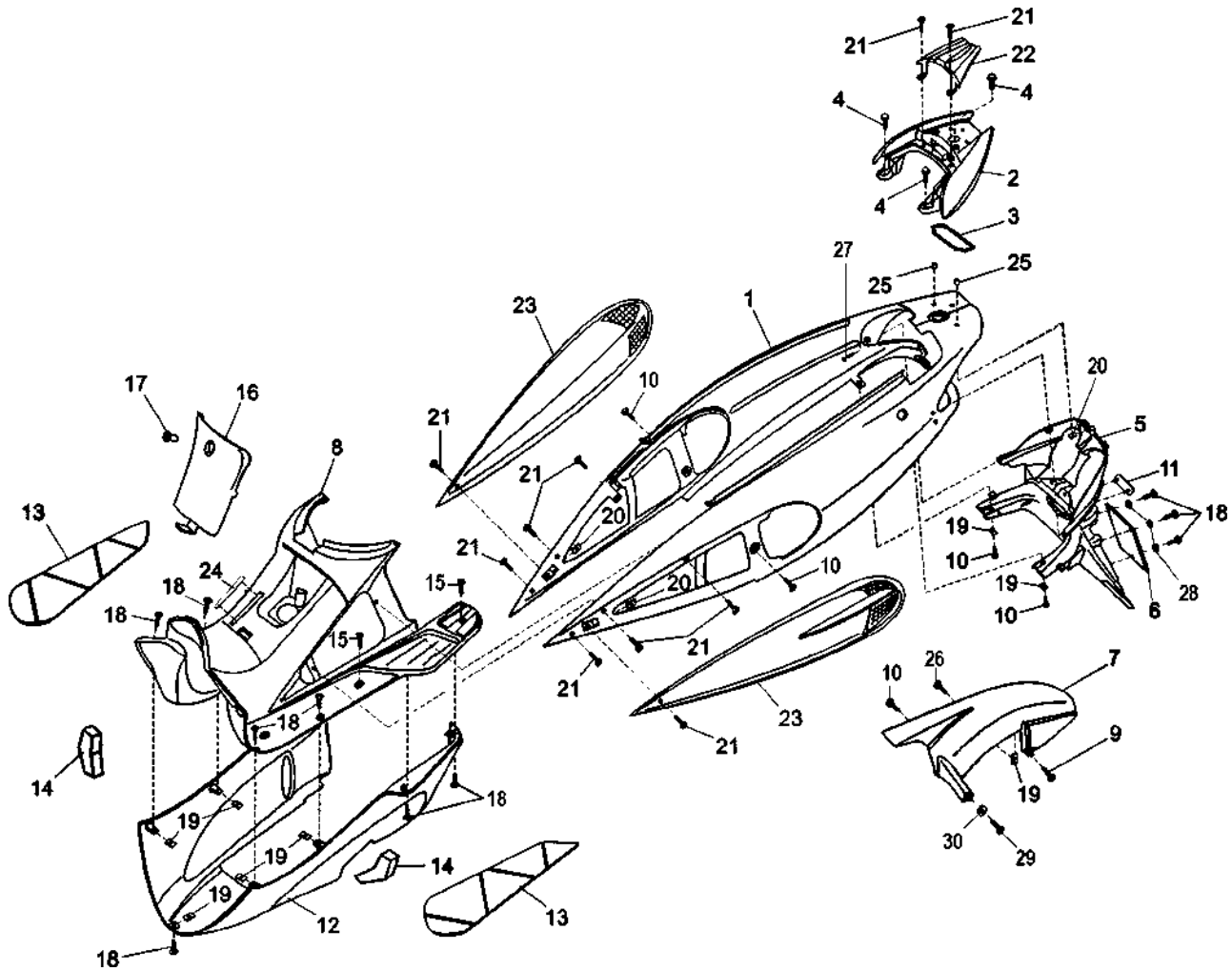


| Nr. | Codice      | Q.tà | Descrizione                           |
|-----|-------------|------|---------------------------------------|
| 1   | 071.496.00  | 1    | Portastrumenti                        |
| 2   | 181.338.00  | 1    | Etichetta scudo                       |
| 3   | 072.099.52  | 1    | Guarnizione sportello ticket          |
| 4   | 071.581.- - | 1    | Coprimanubrio inferiore + superiore * |
| 5   | 071.324.03  | 1    | Push-push apertura rapida             |
| 6   | 184.007.00  | 17   | Clips in dacromet                     |
| 7   | 065.086.- - | 1    | Paragambe *                           |
| 8   | 066.133.- - | 1    | Scudo anteriore *                     |
| 9   | 055.062.- - | 1    | Parafango anteriore *                 |
| 10  | 184.047.15  | 15   | Vite autofilettante inox              |
| 11  | 184.041.15  | 10   | Vite scudo paragambe                  |
| 12  | 184.089.13  | 2    | Vite parafango anteriore              |
| 13  | 071.582.- - | 1    | Kit sportello acqua + porta ticket *  |
| 14  | 150.148.14  | 4    | Rondella parafango                    |
| 15  | 071.182.03  | 1    | Gancio porta borsa                    |
| 16  | 071.233.03  | 1    | Protezione commutatore                |
| 17  | 071.513.03  | 6    | Biscotto pedana                       |
| 18  | 071.520.00  | 1    | Griglia scudo centrale                |
| 19  | 184.060.15  | 4    | Vite scudo - parafango anteriore      |
| 20  | 184.036.13  | 2    | Vite gancio porta borsa               |
| 21  | 184.153.14  | 2    | Dado parafango                        |
| 22  | 184.032.15  | 4    | Vite manubrio                         |
| 23  | 072.117.50  | 2    | Guarnizione scudo                     |
| 24  | 184.071.15  | 1    | Vite manubrio                         |
| --  | 181.384.00  | 1    | Completo marche F 12 MAX - 125        |

| Nr. | Code        | Q.ty | Description                       |
|-----|-------------|------|-----------------------------------|
| 1   | 071.496.00  | 1    | Dashboard cover                   |
| 2   | 181.338.00  | 1    | "Malaguti" blue label             |
| 3   | 072.099.52  | 1    | Mobile cover gasket               |
| 4   | 071.495.- - | 1    | Handlebar cover (lower + upper) * |
| 5   | 071.324.03  | 1    | Push-push button                  |
| 6   | 184.007.00  | 17   | Clips                             |
| 7   | 065.086.- - | 1    | Inner shield *                    |
| 8   | 066.133.- - | 1    | Front shield *                    |
| 9   | 055.062.- - | 1    | Front mudguard *                  |
| 10  | 184.047.15  | 15   | Screw                             |
| 11  | 184.041.15  | 10   | Inner shield screw                |
| 12  | 184.089.13  | 2    | Screw                             |
| 13  | 071.582.- - | 1    | Water tank cover + mobile cover * |
| 14  | 150.148.14  | 4    | Washer                            |
| 15  | 071.182.03  | 1    | Bag handle                        |
| 16  | 071.233.03  | 1    | Ignition barrel protection        |
| 17  | 071.513.03  | 6    | inner shield footrest             |
| 18  | 071.520.00  | 1    | Front shield grill                |
| 19  | 184.060.15  | 4    | Screw                             |
| 20  | 184.036.13  | 2    | Bag handle screw                  |
| 21  | 184.153.14  | 2    | Nut                               |
| 22  | 184.032.15  | 4    | Screw                             |
| 23  | 072.117.50  | 2    | Gasket                            |
| 24  | 184.071.15  | 1    | Screw                             |
| --  | 181.384.00  | 1    | F 12 MAX - 125 label set          |

\* Vedi tavola N° 00 Colori

\* Refer to N° 00 colour table

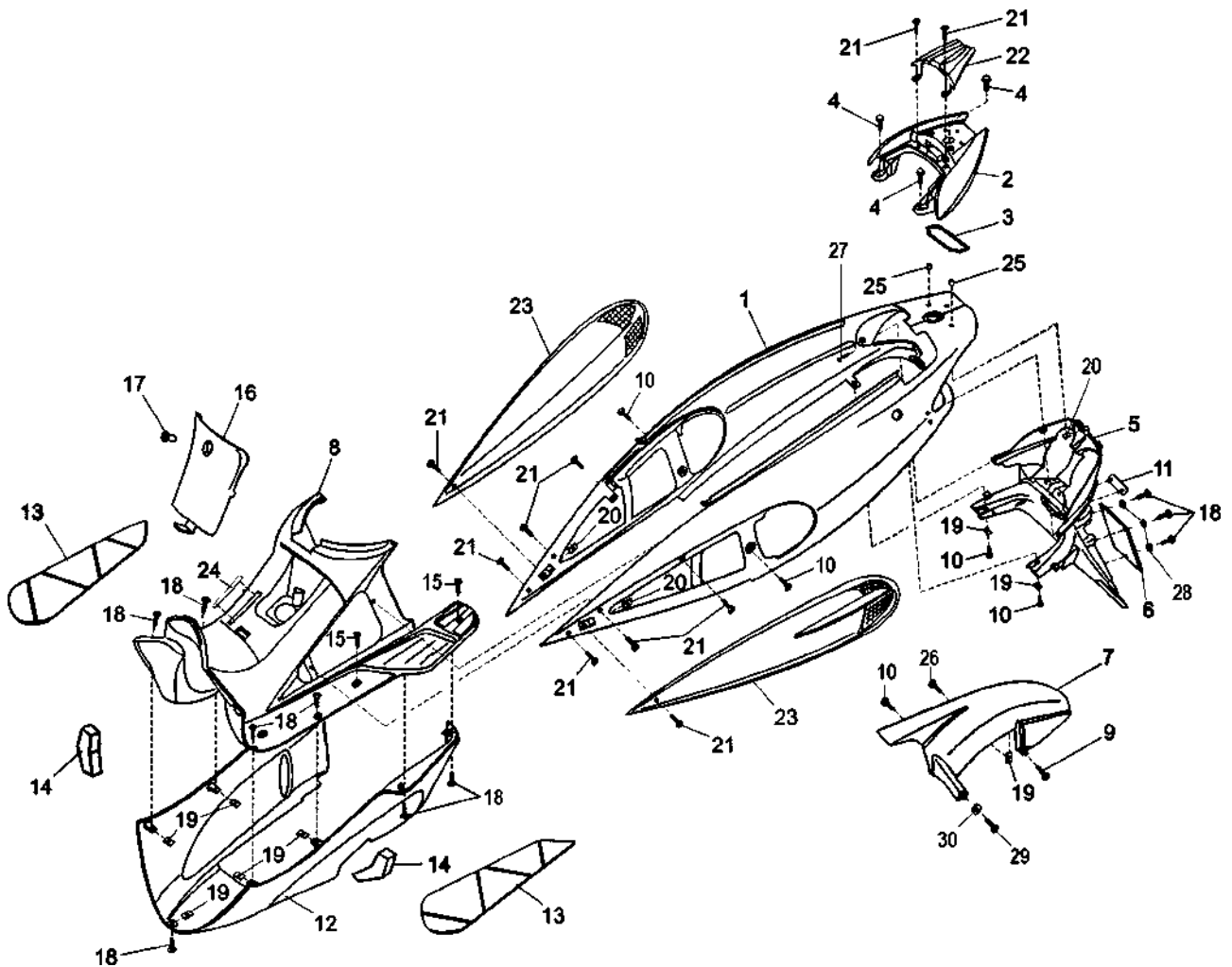


| Nr. | Codice      | Q.tà | Descrizione                    |
|-----|-------------|------|--------------------------------|
| 1   | 063.229.- - | 1    | Carena posteriore con unione * |
| 2   | 063.230.87  | 1    | Maniglia posteriore            |
| 3   | 071.514.- - | 1    | Unione carena *                |
| 4   | 184.213.14  | 3    | Vite fissaggio maniglia        |
| 5   | 057.064.03  | 1    | Codino inferiore               |
| 6   | 008.006.00  | 1    | Porta targa                    |
| 7   | 056.057.03  | 1    | Parafango posteriore           |
| 8   | 064.031.03  | 1    | Pedana poggia piedi            |
| 9   | 184.073.00  | 1    | Vite truciolare parafango      |
| 10  | 184.254.15  | 5    | Vite carena                    |
| 11  | 071.322.00  | 1    | Catadiottro rosso ovale        |
| 12  | 063.228.- - | 1    | Puntone *                      |
| 13  | 064.032.03  | 1    | Pedane in gomma poggia piedi   |
| 14  | 072.157.00  | 2    | Tampone in spugna              |
| 15  | 184.060.15  | 6    | Vite pedana                    |
| 16  | 071.499.03  | 1    | Sportello benzina              |
| 17  | 090.024.00  | 1    | Serratura sportello benzina    |
| 18  | 184.041.15  | 8    | Vite truciolare                |
| 19  | 184.152.00  | 17   | Clips per vite autofilettante  |
| 20  | 184.206.00  | 3    | Clips per vite                 |
| 21  | 184.042.15  | 12   | Vite autofilettante            |
| 22  | 063.235.- - | 1    | Coperchio maniglione *         |
| 23  | 071.583.03  | 1    | Cp. prese d'aria carena        |

| Nr. | Code        | Q.ty | Description          |
|-----|-------------|------|----------------------|
| 1   | 063.229.- - | 1    | Rear fairing *       |
| 2   | 063.230.87  | 1    | Rear handle          |
| 3   | 071.514.- - | 1    | Central fairing *    |
| 4   | 184.213.14  | 3    | Rear handle screw    |
| 5   | 057.064.03  | 1    | Mudflap tail         |
| 6   | 008.006.00  | 1    | Number plate holder  |
| 7   | 056.057.03  | 1    | Rear mudguard        |
| 8   | 064.031.03  | 1    | Footboard panel      |
| 9   | 184.073.00  | 1    | Screw                |
| 10  | 184.254.15  | 5    | Screw                |
| 11  | 071.322.00  | 1    | Red reflector        |
| 12  | 063.228.- - | 1    | Belly pan *          |
| 13  | 064.032.03  | 1    | Mat set              |
| 14  | 072.157.00  | 2    | Pad                  |
| 15  | 184.060.15  | 6    | Screw                |
| 16  | 071.499.03  | 1    | Fuel box cover       |
| 17  | 090.024.00  | 1    | Fuel box cover lock  |
| 18  | 184.041.15  | 8    | Screw                |
| 19  | 184.152.00  | 17   | Clip                 |
| 20  | 184.206.00  | 3    | Clip                 |
| 21  | 184.042.15  | 12   | Screw                |
| 22  | 063.235.- - | 1    | Rear handle cover *  |
| 23  | 071.583.03  | 1    | L/h + R/h air intake |

\* Vedi tavola N° 00 Colori

\* Refer to N° 00 colour table



| Nr. | Codice     | Q.tà | Descrizione                    |
|-----|------------|------|--------------------------------|
| 24  | 071.145.03 | 1    | Coperchio numeri telaio        |
| 25  | 075.028.00 | 2    | Boccola fissaggio maniglia     |
| 26  | 184.047.15 | 1    | Vite parafango                 |
| 27  | 184.118.15 | 2    | Vite carena                    |
| 28  | 184.046.14 | 3    | Rondella                       |
| 29  | 184.091.15 | 1    | Vite parafango                 |
| 30  | 184.051.13 | 1    | Rondella parafango             |
| --  | 181.384.00 | 1    | Completo marche F 12 MAX - 125 |

| Nr. | Code       | Q.ty | Description              |
|-----|------------|------|--------------------------|
| 24  | 071.145.03 | 1    | VIN numbers cover        |
| 25  | 075.028.00 | 2    | Bush                     |
| 26  | 184.047.15 | 1    | Screw                    |
| 27  | 184.118.15 | 2    | Screw                    |
| 28  | 184.046.14 | 3    | Washer                   |
| 29  | 184.091.15 | 1    | Screw                    |
| 30  | 184.051.13 | 1    | Washer                   |
| --  | 181.384.00 | 1    | F 12 MAX - 125 label set |

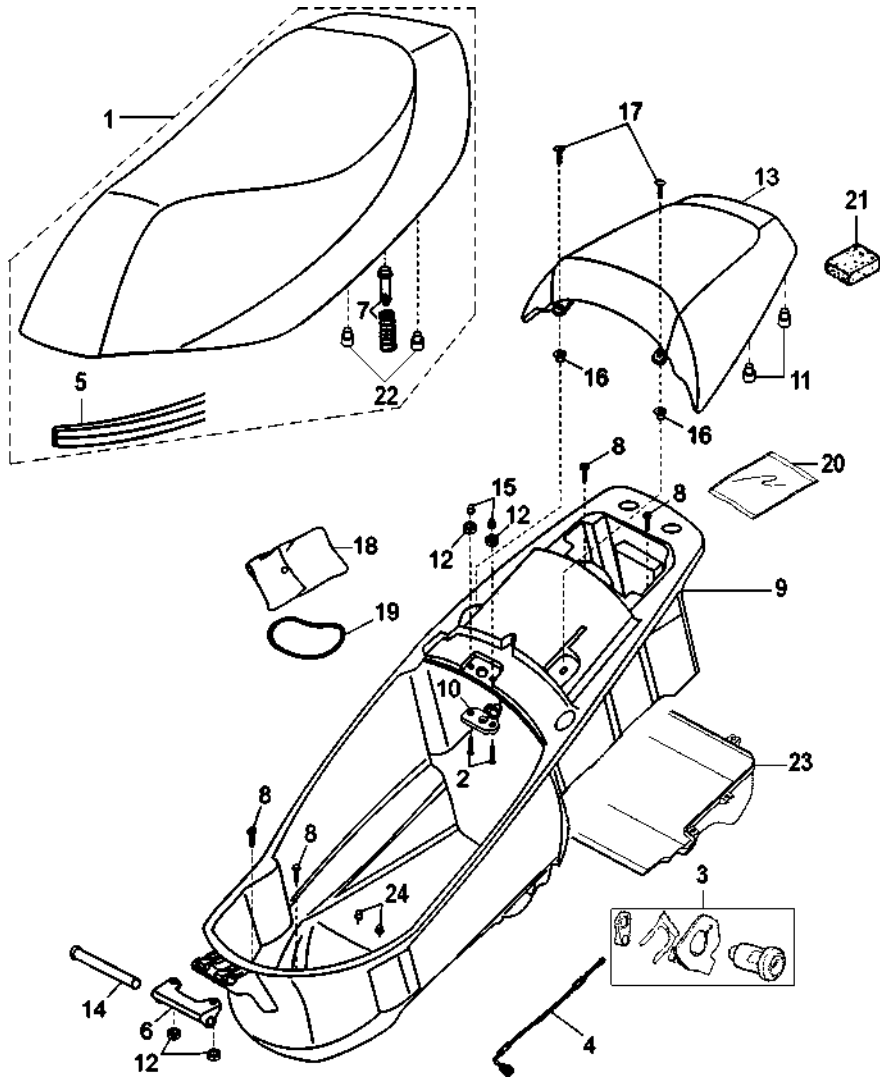
\* Vedi tavola N° 00 Colori

\* Refer to N° 00 colour table

## F 12 MAX - 125 Euro 2

### Vano casco & gruppo sella

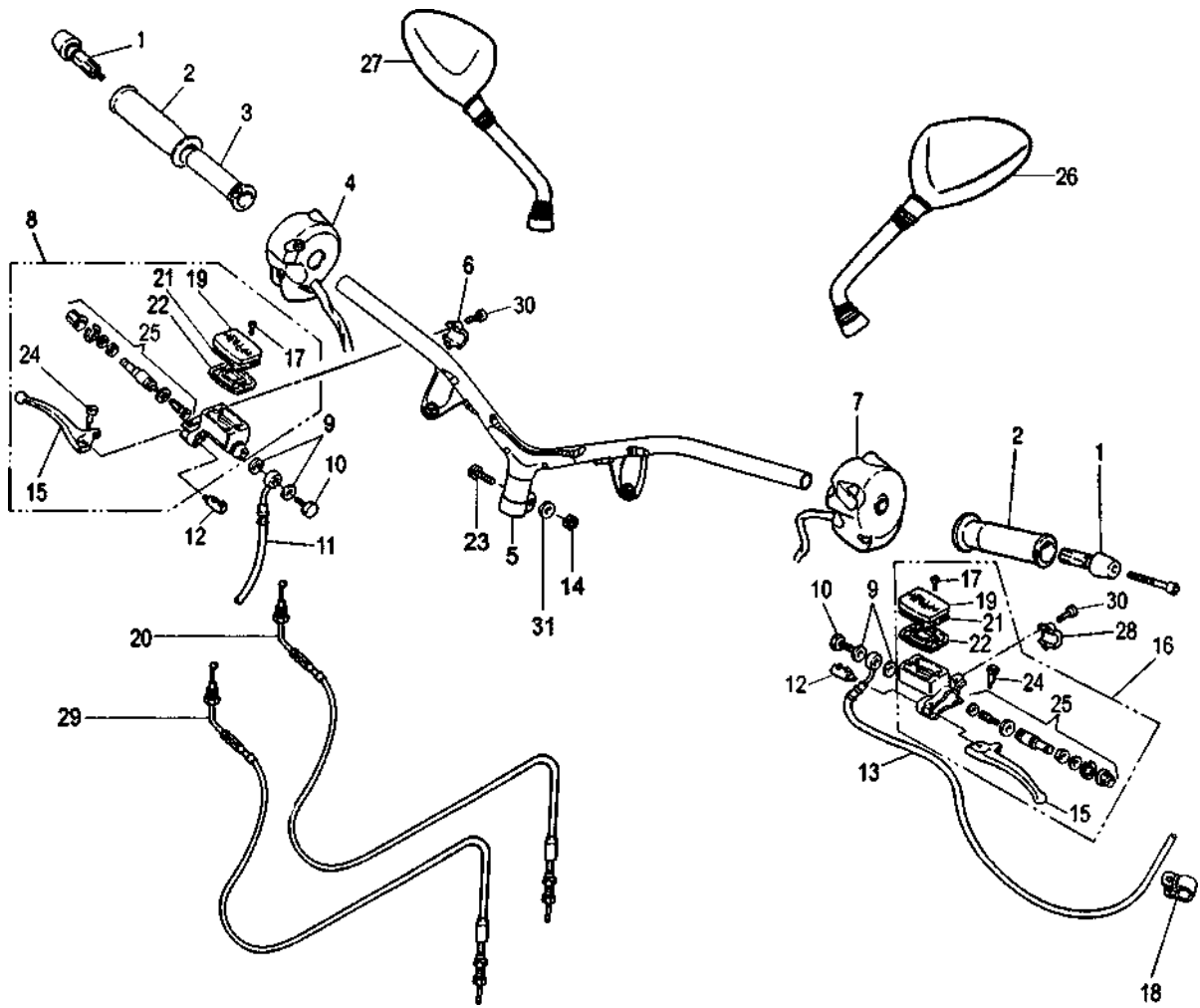
### Helmet case & seat



| Nr. | Codice     | Q.tà | Descrizione                         |
|-----|------------|------|-------------------------------------|
| 1   | 106.097.03 | 1    | Sellone pilota completo             |
| 2   | 184.255.15 | 2    | Vite sgancio sella                  |
| 3   | 090.058.00 | 1    | Serratura sella pilota              |
| 4   | 035.022.03 | 1    | Trasmissione serratura sella        |
| 5   | 072.196.03 | 1    | Guarnizione sella                   |
| 6   | 188.040.99 | 1    | Cerniera sella                      |
| 7   | 071.373.00 | 1    | Push-up sella completo              |
| 8   | 190.022.00 | 4    | Vite fissaggio vano casco           |
| 9   | 065.097.03 | 1    | Vano casco completo                 |
| 10  | 090.039.00 | 1    | Sgancio sella                       |
| 11  | 071.152.03 | 2    | Gommino paracolpi sella passeggero  |
| 12  | 184.153.14 | 4    | Dado                                |
| 13  | 106.099.03 | 1    | Sellone passeggero completo         |
| 14  | 150.174.13 | 1    | Tubo fulcro sella                   |
| 15  | 072.171.00 | 2    | Copridadi                           |
| 16  | 075.028.00 | 2    | Boccola                             |
| 17  | 184.060.15 | 2    | Vite fissaggio sellone passeggero   |
| 18  | 086.057.00 | 1    | Trousse attrezzi                    |
| 19  | 072.167.00 | 1    | Elastico fissaggio trousse attrezzi |
| 20  | 072.176.00 | 1    | Protezione vano batteria            |
| 21  | 072.077.00 | 1    | Profilato sellone passeggero        |
| 22  | 072.197.00 | 2    | Gommini paracolpi sella pilota      |
| 23  | 071.510.00 | 1    | Chiusura inferiore vano casco       |
| 24  | 184.083.00 | 2    | Tappi chiusura vano casco           |

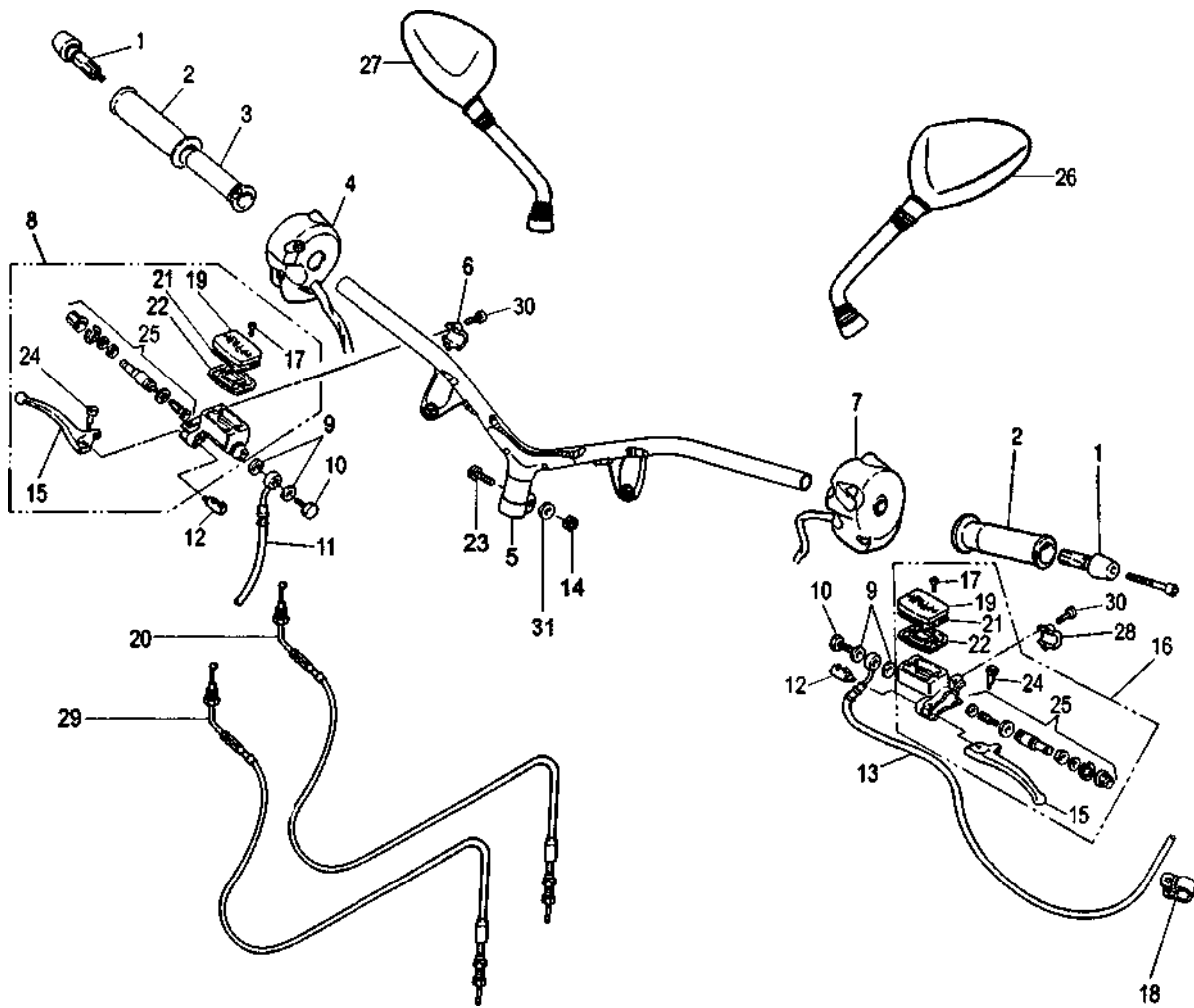
| Nr. | Code       | Q.ty | Description              |
|-----|------------|------|--------------------------|
| 1   | 106.097.03 | 1    | Seat                     |
| 2   | 184.255.15 | 2    | Screw                    |
| 3   | 090.058.00 | 1    | Seat lock                |
| 4   | 035.022.03 | 1    | Seat lock cable          |
| 5   | 072.196.03 | 1    | Seat gasket              |
| 6   | 188.040.99 | 1    | Seat hinge               |
| 7   | 071.373.00 | 1    | Seat push-up             |
| 8   | 190.022.00 | 4    | Helmet case fixing screw |
| 9   | 065.097.03 | 1    | Helmet case              |
| 10  | 090.039.00 | 1    | Seat opening             |
| 11  | 071.152.03 | 2    | Bump stop                |
| 12  | 184.153.14 | 4    | Nut                      |
| 13  | 106.099.03 | 1    | Rear seat                |
| 14  | 150.174.13 | 1    | Seat pivot               |
| 15  | 072.171.00 | 2    | Nut cover                |
| 16  | 075.028.00 | 2    | Bush                     |
| 17  | 184.060.15 | 2    | Rear seat screw          |
| 18  | 086.057.00 | 1    | Tool kit                 |
| 19  | 072.167.00 | 1    | Tool fixing belt         |
| 20  | 072.176.00 | 1    | Protection               |
| 21  | 072.077.00 | 1    | Rear seat rubber         |
| 22  | 072.197.00 | 2    | Seat rubber              |
| 23  | 071.510.00 | 1    | Hemet case lower         |
| 24  | 184.083.00 | 2    | Helmet case lower plug   |





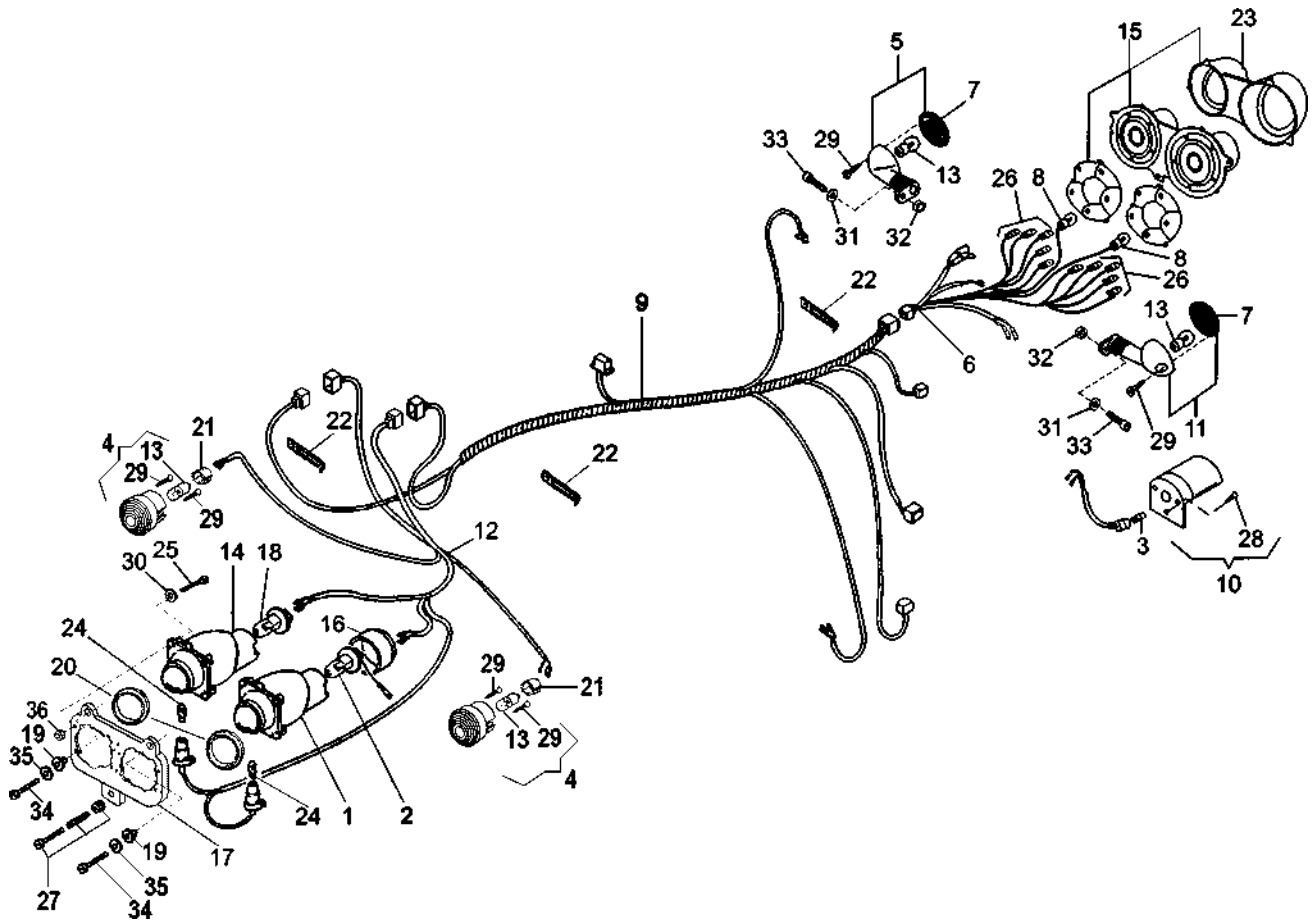
| Nr. | Codice     | Q.tà | Descrizione                            |
|-----|------------|------|--|
| 1   | 163.002.03 | 2    | Contrappesi manubrio                   |
| 2   | 097.020.03 | 1    | Kit manopole sx / dx                   |
| 3   | 027.014.00 | 1    | Tubo comando gas                       |
| 4   | 020.069.00 | 1    | Commutatore dx                         |
| 5   | 162.044.13 | 1    | Manubrio                               |
| 6   | 121.151.00 | 1    | Attacco pompa dx                       |
| 7   | 020.049.00 | 1    | Commutatore luci sx                    |
| 8   | 030.027.03 | 1    | Pompa freno dx completa di leva        |
| 9   | 190.006.00 | 4    | Rasamento                              |
| 10  | 150.024.14 | 2    | Vite trasmissione idraulica            |
| 11  | 033.052.00 | 1    | Trasmissione idraulica anteriore       |
| 12  | 021.018.00 | 2    | Interruttore stop                      |
| 13  | 033.057.00 | 1    | Trasmissione idraulica posteriore      |
| 14  | 184.056.13 | 1    | Dado vite manubrio                     |
| 15  | 121.143.03 | 2    | Leva freno sx / dx                     |
| 16  | 030.026.03 | 1    | Pompa freno sx completa di leva        |
| 17  | 184.179.00 | 4    | Vite coperchio pompa freno             |
| 18  | 167.038.00 | 1    | Fascetta trasmissione freno posteriore |
| 19  | 121.145.00 | 2    | Coperchio pompa freno                  |
| 20  | 034.105.03 | 1    | Trasmissione gas chiusura              |
| 21  | 121.141.00 | 2    | Scodellino coperchio pompa freno       |
| 22  | 121.099.00 | 2    | Guarnizione pompa freno                |
| 23  | 150.179.13 | 1    | Vite fissaggio manubrio                |
| 24  | 121.106.00 | 2    | Vite fulcro leva freno                 |

| Nr. | Code       | Q.ty | Description                |
|-----|------------|------|----------------------------|
| 1   | 163.002.03 | 2    | Bar ends set               |
| 2   | 097.020.03 | 1    | Handgrip set               |
| 3   | 027.014.00 | 1    | Twistgrip                  |
| 4   | 020.069.00 | 1    | R/h switch                 |
| 5   | 162.044.13 | 1    | Handlebar                  |
| 6   | 121.151.00 | 1    | R/h front brake pump clamp |
| 7   | 020.049.00 | 1    | L/h switch                 |
| 8   | 030.027.03 | 1    | R/h brake pump assy        |
| 9   | 190.006.00 | 4    | Copper banjo washer        |
| 10  | 150.024.14 | 2    | Brake hose bolt            |
| 11  | 033.052.00 | 1    | Front hydraulic brake hose |
| 12  | 021.018.00 | 2    | Stop switch                |
| 13  | 033.057.00 | 1    | Rear hydraulic brake hose  |
| 14  | 184.056.13 | 1    | Nut                        |
| 15  | 121.143.03 | 2    | L/h-r/h brake lever        |
| 16  | 030.026.03 | 1    | L/h brake pump assy        |
| 17  | 184.179.00 | 4    | Pump cover screw           |
| 18  | 167.038.00 | 1    | Clamp                      |
| 19  | 121.145.00 | 2    | Pump cover                 |
| 20  | 034.085.03 | 1    | Throttle cable closing     |
| 21  | 121.141.00 | 2    | Pump top seal              |
| 22  | 121.099.00 | 2    | Pump gasket                |
| 23  | 150.179.13 | 1    | Handlebar fixing screw     |
| 24  | 121.106.00 | 2    | Lever bolt                 |



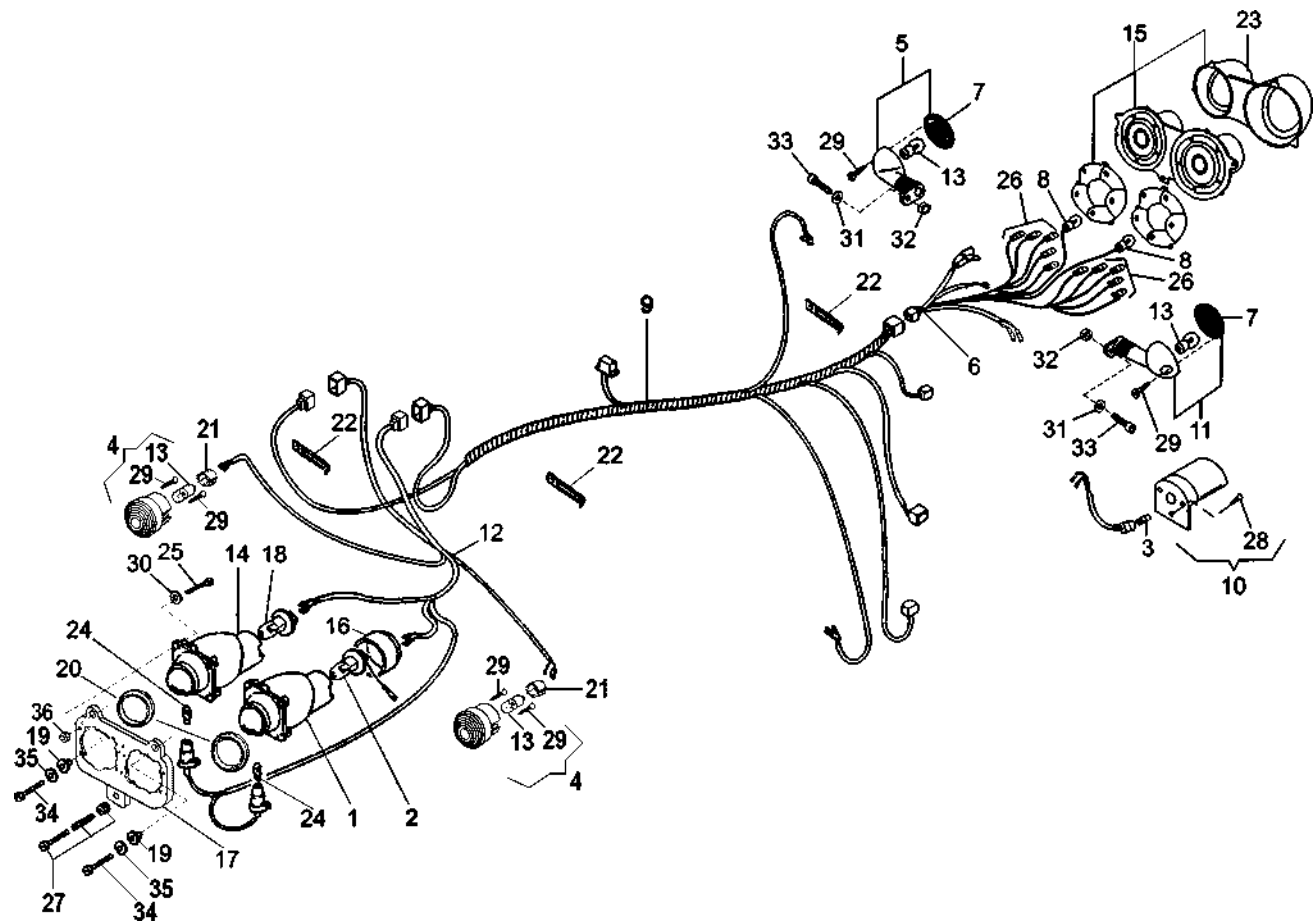
| Nr. | Codice     | Q.tà | Descrizione               |
|-----|------------|------|---------------------------|
| 25  | 121.144.03 | 2    | Pistone pompa freno       |
| 26  | 088.040.03 | 1    | Specchio sx               |
| 27  | 088.041.03 | 1    | Specchio dx               |
| 28  | 121.152.00 | 1    | Attacco pompa sx          |
| 29  | 034.106.03 | 1    | Trasmissione gas apertura |
| 30  | 184.247.00 | 2    | Vite attacco pompa freno  |
| 31  | 184.094.13 | 1    | Rondella manubrio         |

| Nr. | Code       | Q.ty | Description                |
|-----|------------|------|----------------------------|
| 25  | 121.144.03 | 2    | Master cylinder set        |
| 26  | 088.040.03 | 1    | L/h mirror                 |
| 27  | 088.041.03 | 1    | R/h mirror                 |
| 28  | 121.152.00 | 1    | L/h front brake pump clamp |
| 29  | 034.106.03 | 1    | Throttle cable opening     |
| 30  | 184.247.00 | 2    | Front brake pump screw     |
| 31  | 184.094.13 | 1    | Handlebar washer           |

**Impianto elettrico  
 Electrical devices**


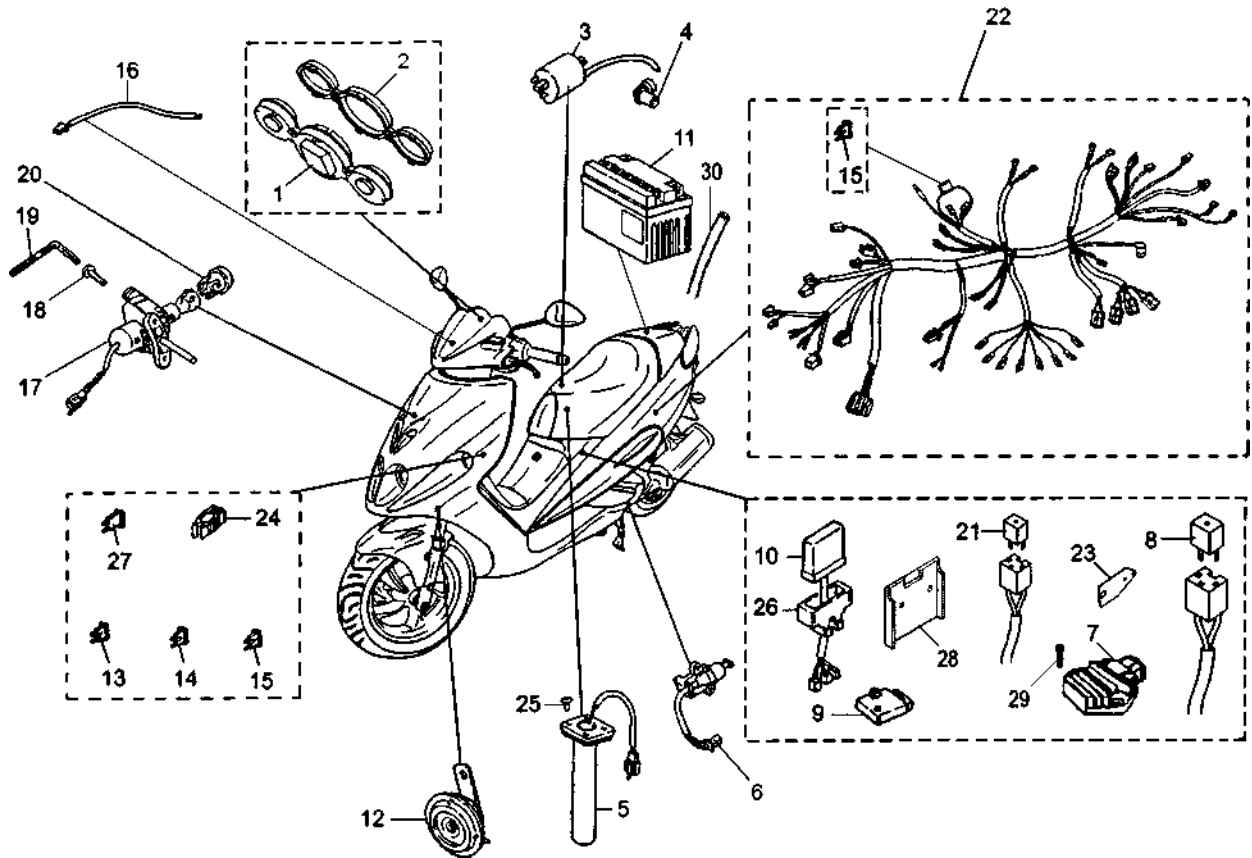
| Nr. | Codice     | Q.tà | Descrizione                           |
|-----|------------|------|---------------------------------------|
| 1   | 015.044.00 | 1    | Faro anteriore sx (abbagliante)       |
| 2   | 022.099.00 | 1    | Lampada H3 - 12 V - 55 W              |
| 3   | 022.050.00 | 1    | Lampada luce targa 12 V - 5 W         |
| 4   | 019.089.00 | 1    | Coppia indicatore direzione anteriore |
| 5   | 019.090.00 | 1    | Indicatore posteriore completo dx     |
| 6   | 017.354.00 | 1    | Cablaggio fanale posteriore           |
| 7   | 019.101.00 | 1    | Cp. vetri indicatori posteriori       |
| 8   | 022.102.00 | 2    | Lampada stop centrale 12 V - 16 W     |
| 9   | 017.368.00 | 1    | Cablaggio principale                  |
| 10  | 016.071.00 | 1    | Fanale targa                          |
| 11  | 019.091.00 | 1    | Indicatore posteriore sx completo     |
| 12  | 017.353.00 | 1    | Cablaggio faro anteriore              |
| 13  | 022.106.00 | 4    | Lampada frecce 12 V - 10 W            |
| 14  | 015.056.00 | 1    | Faro anteriore dx (anabbagliante)     |
| 15  | 016.070.00 | 1    | Fanale posteriore                     |
| 16  | 072.069.00 | 1    | Cappuccio faro                        |
| 17  | 071.511.00 | 1    | Supporto fari                         |
| 18  | 022.104.00 | 1    | Lampada HB3 - 12 V - 60 W             |
| 19  | 075.010.00 | 2    | Silentblock faro                      |
| 20  | 071.445.16 | 2    | Anello adattatore fari                |
| 21  | 072.168.00 | 2    | Cappuccio frecce                      |
| 22  | 167.039.00 | 4    | Fascetta ferma cablaggio              |
| 23  |            |      | <b>NON FORNIBILE</b>                  |
| 24  | 022.047.00 | 2    | Lampada luce posizione 12 V - 3 W     |

| Nr. | Code       | Q.ty | Description                   |
|-----|------------|------|-------------------------------|
| 1   | 015.044.00 | 1    | Headlight assy left           |
| 2   | 022.099.00 | 1    | H3 - 12 V - 55 W bulb         |
| 3   | 022.050.00 | 1    | 12 V - 5 W bulb               |
| 4   | 019.089.00 | 1    | R/h - l/h indicator set       |
| 5   | 019.090.00 | 1    | R/h rear indicator assy       |
| 6   | 017.242.00 | 1    | Rear light wiring harness     |
| 7   | 019.101.00 | 1    | R/h - l/h rear light lens set |
| 8   | 022.102.00 | 2    | 12 V - 16 W bulb              |
| 9   | 017.368.00 | 1    | Main wiring harness           |
| 10  | 016.071.00 | 1    | Number plate light            |
| 11  | 019.091.00 | 1    | L/h rear indicator assy       |
| 12  | 017.353.00 | 1    | Front light wiring harness    |
| 13  | 022.106.00 | 4    | 12 V - 10 W bulb              |
| 14  | 015.056.00 | 1    | Headlight assy right          |
| 15  | 016.070.00 | 1    | Tail light assy               |
| 16  | 072.069.00 | 1    | Headlight cap                 |
| 17  | 071.511.00 | 1    | Headlight bracket             |
| 18  | 022.104.00 | 1    | Lampada HB3 - 12 V - 60 W     |
| 19  | 075.010.00 | 2    | Silentblock                   |
| 20  | 071.445.16 | 2    | Headlight ring                |
| 21  | 072.168.00 | 2    | Indicator cap                 |
| 22  | 167.039.00 | 4    | Clamp                         |
| 23  |            |      | <b>NOT AVAILABLE</b>          |
| 24  | 022.047.00 | 2    | 12 V - 3 W bulb               |



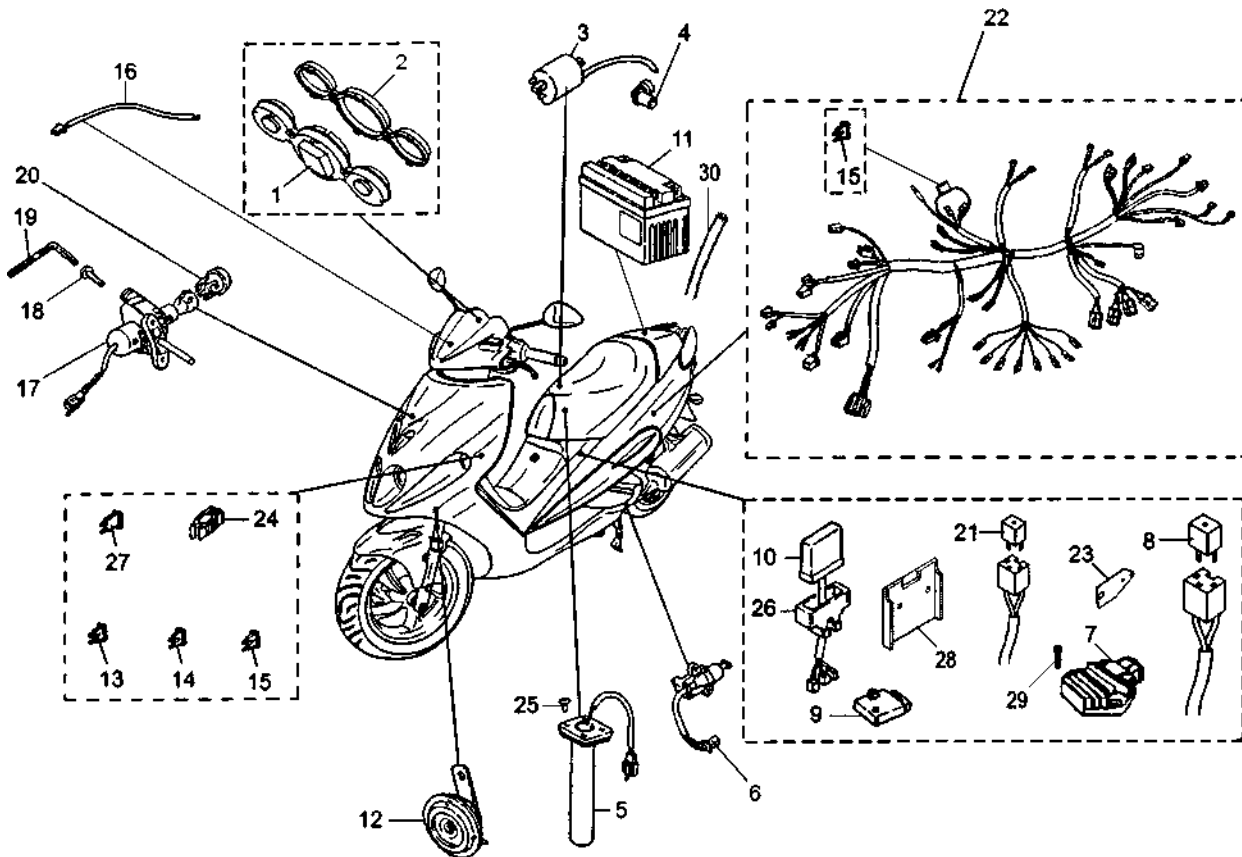
| Nr. | Codice     | Q.tà | Descrizione                          |
|-----|------------|------|--------------------------------------|
| 25  | 190.004.00 | 8    | Vite fissaggio faro                  |
| 26  | 022.103.00 | 10   | Lampada stop 12 V - 2,3 W            |
| 27  | 184.274.00 | 1    | Kit regolazione faro                 |
| 28  | 184.199.15 | 1    | Vite luce targa                      |
| 29  | 184.118.15 | 6    | Vite freccia anteriore / posteriore  |
| 30  | 184.045.14 | 8    | Rondella fissaggio faro              |
| 31  | 184.052.13 | 2    | Rondella frecce posteriori           |
| 32  | 184.078.13 | 2    | Dado frecce posteriori               |
| 33  | 184.060.15 | 2    | Vite fissaggio frecce posteriori     |
| 34  | 184.137.00 | 2    | Vite fissaggio scudo - telaietto     |
| 35  | 184.079.13 | 2    | Rondella fissaggio scudo - telaietto |
| 36  | 185.027.00 | 8    | Dado fissaggio faro - telaietto      |

| Nr. | Code       | Q.ty | Description                            |
|-----|------------|------|--|
| 25  | 190.004.00 | 8    | Headlight fixing screw                 |
| 26  | 022.103.00 | 10   | 12 V - 2,3 W bulb                      |
| 27  | 184.274.00 | 1    | Headlight adjusting kit                |
| 28  | 184.199.15 | 1    | Number plate light screw               |
| 29  | 184.118.15 | 6    | Front / rear indicator screw           |
| 30  | 184.045.14 | 8    | Headlight fixing washer                |
| 31  | 184.052.13 | 2    | Rear indicator washer                  |
| 32  | 184.078.13 | 2    | Rear indicator nut                     |
| 33  | 184.060.15 | 2    | Rear indicator fixing screw            |
| 34  | 184.137.00 | 2    | Fixing screw (front shield - bracket)  |
| 35  | 184.079.13 | 2    | Fixing washer (front shield - bracket) |
| 36  | 185.027.00 | 8    | Fixing nut (headlight - bracket)       |

**Impianto elettrico**  
**Electrical parts**


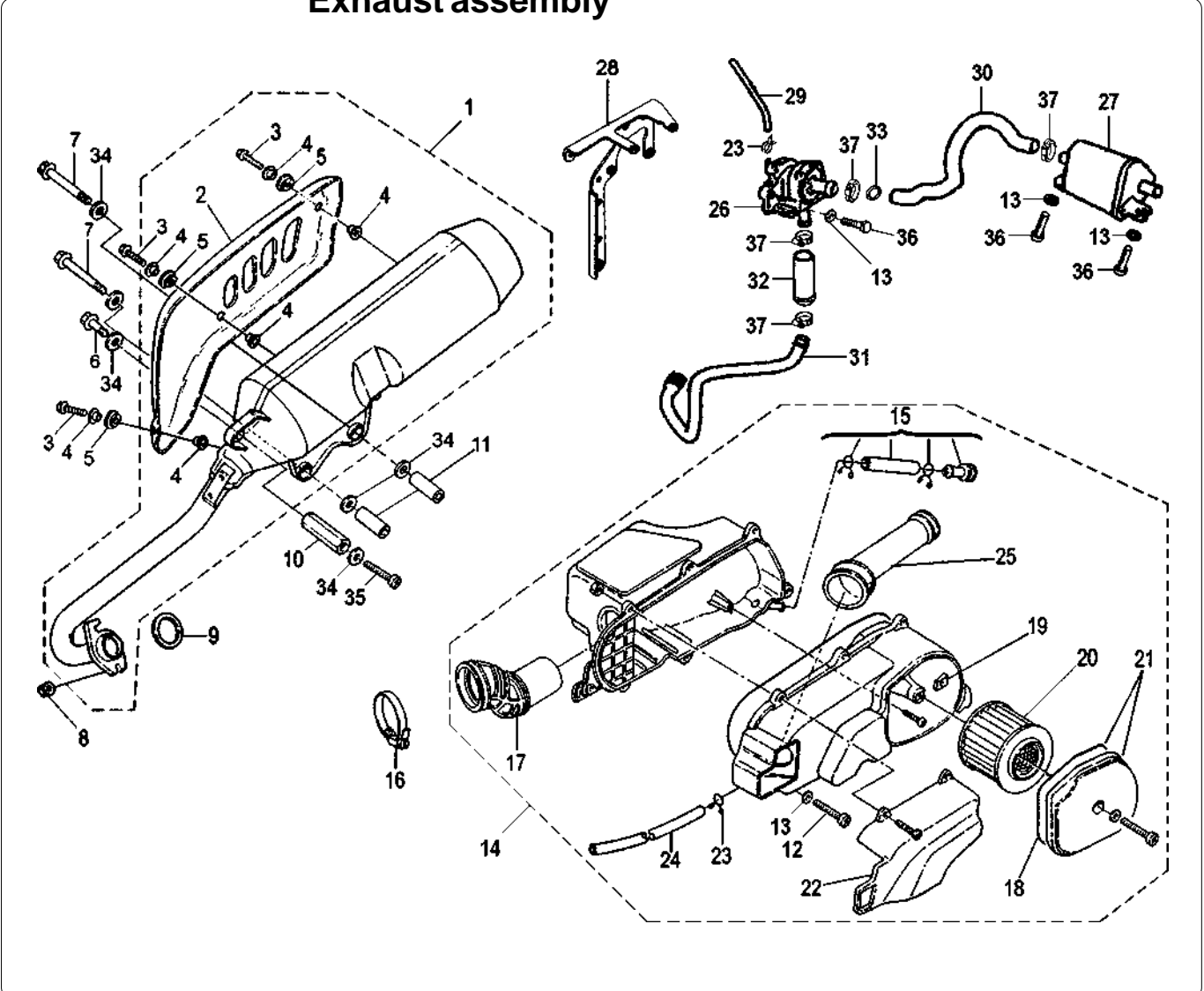
| Nr. | Codice     | Q.tà | Descrizione                      |
|-----|------------|------|----------------------------------|
| 1   | 196.140.00 | 1    | Cruscotto completo               |
| 2   | 071.615.16 | 1    | Trasparente cruscotto + cornice  |
| 3   | 024.050.00 | 1    | Bobina                           |
| 4   | 073.016.00 | 1    | Pipetta candela con cappuccio    |
| 5   | 093.076.00 | 1    | Sonda livello benzina            |
| 6   | 021.016.00 | 1    | Interruttore cavalletto laterale |
| 7   | 026.014.00 | 1    | Regolatore                       |
| 8   | 025.025.00 | 1    | Relais avviamento                |
| 9   | 025.023.00 | 1    | Intermittenza                    |
| 10  | 024.102.00 | 1    | Centralina elettronica           |
| 11  | 074.023.00 | 1    | Batteria 12 V - 9 Ah             |
| 12  | 018.054.00 | 1    | Avvisatore acustico              |
| 13  | 025.022.00 | 2    | Fusibile 7,5 A                   |
| 14  | 025.010.00 | 1    | Fusibile 10 A                    |
| 15  | 025.031.00 | 2    | Fusibile 15 A                    |
| 16  | 021.024.00 | 1    | Sensore temperatura              |
| 17  | 090.059.00 | 1    | Commutatore avviamento           |
| 18  | 184.218.00 | 2    | Vite antimanomissione            |
| 19  | 086.014.00 | 1    | Chiave vite antimanomissione     |
| 20  | 071.388.00 | 1    | Cappuccio commutatore            |
| 21  | 025.015.00 | 1    | Relais                           |
| 22  | 017.368.00 | 1    | Cablaggio principale             |
| 23  | 191.078.13 | 1    | Piastra dissipatrice             |
| 24  | 071.389.00 | 1    | Pinzetta fusibili                |

| Nr. | Code       | Q.ty | Description                 |
|-----|------------|------|-----------------------------|
| 1   | 196.140.00 | 1    | Dashboard clocks assy       |
| 2   | 071.615.16 | 1    | Dashboard glass + rim       |
| 3   | 024.050.00 | 1    | Coil                        |
| 4   | 073.016.00 | 1    | Spark plug cap              |
| 5   | 093.076.00 | 1    | Fuel level gauge            |
| 6   | 021.016.00 | 1    | Side stand switch           |
| 7   | 026.014.00 | 1    | Regulator                   |
| 8   | 025.025.00 | 1    | Starter relay               |
| 9   | 025.023.00 | 1    | Flasher relay               |
| 10  | 024.102.00 | 1    | CDI                         |
| 11  | 074.023.00 | 1    | 12 V - 9 Ah battery         |
| 12  | 018.054.00 | 1    | Horn                        |
| 13  | 025.022.00 | 2    | 7,5 A fuse                  |
| 14  | 025.010.00 | 1    | 10 A fuse                   |
| 15  | 025.031.00 | 2    | 15 A fuse                   |
| 16  | 021.024.00 | 1    | Temperature gauge           |
| 17  | 090.059.00 | 1    | Ignition barrel             |
| 18  | 184.218.00 | 2    | Antitampering screw         |
| 19  | 086.014.00 | 1    | Antitampering screw spanner |
| 20  | 071.388.00 | 1    | Ignition barrel cap         |
| 21  | 025.015.00 | 1    | Relay                       |
| 22  | 017.368.00 | 1    | Main wiring harness         |
| 23  | 191.078.13 | 1    | Heat sink                   |
| 24  | 071.389.00 | 1    | Fuse plier                  |

**Impianto elettrico**  
**Electrical parts**


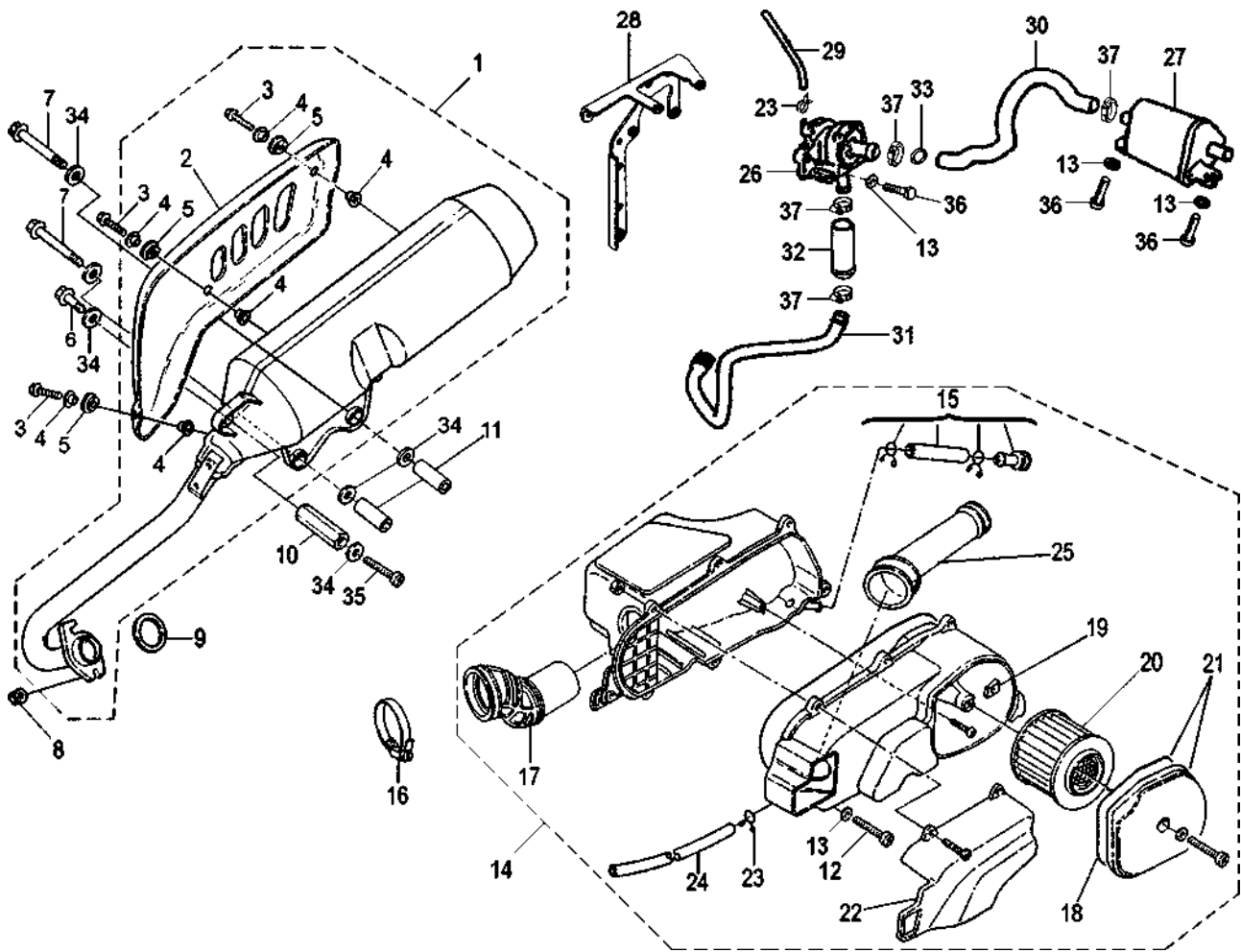
| Nr. | Codice     | Q.tà | Descrizione                        |
|-----|------------|------|------------------------------------|
| 25  | 184.009.00 | 4    | Vite sonda benzina                 |
| 26  | 072.110.00 | 1    | Supporto centralina                |
| 27  | 025.032.00 | 4    | Portafusibile                      |
| 28  | 191.084.13 | 1    | Gruppo supporto centralina         |
| 29  | 184.089.13 | 4    | Vite fissaggio bobina - regolatore |
| 30  | 180.003.64 | 1    | Tubo sfiato batteria               |
| --  | 090.056.00 | 1    | Kit serratura completa             |

| Nr. | Code       | Q.ty | Description            |
|-----|------------|------|------------------------|
| 25  | 184.009.00 | 4    | Fuel level gauge screw |
| 26  | 072.110.00 | 1    | CDI rubber mounting    |
| 27  | 025.032.00 | 4    | Fuse holder            |
| 28  | 191.084.13 | 1    | CDI bracket mounting   |
| 29  | 184.089.13 | 4    | Fixing screw           |
| 30  | 180.003.64 | 1    | Battery hose           |
| --  | 090.056.00 | 1    | Lock set               |



| Nr. | Codice     | Q.tà | Descrizione                      |
|-----|------------|------|----------------------------------|
| 1   | 165.170.00 | 1    | Marmitta completa                |
| 2   | 166.040.99 | 1    | Protezione marmitta              |
| 3   | 184.104.13 | 3    | Vite fissaggio protezione        |
| 4   | 150.148.14 | 6    | Boccola marmitta                 |
| 5   | 080.013.00 | 3    | Gommino passavite                |
| 6   | 184.090.13 | 1    | Vite fissaggio marmitta          |
| 7   | 184.222.13 | 2    | Vite fissaggio marmitta          |
| 8   | 184.153.14 | 2    | Dado fissaggio marmitta          |
| 9   | 072.090.00 | 1    | Guarnizione scarico              |
| 10  | 150.242.15 | 1    | Distanziale marmitta             |
| 11  | 150.241.13 | 2    | Distanziale marmitta             |
| 12  | 184.091.15 | 2    | Vite cassetta aspirazione        |
| 13  | 184.051.13 | 6    | Rondella                         |
| 14  | 066.076.03 | 1    | Cassetta aspirazione completa    |
| 15  | 180.033.00 | 1    | Tubo scarico con tappo           |
| 16  | 167.047.00 | 1    | Fascetta manicotto               |
| 17  | 076.023.00 | 1    | Manicotto esterno                |
| 18  | 072.125.00 | 1    | Guarnizione coperchio filtro     |
| 19  | 184.206.00 | 1    | Clips per vite                   |
| 20  | 066.124.00 | 1    | Filtro aria                      |
| 21  | 066.096.00 | 1    | Coperchio filtro con guarnizione |
| 22  | 071.384.03 | 1    | Carter cassetta aspirazione      |
| 23  | 167.018.13 | 3    | Molletta tubo                    |
| 24  | 180.026.07 | 1    | Tubo sfiato cassetta             |
| 25  | 076.024.00 | 1    | Manicotto interno                |

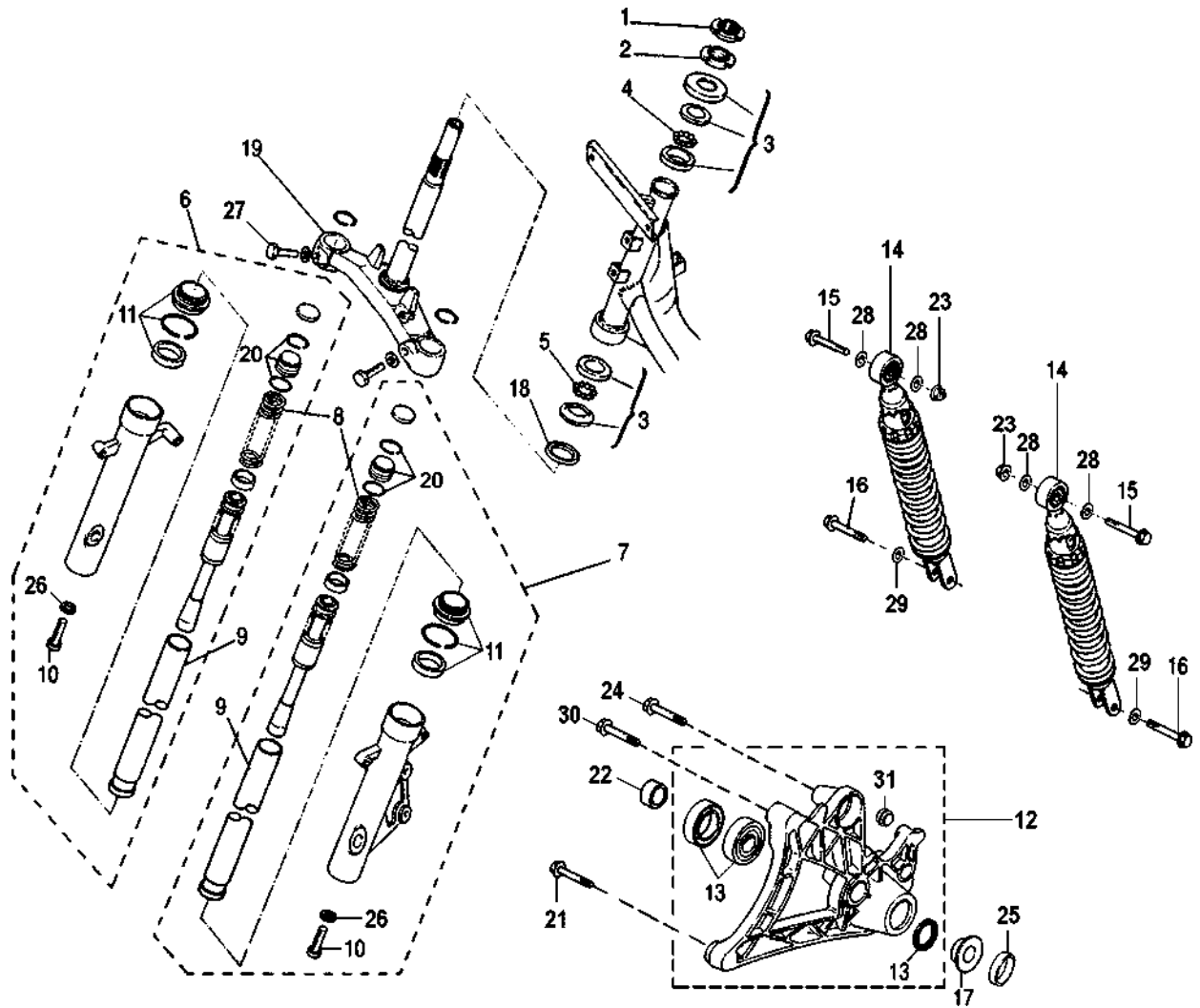
| Nr. | Code       | Q.ty | Description           |
|-----|------------|------|-----------------------|
| 1   | 165.170.00 | 1    | Exhaust complete      |
| 2   | 166.040.99 | 1    | Heat shield           |
| 3   | 184.104.13 | 3    | Shield fixing screw   |
| 4   | 150.148.14 | 6    | Bush                  |
| 5   | 080.013.00 | 3    | Grommet               |
| 6   | 184.090.13 | 1    | Fixing screw          |
| 7   | 184.222.13 | 2    | Fixing screw          |
| 8   | 184.153.14 | 2    | Fixing nut            |
| 9   | 072.090.00 | 1    | Exhaust gasket        |
| 10  | 150.242.15 | 1    | Spacer                |
| 11  | 150.241.13 | 2    | Spacer                |
| 12  | 184.091.15 | 2    | Screw                 |
| 13  | 184.051.13 | 6    | Washer                |
| 14  | 066.076.03 | 1    | Air box complete      |
| 15  | 180.033.00 | 1    | Hose set              |
| 16  | 167.047.00 | 1    | Clamp                 |
| 17  | 076.023.00 | 1    | Air box/carb. sleeve  |
| 18  | 072.125.00 | 1    | Air box gasket        |
| 19  | 184.206.00 | 1    | Clips                 |
| 20  | 066.124.00 | 1    | Air filter            |
| 21  | 066.096.00 | 1    | Cover                 |
| 22  | 071.384.03 | 1    | Air box case          |
| 23  | 167.018.13 | 3    | Hose spring           |
| 24  | 180.026.07 | 1    | Hose                  |
| 25  | 076.024.00 | 1    | Air box intake sleeve |



| Nr. | Codice     | Q.tà | Descrizione                          |
|-----|------------|------|--------------------------------------|
| 26  | 094.039.00 | 1    | Valvola aria AIS                     |
| 27  | 094.033.00 | 1    | Filtro valvola aria AIS              |
| 28  | 191.079.13 | 1    | Piastra supporto                     |
| 29  | 180.042.50 | 1    | Tubo depressione valvola             |
| 30  | 077.057.00 | 1    | Tubo valvola aria - filtro aria      |
| 31  | 180.058.00 | 1    | Tubo valvola aria - testa            |
| 32  | 180.059.00 | 1    | Tubo valvola                         |
| 33  | 072.172.00 | 1    | Guarnizione valvola                  |
| 34  | 184.077.13 | 6    | Rondella fissaggio marmitta          |
| 35  | 184.181.13 | 1    | Vite fissaggio distanziale           |
| 36  | 184.089.13 | 4    | Vite fissaggio valvola aria - filtro |
| 37  | 167.031.00 | 4    | Fascetta                             |

| Nr. | Code       | Q.ty | Description              |
|-----|------------|------|--------------------------|
| 26  | 094.039.00 | 1    | AIS air valve            |
| 27  | 094.033.00 | 1    | AIS air valve filter     |
| 28  | 191.079.13 | 1    | Plate                    |
| 29  | 180.042.50 | 1    | Air valve hose           |
| 30  | 077.057.00 | 1    | Hose ( valve - air box ) |
| 31  | 180.058.00 | 1    | Hose ( valve - head )    |
| 32  | 180.059.00 | 1    | Air valve hose           |
| 33  | 072.172.00 | 1    | Gasket                   |
| 34  | 184.077.13 | 6    | Exhaust fixing washer    |
| 35  | 184.181.13 | 1    | Screw                    |
| 36  | 184.089.13 | 4    | Screw                    |
| 37  | 167.031.00 | 4    | Clamp                    |



**Sospensione anteriore & posteriore**  
**Front & rear suspension**


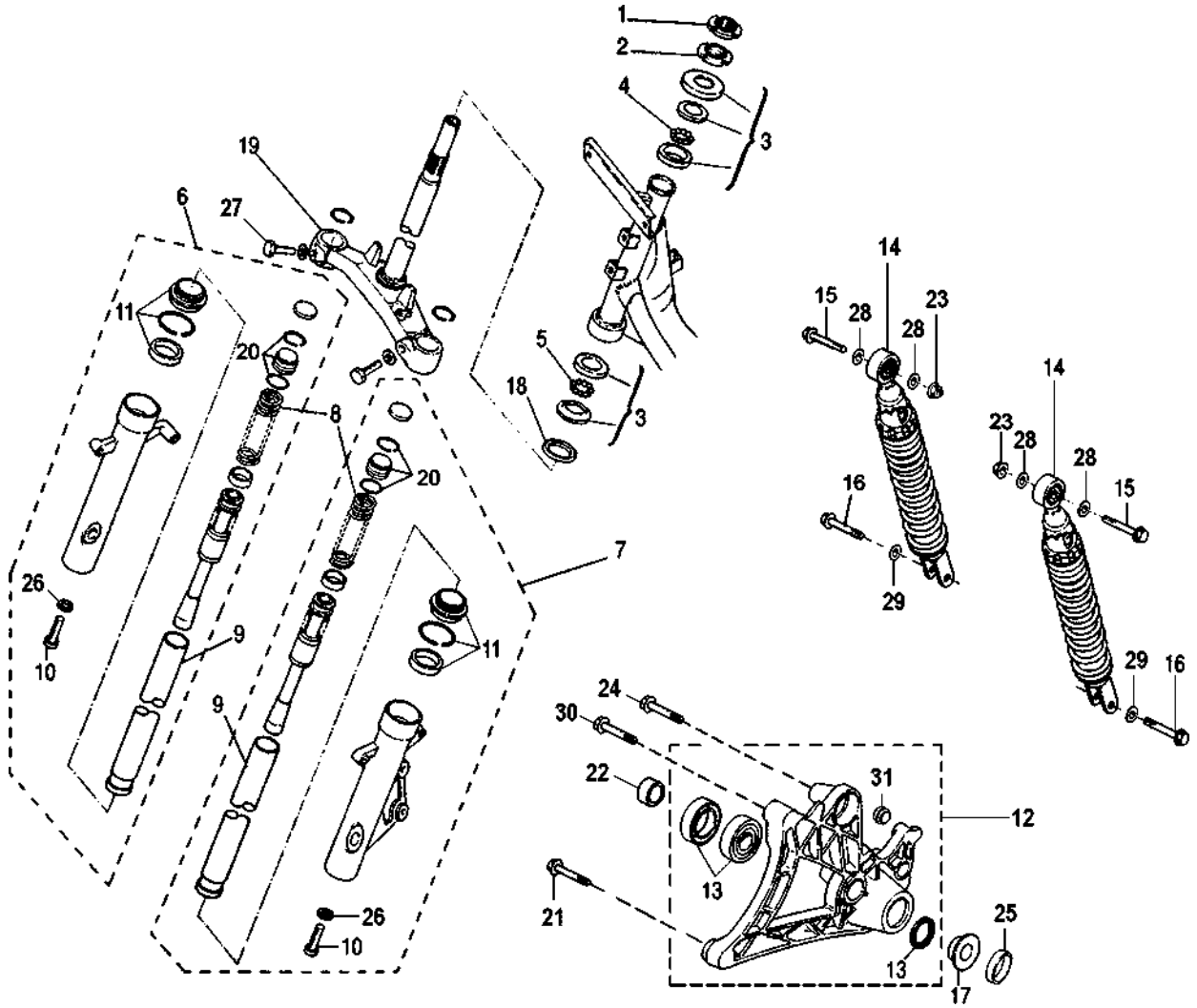
| Nr. | Codice     | Q.tà | Descrizione                       |
|-----|------------|------|-----------------------------------|
| 1   | 185.009.13 | 1    | Ghiera autobloccante di fissaggio |
| 2   | 185.023.13 | 1    | Ghiera di fissaggio               |
| 3   | 104.030.00 | 1    | Serie sterzo completa             |
| 4   | 120.261.00 | 22   | Sfere 3/16" (superiori)           |
| 5   | 120.378.00 | 21   | Sfere 1/4" (inferiori)            |
| 6   | 120.459.00 | 1    | Portaruota completo dx            |
| 7   | 120.458.00 | 1    | Portaruota completo sx            |
| 8   | 120.462.00 | 2    | Molla forcella                    |
| 9   | 120.461.00 | 2    | Canna completa                    |
| 10  | 184.248.01 | 2    | Vite fissaggio canna              |
| 11  | 120.463.00 | 2    | Kit paraolio - parapolvere        |
| 12  | 183.011.00 | 1    | Braccio completo                  |
| 13  | 104.032.00 | 1    | Kit anelli - cuscinetto braccio   |
| 14  | 010.063.03 | 2    | Ammortizzatori                    |
| 15  | 184.033.13 | 2    | Vite ammortizzatore superiore     |
| 16  | 184.038.13 | 2    | Vite ammortizzatore inferiore     |
| 17  | 150.221.14 | 1    | Distanziale con battuta           |
| 18  | 072.094.00 | 1    | Anello parapolvere                |
| 19  | 120.460.00 | 1    | Gruppo trapezio                   |
| 20  | 120.464.00 | 1    | Kit chiusura tubo canna           |
| 21  | 184.284.13 | 1    | Vite fissaggio braccio inferiore  |
| 22  | 150.222.14 | 1    | Distanziale con battuta           |
| 23  | 184.115.13 | 2    | Dado fissaggio ammortizzatore     |
| 24  | 184.181.13 | 1    | Vite fissaggio braccio            |

| Nr. | Code       | Q.ty | Description                       |
|-----|------------|------|-----------------------------------|
| 1   | 185.009.13 | 1    | Steering head nut                 |
| 2   | 185.023.13 | 1    | Steering nut                      |
| 3   | 104.030.00 | 1    | Steering head cap set             |
| 4   | 120.261.00 | 22   | Steering ball cages 3/16" (upper) |
| 5   | 120.378.00 | 21   | Steering ball cages 1/4" (lower)  |
| 6   | 120.459.00 | 1    | R/h fork leg assy                 |
| 7   | 120.458.00 | 1    | L/h fork leg assy                 |
| 8   | 120.462.00 | 2    | Spring                            |
| 9   | 120.461.00 | 2    | Tube complete                     |
| 10  | 184.248.01 | 2    | Fixing screw                      |
| 11  | 120.463.00 | 2    | Fork bush/seal kit                |
| 12  | 183.011.00 | 1    | Rear swinging arm assy            |
| 13  | 104.032.00 | 1    | Swinging arm bearing              |
| 14  | 010.063.03 | 2    | Shock absorbers                   |
| 15  | 184.033.13 | 2    | Screw                             |
| 16  | 184.038.13 | 2    | Screw                             |
| 17  | 150.221.14 | 1    | Spacer                            |
| 18  | 072.094.00 | 1    | Dust seal                         |
| 19  | 120.460.00 | 1    | Stem steering                     |
| 20  | 120.464.00 | 1    | Closing tube kit                  |
| 21  | 184.284.13 | 1    | Screw                             |
| 22  | 150.222.14 | 1    | Spacer                            |
| 23  | 184.115.13 | 2    | Fixing nut                        |
| 24  | 184.181.13 | 1    | Screw                             |

# F 12 MAX - 125 Euro 2

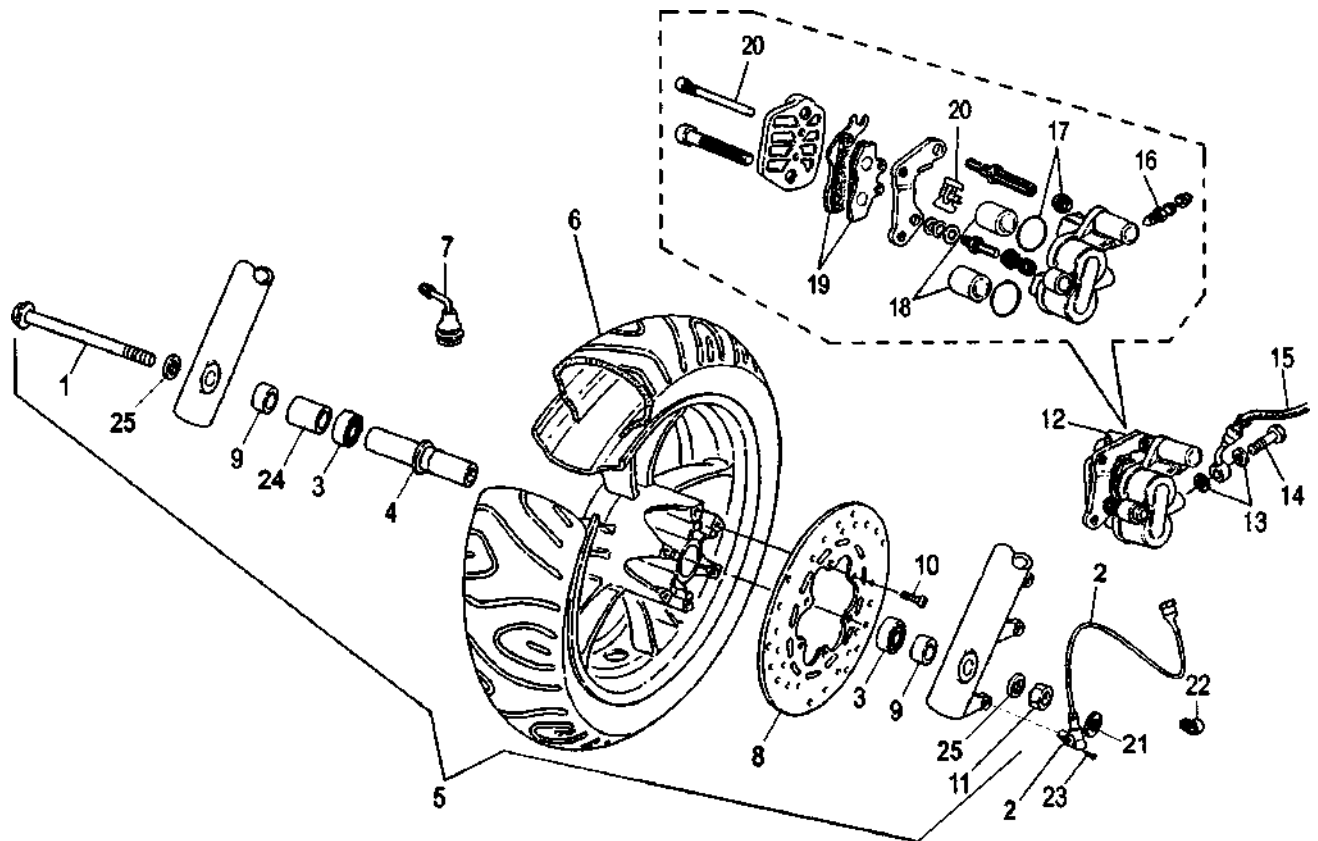
## Sospensione anteriore & posteriore

### Front & rear suspension



| Nr. | Codice     | Q.tà | Descrizione                      |
|-----|------------|------|----------------------------------|
| 25  | 150.223.00 | 1    | Distanziale ruota                |
| 26  | 120.467.00 | 2    | Rondella rame base fodero        |
| 27  | 184.126.13 | 2    | Vite fissaggio trapezio          |
| 28  | 184.094.13 | 4    | Rondella                         |
| 29  | 184.053.13 | 2    | Rondella                         |
| 30  | 184.124.13 | 1    | Vite fissaggio braccio superiore |
| 31  | 075.027.00 | 1    | Silentblock braccio              |
| --  | 013.054.50 | 1    | Forcella completa                |

| Nr. | Code       | Q.ty | Description     |
|-----|------------|------|-----------------|
| 25  | 150.223.00 | 1    | Spacer          |
| 26  | 120.467.00 | 2    | Washer          |
| 27  | 184.126.13 | 2    | Screw           |
| 28  | 184.094.13 | 4    | Washer          |
| 29  | 184.053.13 | 2    | Washer          |
| 30  | 184.124.13 | 1    | Screw           |
| 31  | 075.027.00 | 1    | Silentblock     |
| --  | 013.054.50 | 1    | Front fork assy |

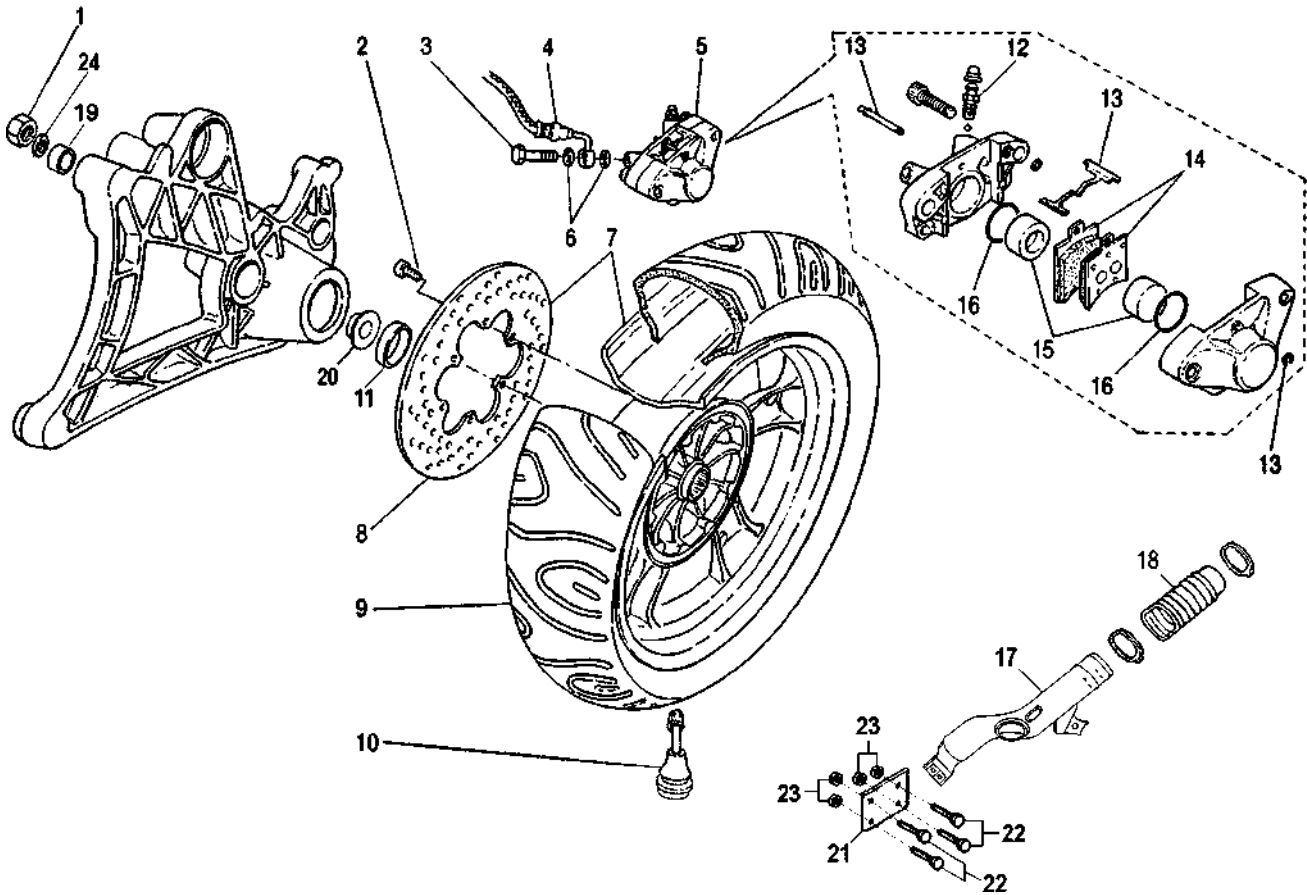
**Ruota anteriore & impianto frenante**  
**Front wheel & brake system**


| Nr. | Codice      | Q.tà | Descrizione                            |
|-----|-------------|------|--|
| 1   | 119.474.00  | 1    | Perno ruota anteriore                  |
| 2   | 178.182.00  | 1    | Rinvio kontakm elettronico Hall        |
| 3   | 119.478.00  | 2    | Cuscinetto ruota                       |
| 4   | 119.473.00  | 1    | Distanziale interno                    |
| 5   | 109.051.- - | 1    | Ruota anteriore integrale *            |
| 6   | 050.060.00  | 1    | Copertura 130/70 - 13" tubeless        |
| 7   | 094.008.00  | 1    | Valvola tubeless                       |
| 8   | 119.498.00  | 1    | Disco freno anteriore                  |
| 9   | 119.477.00  | 2    | Distanziale ruota                      |
| 10  | 119.476.00  | 6    | Vite disco freno                       |
| 11  | 184.220.13  | 1    | Dado ruota anteriore                   |
| 12  | 031.025.03  | 1    | Pinza freno anteriore completa         |
| 13  | 190.006.00  | 2    | Rasamento                              |
| 14  | 150.024.14  | 1    | Vite trasmissione idraulica            |
| 15  | 033.052.00  | 1    | Trasmissione idraulica anteriore       |
| 16  | 119.436.00  | 1    | Valvola spurgo pinza freno             |
| 17  | 119.492.00  | 1    | Kit anelli di tenuta pinza freno       |
| 18  | 119.495.00  | 1    | Pistoncini pinza freno                 |
| 19  | 119.493.00  | 1    | Cp. pastiglie freno anteriori          |
| 20  | 119.494.00  | 1    | Kit fissaggio pastiglie freno          |
| 21  | 191.086.15  | 1    | Distanziale rinvio kontakm             |
| 22  | 167.062.00  | 2    | Fascetta trasmissione kontakm          |
| 23  | 184.105.15  | 1    | Vite fissaggio rinvio elettronico Hall |
| 24  | 150.296.13  | 1    | Distanziale ruota                      |
| 25  | 119.224.00  | 2    | Rondella ruota                         |

\* Specificare colore

| Nr. | Code        | Q.ty | Description                |
|-----|-------------|------|----------------------------|
| 1   | 119.474.00  | 1    | Front wheel spindle        |
| 2   | 178.182.00  | 1    | Speedo drive Hall          |
| 3   | 119.478.00  | 2    | Bearing                    |
| 4   | 119.473.00  | 1    | Spacer                     |
| 5   | 109.051.- - | 1    | Front wheel assy *         |
| 6   | 050.060.00  | 1    | Tyre tubeless 130/70 - 13" |
| 7   | 094.008.00  | 1    | Wheel valve                |
| 8   | 119.498.00  | 1    | Brake disc                 |
| 9   | 150.296.13  | 1    | Spacer                     |
| 10  | 119.476.00  | 6    | Front brake disc screw     |
| 11  | 184.220.13  | 1    | Nut                        |
| 12  | 031.025.03  | 1    | Front brake caliper        |
| 13  | 190.006.00  | 2    | Copper banjo washer        |
| 14  | 150.024.14  | 1    | Hydraulic hose screw       |
| 15  | 033.052.00  | 1    | Front brake hose           |
| 16  | 119.436.00  | 1    | Screw                      |
| 17  | 119.492.00  | 1    | Seal ring set              |
| 18  | 119.495.00  | 1    | Front brake pistons        |
| 19  | 119.493.00  | 1    | Brake pad set              |
| 20  | 119.494.00  | 1    | Pad fixing set             |
| 21  | 191.086.15  | 1    | Spacer                     |
| 22  | 167.062.00  | 2    | Clamp                      |
| 23  | 184.105.15  | 1    | Screw                      |
| 24  | 119.477.00  | 2    | Spacer                     |
| 25  | 119.224.00  | 2    | Washer                     |

\* To be completed with colour code

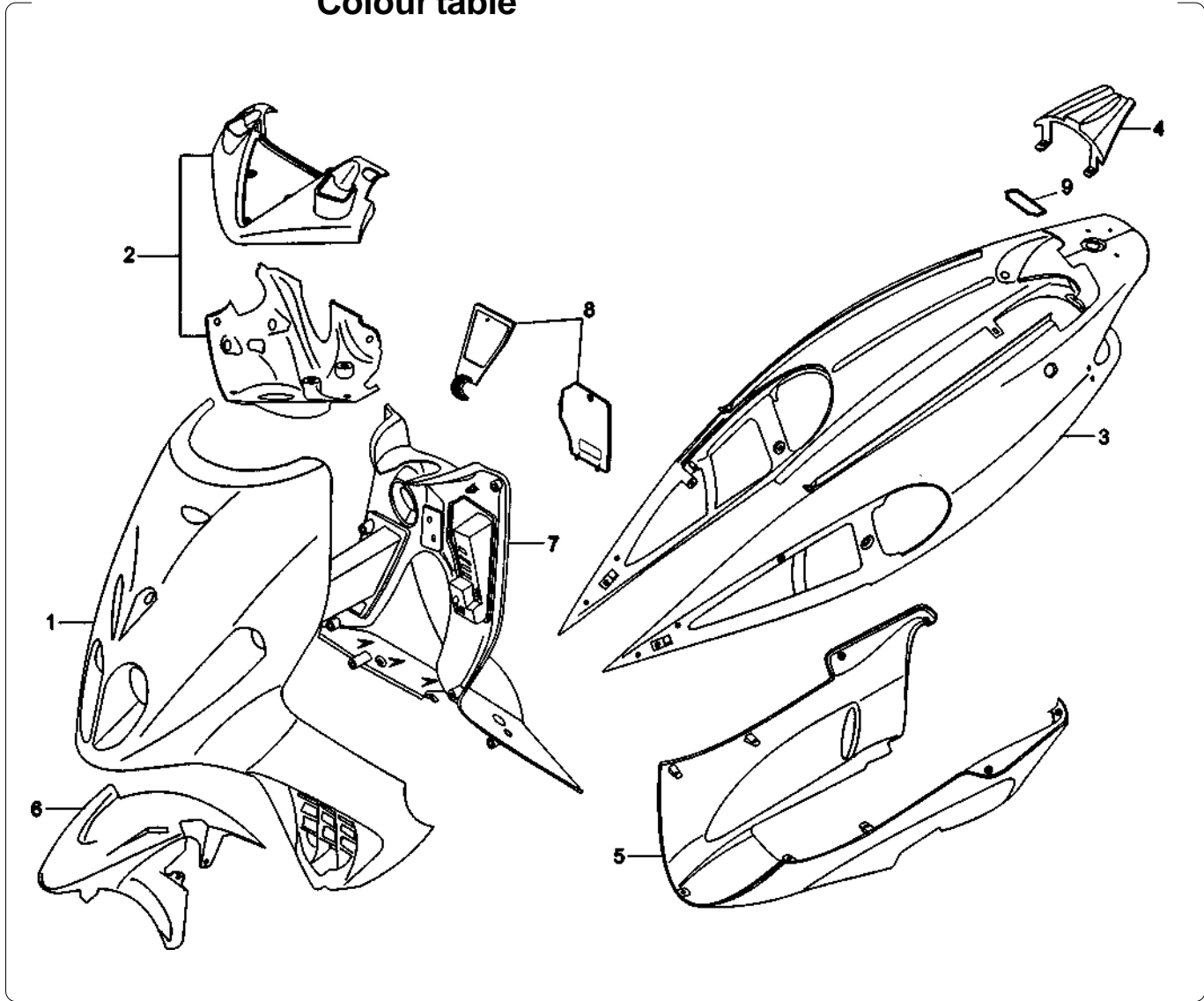


| Nr. | Codice     | Q.tà | Descrizione                           |
|-----|------------|------|---------------------------------------|
| 1   | 185.010.00 | 1    | Dado ruota posteriore                 |
| 2   | 119.484.00 | 6    | Vite disco freno                      |
| 3   | 150.024.14 | 1    | Vite trasmissione idraulica           |
| 4   | 033.057.00 | 1    | Trasmissione idraulica posteriore     |
| 5   | 031.027.03 | 1    | Pinza freno posteriore completa       |
| 6   | 190.006.00 | 2    | Rasamento                             |
| 7   | 110.055.-  | 1    | Ruota posteriore integrale *          |
| 8   | 119.483.00 | 1    | Disco freno posteriore                |
| 9   | 050.057.00 | 1    | Copertura 130/60 - 13" tubeless       |
| 10  | 094.021.00 | 1    | Valvola tubeless                      |
| 11  | 150.223.00 | 1    | Distanziale ruota                     |
| 12  | 119.279.00 | 1    | Vite spurgo pinza freno               |
| 13  | 119.487.00 | 1    | Kit molle pinza freno                 |
| 14  | 119.491.00 | 1    | Cp. pastiglie freno posteriori        |
| 15  | 119.488.00 | 1    | Pistoncini pinza freno                |
| 16  | 119.440.00 | 1    | Kit gommini pinza freno               |
| 17  | 071.472.03 | 1    | Convogliatore aria                    |
| 18  | 076.034.00 | 1    | Manicotto raffreddamento trasmissione |
| 19  | 150.222.14 | 1    | Distanziale con battuta               |
| 20  | 150.221.14 | 1    | Distanziale con battuta               |
| 21  | 191.081.13 | 1    | Piastra fissaggio CVT                 |
| 22  | 184.258.00 | 4    | Vite fissaggio piastra                |
| 23  | 184.153.14 | 4    | Dado fissaggio piastra                |
| 24  | 119.224.00 | 2    | Rondella ruota                        |

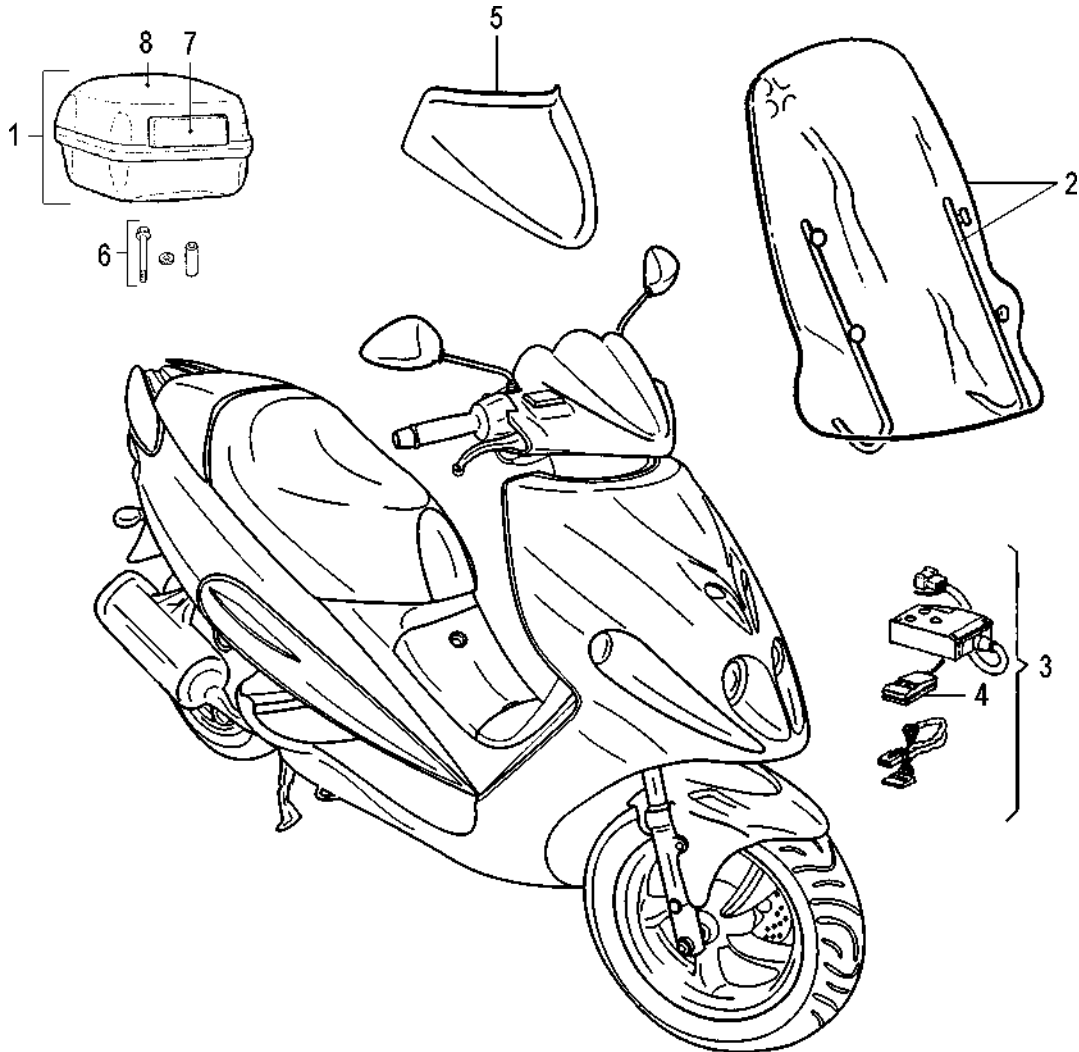
\* Specificare colore

| Nr. | Code       | Q.ty | Description                |
|-----|------------|------|----------------------------|
| 1   | 185.010.00 | 1    | Wheel fixing nut           |
| 2   | 119.484.00 | 6    | Rear brake disc screw      |
| 3   | 150.024.14 | 1    | Hydraulic hose screw       |
| 4   | 033.057.00 | 1    | Rear brake hose            |
| 5   | 031.027.03 | 1    | Rear brake caliper         |
| 6   | 190.006.00 | 2    | Copper banjo washer        |
| 7   | 110.055.-  | 1    | Rear wheel assy *          |
| 8   | 119.483.00 | 1    | Brake disc                 |
| 9   | 050.057.00 | 1    | Tyre tubeless 130/60 - 13" |
| 10  | 094.021.00 | 1    | Wheel valve                |
| 11  | 150.223.00 | 1    | Spacer                     |
| 12  | 119.279.00 | 1    | Screw                      |
| 13  | 119.487.00 | 1    | Support pad set            |
| 14  | 119.491.00 | 1    | Brake pad set              |
| 15  | 119.488.00 | 1    | Brake pistons              |
| 16  | 119.440.00 | 1    | Seal ring set              |
| 17  | 071.472.03 | 1    | Air intake                 |
| 18  | 076.034.00 | 1    | Cooling sleeve             |
| 19  | 150.222.14 | 1    | Spacer                     |
| 20  | 150.221.14 | 1    | Spacer                     |
| 21  | 191.081.13 | 1    | CVT fixing plate           |
| 22  | 184.258.00 | 4    | CVT fixing screw           |
| 23  | 184.153.14 | 4    | CVT fixing nut             |
| 24  | 119.224.00 | 2    | Washer                     |

\* To be completed with colour code

**Colori moto  
Colour table**

**TABELLA COLORI - COLOUR CODES**
**Colori - Colours**

| <b>N°<br/>Nr.</b> | <b>Codice<br/>Code</b> | <b>50</b><br>Blu Notte-Titanio<br>DarkBlue-Titanium | <b>51</b><br>Blu Yamaha-Nero Velvet<br>YamahaBlue-Velvet Black | <b>87</b><br>Argento Lucido<br>Bright Silver | <b>93</b><br>Nero Velvet<br>Velvet Black | <b>94</b><br>Blu Notte<br>Dark Blue |  |
|-------------------|------------------------|---|--|--|--|-------------------------------------|--|
| 1                 | 066.133.               | 50  | 51   | 87   | 93                                       | 94                                  |  |
| 2                 | 071.581.               | 94  | 84   | 87   | 93                                       | 94                                  |  |
| 3                 | 063.229.               | 94  | 84   | 87   | 93                                       | 94                                  |  |
| 4                 | 063.235.               | 94  | 84   | 87   | 93                                       | 94                                  |  |
| 5                 | 063.228.               | 98  | 93   | 87   | 93                                       | 94                                  |  |
| 6                 | 055.062.               | 98  | 93   | 87   | 93                                       | 94                                  |  |
| 7                 | 065.086.               | 94  | 84   | 87   | 93                                       | 94                                  |  |
| 8                 | 071.582.               | 94  | 84   | 87   | 93                                       | 94                                  |  |
| 9                 | 071.514.               | 94  | 84   | 87   | 93                                       | 94                                  |  |
| --                | 181.384.               | 00  | 00   | 00   | 00                                       | 00                                  |  |

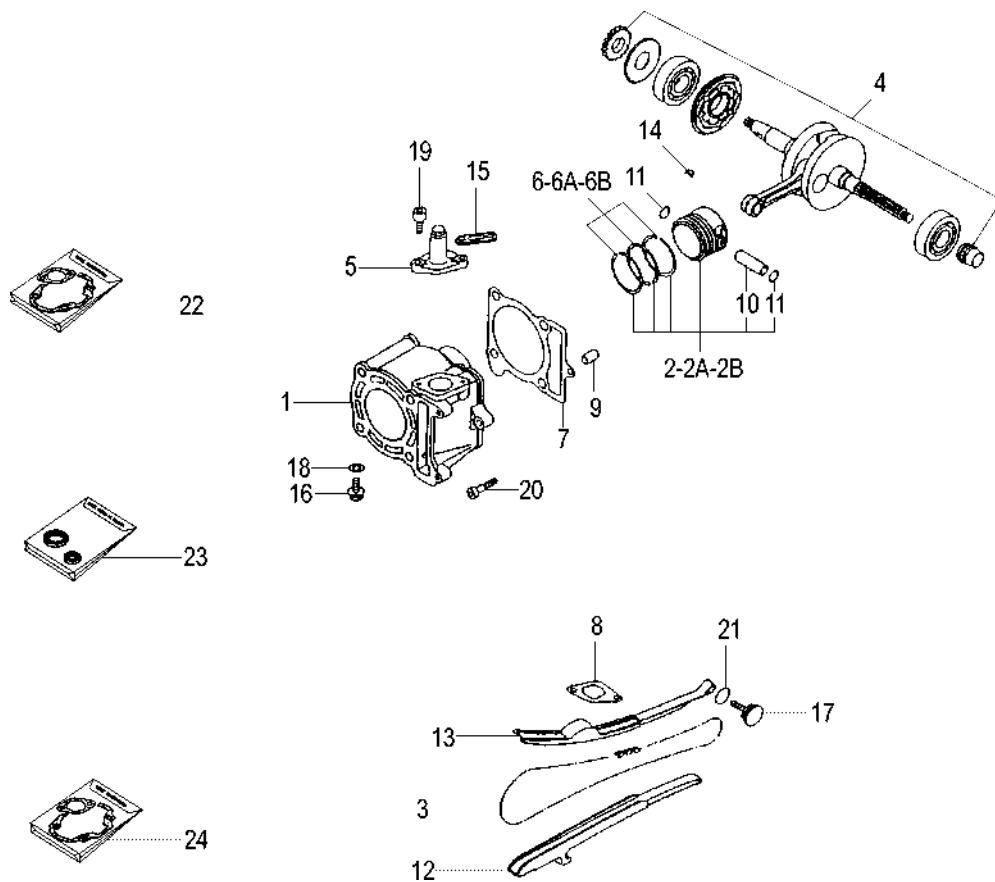
**Accessori  
Accessories**


| Nr. | Codice      | Q.tà | Descrizione                    |
|-----|-------------|------|--------------------------------|
| 1   | 065.150. -- | 1    | Baulone porta casco            |
| 2   | 063.240.00  | 1    | Parabrezza alto                |
| 3   | 018.076.00  | 1    | Antifurto elettronico completo |
| 4   | 018.079.00  | 1    | Telecomando                    |
| 5   | 063.241.00  | 1    | Cupolino plexiglass            |
| 6   | 150.315.00  | 1    | Kit fissaggio baulone          |
| 7   | 065.084.03  | 1    | Schianalino bauletto           |
| 8   | 065.111. -- | 1    | Cover bauletto                 |
| --  | 065.066.00  | 1    | Coprimoto scooter              |

| Nr. | Code        | Q.ty | Description         |
|-----|-------------|------|---------------------|
| 1   | 065.150. -- | 1    | Top case            |
| 2   | 063.240.00  | 1    | High windscreen     |
| 3   | 018.076.00  | 1    | Alarm complete      |
| 4   | 018.079.00  | 1    | Remote control      |
| 5   | 063.241.00  | 1    | Cowling plexiglass  |
| 6   | 150.315.00  | 1    | Top case fixing kit |
| 7   | 065.084.03  | 1    | Top case cushion    |
| 8   | 065.111. -- | 1    | Top case cover      |
| --  | 065.066.00  | 1    | Canvas cover        |

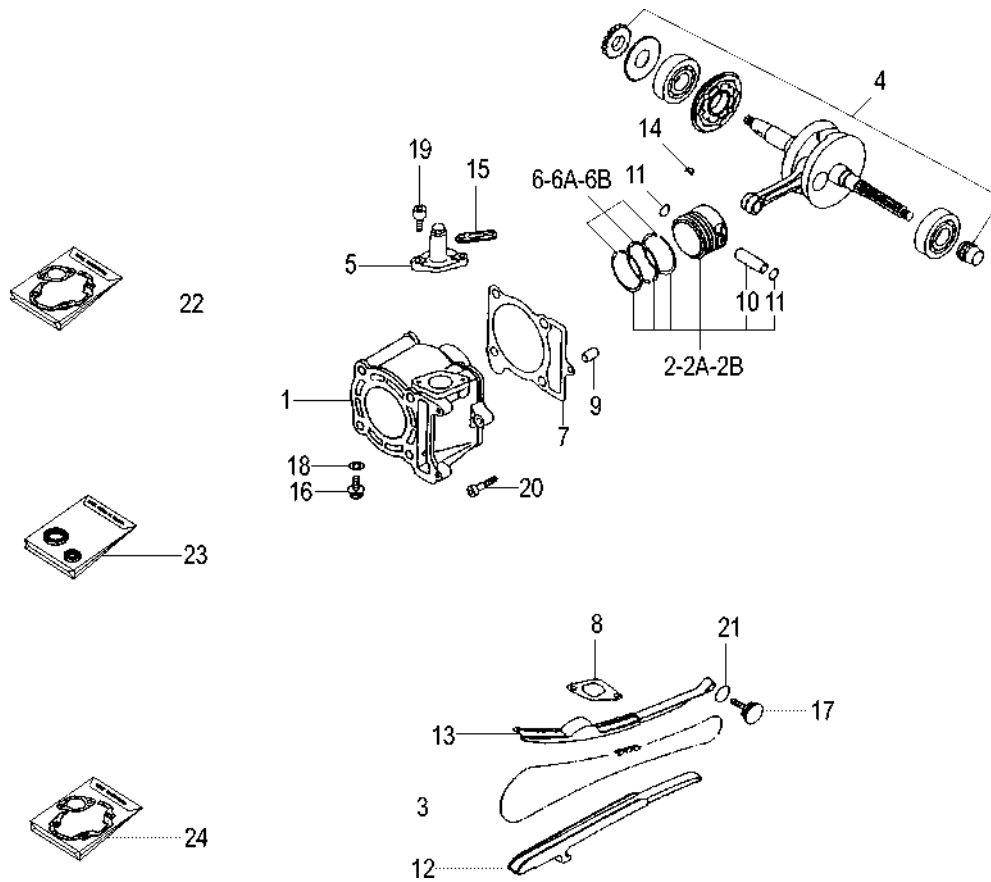
**Tabella colori baulone - Top case colour codes**

| N°<br>Nr. | Codice<br>Code | Nero<br>Black | Blu Yamaha<br>Yamaha Blue | Argento Lucido<br>Bright Silver | Nero Velvet<br>Velvet Black | Blu Notte<br>Dark Blue |
|-----------|----------------|---------------|---------------------------|---------------------------------|-----------------------------|------------------------|
| 1         | 065.150.       | 03            | 84                        | 87                              | 93                          | 94                     |
| 8         | 065.111.       | 03            | 84                        | 87                              | 93                          | 94                     |



| Nr. | Codice            | Q.tà | Descrizione  |
|-----|-------------------|------|--|
| 1   | 771.182.00        | 1    | Cilindro completo  |
| 2   | 771.183.00        | 1    | Pistone  |
| 2A  | 771.184.00        | 1    | Pistone completo - 1° maggiorazione                          |
| 2B  | 771.185.00        | 1    | Pistone completo - 2° maggiorazione                          |
| 3   | 717.008.00        | 1    | Catena distribuzione   |
| 4   | 771.186.00        | 1    | Imbiellaggio completo  |
| 5   | 765.009.00        | 1    | Tenditore catena   |
| 6   | 771.187.00        | 1    | Serie segmenti   |
| 6A  | 771.188.00        | 1    | Serie segmenti - 1° maggiorazione                            |
| 6B  | 771.189.00        | 1    | Serie segmenti - 2° maggiorazione                            |
| 7   | <b>NONGESTITO</b> |      | Guarnizione base cilindro<br><b>Vedi articolo 799.114.00</b> |
| 8   | <b>NONGESTITO</b> |      | Guarnizione tenditore<br><b>Vedi articolo 799.114.00</b>     |
| 9   | 756.090.00        | 10   | Grano riferimento  |
| 10  | 756.112.00        | 1    | Spinotto pistone   |
| 11  | 703.030.00        | 2    | Seeger spinotto  |
| 12  | 724.080.00        | 1    | Guida catena inferiore                                       |
| 13  | 724.079.00        | 1    | Guida catena superiore                                       |
| 14  | 749.107.00        | 1    | Chiavetta volano magnete                                     |
| 15  | 749.227.00        | 2    | Fascetta passatubo   |
| 16  | 749.269.00        | 3    | Vite cilindro  |
| 17  | 749.246.00        | 1    | Vite guida catena  |
| 18  | 749.255.00        | 6    | Rondella   |
| 19  | 749.257.00        | 2    | Vite tenditore   |

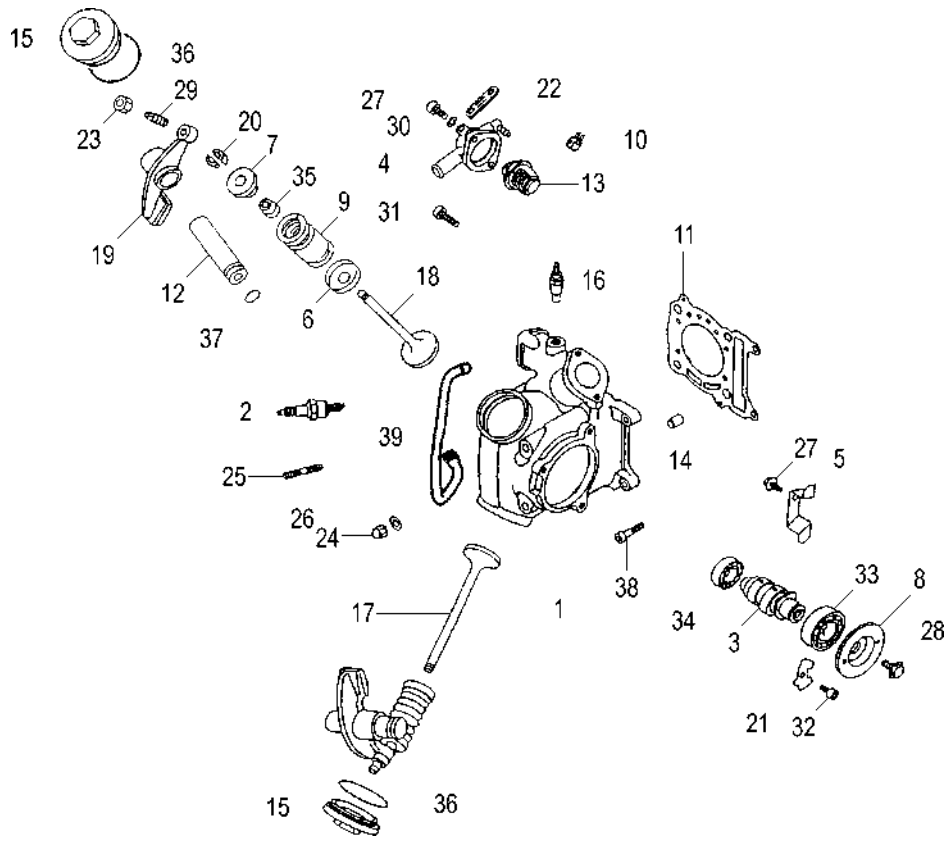
| Nr. | Code               | Q.ty | Description  |
|-----|--------------------|------|--|
| 1   | 771.182.00         | 1    | Cylinder assy  |
| 2   | 771.183.00         | 1    | Piston   |
| 2A  | 771.184.00         | 1    | 1° oversized piston assy                               |
| 2B  | 771.184.00         | 1    | 2° oversized piston assy                               |
| 3   | 717.008.00         | 1    | Timing chain   |
| 4   | 771.186.00         | 1    | Crankshaft assy  |
| 5   | 765.009.00         | 1    | Chain tensioner  |
| 6   | 771.187.00         | 1    | Piston rings set                                       |
| 6A  | 771.188.00         | 1    | 1° oversized piston rings set                          |
| 6B  | 771.189.00         | 1    | 2° oversized piston rings set                          |
| 7   | <b>UNAVAILABLE</b> |      | Base cylinder gasket<br><b>Refer to Nr. 799.114.00</b> |
| 8   | <b>UNAVAILABLE</b> |      | Tensioner gasket<br><b>Refer to Nr. 799.114.00</b>     |
| 9   | 756.090.00         | 10   | Pin  |
| 10  | 756.112.00         | 1    | Piston pin   |
| 11  | 703.030.00         | 2    | Piston pin seeger                                      |
| 12  | 724.080.00         | 1    | Timing chain sliding shoe lower                        |
| 13  | 724.079.00         | 1    | Timing chain sliding shoe upper                        |
| 14  | 749.107.00         | 1    | Woodruff key   |
| 15  | 749.227.00         | 2    | Clamp  |
| 16  | 749.269.00         | 3    | Screw  |
| 17  | 749.246.00         | 1    | Screw  |
| 18  | 749.255.00         | 6    | Washer   |
| 19  | 749.257.00         | 2    | Screw  |



| Nr. | Codice     | Q.tà | Descrizione                    |
|-----|------------|------|--------------------------------|
| 20  | 749.068.00 | 3    | Vite cilindro                  |
| 21  | 753.149.00 | 1    | Anello tenuta guida catena     |
| 22  | 799.117.00 | 1    | Serie guarnizioni motore       |
| 23  | 799.110.00 | 1    | Serie paraolio motore          |
| 24  | 799.114.00 | 1    | Kit guarnizioni gruppo termico |
| --  | 142.125.03 | 1    | Motore completo                |

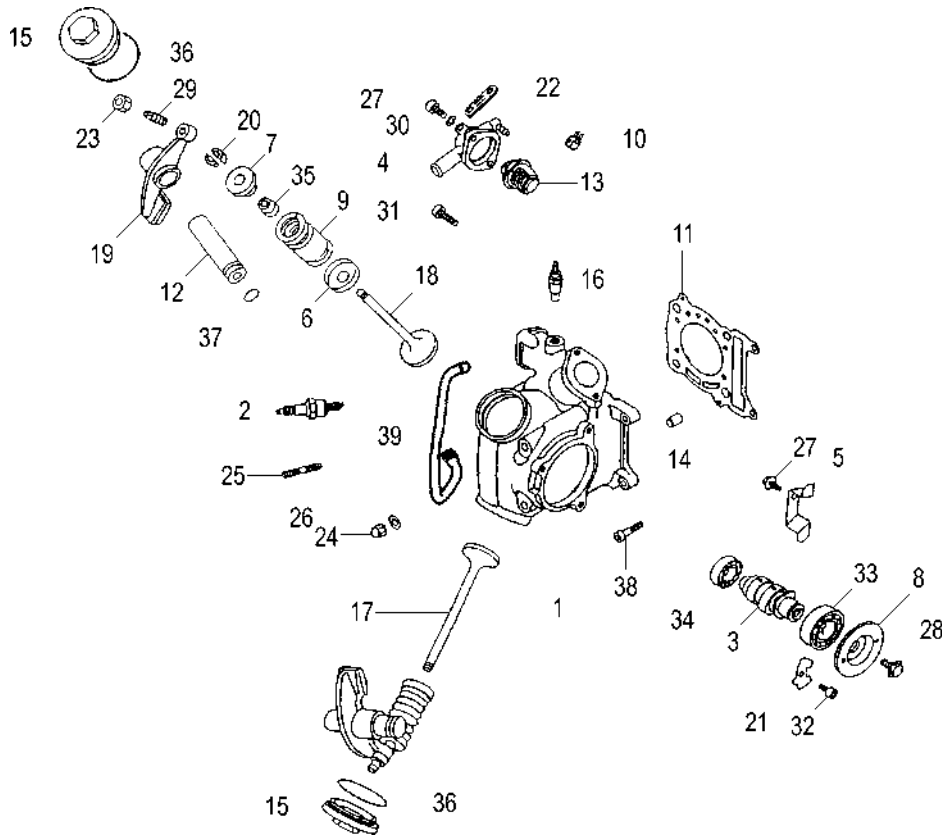
| Nr. | Code       | Q.ty | Description             |
|-----|------------|------|-------------------------|
| 20  | 749.068.00 | 3    | Screw                   |
| 21  | 753.149.00 | 1    | Seal ring               |
| 22  | 799.117.00 | 1    | Engine gasket set       |
| 23  | 799.110.00 | 1    | Engine oil seal set     |
| 24  | 799.114.00 | 1    | Thermic unit gasket set |
| --  | 142.125.03 | 1    | Engine assy             |





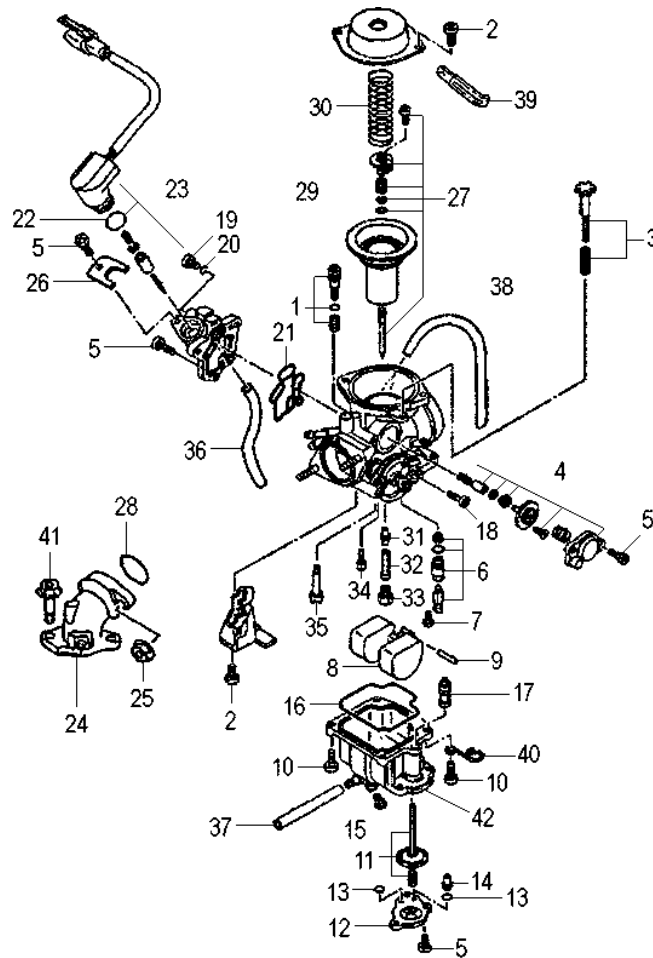
| Nr. | Codice            | Q.tà | Descrizione  |
|-----|-------------------|------|--|
| 1   | 777.023.00        | 1    | Testa completa                                       |
| 2   | 711.009.00        | 1    | Candela NGK CR8E                                     |
| 3   | 701.070.00        | 1    | Albero a camme                                       |
| 4   | 721.075.00        | 1    | Coperchio termostato                                 |
| 5   | 726.037.00        | 1    | Piastra fissaggio perni bilanciere                   |
| 6   | 726.039.00        | 2    | Scodellino valvole inferiore                         |
| 7   | 726.040.00        | 2    | Scodellino valvole superiore                         |
| 8   | 740.177.00        | 1    | Corona catena distribuzione                          |
| 9   | 746.053.00        | 2    | Molle valvole  |
| 10  | 749.225.00        | 2    | Fascetta elastica                                    |
| 11  | <b>NONGESTITO</b> |      | Guarnizione testa<br><b>Vedi articolo 799.114.00</b> |
| 12  | 756.108.00        | 2    | Perno bilanciere                                     |
| 13  | 756.089.00        | 1    | Termostato   |
| 14  | 756.090.00        | 10   | Grano riferimento                                    |
| 15  | 756.111.00        | 2    | Tappo chiusura foro testa                            |
| 16  | 756.110.00        | 1    | Sonda termica  |
| 17  | 760.057.00        | 1    | Valvola scarico                                      |
| 18  | 760.058.00        | 1    | Valvola aspirazione                                  |
| 19  | 701.055.00        | 2    | Bilanciere valvole                                   |
| 20  | 703.029.00        | 4    | Anello tenuta molle valvole                          |
| 21  | 726.057.00        | 1    | Piastra bloccaggio albero camme                      |
| 22  | 749.227.00        | 2    | Fascetta passatubo                                   |
| 23  | 749.229.00        | 2    | Dado registro bilanciere                             |

| Nr. | Code               | Q.ty | Description  |
|-----|--------------------|------|--|
| 1   | 777.023.00         | 1    | Cylinder head assy                                     |
| 2   | 711.009.00         | 1    | NGK CR8E spark plug                                    |
| 3   | 701.070.00         | 1    | Cam shaft assy   |
| 4   | 721.075.00         | 1    | Thermo-switch case                                     |
| 5   | 726.037.00         | 1    | Fixing plate   |
| 6   | 726.039.00         | 2    | Valve cap lower  |
| 7   | 726.040.00         | 2    | Valve cap upper  |
| 8   | 740.177.00         | 1    | Timing sprocket  |
| 9   | 746.053.00         | 2    | Valve spring   |
| 10  | 749.225.00         | 2    | Clamp  |
| 11  | <b>UNAVAILABLE</b> |      | Head cylinder gasket<br><b>Refer to Nr. 799.114.00</b> |
| 12  | 756.108.00         | 2    | Rocker arm pin   |
| 13  | 756.089.00         | 1    | Thermo-switch  |
| 14  | 756.090.00         | 10   | Pin  |
| 15  | 756.111.00         | 2    | Plug   |
| 16  | 756.110.00         | 1    | Thermistor   |
| 17  | 760.057.00         | 1    | Exhaust valve  |
| 18  | 760.058.00         | 1    | Intake valve   |
| 19  | 701.055.00         | 2    | Valve rocker arm                                       |
| 20  | 703.029.00         | 4    | Valve spring seal                                      |
| 21  | 726.057.00         | 1    | Camshaft blocking plate                                |
| 22  | 749.227.00         | 2    | Clamp  |
| 23  | 749.229.00         | 2    | Nut  |



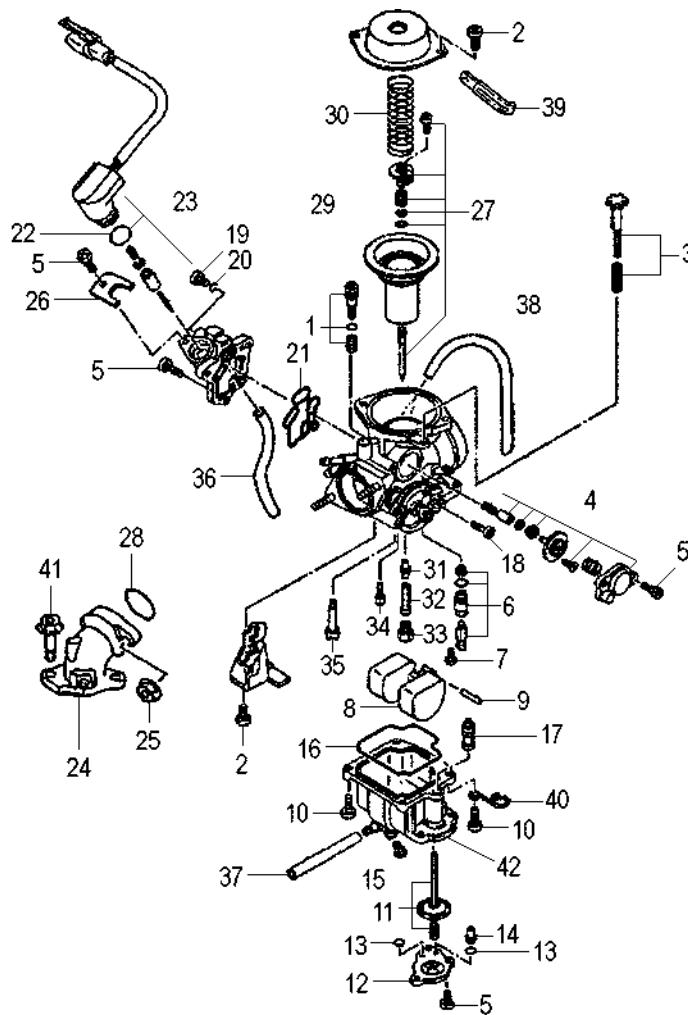
| Nr. | Codice     | Q.tà | Descrizione                    |
|-----|------------|------|--------------------------------|
| 24  | 749.232.00 | 4    | Dado testa                     |
| 25  | 749.234.00 | 2    | Prigioniero testa              |
| 26  | 749.239.00 | 4    | Rondella                       |
| 27  | 749.269.00 | 3    | Vite coperchio termostato      |
| 28  | 749.244.00 | 1    | Vite corona distribuzione      |
| 29  | 749.245.00 | 2    | Vite registro valvole          |
| 30  | 749.253.00 | 1    | Rondella                       |
| 31  | 749.266.00 | 4    | Vite testa                     |
| 32  | 749.176.00 | 1    | Vite piastra                   |
| 33  | 751.073.00 | 1    | Cuscinetto albero a camme      |
| 34  | 751.074.00 | 1    | Cuscinetto albero a camme      |
| 35  | 753.163.00 | 2    | Anello tenuta stelo valvole    |
| 36  | 753.145.00 | 2    | Anello tenuta tappo testa      |
| 37  | 753.146.00 | 2    | Anello tenuta perno bilancieri |
| 38  | 749.068.00 | 3    | Vite testa                     |
| 39  | 180.058.00 | 1    | Tubo valvola aria - testa      |
| --  | 142.125.03 | 1    | Motore completo                |

| Nr. | Code       | Q.ty | Description           |
|-----|------------|------|-----------------------|
| 24  | 749.232.00 | 4    | Nut                   |
| 25  | 749.234.00 | 2    | Head stud bolt        |
| 26  | 749.239.00 | 4    | Washer                |
| 27  | 749.269.00 | 3    | Screw                 |
| 28  | 749.244.00 | 1    | Screw                 |
| 29  | 749.245.00 | 2    | Valve adjusting screw |
| 30  | 749.253.00 | 1    | Washer                |
| 31  | 749.266.00 | 4    | Screw                 |
| 32  | 749.176.00 | 1    | Screw                 |
| 33  | 751.073.00 | 1    | Bearing               |
| 34  | 751.074.00 | 1    | Bearing               |
| 35  | 753.163.00 | 2    | Valve stem seal       |
| 36  | 753.145.00 | 2    | Seal ring             |
| 37  | 753.146.00 | 2    | Seal ring             |
| 38  | 749.068.00 | 3    | Screw                 |
| 39  | 180.058.00 | 1    | Hose ( valve - head ) |
| --  | 142.125.03 | 1    | Engine assy           |

**Carburatore  
Carburettor**


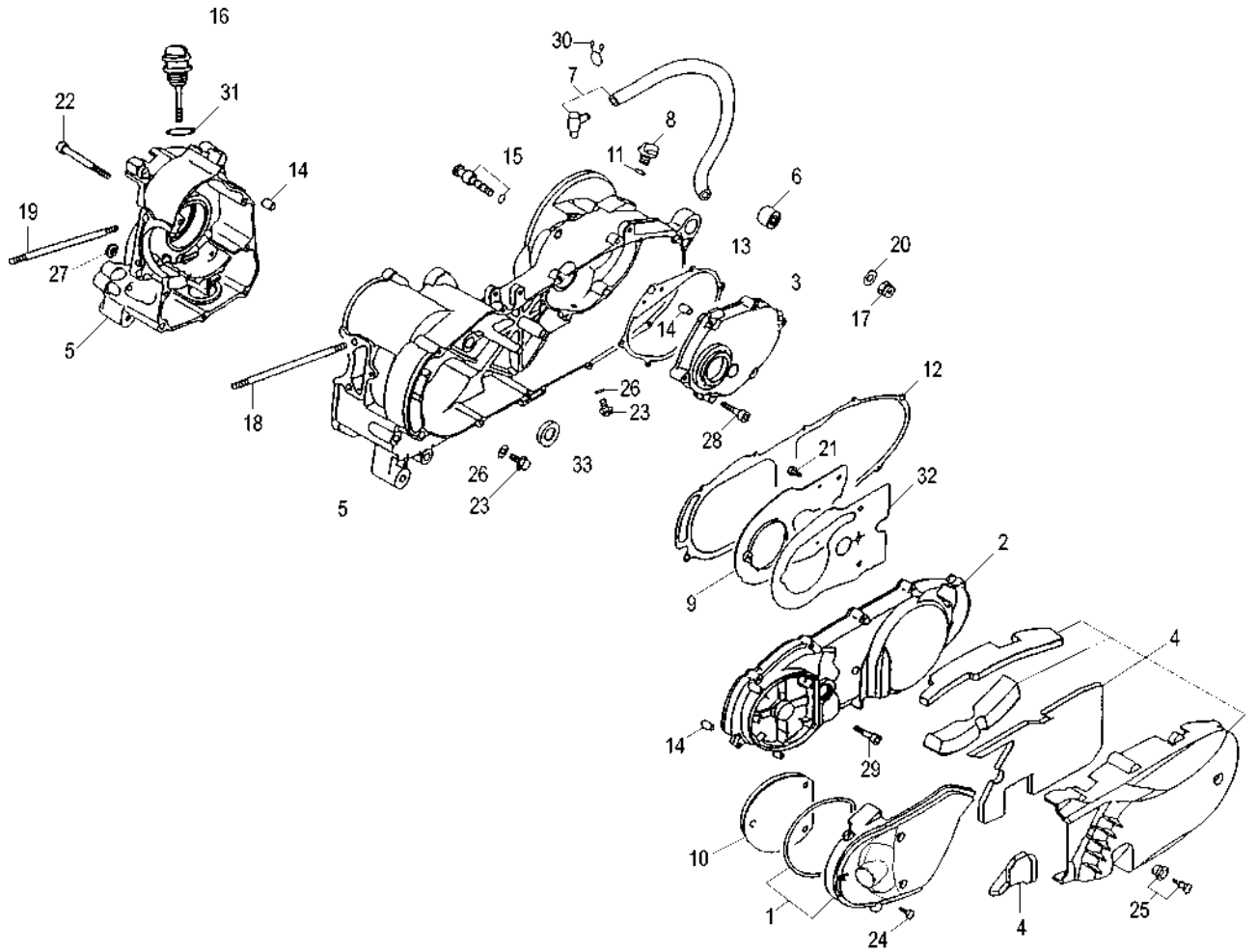
| Nr. | Codice     | Q.tà | Descrizione                 |
|-----|------------|------|-----------------------------|
| 1   | 623.303.00 | 1    | Set vite minimo             |
| 2   | 623.304.00 | 4    | Vite coperchio              |
| 3   | 623.305.00 | 1    | Vite aria                   |
| 4   | 623.309.00 | 1    | Gruppo membrana             |
| 5   | 623.313.00 | 8    | Vite membrana               |
| 6   | 623.287.00 | 1    | Gruppo spillo galleggiante  |
| 7   | 623.316.00 | 1    | Vite spillo                 |
| 8   | 623.288.00 | 1    | Galleggiante                |
| 9   | 623.286.00 | 1    | Perno galleggiante          |
| 10  | 623.317.00 | 4    | Vite vaschetta              |
| 11  | 623.308.00 | 1    | Membrana pompa di ripresa   |
| 12  | 623.312.00 | 1    | Coperchio membrana          |
| 13  | 623.307.00 | 1    | Anello O-Ring               |
| 14  | 623.310.00 | 1    | Valvola membrana            |
| 15  | 623.315.00 | 1    | Spina vaschetta             |
| 16  | 623.311.00 | 1    | Guarnizione vaschetta       |
| 17  | 623.314.00 | 1    | Gommino vaschetta           |
| 18  | 623.318.00 | 1    | Vite membrana               |
| 19  | 623.319.00 | 1    | Vite membrana               |
| 20  | 623.320.00 | 1    | Anello O-Ring               |
| 21  | 623.296.00 | 1    | Guarnizione                 |
| 22  | 623.306.00 | 1    | Anello O-Ring               |
| 23  | 623.289.00 | 1    | Gruppo starter              |
| 24  | 760.071.00 | 1    | Collettore aspirazione Ø 27 |
| 25  | 749.292.00 | 2    | Dado collettore             |

| Nr. | Code       | Q.ty | Description          |
|-----|------------|------|----------------------|
| 1   | 623.303.00 | 1    | Idling screw set     |
| 2   | 923.304.00 | 4    | Screw                |
| 3   | 623.305.00 | 1    | Screw                |
| 4   | 623.309.00 | 1    | Diaphragm unit       |
| 5   | 623.313.00 | 8    | Screw                |
| 6   | 623.287.00 | 1    | Lower needle unit    |
| 7   | 623.316.00 | 1    | Screw                |
| 8   | 623.288.00 | 1    | Float                |
| 9   | 623.286.00 | 1    | Float pivot          |
| 10  | 623.317.00 | 4    | Screw                |
| 11  | 623.308.00 | 1    | Diaphragm            |
| 12  | 623.312.00 | 1    | Cover                |
| 13  | 623.307.00 | 1    | Seal ring            |
| 14  | 623.310.00 | 1    | Diaphragm valve      |
| 15  | 623.315.00 | 1    | Pin                  |
| 16  | 623.311.00 | 1    | Gasket               |
| 17  | 623.314.00 | 1    | Rubber grommet       |
| 18  | 623.318.00 | 1    | Screw                |
| 19  | 623.319.00 | 1    | Screw                |
| 20  | 623.320.00 | 1    | Seal ring            |
| 21  | 623.296.00 | 1    | Gasket               |
| 22  | 623.306.00 | 1    | Seal ring            |
| 23  | 623.289.00 | 1    | Starter unit         |
| 24  | 760.071.00 | 1    | Intake manifold Ø 27 |
| 25  | 749.292.00 | 2    | Nut                  |

**Carburatore  
Carburettor**


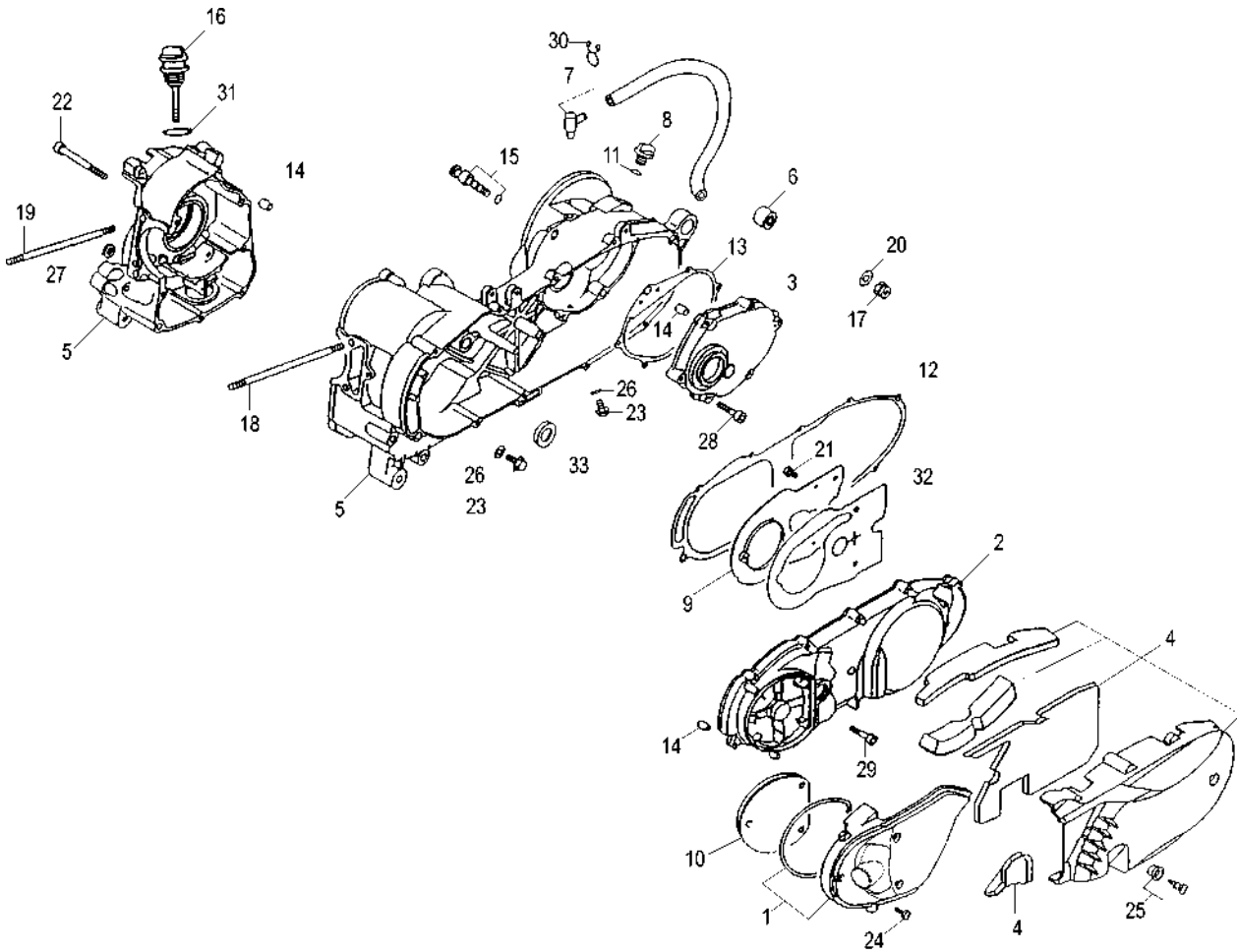
| Nr. | Codice     | Q.tà | Descrizione   |
|-----|------------|------|---|
| 26  | 623.297.00 | 1    | Piastrina starter   |
| 27  | 623.295.00 | 1    | Gruppo spillo conico  |
| 28  | 753.181.00 | 1    | Anello tenuta   |
| 29  | 623.293.00 | 1    | Membrana<br>fino al motore n° 3MS004334                         |
| 29  | 623.338.00 | 1    | Membrana<br>dal motore 3MS004335                                |
| 30  | 623.294.00 | 1    | Molla membrana  |
| 31  | 623.298.00 | 1    | Polverizzatore Ø 45   |
| 32  | 623.299.00 | 1    | Polverizzatore Ø 54   |
| 33  | 623.284.00 | 1    | Getto massimo Ø 112   |
| 34  | 623.285.00 | 1    | Getto minimo Ø 38   |
| 35  | 623.300.00 | 1    | Tappo interno   |
| 36  | 623.290.00 | 1    | Tubo aria   |
| 37  | 623.292.00 | 1    | Tubo drenaggio  |
| 38  | 623.291.00 | 1    | Tubo aria   |
| 39  | 623.301.00 | 1    | Fascetta  |
| 40  | 623.302.00 | 1    | Guida tubo  |
| 41  | 749.266.00 | 2    | Vite collettore   |
| 42  | 623.334.00 | 1    | Vaschetta   |
| --  | 715.108.00 | 1    | Carburatore completo T.K. - Ø 28<br>fino al motore n° 3MS004334 |
| --  | 715.113.00 | 1    | Carburatore completo T.K. - Ø 28<br>dal motore n° 3MS004335     |

| Nr. | Code       | Q.ty | Description  |
|-----|------------|------|--|
| 26  | 623.297.00 | 1    | Plate  |
| 27  | 623.295.00 | 1    | Needle valve unit  |
| 28  | 753.181.00 | 1    | Seal ring  |
| 29  | 623.293.00 | 1    | Diaphragm<br>to engine n° 3MS004334                      |
| 29  | 623.338.00 | 1    | Diaphragm<br>from engine n° 3MS004335                    |
| 30  | 623.294.00 | 1    | Spring   |
| 31  | 623.298.00 | 1    | Spray nozzle Ø 45  |
| 32  | 623.299.00 | 1    | Spray nozzle Ø 54  |
| 33  | 623.284.00 | 1    | Max jet Ø 112  |
| 34  | 623.285.00 | 1    | Idle jet Ø 38  |
| 35  | 623.300.00 | 1    | Plug   |
| 36  | 623.290.00 | 1    | Hose   |
| 37  | 623.292.00 | 1    | Hose   |
| 38  | 623.291.00 | 1    | Hose   |
| 39  | 623.301.00 | 1    | Clamp  |
| 40  | 623.302.00 | 1    | Hose clamp   |
| 41  | 749.266.00 | 2    | Screw  |
| 42  | 623.334.00 | 1    | Float chamber  |
| --  | 715.108.00 | 1    | T.K. - Ø 28 carburettor assy<br>to engine n° 3MS004334   |
| --  | 715.113.00 | 1    | T.K. - Ø 28 carburettor assy<br>from engine n° 3MS004335 |



| Nr. | Codice     | Q.tà | Descrizione                          |
|-----|------------|------|--------------------------------------|
| 1   | 721.090.00 | 1    | Convogliatore ventola completo       |
| 2   | 721.069.00 | 1    | Coperchio semicarter frizione        |
| 3   | 721.080.00 | 1    | Coperchio trasmissione               |
| 4   | 721.089.00 | 1    | Coperchio frizione completo          |
| 5   | 799.112.00 | 1    | Coppia carter frizione - volano      |
| 6   | 724.075.00 | 1    | Gommino silentblock carter           |
| 7   | 724.078.00 | 1    | Raccordo tubo sfiato olio            |
| 8   | 724.048.00 | 1    | Tappo alimentazione olio             |
| 9   | 726.047.00 | 1    | Piastra coperchio frizione           |
| 10  | 731.008.00 | 2    | Elemento filtrante convogliatore     |
| 11  | 753.105.00 | 1    | Anello tenuta tappo olio             |
| 12  | 753.180.00 | 1    | Guarnizione coperchio frizione       |
| 13  | 753.179.00 | 1    | Guarnizione coperchio trasmissione   |
| 14  | 756.090.00 | 10   | Grano riferimento                    |
| 15  | 756.102.00 | 1    | Tappo foro perno ceppi freno         |
| 16  | 724.071.00 | 1    | Tappo asta livello olio              |
| 17  | 749.203.00 | 1    | Dado coperchio trasmissione          |
| 18  | 749.235.00 | 2    | Prigioniero cilindro - testa L = 214 |
| 19  | 749.236.00 | 2    | Prigioniero cilindro - testa L = 190 |
| 20  | 749.205.00 | 1    | Rondella piana                       |
| 21  | 749.140.00 | 4    | Vite piastra frizione                |
| 22  | 749.241.00 | 8    | Vite carter volano                   |
| 23  | 749.242.00 | 2    | Vite carter frizione                 |
| 24  | 749.248.00 | 6    | Vite convogliatore                   |

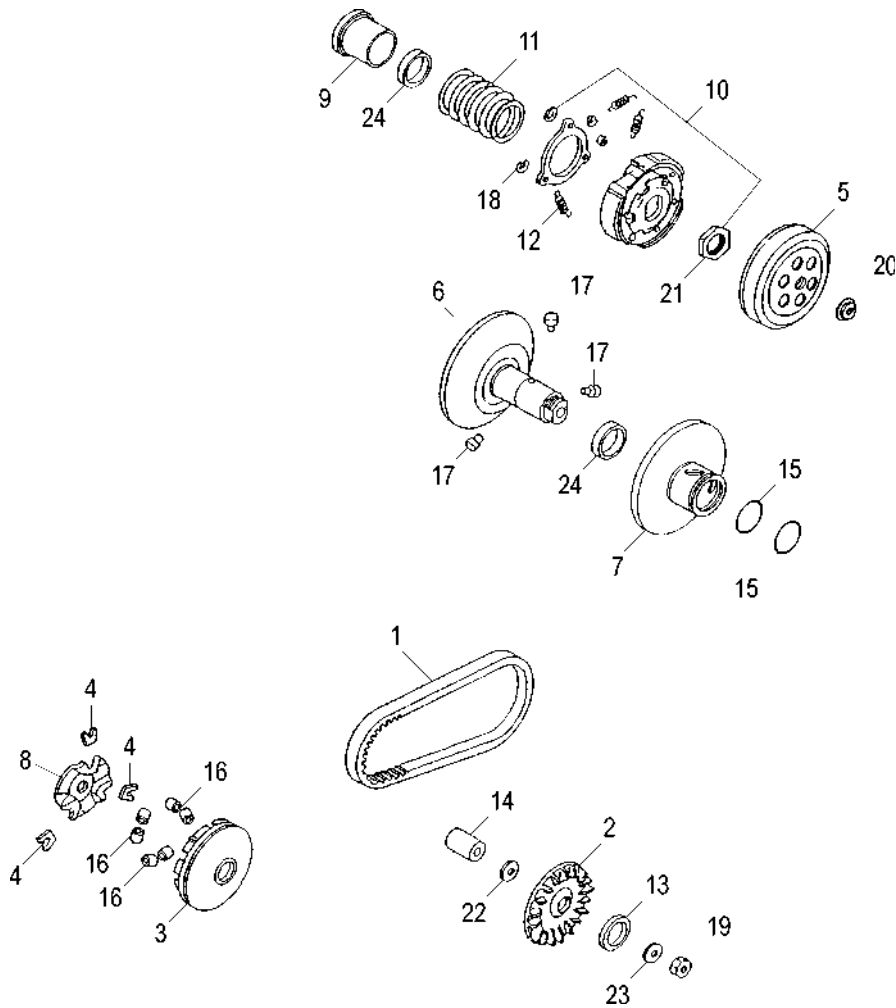
| Nr. | Code       | Q.ty | Description                     |
|-----|------------|------|---------------------------------|
| 1   | 721.090.00 | 1    | Fan cover assy                  |
| 2   | 721.069.00 | 1    | Clutch case cover               |
| 3   | 721.080.00 | 1    | Gear cover                      |
| 4   | 721.089.00 | 1    | Clutch cover assy               |
| 5   | 799.112.00 | 1    | Case set                        |
| 6   | 724.075.00 | 1    | Silentblock                     |
| 7   | 724.078.00 | 1    | Breather hose union             |
| 8   | 724.048.00 | 1    | Plug                            |
| 9   | 726.047.00 | 1    | Clutch cover plate              |
| 10  | 731.008.00 | 2    | Filter element                  |
| 11  | 753.105.00 | 1    | Seal ring                       |
| 12  | 753.180.00 | 1    | Clutch cover gasket             |
| 13  | 753.179.00 | 1    | Gear cover gasket               |
| 14  | 756.090.00 | 10   | Pin                             |
| 15  | 756.102.00 | 1    | Plug                            |
| 16  | 724.071.00 | 1    | Plug                            |
| 17  | 749.203.00 | 1    | Nut                             |
| 18  | 749.235.00 | 2    | Cylinder-head stud bolt L = 214 |
| 19  | 749.236.00 | 2    | Cylinder-head stud bolt L = 190 |
| 20  | 749.205.00 | 1    | Washer                          |
| 21  | 749.140.00 | 4    | Screw                           |
| 22  | 749.241.00 | 8    | Screw                           |
| 23  | 749.242.00 | 2    | Screw                           |
| 24  | 749.248.00 | 6    | Screw                           |



| Nr. | Codice     | Q.tà | Descrizione         |
|-----|------------|------|---------------------|
| 25  | 749.249.00 | 2    | Vite                |
| 26  | 749.254.00 | 2    | Rondella in acciaio |
| 27  | 749.255.00 | 6    | Rondella in rame    |
| 28  | 749.038.00 | 6    | Vite                |
| 29  | 749.039.00 | 11   | Vite                |
| 30  | 749.262.00 | 1    | Fascetta elastica   |
| 31  | 753.151.00 | 1    | Anello O.R.         |
| 32  | 753.164.00 | 1    | Guarnizione piastra |
| 33  | 753.153.00 | 1    | Paraolio            |

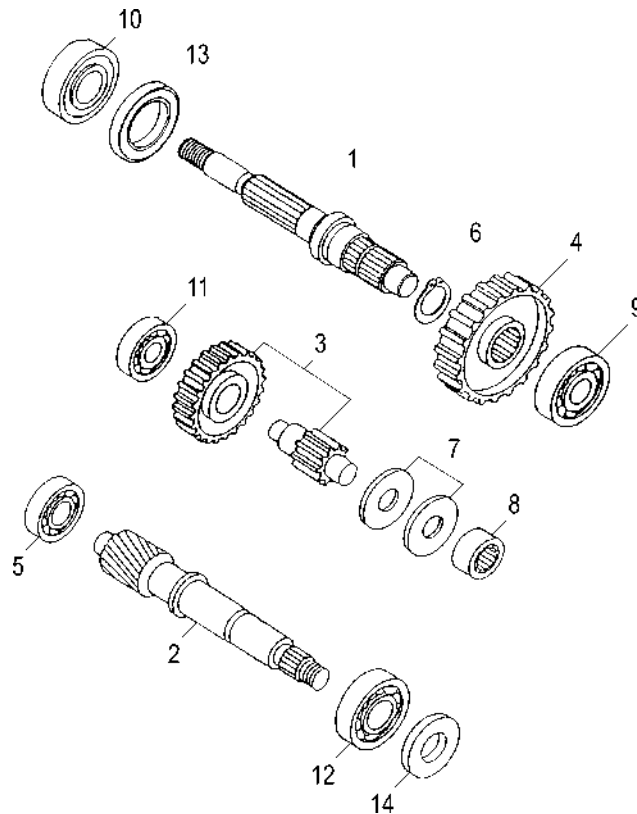
| Nr. | Code       | Q.ty | Description |
|-----|------------|------|-------------|
| 25  | 749.249.00 | 2    | Screw       |
| 26  | 749.254.00 | 2    | Washer      |
| 27  | 749.255.00 | 6    | Washer      |
| 28  | 749.038.00 | 6    | Screw       |
| 29  | 749.039.00 | 11   | Screw       |
| 30  | 749.262.00 | 1    | Clamp       |
| 31  | 753.151.00 | 1    | O Ring      |
| 32  | 753.164.00 | 1    | Gasket      |
| 33  | 753.153.00 | 1    | Oil seal    |





| Nr. | Codice     | Q.tà | Descrizione                              | Nr. | Code       | Q.ty | Description                         |
|-----|------------|------|--|-----|------------|------|-------------------------------------|
| 1   | 717.009.00 | 1    | Cinghia trasmissione                     | 1   | 717.009.00 | 1    | V-belt                              |
| 2   | 760.070.00 | 1    | Puleggia anteriore fissa                 | 2   | 760.070.00 | 1    | Fixed front pulley                  |
| 3   | 760.069.00 | 1    | Puleggia anteriore mobile                | 3   | 760.069.00 | 1    | Mobile front pulley                 |
| 4   | 724.068.00 | 3    | Tassello traino                          | 4   | 724.068.00 | 3    | Pin dowel                           |
| 5   | 726.056.00 | 1    | Campana frizione completa                | 5   | 726.056.00 | 1    | Clutch housing asy                  |
| 6   | 726.055.00 | 1    | Puleggia secondaria fissa                | 6   | 726.055.00 | 1    | Fixed secondary pulley              |
| 7   | 726.054.00 | 1    | Puleggia secondaria mobile               | 7   | 726.054.00 | 1    | Mobile secondary pulley             |
| 8   | 726.053.00 | 1    | Piastra traino puleggia anteriore mobile | 8   | 726.053.00 | 1    | Plate                               |
| 9   | 726.052.00 | 1    | Scodellino portamolla variatore          | 9   | 726.052.00 | 1    | Spring holder cup                   |
| 10  | 735.039.00 | 1    | Frizione centrifuga completa             | 10  | 735.039.00 | 1    | Clutch asy                          |
| 11  | 746.057.00 | 1    | Molla puleggia secondaria mobile         | 11  | 746.057.00 | 1    | Mobile secondary pulley spring      |
| 12  | 746.062.00 | 3    | Molla richiamo ceppi frizione            | 12  | 746.062.00 | 3    | Retainer spring                     |
| 13  | 751.070.00 | 1    | Distanziale puleggia anteriore           | 13  | 751.070.00 | 1    | Spacer                              |
| 14  | 751.071.00 | 1    | Boccola puleggia anteriore mobile        | 14  | 751.071.00 | 1    | Bush                                |
| 15  | 753.137.00 | 2    | Anello tenuta puleggia secondaria        | 15  | 753.137.00 | 2    | Seal ring                           |
| 16  | 756.100.00 | 6    | Massa centrifuga                         | 16  | 756.100.00 | 6    | Weight rollers                      |
| 17  | 756.109.00 | 3    | Rullino guida variatore                  | 17  | 756.109.00 | 3    | Set of variable speed drive rollers |
| 18  | 703.031.00 | 3    | Anello seeger                            | 18  | 703.031.00 | 3    | Seeger ring                         |
| 19  | 749.291.00 | 1    | Dado puleggia anteriore                  | 19  | 749.291.00 | 1    | Nut                                 |
| 20  | 749.230.00 | 1    | Dado campana frizione                    | 20  | 749.230.00 | 1    | Nut                                 |
| 21  | 749.231.00 | 1    | Dado frizione                            | 21  | 749.231.00 | 1    | Nut                                 |
| 22  | 749.268.00 | 1    | Rondella in acciaio                      | 22  | 749.268.00 | 1    | Washer                              |
| 23  | 749.250.00 | 1    | Rondella conica                          | 23  | 749.250.00 | 1    | Washer                              |
| 24  | 753.245.00 | 2    | Paraolio frizione                        | 24  | 753.245.00 | 2    | Seal ring                           |
| --  | 740.180.00 | 1    | Gruppo variatore con frizione            | --  | 740.180.00 | 1    | Variable speed drive asy            |



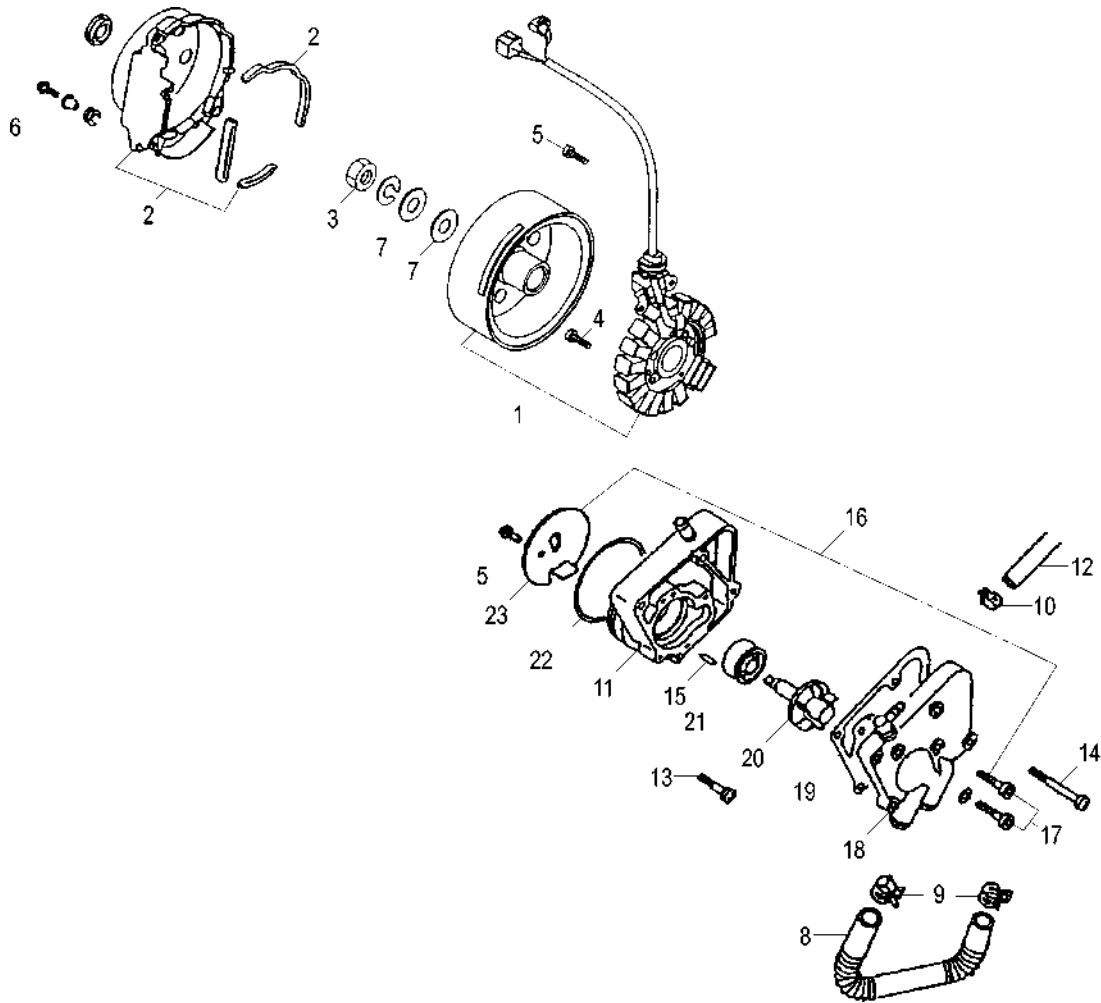


| Nr. | Codice | Q.tà | Descrizione |
|-----|--------|------|-------------|
|-----|--------|------|-------------|

|    |            |   |   |
|----|------------|---|---|
| 1  | 701.059.00 | 1 | Albero uscita moto                      |
| 2  | 701.060.00 | 1 | Albero trasmissione Z = 15              |
| 3  | 740.148.00 | 1 | Ingranaggio doppio intermedio Z = 12/40 |
| 4  | 740.178.00 | 1 | Ingranaggio uscita moto Z = 44          |
| 5  | 603.227.00 | 1 | Cuscinetto albero trasmissione          |
| 6  | 703.033.00 | 1 | Anello seeger                           |
| 7  | 749.289.00 | 2 | Rondella in acciaio                     |
| 8  | 751.075.00 | 1 | Cuscinetto ingranaggio doppio           |
| 9  | 751.076.00 | 1 | Cuscinetto albero uscita moto           |
| 10 | 751.077.00 | 1 | Cuscinetto albero uscita moto           |
| 11 | 751.078.00 | 1 | Cuscinetto ingranaggio doppio           |
| 12 | 751.082.00 | 1 | Cuscinetto albero trasmissione          |
| 13 | 753.154.00 | 1 | Paraolio albero uscita moto             |
| 14 | 753.165.00 | 1 | Paraolio albero trasmissione            |

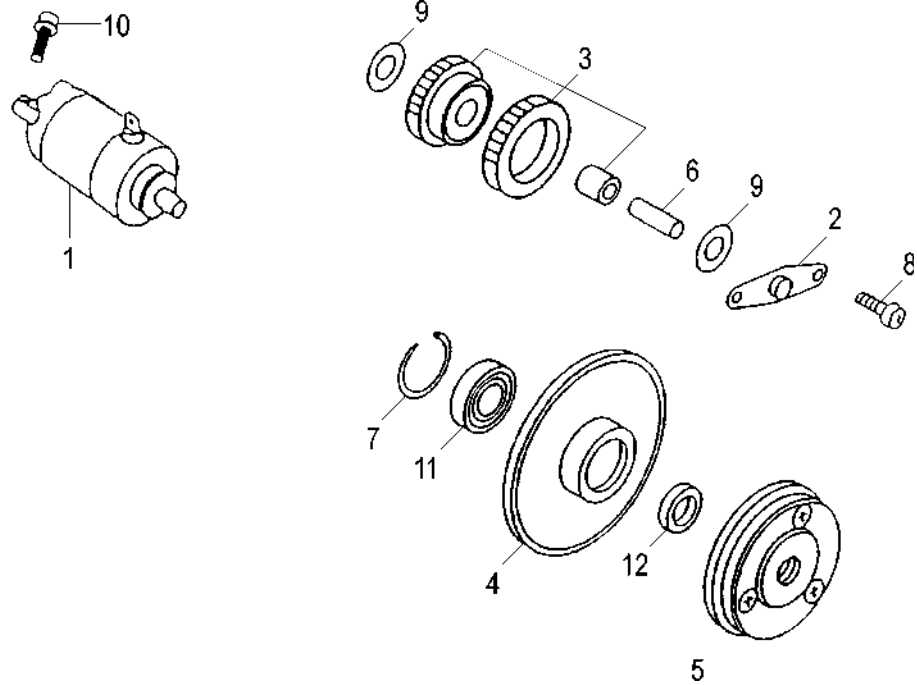
| Nr. | Code | Q.ty | Description |
|-----|------|------|-------------|
|-----|------|------|-------------|

|    |            |   |                          |
|----|------------|---|--------------------------|
| 1  | 701.059.00 | 1 | Drive shaft assy         |
| 2  | 701.060.00 | 1 | Gear shaft Z = 15        |
| 3  | 740.148.00 | 1 | Idle gear assy Z = 12/40 |
| 4  | 740.178.00 | 1 | Drive gear Z = 44        |
| 5  | 603.227.00 | 1 | Bearing                  |
| 6  | 703.033.00 | 1 | Seeger ring              |
| 7  | 749.289.00 | 2 | Washer                   |
| 8  | 751.075.00 | 1 | Bearing                  |
| 9  | 751.076.00 | 1 | Bearing                  |
| 10 | 751.077.00 | 1 | Bearing                  |
| 11 | 751.078.00 | 1 | Bearing                  |
| 12 | 751.082.00 | 1 | Bearing                  |
| 13 | 753.154.00 | 1 | Drive shaft oil seal     |
| 14 | 753.165.00 | 1 | Gear shaft oil seal      |



| Nr. | Codice     | Q.tà | Descrizione                          |
|-----|------------|------|--------------------------------------|
| 1   | 782.019.00 | 1    | Volano magnete                       |
| 2   | 721.071.00 | 1    | Coperchio lato volano completo       |
| 3   | 749.233.00 | 1    | Dado volano                          |
| 4   | 749.290.00 | 3    | Vite statore                         |
| 5   | 749.140.00 | 4    | Vite pick-up                         |
| 6   | 749.248.00 | 6    | Vite coperchio lato volano           |
| 7   | 749.252.00 | 2    | Rondella in lamiera                  |
| 8   | 724.069.00 | 1    | Tubo acqua pompa - cilindro          |
| 9   | 749.224.00 | 2    | Fascetta tubo pompa acqua - cilindro |
| 10  | 749.225.00 | 2    | Fascetta elastica                    |
| 11  | 760.073.00 | 1    | Corpo pompa acqua                    |
| 12  | 724.070.00 | 1    | Tubo termostato                      |
| 13  | 749.156.00 | 4    | Vite pompa acqua                     |
| 14  | 749.247.00 | 2    | Vite pompa acqua                     |
| 15  | 756.038.00 | 2    | Rullo riferimento                    |
| 16  | 760.067.00 | 1    | Pompa acqua completa                 |
| 17  | 749.068.00 | 7    | Vite pompa acqua                     |
| 18  | 721.088.00 | 1    | Coperchio pompa acqua                |
| 19  | 753.176.00 | 1    | Guarnizione pompa acqua              |
| 20  | 760.068.00 | 1    | Girante pompa acqua                  |
| 21  | 753.177.00 | 1    | Paraolio pompa acqua                 |
| 22  | 753.178.00 | 1    | Anello tenuta acqua                  |
| 23  | 726.051.00 | 1    | Piastra pompa acqua                  |

| Nr. | Code       | Q.ty | Description          |
|-----|------------|------|----------------------|
| 1   | 782.019.00 | 1    | Magneto flywheel     |
| 2   | 721.071.00 | 1    | Flywheel case assy   |
| 3   | 749.233.00 | 1    | Nut                  |
| 4   | 749.290.00 | 3    | Screw                |
| 5   | 749.140.00 | 4    | Screw                |
| 6   | 749.248.00 | 6    | Screw                |
| 7   | 749.252.00 | 2    | Washer               |
| 8   | 724.069.00 | 1    | Hose (pump/cylinder) |
| 9   | 749.224.00 | 2    | Hose clamp           |
| 10  | 749.225.00 | 2    | Clamp                |
| 11  | 760.073.00 | 1    | Water pump body      |
| 12  | 724.070.00 | 1    | Thermo-switch hose   |
| 13  | 749.156.00 | 4    | Screw                |
| 14  | 749.247.00 | 2    | Screw                |
| 15  | 756.038.00 | 2    | Pin                  |
| 16  | 760.067.00 | 1    | Water pump assy      |
| 17  | 749.068.00 | 7    | Screw                |
| 18  | 721.088.00 | 1    | Water pump cover     |
| 19  | 753.176.00 | 1    | Water pump gasket    |
| 20  | 760.068.00 | 1    | Water pump impeller  |
| 21  | 753.177.00 | 1    | Oil seal             |
| 22  | 753.178.00 | 1    | Seal ring            |
| 23  | 726.051.00 | 1    | Plate                |



| Nr. | Codice     | Q.tà | Descrizione                           |
|-----|------------|------|---------------------------------------|
| 1   | 748.004.00 | 1    | Motorino avviamento                   |
| 2   | 726.050.00 | 1    | Piastra ingranaggio doppio intermedio |
| 3   | 740.179.00 | 1    | Ingranaggio doppio intermedio         |
| 4   | 740.175.00 | 1    | Ingranaggio ruota libera              |
| 5   | 740.176.00 | 1    | Ruota libera completa                 |
| 6   | 756.092.00 | 1    | Perno supporto intermedio             |
| 7   | 703.032.00 | 1    | Anello seeger cuscinetto              |
| 8   | 749.140.00 | 4    | Vite piastra ingranaggio doppio       |
| 9   | 749.251.00 | 2    | Rondella in acciaio                   |
| 10  | 749.266.00 | 4    | Vite motorino avviamento              |
| 11  | 751.072.00 | 1    | Cuscinetto ruota libera               |
| 12  | 751.080.00 | 1    | Distanziale ingranaggio doppio        |

| Nr. | Code       | Q.ty | Description        |
|-----|------------|------|--------------------|
| 1   | 748.004.00 | 1    | Starter motor assy |
| 2   | 726.050.00 | 1    | Plate              |
| 3   | 740.179.00 | 1    | Idle gear assy     |
| 4   | 740.175.00 | 1    | Free wheel gear    |
| 5   | 740.176.00 | 1    | Free wheel assy    |
| 6   | 756.092.00 | 1    | Pin                |
| 7   | 703.032.00 | 1    | Seeger ring        |
| 8   | 749.140.00 | 4    | Screw              |
| 9   | 749.251.00 | 2    | Washer             |
| 10  | 749.266.00 | 4    | Screw              |
| 11  | 751.072.00 | 1    | Bearing            |
| 12  | 751.080.00 | 1    | Spacer             |