

## Radial RCS Brake M/C

**Code 110A26345** (Right Side)

**Code 110A26365** (Left Side)



### Technical Characteristics • Caratteristiche Tecniche

<i>Pistons / Pistoni Ø</i>	14 mm.
<i>Distance Center to Center / Interesse Leva</i>	18 / 20 mm. (Adjustable)
<i>Construction Material / Materiale</i>	Forged Aluminium / Alluminio Forgiato
<i>Finishing / Finissaggio</i>	Hard Anodizing / Anodizzazione Dura
<i>Weight / Massa</i>	350 gr.
<i>Brake Fluid / Fluido Freni</i>	DOT 4

### Spare Parts • Ricambi

*Right Lever (Complete) for 14 RCS /  
Leva Completa DX per 14 RCS*  
**110A26399**

*Left Lever (Complete) for 14 RCS /  
Leva Completa SX per 14 RCS*  
**110A26395**

*Right Half Lever for 14 RCS / Mezza Leva DX per 14 RCS*  
**110A26398**

*Left Half Lever for 14 RCS / Mezza Leva SX per 14 RCS*  
**110A26394**

*Right Half Short Lever for 14 RCS /  
Mezza Leva DX Corta per 14 RCS*  
**110A26396**

*Left Half Short Lever for 14 RCS /  
Mezza Leva SX Corta per 14 RCS*  
**110A26392**

*Handlebar Clamp / Cavallotto*  
**110A26388**

*Rubber Cup and Sticker (flag) /  
Tappo in Gomma e Adesivo (bandierina)*  
**110A26389**

*Bleeding Screw / Vite Spurgo*  
**05338763**

*Bleeding Screw Cover / Cappuccio Spurgo*  
**05150210**

*Lever Pivot / Perno Leva*  
**110459291**

*Oil Reservoir Connection / Raccordo Serbatoio*  
**10312720**

*Micro Switch*  
**110467195**

*Lever Adj. (with blade) / Reg. Leva (con molletta)*  
**110A26377**

## RCS Master Cylinder Accessories



5

### RCS Accessories • Accessori RCS

*"Low drag" Right Lever / Leva Freno DX con Intaglio*  
**110A26378**

*"Low drag" Left Lever / Leva Freno SX con Intaglio*  
**110A26379**

*Right clamp with M8x1,25 mirror fitting / Cavallotto Destro Porta Specchio M8x1,25*  
**110A26380**

*Left clamp with M8x1,25 mirror fitting / Cavallotto Sinistro Porta Specchio M8x1,25*  
**110A26380**

*Remote Adjuster*  
**110A26384**

*Reservoir Kit 45 cc. / Kit Serbatoio 45 cc.*  
**110A26385**

*Reservoir Kit 15 cc. / Kit Serbatoio 15 cc.*  
**110A26387**

*CNC Clamp (red logo) / Cavallotto CNC (logo rosso)*  
**110A26387**

*Right Clamp with M10x1,25 Mirror Fitting / Cavallotto DX Porta Specchio M10x1,25*  
**110A26390**

*Left Clamp with M10x1,25 Mirror Fitting / Cavallotto SX Porta Specchio M10x1,25*  
**110A26391**

## CNC Caliper Kit YAMAHA T-MAX Code 220B76510

### Spare Parts • Ricambi

Spindle / Perno

120384081

Bleeding Screw / Vite spurgo

05281213

Pin / Copiglia

105454221

Bleeding screw cover / Cappuccio spurgo

05150210

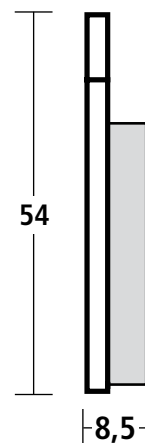
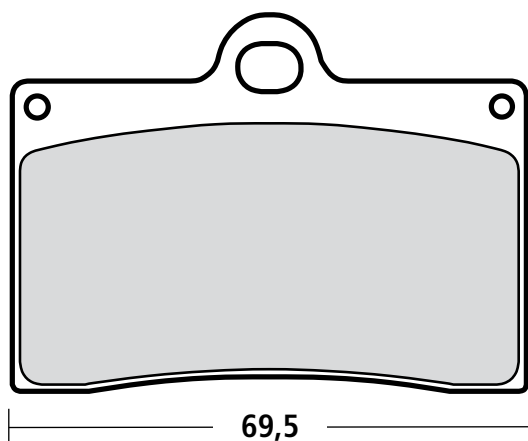


### Technical Characteristics • Caratteristiche Tecniche

Pistons / Pistoni	30 / 34 mm.
Construction Material / Materiale	CNC Aluminium / Alluminio CNC
Finishing / Finissaggio	Hard Anodizing / Anodizzazione Dura
Weight (without pads) / Peso (senza pastiglie)	580 gr. No Staffa
Brake Fluid / Fluido Freni	DOT 4
Hardware / Viteria	Steel / Acciaio
Pistons / Pistoni	Aluminium / Alluminio
Center to Center / Interasse	40 mm.
Offset / Offset	26,5 mm.

CNC bracket black hard anodized with Brembo Racing laser marked logo.

Staffa CNC anodizzata nero con logo Brembo Racing laserato.



### Pads • Pastiglie

Code	Performance	Life
07BB1535	•	•
Genuine		
07BB15RC	+	•
RC Compound		
M538Z04	++	+
Z04 Compound		

#### Note

To be used with original brake disc.  
Original brake MIC has to be replaced  
with Brembo PS16 or radial Ø 19.

#### Nota

Si monta con disco originale.  
Richiede la sostituzione della pompa freno  
orig. con pompa Brembo PS16 o radiale Ø 19.

## Cast Caliper Kit YAMAHA T-MAX Code 220B76610

### Spare Parts • Ricambi

Spindle / Perno

**120320433**

Bleeding Screw / Vite spurgo

**105338760**

Pin / Copiglia

**105454221**

Spring / Molletta

**120419685**

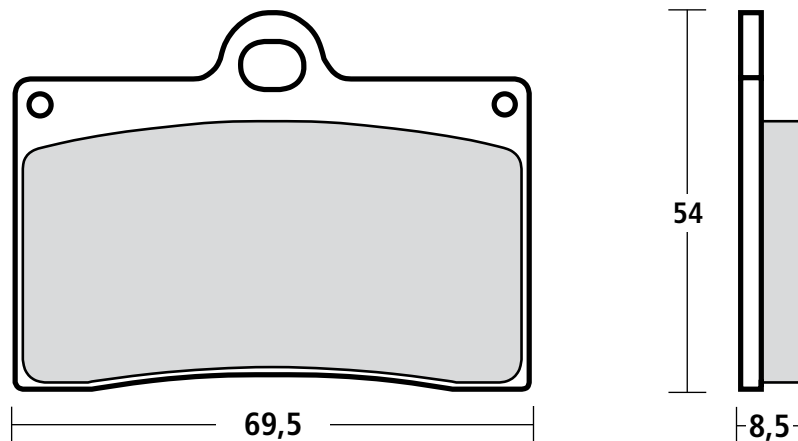


Bleeding screw cover / Cappuccio spurgo  
**05150210**

### Technical Characteristics • Caratteristiche Tecniche

Pistons / Pistoni	30 / 34 mm.
Construction Material / Materiale	Casting Aluminium / Alluminio
Finishing / Finissaggio	Anodizing / Anodizzazione
Weight (without pads) / Peso (senza pastiglie)	700 gr. No Staffa
Brake Fluid / Fluido Freni	DOT 4
Hardware / Viteria	Steel / Acciaio
Pistons / Pistoni	Aluminium / Alluminio
Center to Center / Interasse	40 mm.
Offset / Offset	26,5 mm.

CNC bracket black hard anodized with Brembo Racing laser marked logo.  
Staffa CNC anodizzata nero con logo Brembo Racing laserato.



### Pads • Pastiglie

Code	Performance	Life
<b>07BB1535</b> Genuine	•	•
<b>07BB15RC</b> RC Compound	+	•
<b>M538Z04</b> Z04 Compound	++	+

#### Note

To be used with original brake disc.  
Original brake MIC has to be replaced  
with Brembo PS16 or radial Ø 19.

#### Nota

Si monta con disco originale.  
Richiede la sostituzione della pompa freno  
orig. con pompa Brembo PS16 o radiale Ø 19.